



US00D840118S

(12) **United States Design Patent** (10) **Patent No.:** **US D840,118 S**
Fan (45) **Date of Patent:** **** Feb. 5, 2019**

(54) **PIPE DREDGE**

(71) Applicant: **SHANGHAI KUNJEK HANDTOOLS AND HARDWARE CO., LTD,**
Shanghai (CN)

(72) Inventor: **Yeyi Fan,** Shanghai (CN)

(73) Assignee: **Shanghai Kunjek Handtools and Hardware Co., Ltd.,** Shanghai (CN)

(**) Term: **15 Years**

(21) Appl. No.: **29/615,586**

(22) Filed: **Aug. 30, 2017**

(30) **Foreign Application Priority Data**

Mar. 3, 2017 (CN) 2017 3 0059389

(51) **LOC (11) Cl.** **15-05**

(52) **U.S. Cl.**
USPC **D32/14**

(58) **Field of Classification Search**
USPC D32/1, 14, 25, 34, 35; D23/223, 224;
D6/524; D28/7; 4/255.05, 255.01,
4/255.12, 255.09, 255.11; 15/406,
15/104.05, 104.31, 104.32, 104.33;
D8/51, 70

CPC .. E03D 9/00; E03C 1/30; E03C 1/308; A47K
11/10; E03F 9/005; B08B 9/045

See application file for complete search history.

(56) **References Cited**

U.S. PATENT DOCUMENTS

D189,445 S * 12/1960 Levine D32/14
D312,713 S * 12/1990 Levine D32/14
D339,431 S * 9/1993 Meyer D32/14
6,158,076 A * 12/2000 Rutkowski E03F 9/005
15/104.31
6,615,436 B1 * 9/2003 Burch, Jr. B08B 9/045
15/104.05

D650,954 S * 12/2011 Patterson D32/14
D670,874 S * 11/2012 Hohl D32/14
8,434,186 B2 * 5/2013 Wildauer E03F 9/005
15/104.33
2014/0223679 A1 * 8/2014 Silverman E03F 9/005
15/104.09

FOREIGN PATENT DOCUMENTS

CA 146143 * 6/2018
CA 176144 * 6/2018

(Continued)

OTHER PUBLICATIONS

How to Use a AMTECH Drain and Pipe Cleaner posted by AMTECH DIY posted date Jun. 24, 2016, © YouTube, [online], [site visited Nov. 1, 2018]. Available from Internet, https://www.youtube.com/watch?v=V_2BeRigokY (Year: 2016).*

(Continued)

Primary Examiner — Cynthia Ramirez

Assistant Examiner — Laura H Yu

(74) *Attorney, Agent, or Firm* — Muncy, Geissler, Olds & Lowe, P.C.

(57) **CLAIM**

The ornamental design for a pipe dredge, as shown and described.

DESCRIPTION

FIG. 1 is a perspective view of a pipe dredge showing my new design;

FIG. 2 is a front elevational view thereof;

FIG. 3 is a rear elevational view thereof;

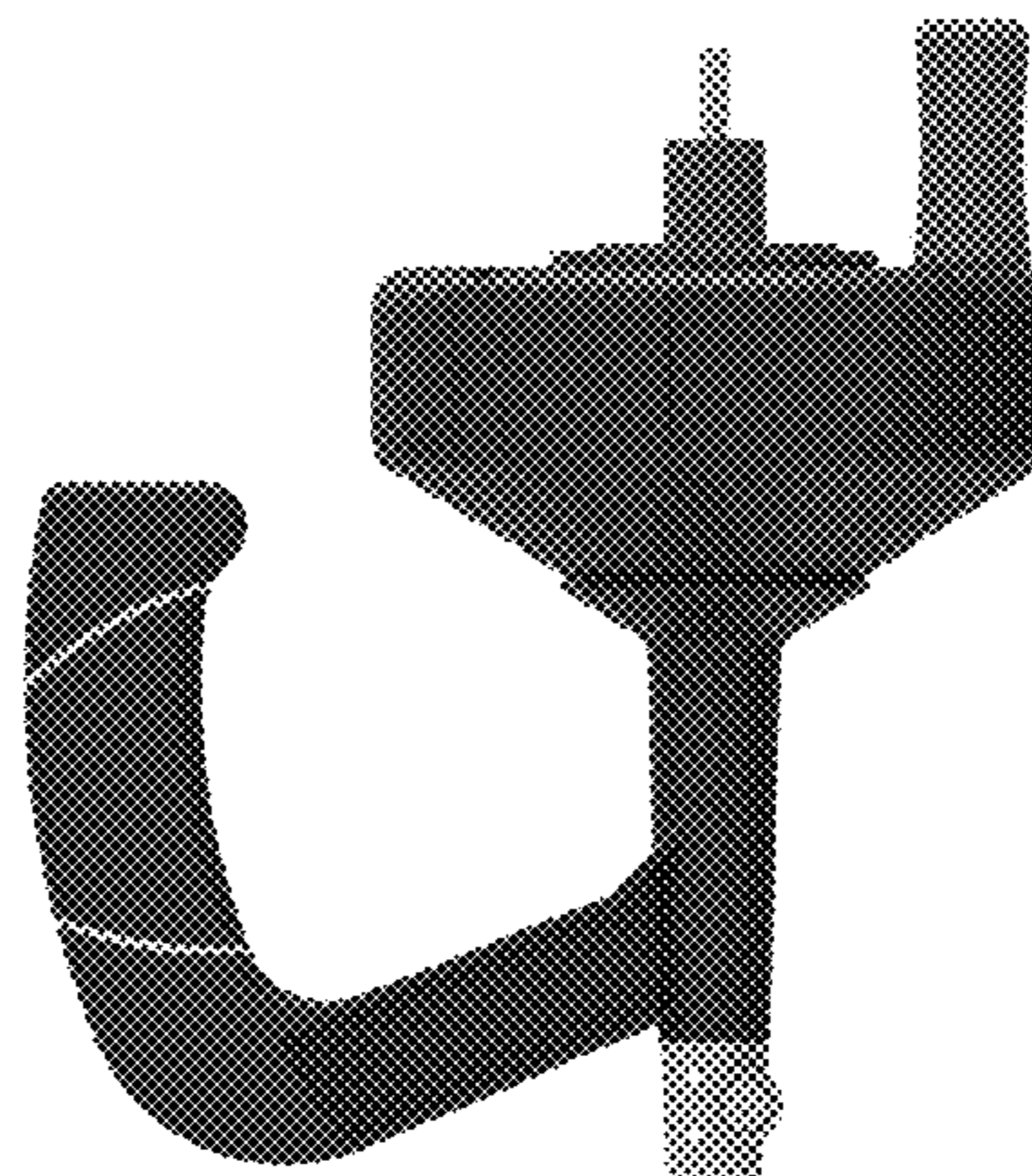
FIG. 4 is a left side view thereof;

FIG. 5 is a right side view thereof;

FIG. 6 is a top plan view thereof; and,

FIG. 7 is a bottom plan view thereof.

1 Claim, 7 Drawing Sheets



(56)

References Cited

FOREIGN PATENT DOCUMENTS

CN	304226633	*	8/2017
CN	304291055	*	9/2017

OTHER PUBLICATIONS

Power Drum Auger posted by Husky posted date Jan. 18, 2018, © Amazon [online], [site visited Nov. 7, 2018]. Available from Internet, <https://www.amazon.com/Husky-ft-Power-Drum-Auger> (Year: 2018).*

* cited by examiner



FIG. 1



FIG. 2



FIG. 3



FIG. 4



FIG. 5



FIG. 6

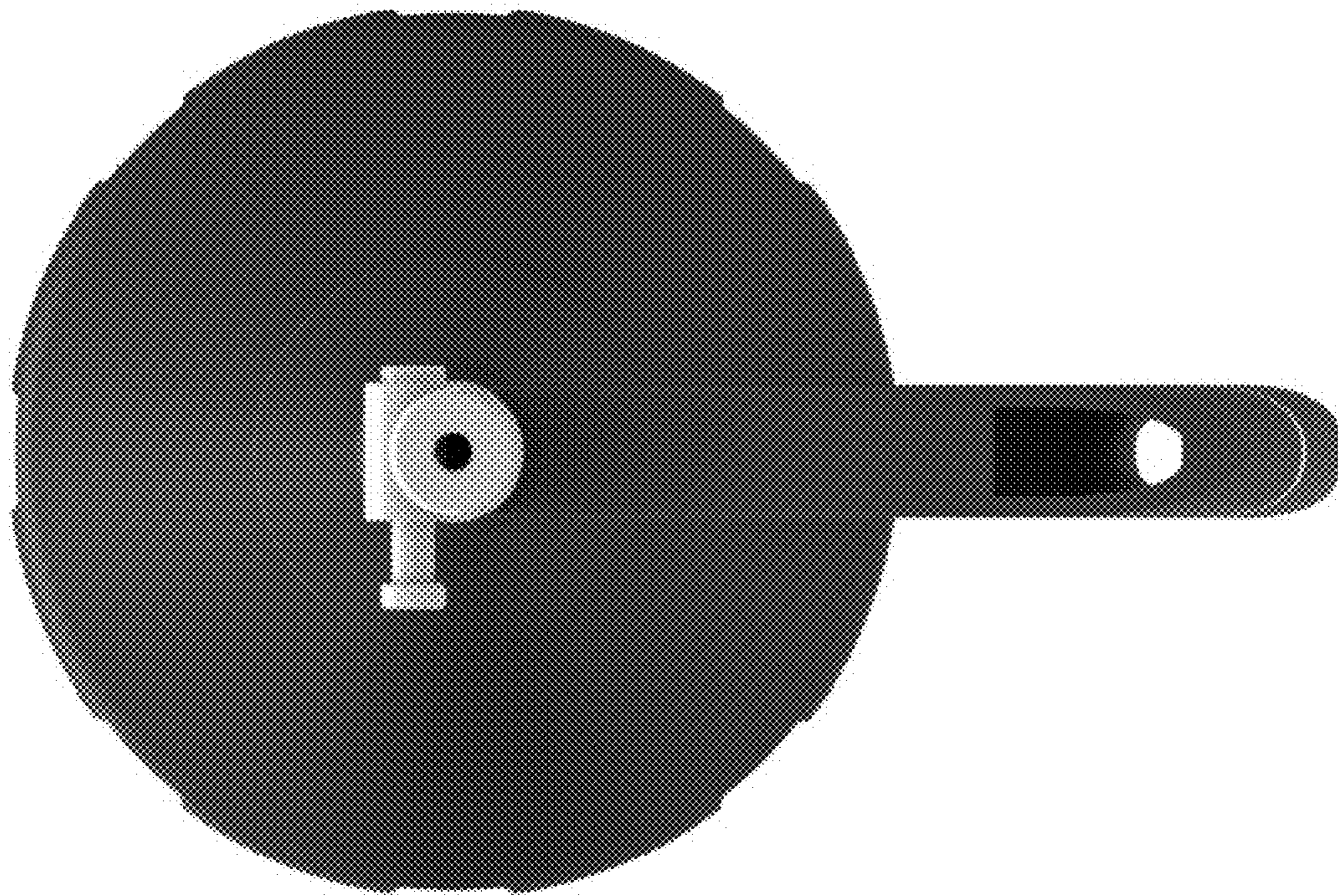


FIG. 7