



US00D840117S

(12) **United States Design Patent** (10) **Patent No.:** **US D840,117 S**  
**Haft et al.** (45) **Date of Patent:** **\*\* Feb. 5, 2019**

(54) **DISHWASHER WATER SOFTENER CAP**  
 (71) Applicant: **Wolf Appliance, Inc.**, Fitchburg, WI (US)  
 (72) Inventors: **Thomas Haft**, Madison, WI (US); **Joel Andrew Schmidt**, Oregon, WI (US); **Jacob Tyler Riggs**, Oregon, WI (US); **L Tuck Foree, Jr.**, Waunakee, WI (US)

5,924,433 A \* 7/1999 Thies ..... A47L 15/4246  
 134/179  
 D461,284 S 8/2002 Hegeman  
 RE37,831 E \* 9/2002 Thies ..... A47L 15/4204  
 134/10  
 D561,413 S \* 2/2008 Song ..... D32/3  
 D564,141 S \* 3/2008 Gaa ..... D32/3  
 D564,142 S \* 3/2008 Gaa ..... D32/3  
 D601,766 S \* 10/2009 Gaa ..... D32/3

(Continued)

(73) Assignee: **WOLF APPLIANCE, INC.**, Fitchburg, WI (US)

*Primary Examiner* — Michelle E. Wilson  
 (74) *Attorney, Agent, or Firm* — Bell & Manning, LLC

(\*\*) Term: **15 Years**

(57) **CLAIM**

We claim the ornamental design for a dishwasher water softener cap, as shown and described.

(21) Appl. No.: **29/578,754**

**DESCRIPTION**

(22) Filed: **Sep. 23, 2016**  
 (51) **LOC (11) Cl.** ..... **15-05**  
 (52) **U.S. Cl.**  
 USPC ..... **D32/3**  
 (58) **Field of Classification Search**  
 USPC ..... D32/1-3, 25-27; D23/213, 218, 221  
 CPC .. A47L 15/00; A47L 15/0002; A47L 15/0005;  
 A47L 15/0007; A47L 15/0015; A47L  
 15/0023  
 See application file for complete search history.

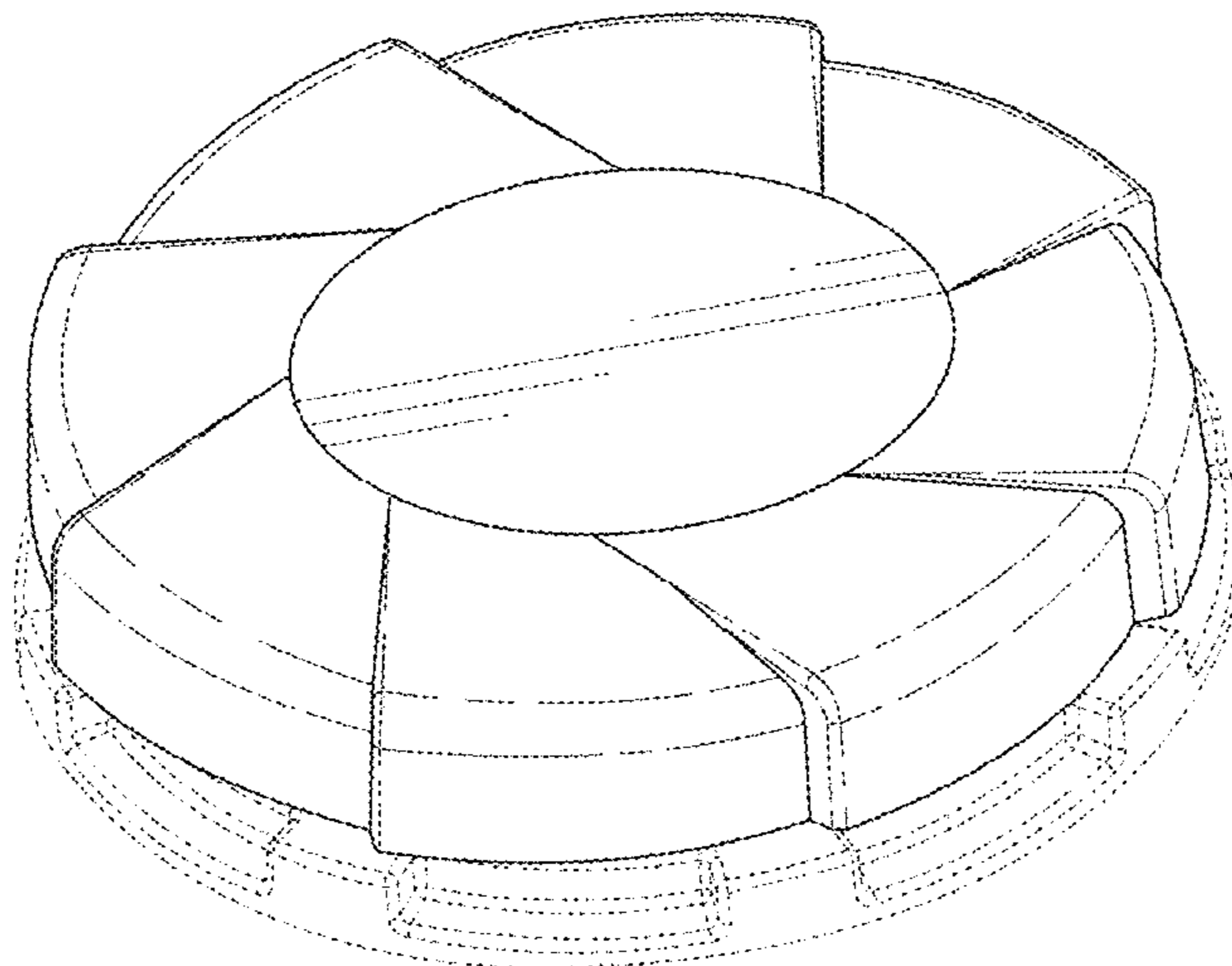
FIG. 1 is a front perspective view of a dishwasher water softener cap shown in its environment of a dishwasher;  
 FIG. 2 is a front, right perspective view of the dishwasher water softener cap of FIG. 1;  
 FIG. 3 is a front elevation view of the dishwasher water softener cap of FIG. 2;  
 FIG. 4 is a back elevation view of the dishwasher water softener cap of FIG. 2;  
 FIG. 5 is a right elevation view of the dishwasher water softener cap of FIG. 2;  
 FIG. 6 is a left elevation view of the dishwasher water softener cap of FIG. 2;  
 FIG. 7 is a top plan view of the dishwasher water softener cap of FIG. 2; and,  
 FIG. 8 is a bottom plan view of the dishwasher water softener cap of FIG. 2.  
 The broken lines in FIGS. 1 and 2 form no part of the claimed design. FIGS. 2-8 show the dishwasher water softener cap enlarged relative to that shown in FIG. 1 with the dishwasher water softener cap in its environment.

(56) **References Cited**

**U.S. PATENT DOCUMENTS**

2,380,090 A \* 7/1945 Wallace ..... A47L 15/23  
 239/231  
 2,905,393 A 9/1959 Federighi et al.  
 3,035,706 A 5/1962 Burke  
 D197,026 S 12/1963 Jellies et al.  
 4,359,250 A \* 11/1982 Jenkins ..... A47L 15/4246  
 312/228  
 D314,255 S \* 1/1991 Brito ..... D32/3  
 5,299,586 A \* 4/1994 Jordan ..... A47L 15/4225  
 134/111

**1 Claim, 5 Drawing Sheets**



(56)

**References Cited**

## U.S. PATENT DOCUMENTS

D608,960	S	*	1/2010	Gaa	.....	D32/3
D675,386	S	*	1/2013	Burrows	.....	D32/3
D675,387	S	*	1/2013	Burrows	.....	D32/3
D718,007	S		11/2014	Baldwin et al.		
D720,509	S		12/2014	Baldwin et al.		
D748,352	S		1/2016	Baldwin et al.		
D761,500	S	*	7/2016	Feddema	.....	D32/3
D776,372	S		1/2017	Haft et al.		
D799,763	S	*	10/2017	Haft	.....	D32/3
D799,764	S	*	10/2017	Haft	.....	D32/3
D799,765	S	*	10/2017	Haft	.....	D32/3
D799,766	S	*	10/2017	Haft	.....	D32/3
D800,398	S	*	10/2017	Haft	.....	D32/3
2004/0163680	A1		8/2004	Elick et al.		
2004/0200507	A1	*	10/2004	Williams	.....	A47L 15/4246 134/25.2
2006/0005863	A1		1/2006	Gurubatham et al.		
2006/0060228	A1		3/2006	Yoon et al.		
2008/0072934	A1		3/2008	Pyo et al.		
2008/0149148	A1		6/2008	Woo et al.		
2010/0006125	A1		1/2010	Kim		
2010/0012160	A1		1/2010	Jeong et al.		
2011/0226289	A1		9/2011	Förster		
2012/0186609	A1		7/2012	Haltmayer et al.		
2013/0056029	A1		3/2013	Boyer et al.		
2013/0220386	A1		8/2013	Jozwiak		
2014/0158168	A1		6/2014	Thiyagarajan		
2015/0000714	A1		1/2015	Yoo et al.		
2015/0352472	A1		12/2015	Haft et al.		

\* cited by examiner

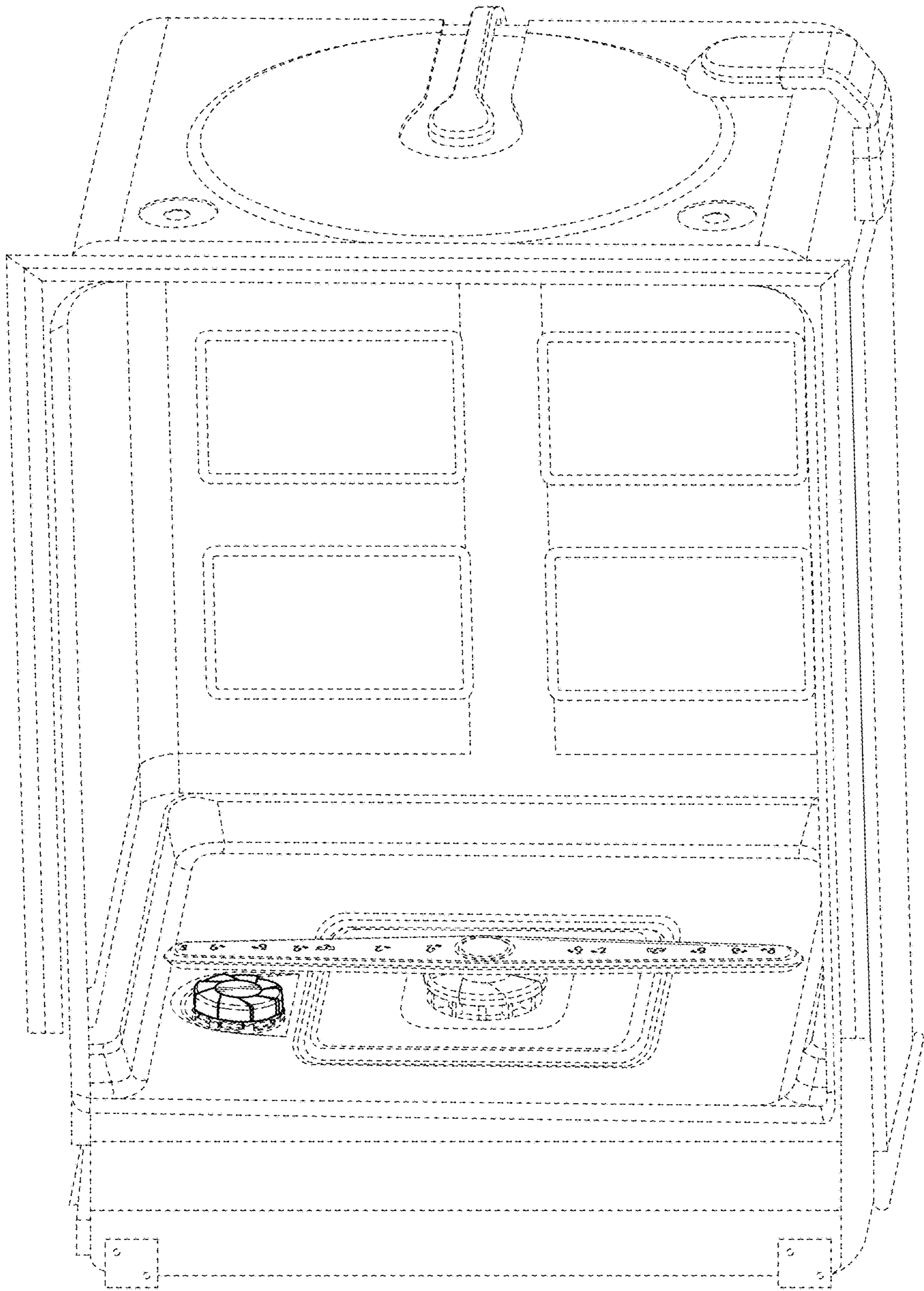


FIG. 1

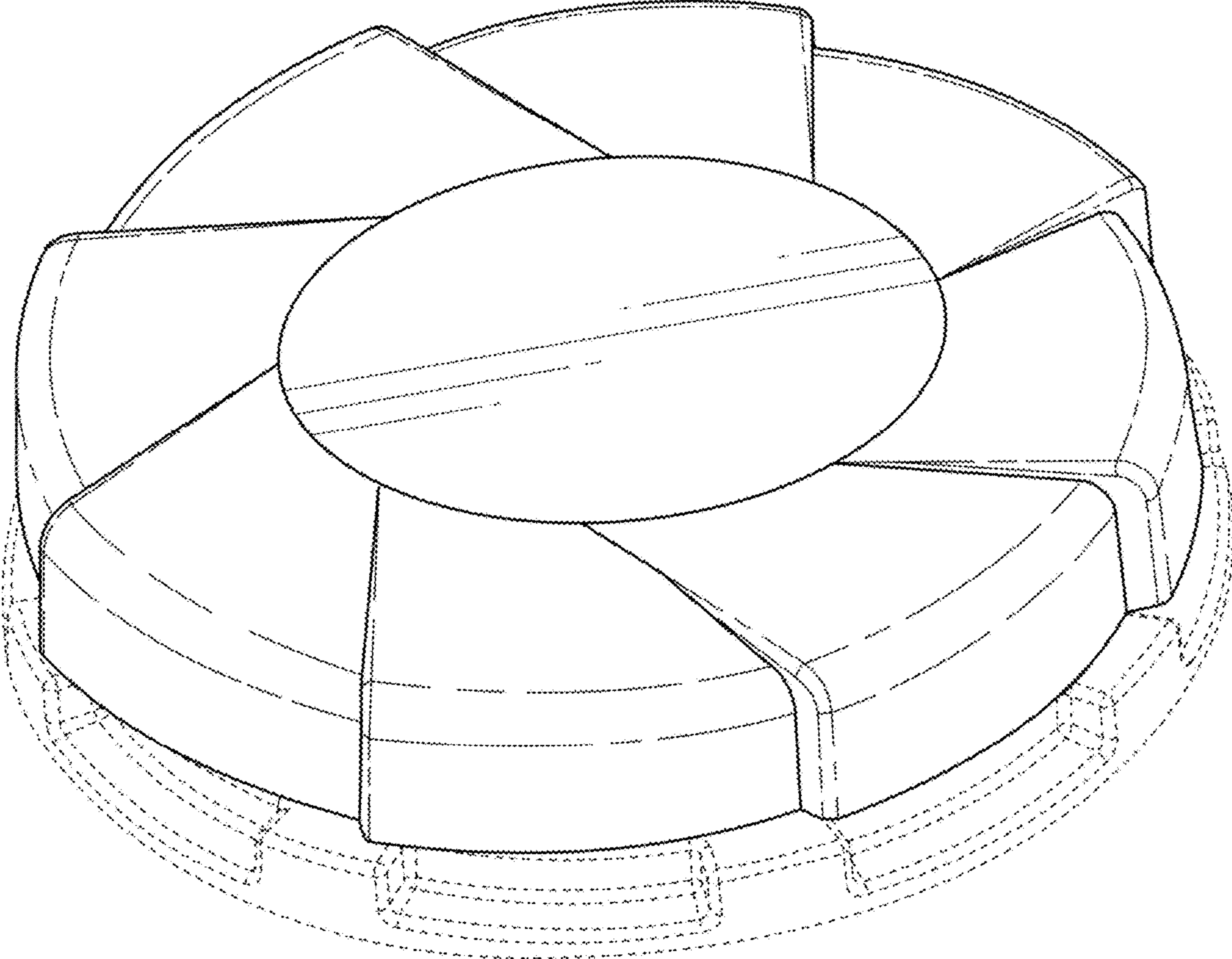


FIG. 2

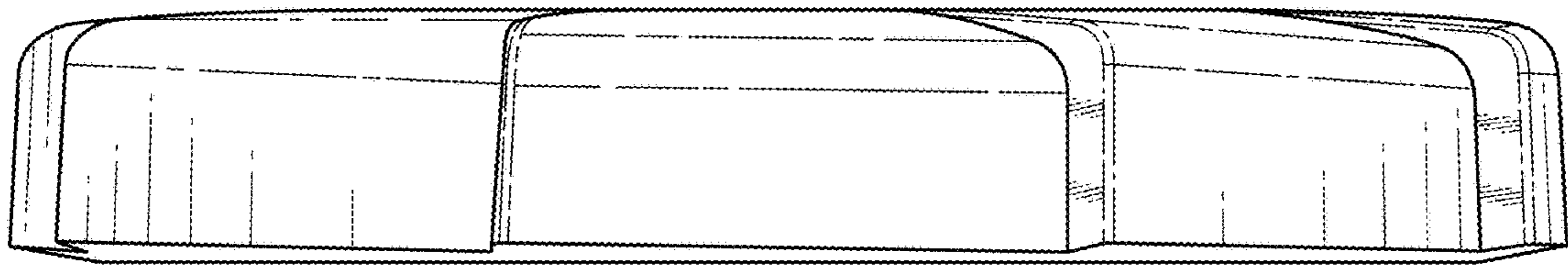


FIG. 3

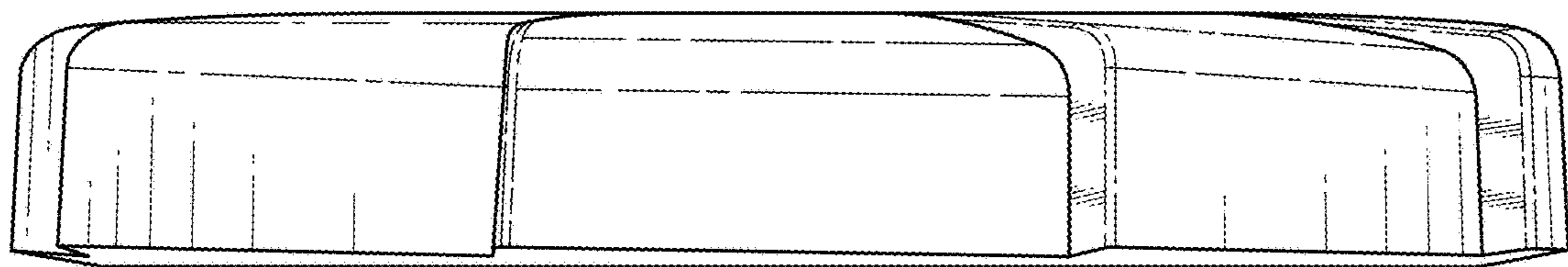


FIG. 4

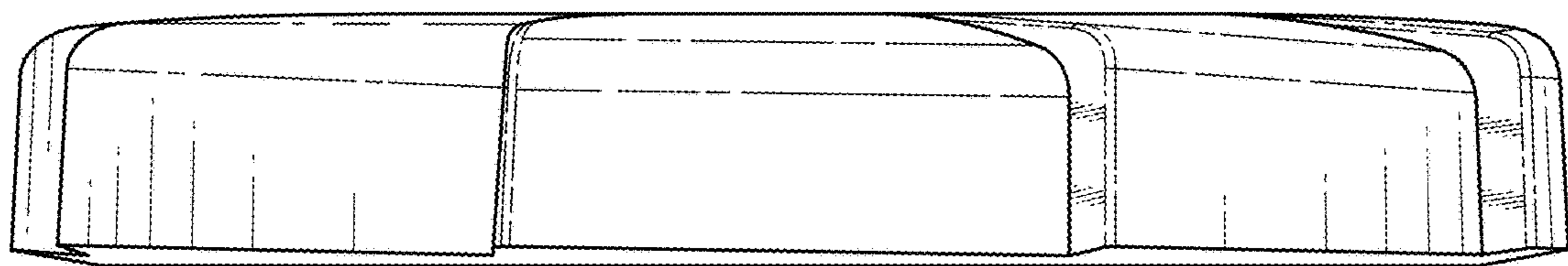


FIG. 5

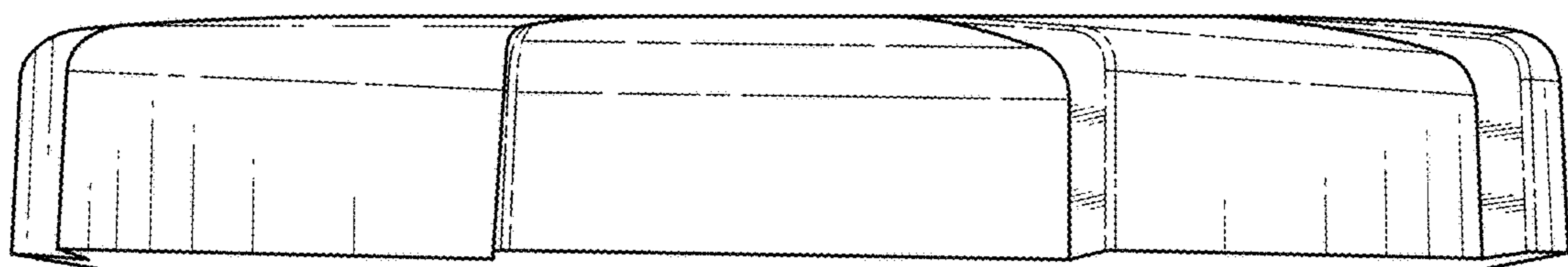


FIG. 6

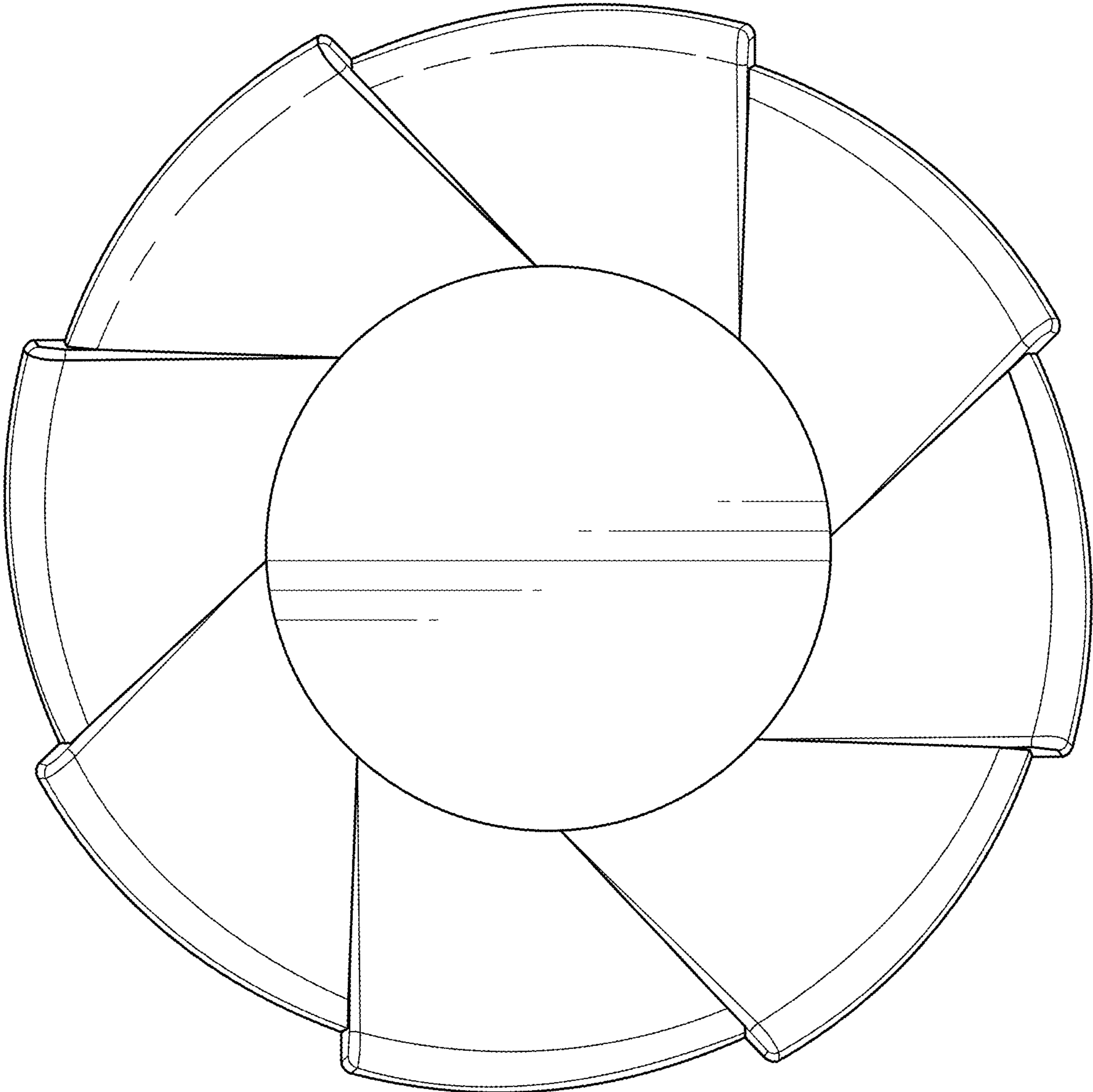


FIG. 7

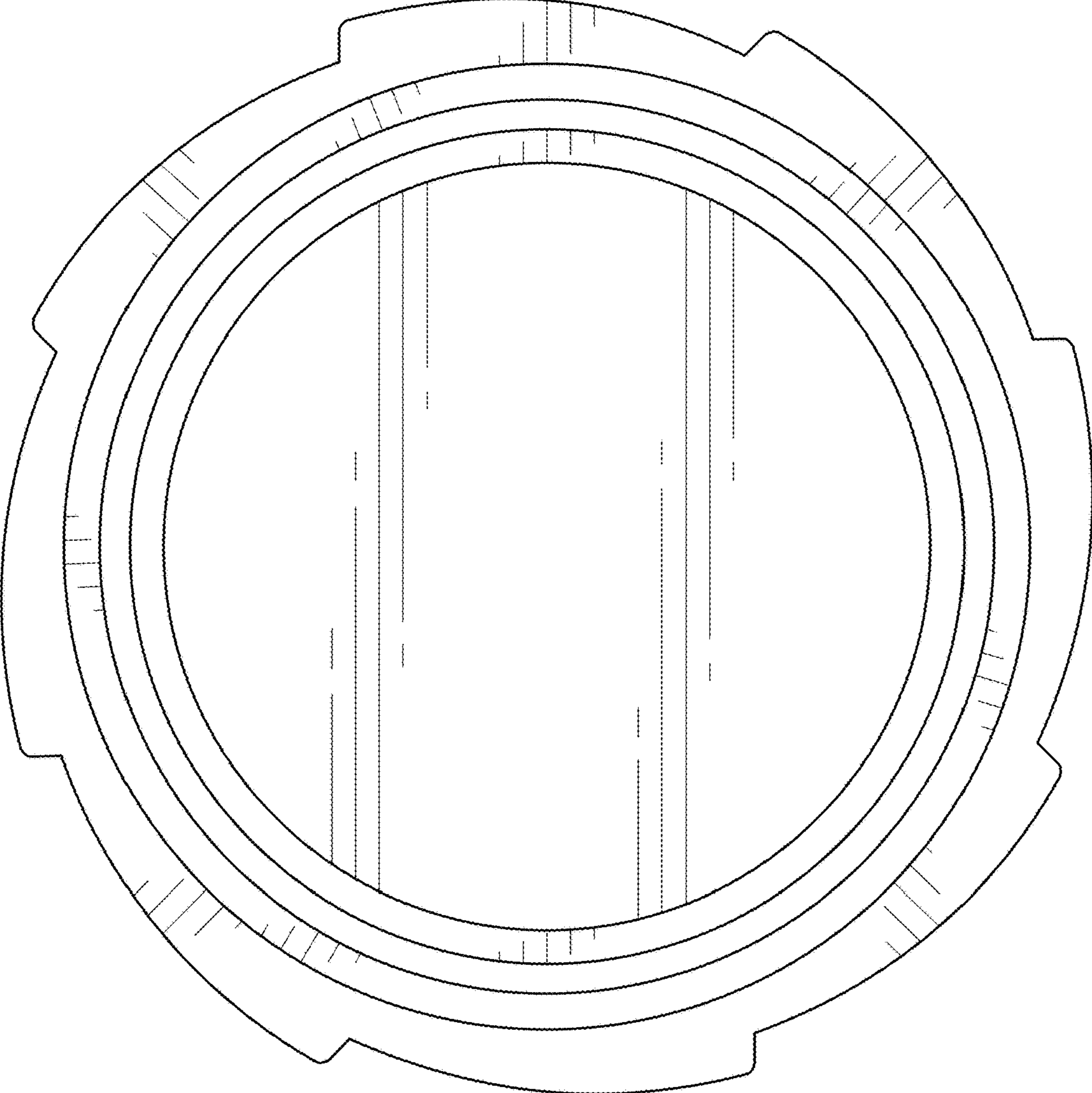


FIG. 8