



US00D840115S

(12) **United States Design Patent** (10) **Patent No.:** **US D840,115 S**
Nieves et al. (45) **Date of Patent:** **** Feb. 5, 2019**

(54) **BOWL FEEDER**

(71) Applicant: **LVD Acquisition, LLC**, Columbus, OH (US)

(72) Inventors: **Julian Nieves**, Columbus, OH (US);
Ari Horowitz, New York, NY (US);
John Bavaro, Bloomington, NJ (US)

(73) Assignee: **LVD Acquisition, LLC**, Columbus, OH (US)

(**) Term: **15 Years**

(21) Appl. No.: **29/594,516**

(22) Filed: **Feb. 20, 2017**

(51) **LOC (11) Cl.** **30-07**

(52) **U.S. Cl.**
USPC **D30/122**

(58) **Field of Classification Search**
USPC D30/121, 122, 129-133; 119/61.5, 51.01, 119/61.56, 51.03, 59, 62, 63, 51.5, 57.8, 119/74, 61.54, 61.55, 53, 53.5, 75, 56.2, 119/51.02, 51.11, 51.12, 57.1, 52.1, 515; 312/204; 248/151, 188; 108/156, 108/153.1-157; 220/23.87, 630, 737, 220/743, 9.4, 495.01, 574, 212, 255, 220/23.83; 206/515; D7/586, 543, D7/550.1, 587, 505, 584, 545, 500, D7/553.1-553.8, 546, 555, 556, 504, 565, D7/562, 602, 605, 312, 313, 320, 307, D7/306, 309, 354, 311, 399, 397, 323, D7/332, 331, 347, 346, 322, 318, 317, D7/316, 619.1, 378; D9/429; 43/109; D22/122; 99/430, DIG. 15, 280, 285, 99/312; 222/209, 131, 363, 349, 517, 222/153.13, 401, 1, 146.5, 23, 54, 64, 51, 222/156, 399, 400.8; 219/438, 439, 441,

(Continued)

(56) **References Cited**

U.S. PATENT DOCUMENTS

D153,939 S * 5/1949 Gunther D7/311
D192,343 S * 3/1962 Dolgin D7/313
D221,791 S * 9/1971 Chi D7/300.1

(Continued)

Primary Examiner — Susan Moon Lee

(74) *Attorney, Agent, or Firm* — Standley Law Group LLP

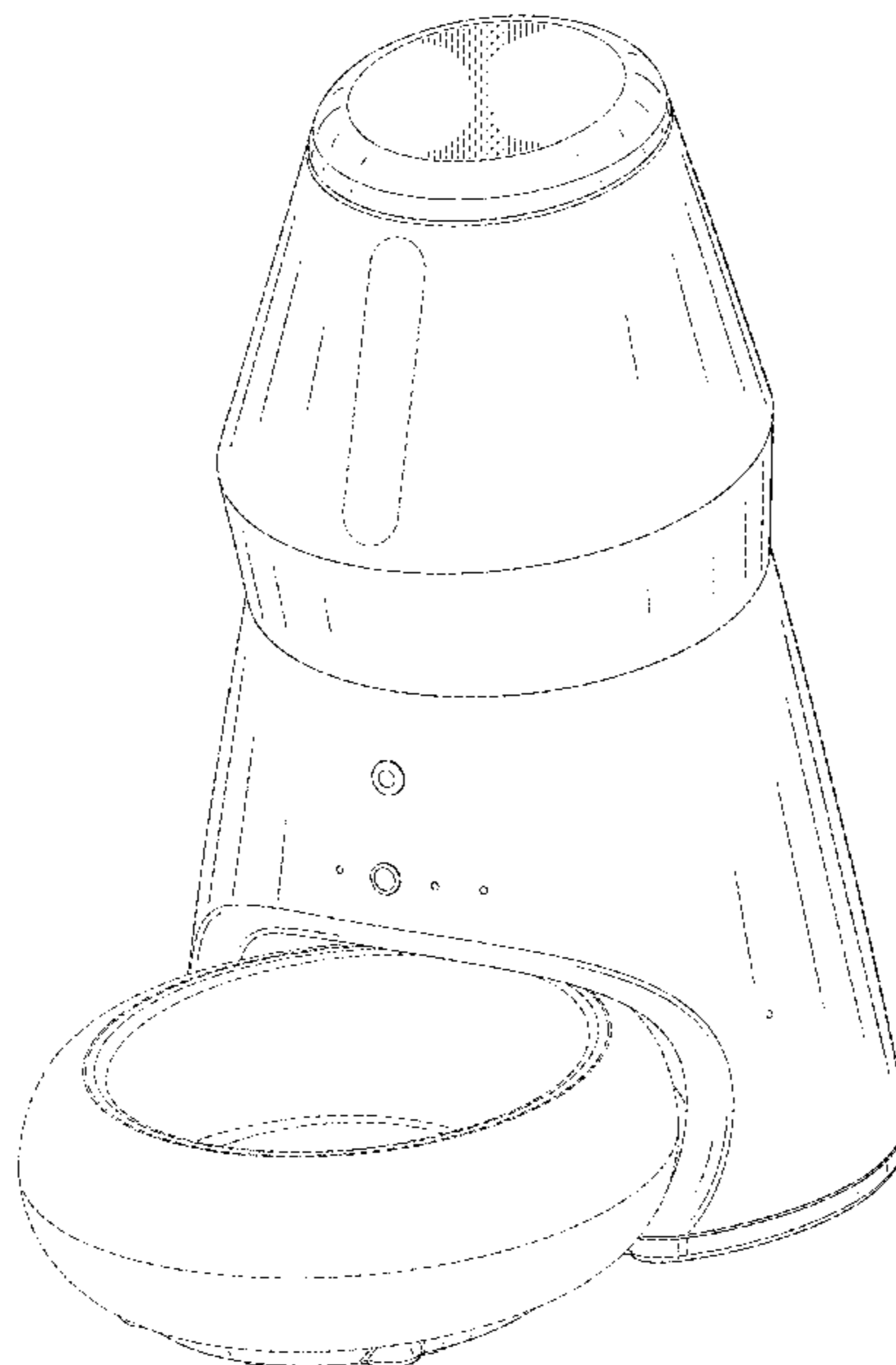
(57) **CLAIM**

The ornamental design for a bowl feeder, as shown and described above.

DESCRIPTION

FIG. 1 is a front perspective view of a first exemplary bowl feeder of the present invention;
FIG. 2 is a front elevation view of the exemplary bowl feeder of FIG. 1;
FIG. 3 is a rear elevation view of the FIG. 1 embodiment;
FIG. 4 is a right side view of the FIG. 1 embodiment;
FIG. 5 is a left side view of the FIG. 1 embodiment;
FIG. 6 is a top plan view of the FIG. 1 embodiment;
FIG. 7 is a bottom plan view of the FIG. 1 embodiment;
FIG. 8 is a front perspective view of a second exemplary bowl feeder of the present invention;
FIG. 9 is a front elevation view of the FIG. 8 embodiment;
FIG. 10 is a rear elevation view of the FIG. 8 embodiment;
FIG. 11 is a right side view of the FIG. 8 embodiment;
FIG. 12 is a left side view of the FIG. 8 embodiment;
FIG. 13 is a top plan view of the FIG. 8 embodiment; and,
FIG. 14 is a bottom plan view of the FIG. 8 embodiment.
The broken lines and unshaded portions contained within broken lines depict unclaimed features of the bowl feeder that form no part of the claimed design but are shown for purposes of illustration.

1 Claim, 14 Drawing Sheets



US D840,115 S

Page 2

(58) **Field of Classification Search**

USPC 219/385, 386, 402, 407; 210/94, 184,
210/474, 477
CPC A01K 5/02; A01K 5/0225; A01K 5/0114;
A01K 5/025; A01K 5/0266; A01K
5/0275; A01K 5/0283; A01K 5/0291;
A01K 5/0258; A01K 7/00; G01F 11/24;
G01F 23/02; B67D 1/0425; B67D 1/04;
B67D 1/00; B67D 1/02; B67D 1/0871;
B67D 1/0802; A47J 41/0033; A47J
41/005; A47J 41/0088; A47J 41/0094;
A47J 31/04; A47J 31/053; B05B 11/00;
B05B 11/0002; B05B 11/0005; B05B
11/001; C02F 1/003; C02F 1/283; C02F
2307/02

See application file for complete search history.

(56) **References Cited**

U.S. PATENT DOCUMENTS

3,800,745 A * 4/1974 Fassauer A01K 5/0216
119/51.11
D232,550 S * 8/1974 Fushihara D23/207
D232,658 S * 9/1974 Fassauer D30/121
D234,144 S * 1/1975 Fassauer D30/132
3,920,224 A * 11/1975 Fassauer A01K 5/0216
119/51.11
D258,258 S * 2/1981 Haddock D34/7
4,271,015 A * 6/1981 Moore B01D 35/143
210/282
4,450,790 A * 5/1984 Stansbury, Jr. A01K 5/0291
119/51.12
D274,929 S * 7/1984 Davis D23/207
4,513,688 A * 4/1985 Fassauer A01K 5/0291
119/57.1
4,651,679 A * 3/1987 Fassauer A01K 5/0291
119/51.5
4,721,063 A * 1/1988 Atchley A01K 5/0114
119/52.1
D348,336 S * 6/1994 Woo D30/122
D351,261 S * 10/1994 Woo D30/122
D351,689 S * 10/1994 VanSkiver D30/121
D371,643 S * 7/1996 Lillelund D30/122
D374,516 S * 10/1996 Lillelund D30/121
D431,145 S * 9/2000 Woebcke D7/306
D442,009 S * 5/2001 Schwarzli D7/300
D450,214 S * 11/2001 Woebcke D7/306
D463,194 S * 9/2002 Busick D7/306

D479,666 S * 9/2003 Barker D7/378
6,789,503 B1 * 9/2004 Gao A01K 5/0291
119/51.11
D504,545 S * 4/2005 Morosin A01K 5/0114
D30/122
D520,808 S * 5/2006 Beesley D7/378
D521,192 S * 5/2006 Morosin D30/122
D549,043 S * 8/2007 Beesley D7/374
7,270,156 B2 * 9/2007 Beesley A47J 43/046
141/82
D563,142 S * 3/2008 Kauer D7/306
D563,605 S * 3/2008 Morris D30/121
D570,148 S * 6/2008 Garman D7/306
D581,196 S * 11/2008 Kassenaar D7/306
D581,197 S * 11/2008 Kassenaar D7/306
D586,169 S * 2/2009 Kennedy D7/306
D593,354 S * 6/2009 Romandy D7/306
D594,266 S * 6/2009 Nakatani D7/306
D602,301 S * 10/2009 Romandy 313/309
7,673,824 B2 * 3/2010 Stamper, III A47J 43/046
241/282.2
7,913,647 B1 * 3/2011 Martin A01K 7/04
119/52.1
8,336,493 B1 * 12/2012 Weber 119/52.1
D702,983 S * 4/2014 Clark D7/306
D731,124 S * 6/2015 Shin D30/122
D772,000 S * 11/2016 Palermo D7/376
D816,394 S * 5/2018 Yeung D7/378
9,999,314 B1 * 6/2018 Neace A47J 31/002
D827,213 S * 8/2018 Veness D30/132
2005/0217591 A1 * 10/2005 Turner A01K 5/0114
119/51.02
2005/0252457 A1 * 11/2005 Morosin A01K 5/0291
119/51.13
2007/0012253 A1 * 1/2007 Zheng A01K 5/02
119/51.02
2008/0202436 A1 * 8/2008 Romeu Guardia .. A01K 5/0225
119/52.1
2010/0050950 A1 * 3/2010 Graves A01K 7/005
119/81
2012/0125263 A1 * 5/2012 Northrop A01K 5/0114
119/52.1
2013/0213308 A1 * 8/2013 Koskey, Jr. A01K 7/027
119/74
2013/0333622 A1 * 12/2013 Jin A01K 5/0291
119/51.01
2016/0007564 A1 * 1/2016 Ma A01K 5/0225
119/57.1
2017/0347626 A1 * 12/2017 Bin G08B 21/182

* cited by examiner

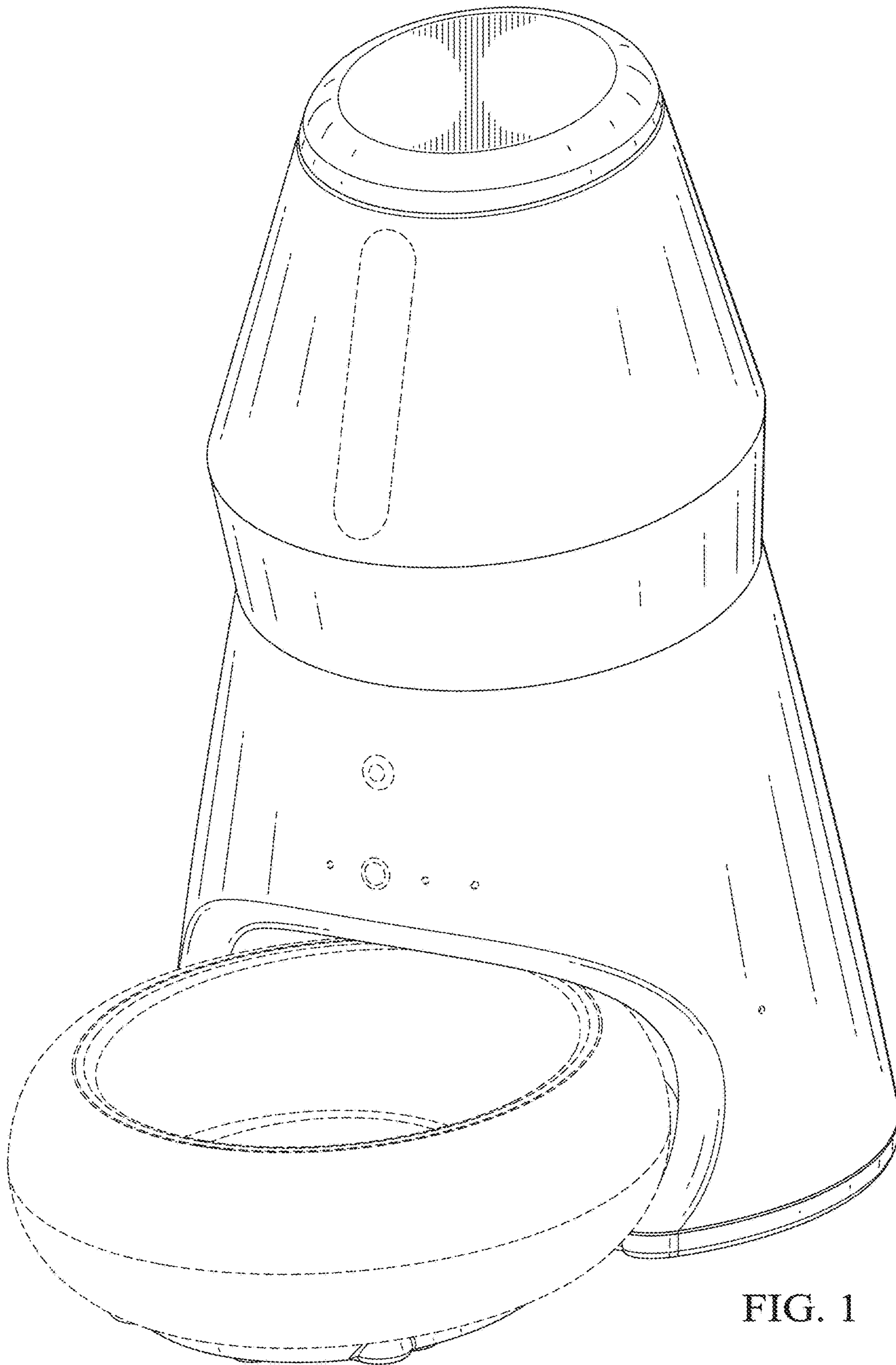


FIG. 1

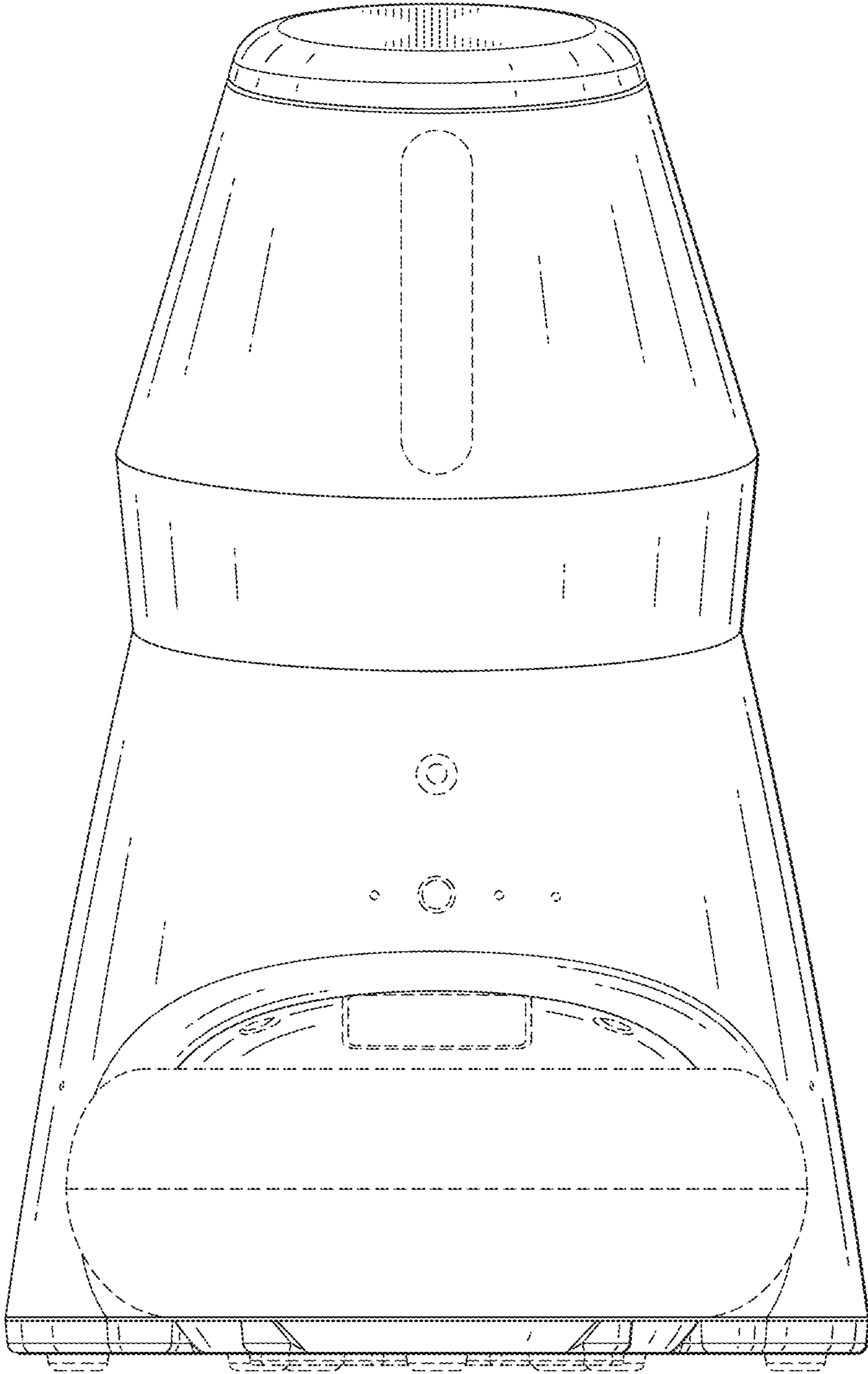


FIG. 2

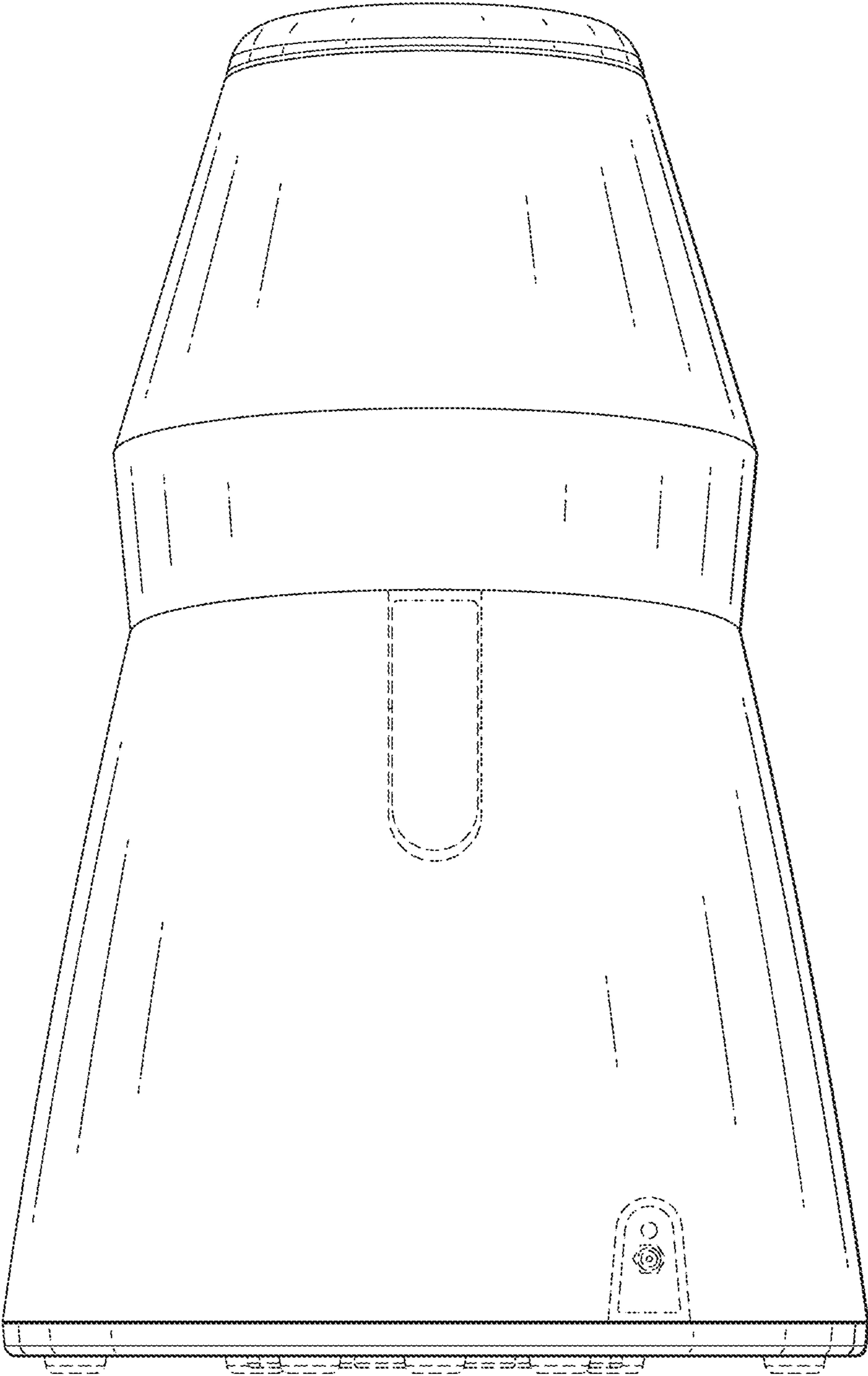


FIG. 3

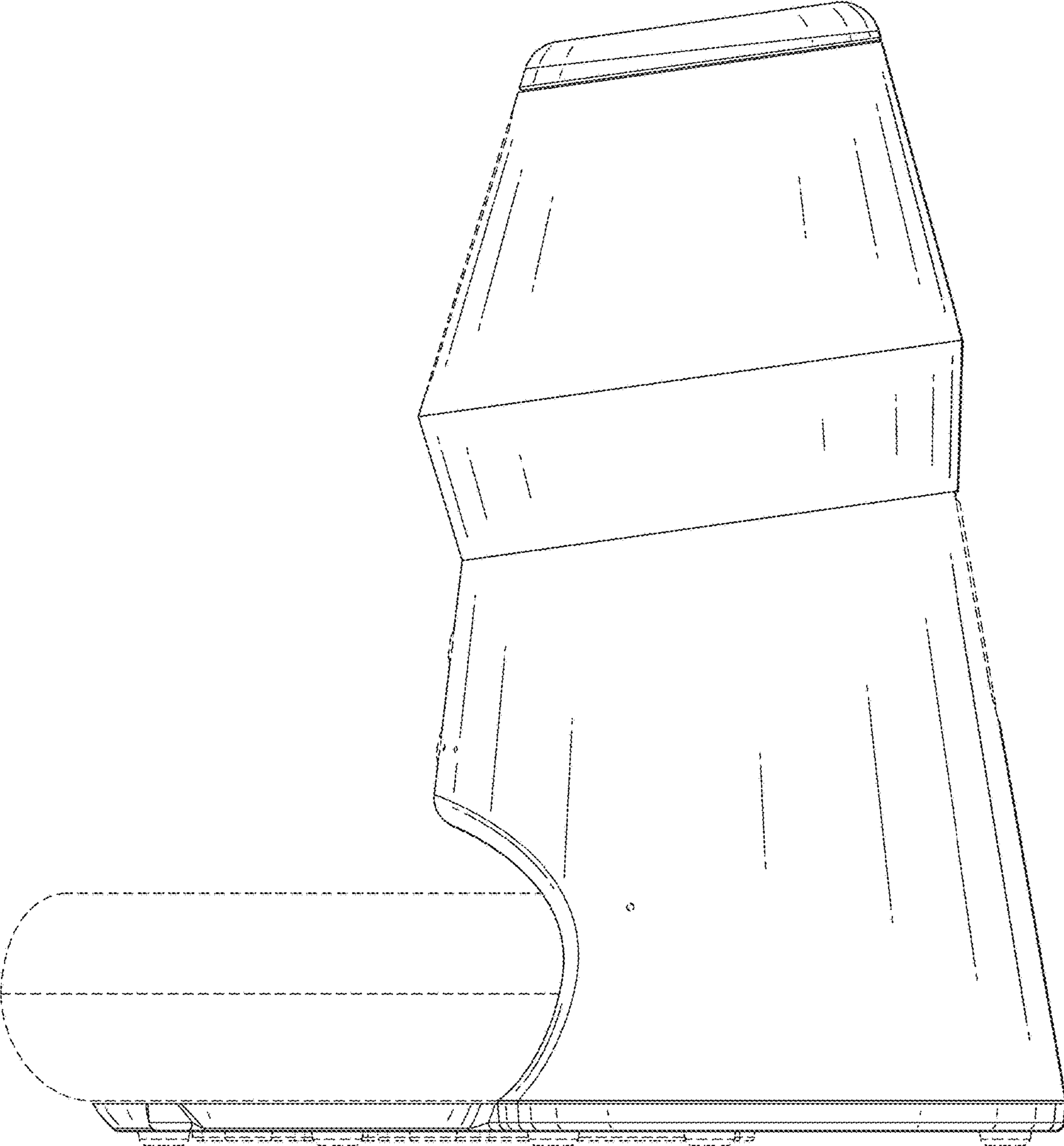


FIG. 4

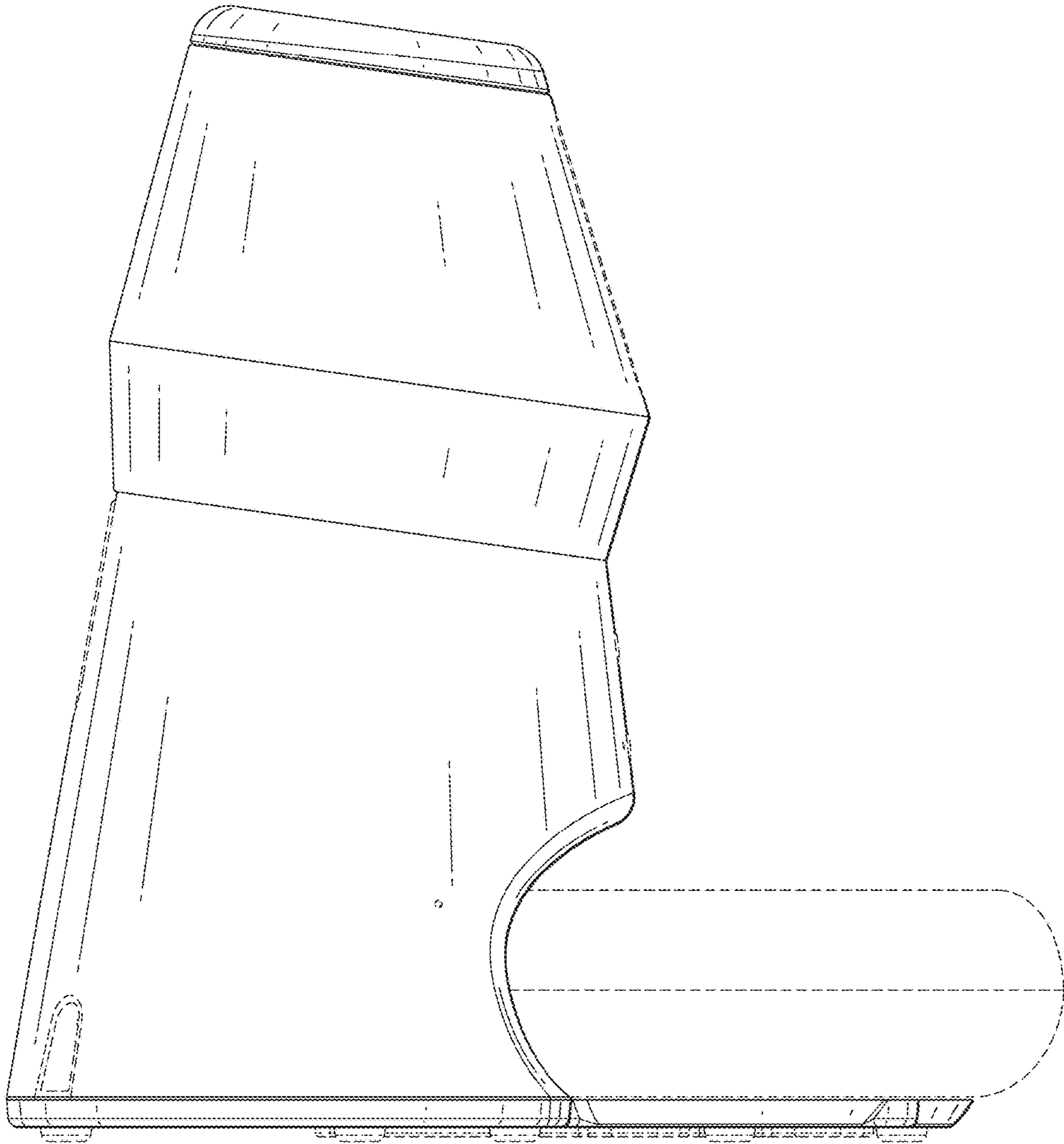


FIG. 5

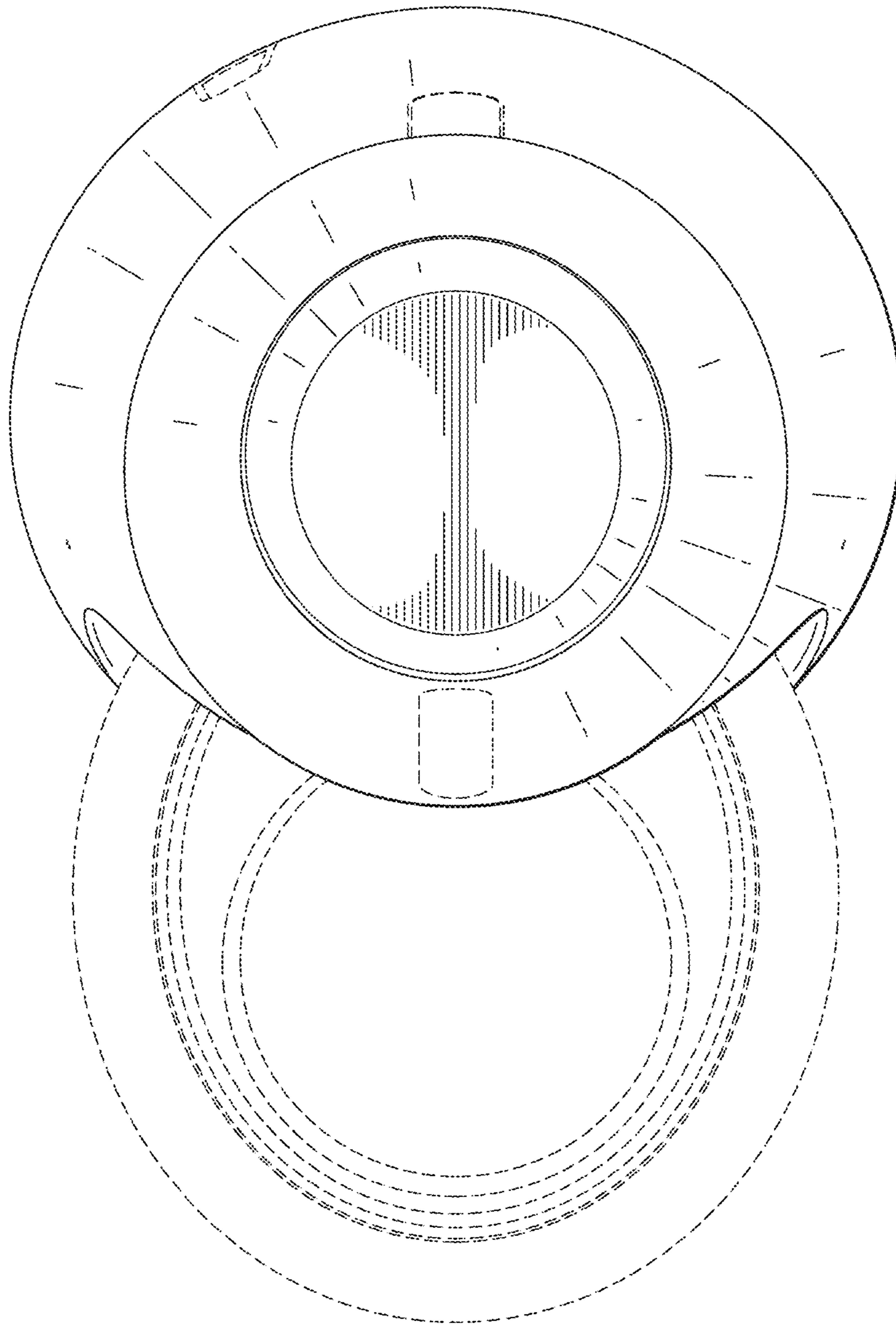


FIG. 6

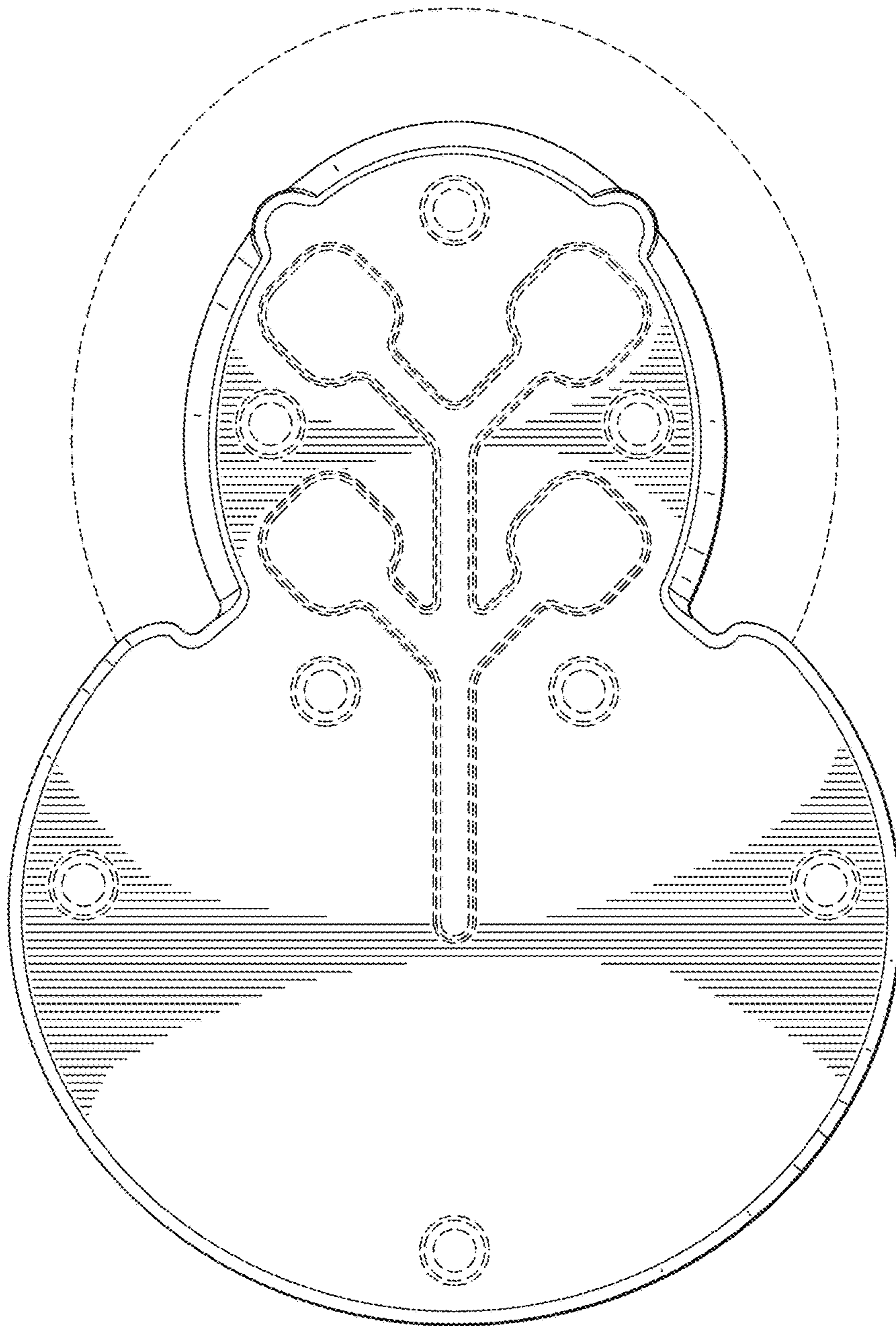


FIG. 7

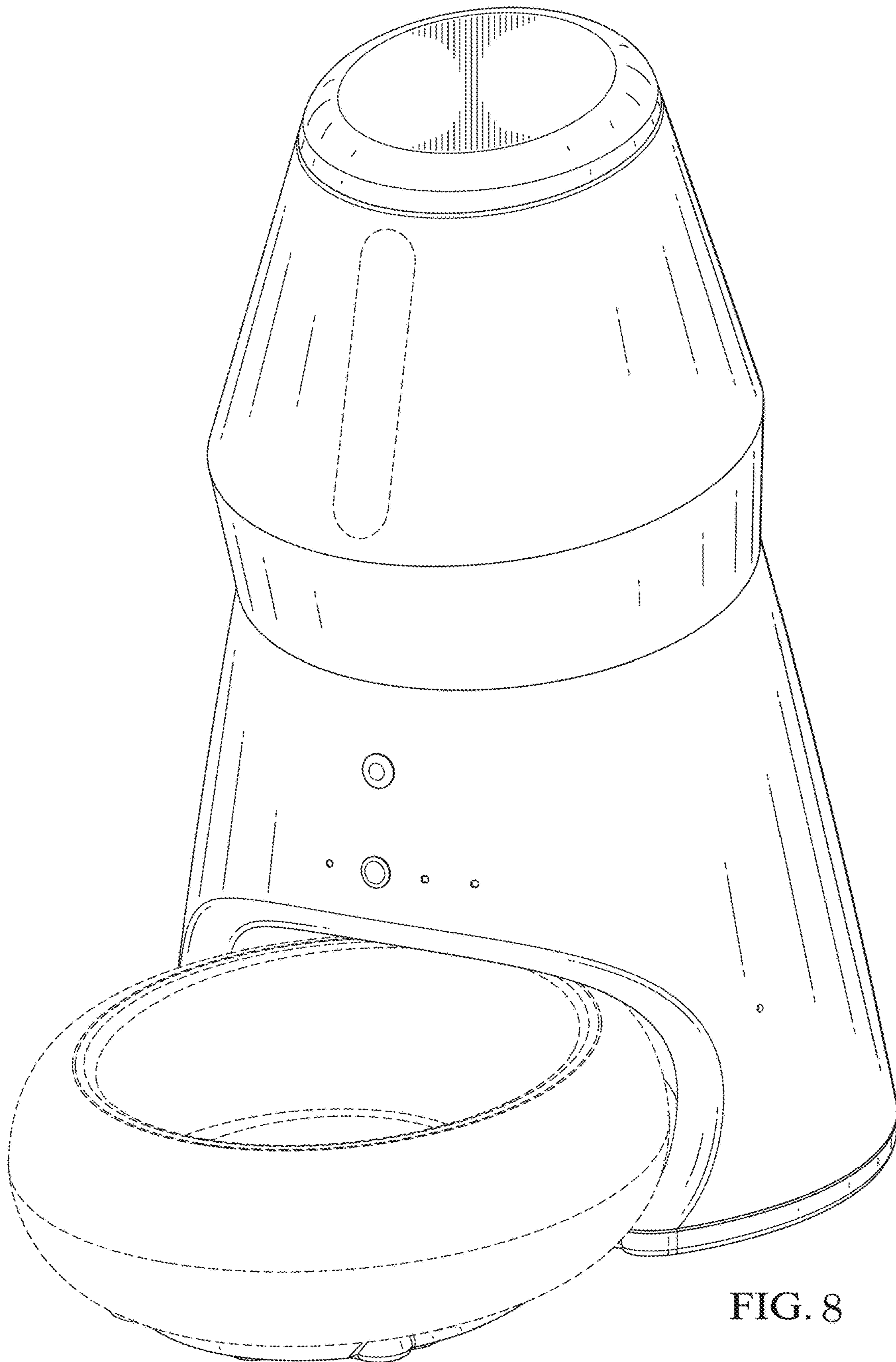


FIG. 8

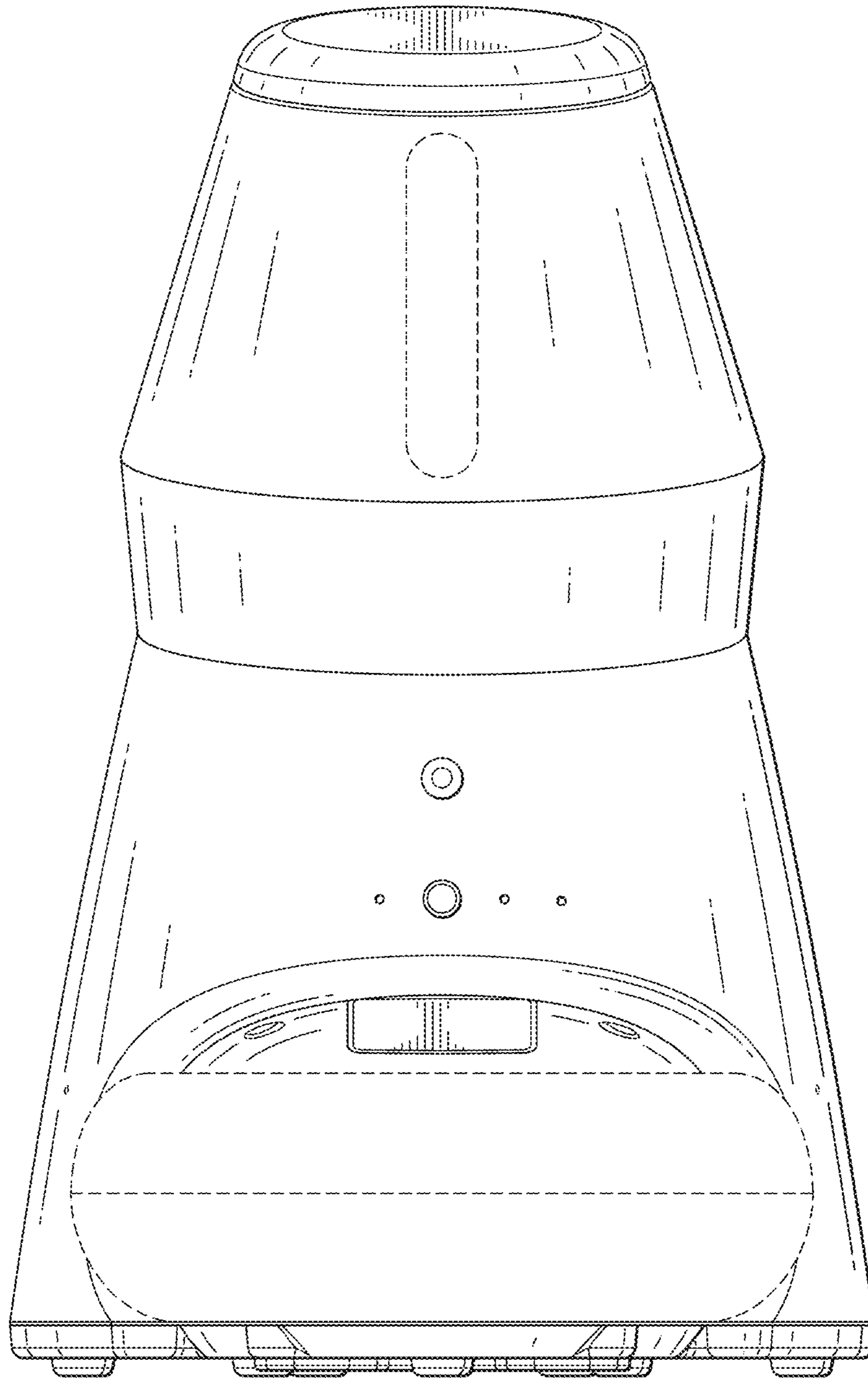


FIG. 9

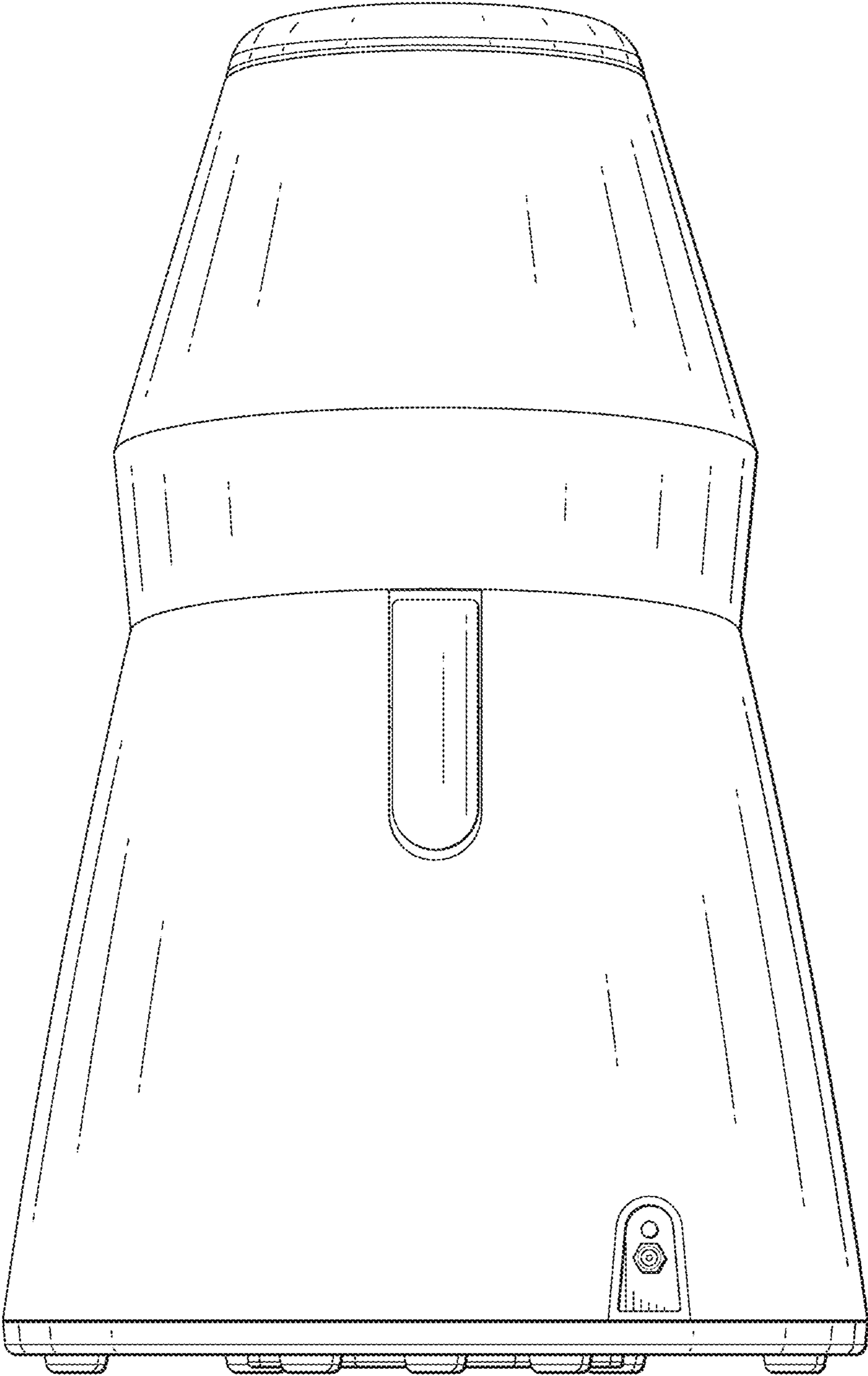


FIG. 10

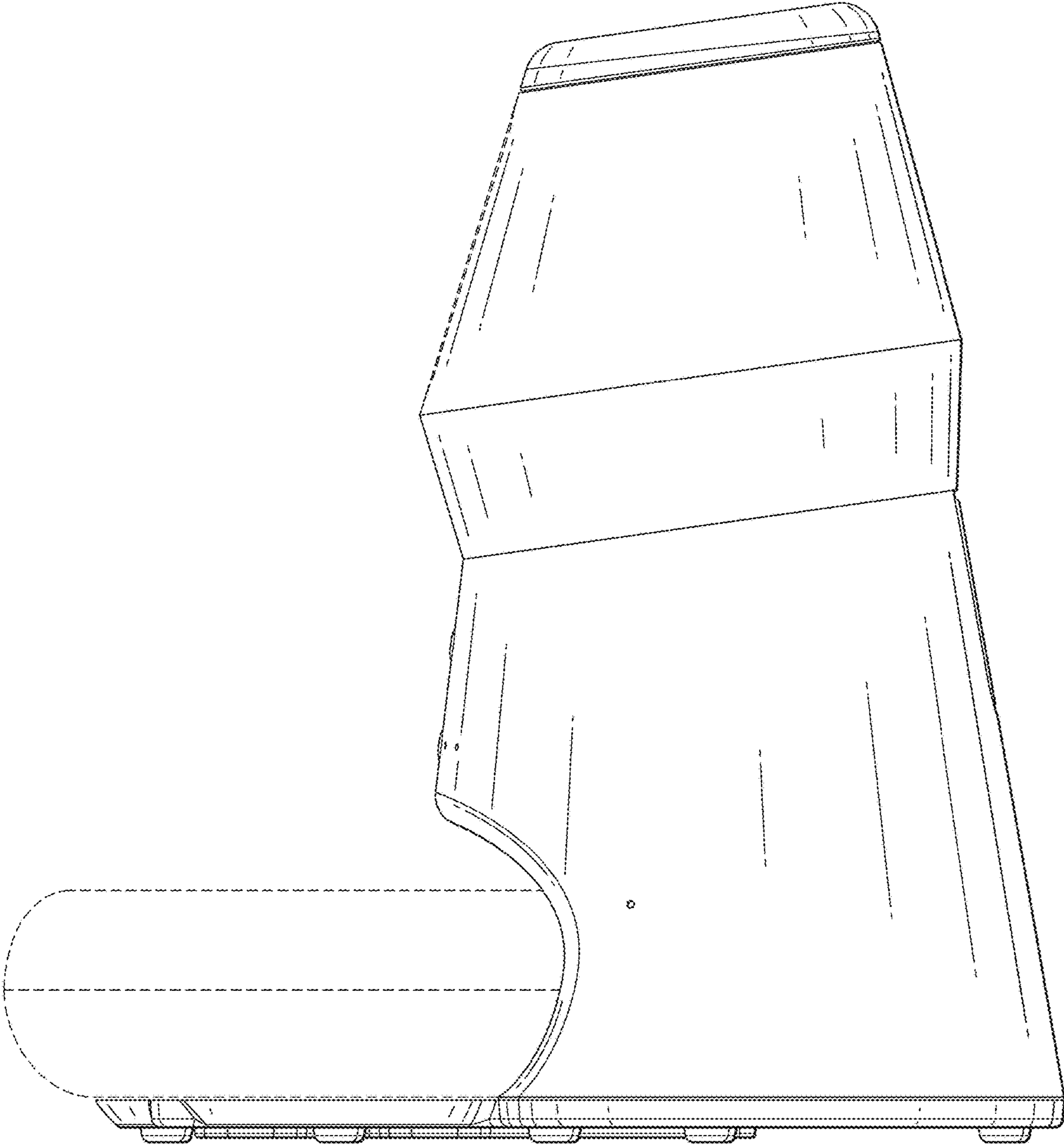


FIG. 11

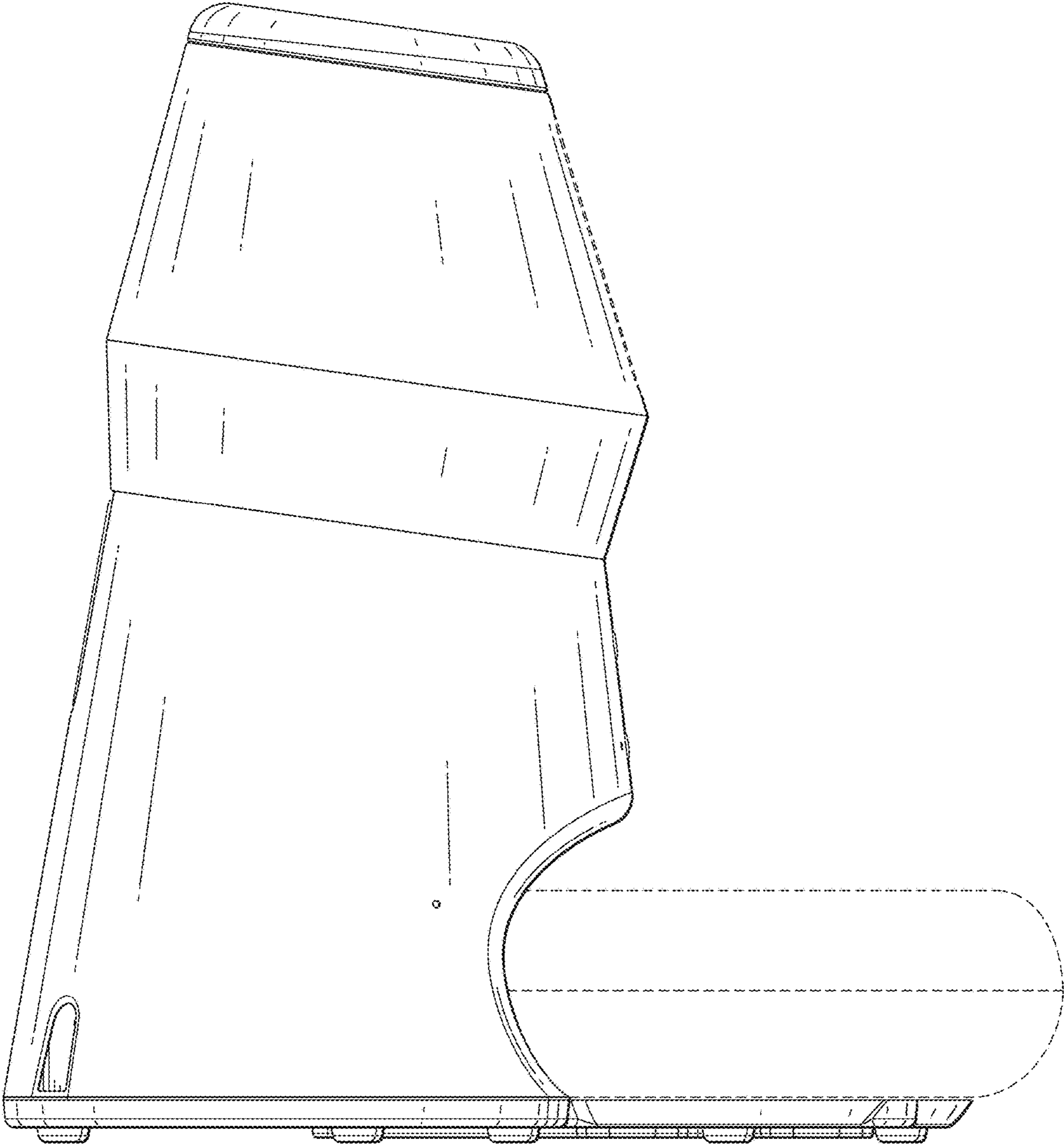


FIG. 12

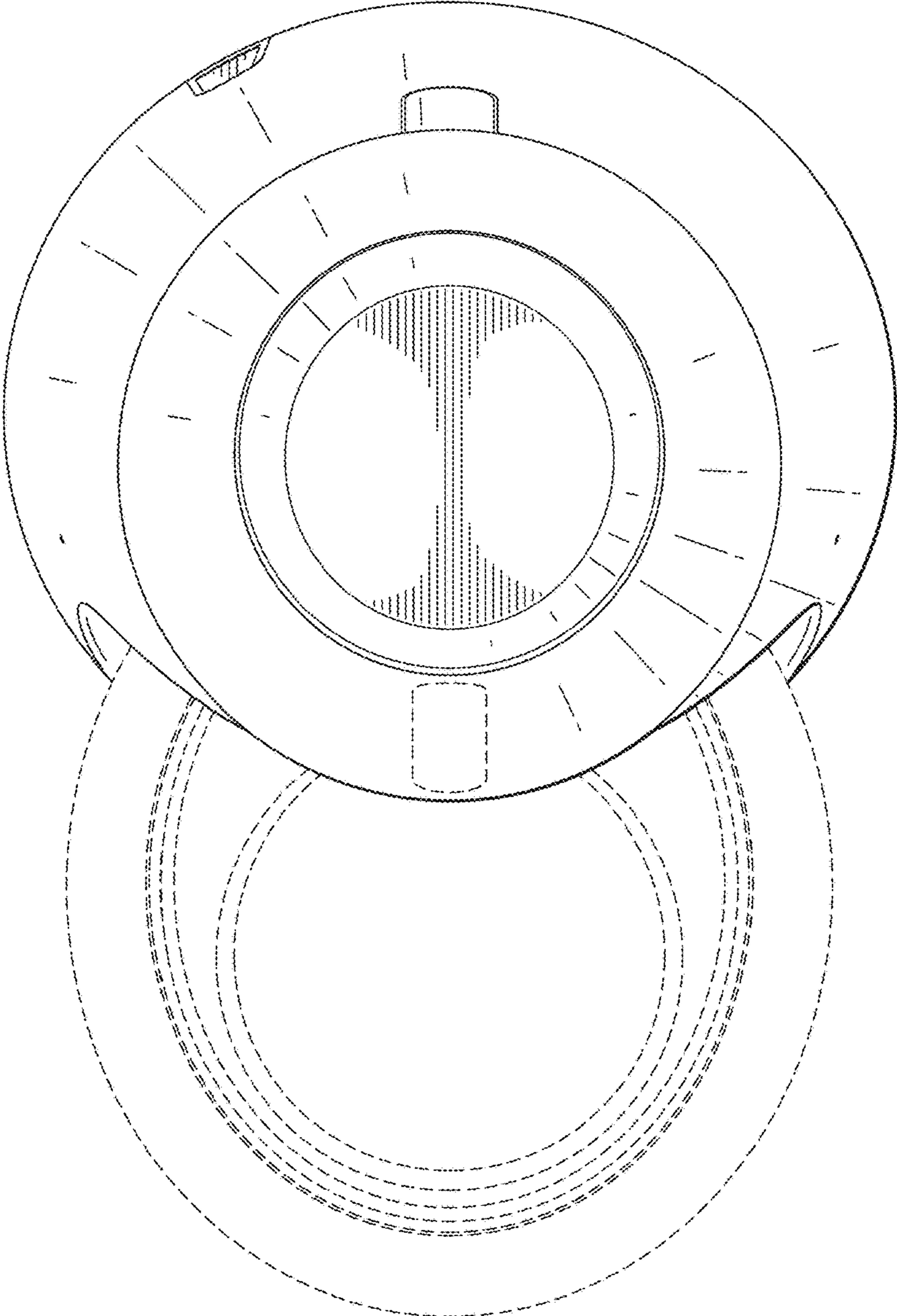


FIG. 13

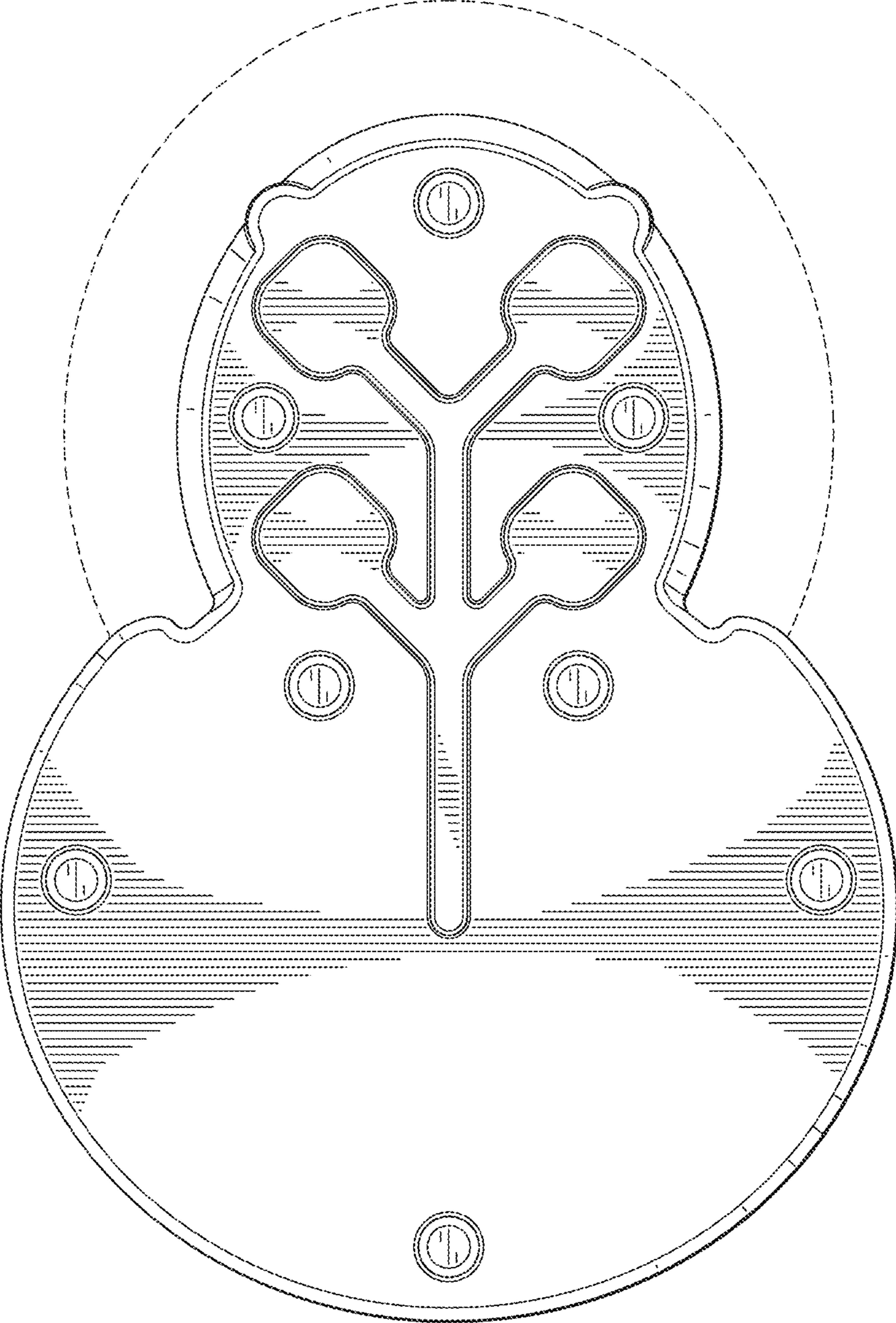


FIG. 14