



US00D840114S

(12) **United States Design Patent** (10) **Patent No.:** **US D840,114 S**  
**Watson** (45) **Date of Patent:** **\*\* Feb. 5, 2019**

(54) **AQUAPONIC TANK**  
(71) Applicant: **PetSmart Home Office, Inc.**, Phoenix, AZ (US)

9,161,519 B1 10/2015 Wellington  
9,642,343 B2 \* 5/2017 Lutz ..... A01K 63/003  
D815,363 S \* 4/2018 Chattin ..... D30/104  
2014/0223818 A1 8/2014 Coghlan  
2014/0223819 A1 8/2014 Coghlan

(72) Inventor: **Jeffrey Stocker Watson**, Phoenix, AZ (US)

**OTHER PUBLICATIONS**

(73) Assignee: **PetSmart Home Office, Inc.**, Phoenix, AZ (US)

[https://www.ebay.com/itm/Japan-Aquaponics-Betta-Tank-guppy-Aquarium-Kit-Aquarium-hydroponics-pot-fish-/261633981406?\\_trksid=p2141725.m3662.l6403](https://www.ebay.com/itm/Japan-Aquaponics-Betta-Tank-guppy-Aquarium-Kit-Aquarium-hydroponics-pot-fish-/261633981406?_trksid=p2141725.m3662.l6403), Japan Aquaponics Betta Tank Guppy Aquarium Kit Aquarium Hydroponics Pot Fish, Nov. 2016, Ebay.

(\*\*) Term: **15 Years**

\* cited by examiner

(21) Appl. No.: **29/611,342**

(22) Filed: **Jul. 20, 2017**

*Primary Examiner* — Wan Laymon

(51) **LOC (11) Cl.** ..... **30-02**

(74) *Attorney, Agent, or Firm* — Duane Morris LLP

(52) **U.S. Cl.**  
USPC ..... **D30/101**

(57) **CLAIM**

(58) **Field of Classification Search**  
USPC ..... D30/101–107; D11/145, 143, 152–153  
CPC .... A01K 63/00; A01K 63/003; A01K 63/006;  
A01K 63/02; A01K 63/06

I claim the ornamental design for an aquaponic tank, as shown and described.

See application file for complete search history.

**DESCRIPTION**

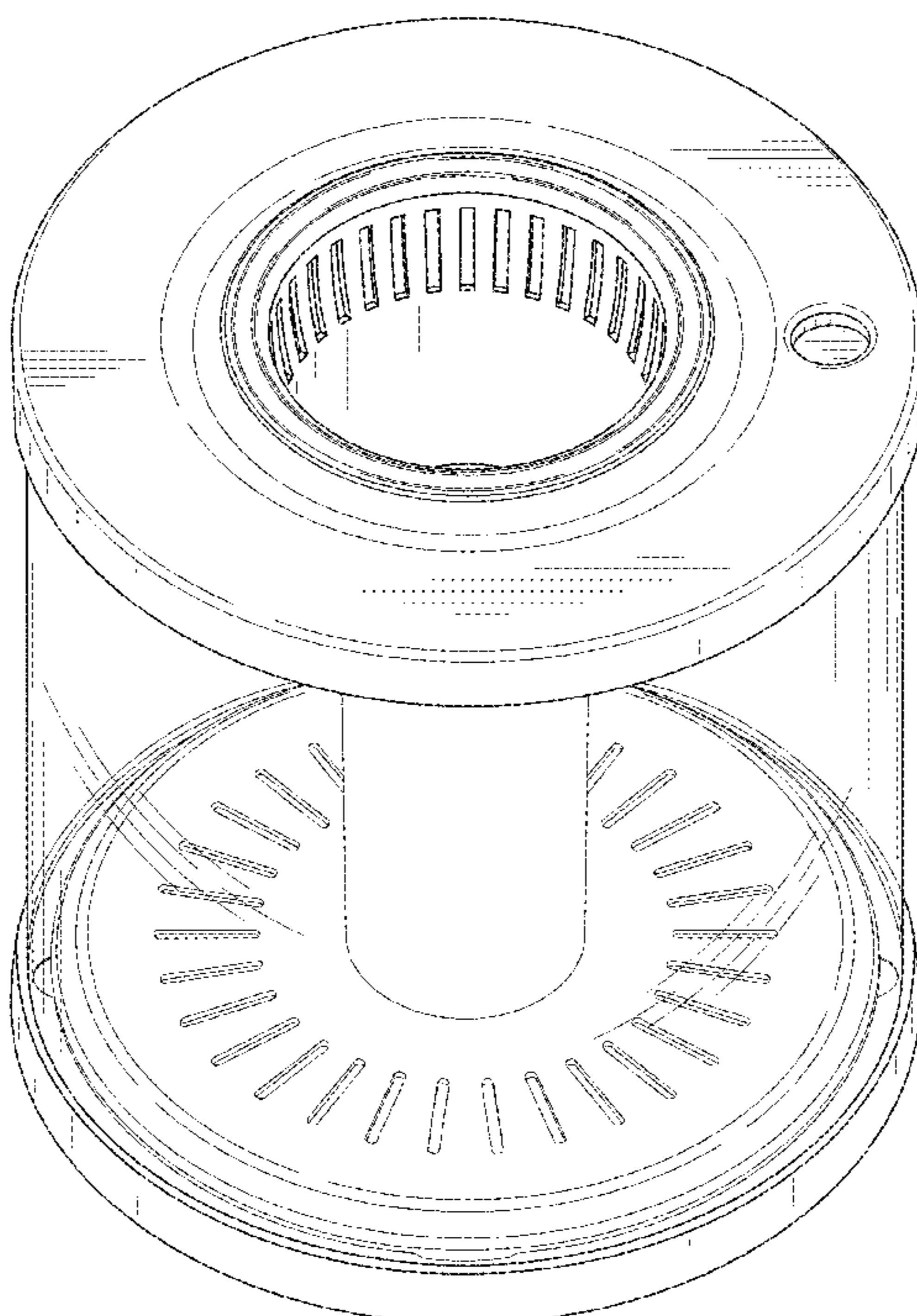
(56) **References Cited**

**U.S. PATENT DOCUMENTS**

5,040,489 A 8/1991 Drake  
5,127,366 A 7/1992 Kim  
6,083,576 A \* 7/2000 Gaither ..... A01K 63/006  
119/253  
D630,124 S \* 1/2011 Connell ..... D11/152  
D635,653 S \* 4/2011 Conway ..... D11/152  
D698,499 S \* 1/2014 Deng ..... D30/101  
D713,100 S \* 9/2014 Salgueiro ..... D30/105

FIG. 1 is a front isometric view of the aquaponic tank. FIG. 2 is a front elevational view of the aquaponic tank. The left and rear elevational views are the same. FIG. 3 is a right elevational view of the aquaponic tank. FIG. 4 is a top plan view of the aquaponic tank; and, FIG. 5 is a bottom plan view of the aquaponic tank. The surface shading in FIGS. 1-5 shows contour of the three-dimensional aspects of the design. Portions of the aquaponic tank shown in broken lines form no part of the claimed design.

**1 Claim, 5 Drawing Sheets**



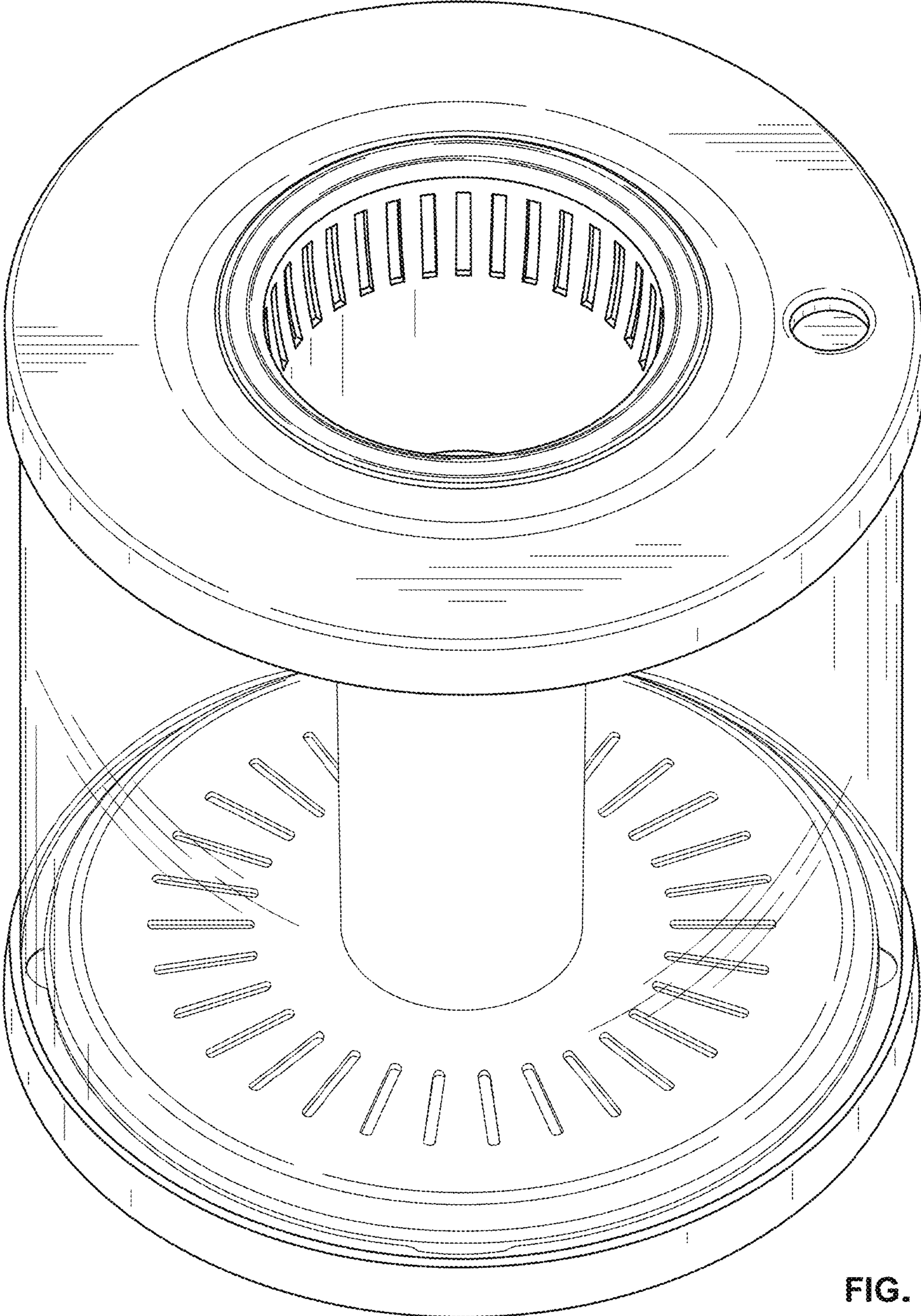


FIG. 1

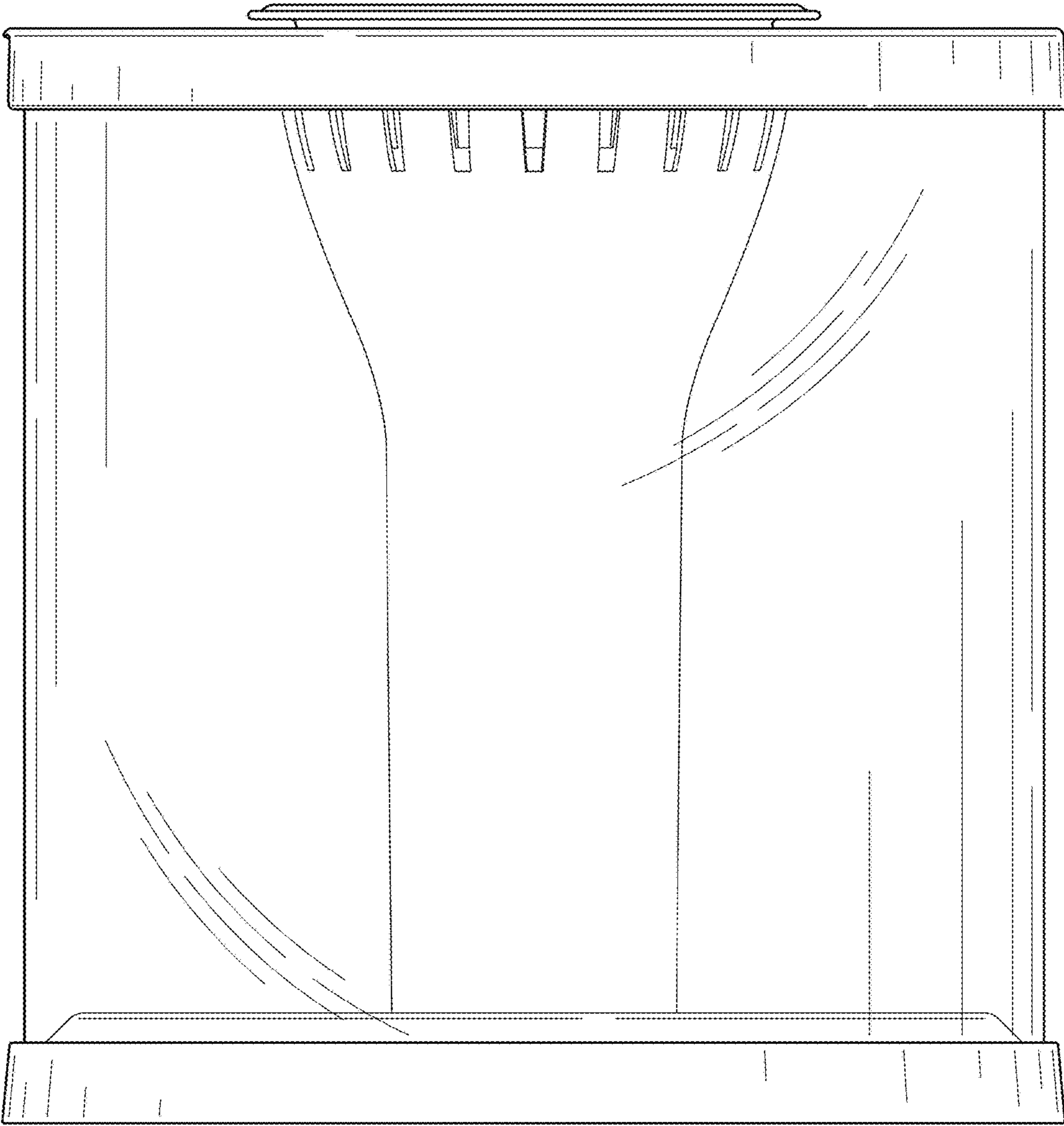


FIG. 2



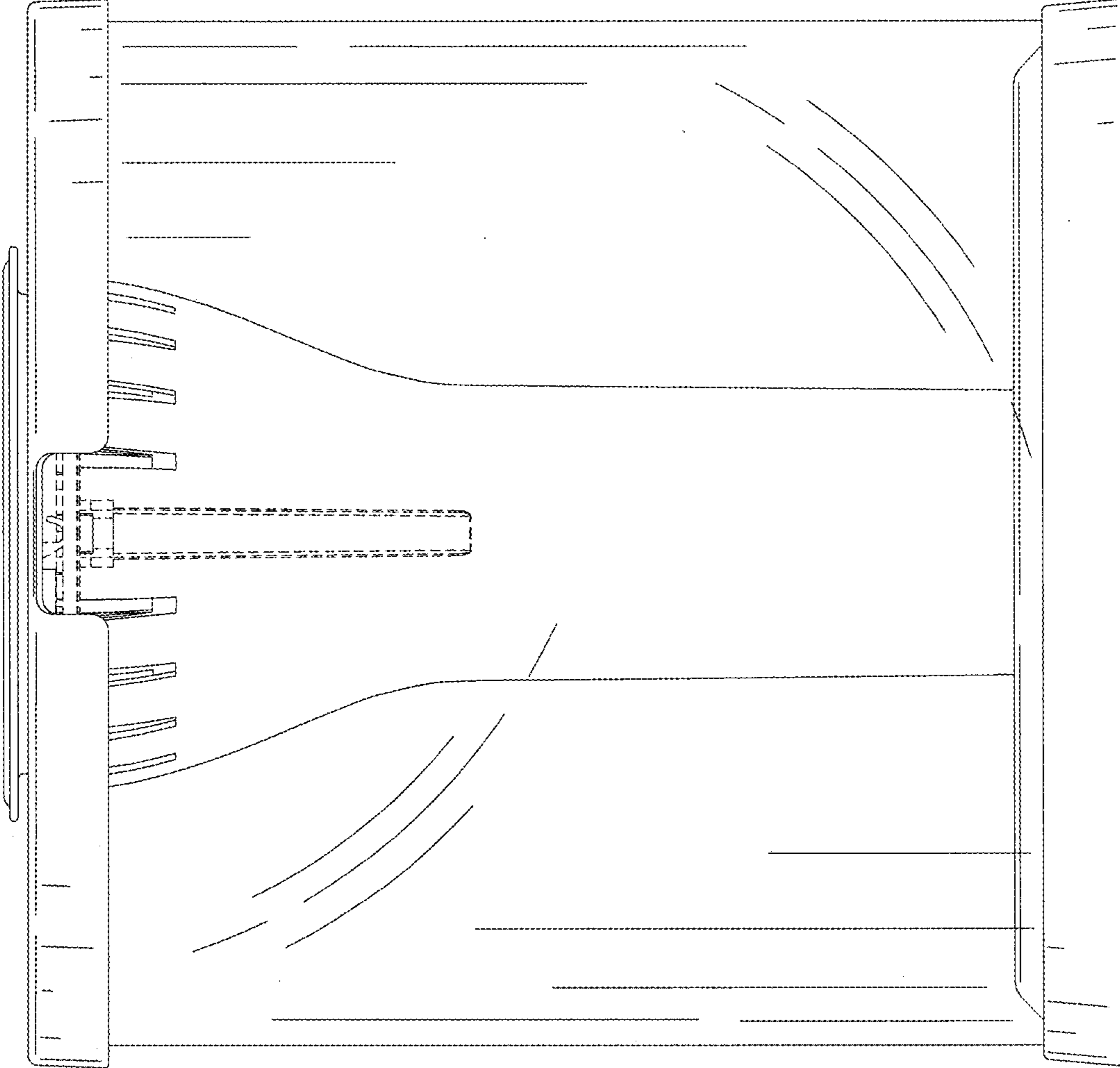


FIG. 3

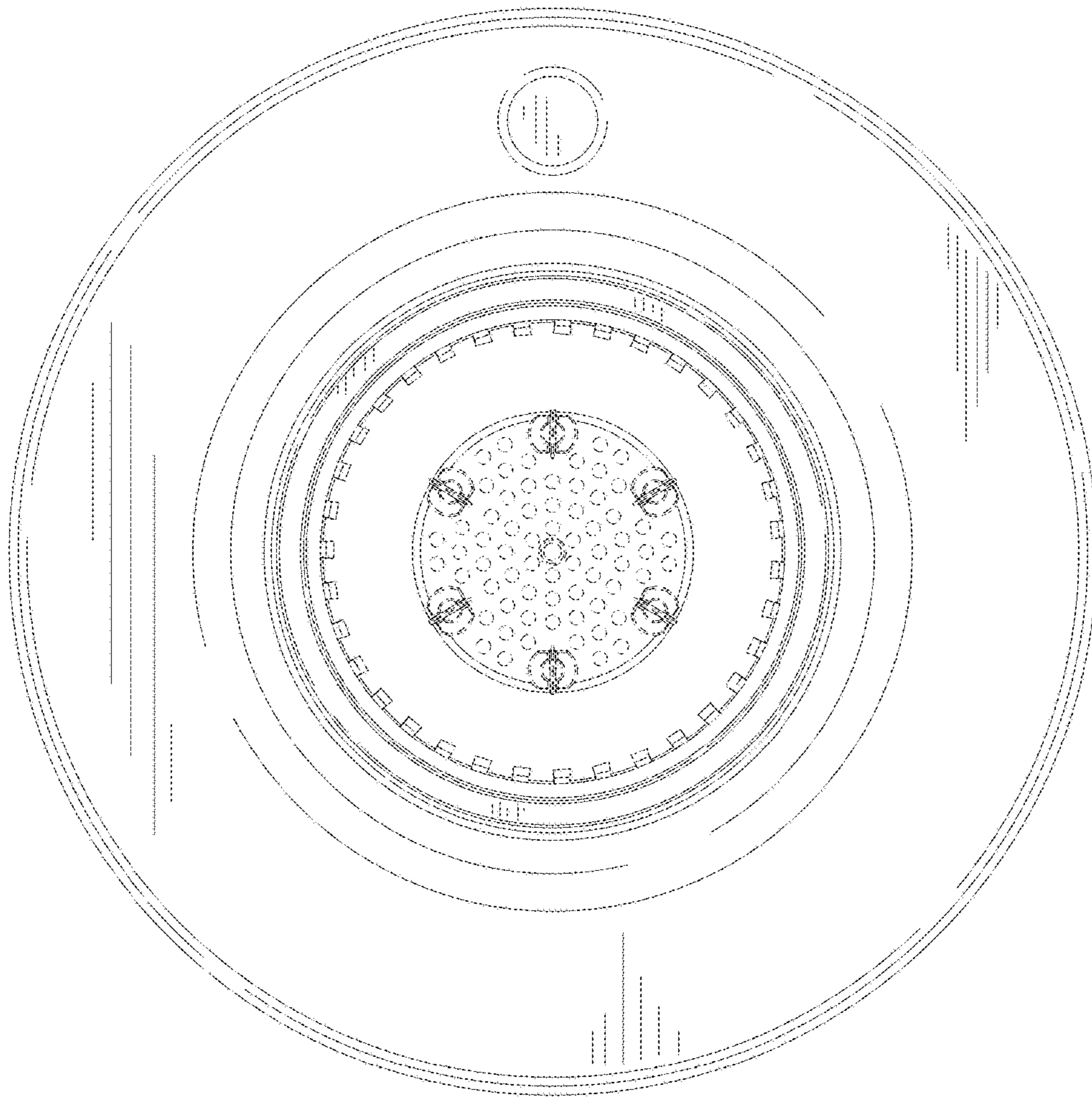


FIG. 4

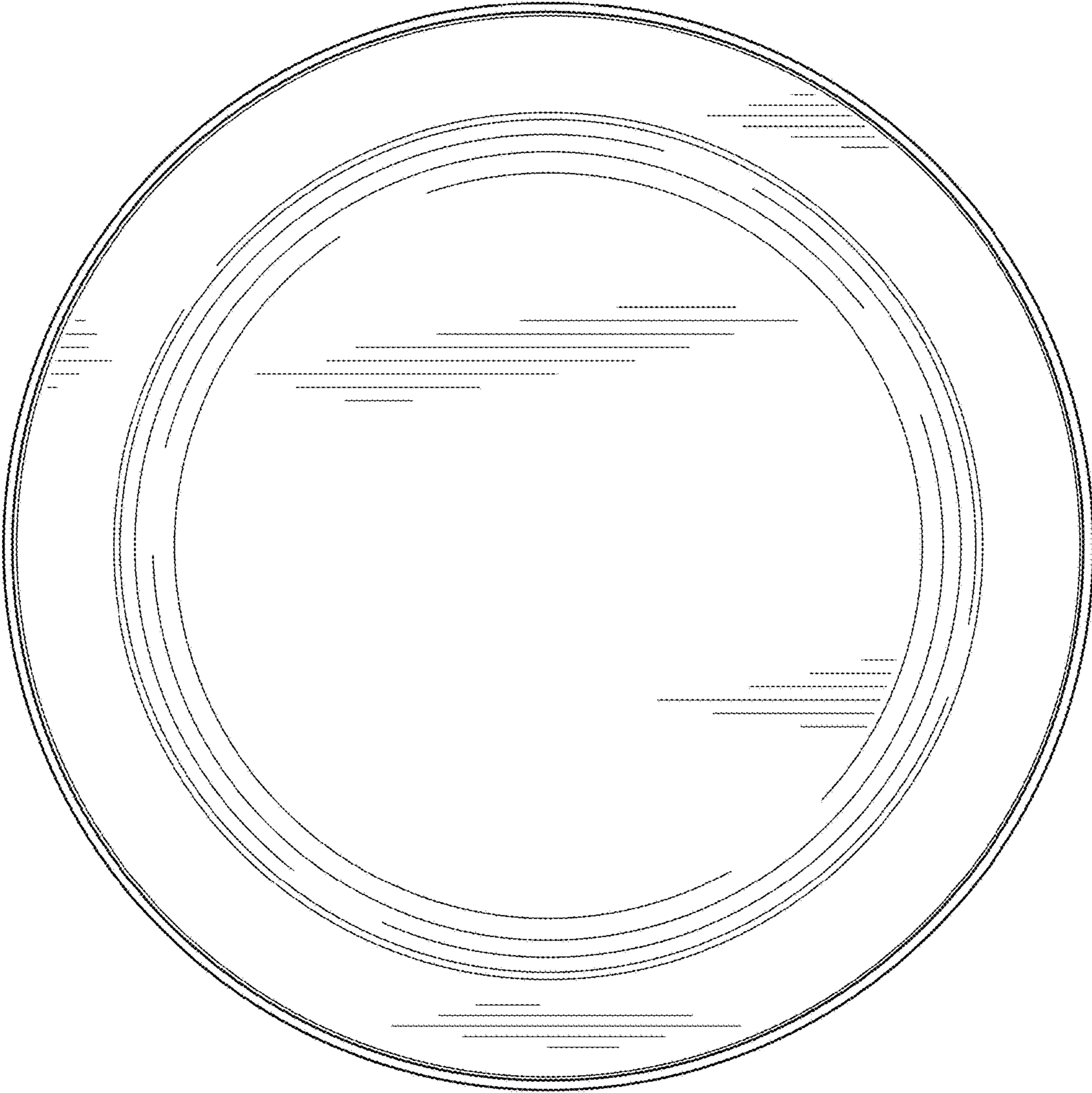


FIG. 5