



US00D840106S

(12) **United States Design Patent**  
**Ouyang et al.**

(10) **Patent No.:** **US D840,106 S**

(45) **Date of Patent:** **\*\* Feb. 5, 2019**

(54) **FINGERNAIL DRYER**

(71) Applicant: **SHENZHEN UVLED OPTICAL TECHNOLOGY CO., LTD.**, Shenzhen (CN)

(72) Inventors: **Chenyi Ouyang**, Shenzhen (CN); **Zhulin Bai**, Shenzhen (CN)

(73) Assignee: **SHENZHEN UVLED OPTICAL TECHNOLOGY CO., LTD.**, Shenzhen (CN)

(\*\*) Term: **15 Years**

(21) Appl. No.: **29/583,921**

(22) Filed: **Nov. 10, 2016**

(30) **Foreign Application Priority Data**

Sep. 29, 2016 (CN) ..... 2016 3 0489687

(51) **LOC (11) Cl.** ..... **28-03**

(52) **U.S. Cl.**  
USPC ..... **D28/58**

(58) **Field of Classification Search**  
USPC ..... D28/12, 19, 54.1, 57-58, 61, 78, 82, 250/455.11, 494.1, 515.1, 504, 504 R; 132/73-75; D6/353; D26/102, 120  
CPC . F26B 9/003; F26B 3/28; A45D 29/22; A45D 29/20; A45D 2200/205  
See application file for complete search history.

(56) **References Cited**

**U.S. PATENT DOCUMENTS**

D206,379 S \* 12/1966 Good ..... D6/353  
D600,928 S \* 9/2009 Rake ..... D6/353  
D600,929 S \* 9/2009 Kemnitzer ..... D6/353  
D633,237 S \* 2/2011 Wang ..... D26/26  
D687,600 S \* 8/2013 Cheng ..... D28/54.1

D707,888 S \* 6/2014 Kim ..... D28/54.1  
D753,869 S \* 4/2016 Prijic ..... D26/120  
D757,347 S \* 5/2016 Chen ..... D26/120  
D822,914 S \* 7/2018 Yang ..... D30/133

**FOREIGN PATENT DOCUMENTS**

CN 303657709 \* 4/2016  
CN 304133203 \* 5/2017  
CN 304133245 \* 5/2017  
CN 304177916 \* 6/2017  
CN 304229900 \* 8/2017

(Continued)

*Primary Examiner* — Shannon W Morgan

*Assistant Examiner* — Altaira J Swangin

(57) **CLAIM**

The ornamental design for a fingernail dryer, as shown and described.

**DESCRIPTION**

FIG. 1 is a front elevational view of a fingernail dryer showing our new design;

FIG. 2 is a rear elevational view thereof;

FIG. 3 is a left side elevational view thereof;

FIG. 4 is a right side elevational view thereof;

FIG. 5 is a top plan view thereof;

FIG. 6 is a bottom plan view thereof;

FIG. 7 is a front, top, right perspective view thereof;

FIG. 8 is a front elevational view of the fingernail dryer shown in FIG. 1 shown in an open configuration thereof;

FIG. 9 is a rear elevational view thereof;

FIG. 10 is a left side elevational view thereof;

FIG. 11 is a right side elevational view thereof;

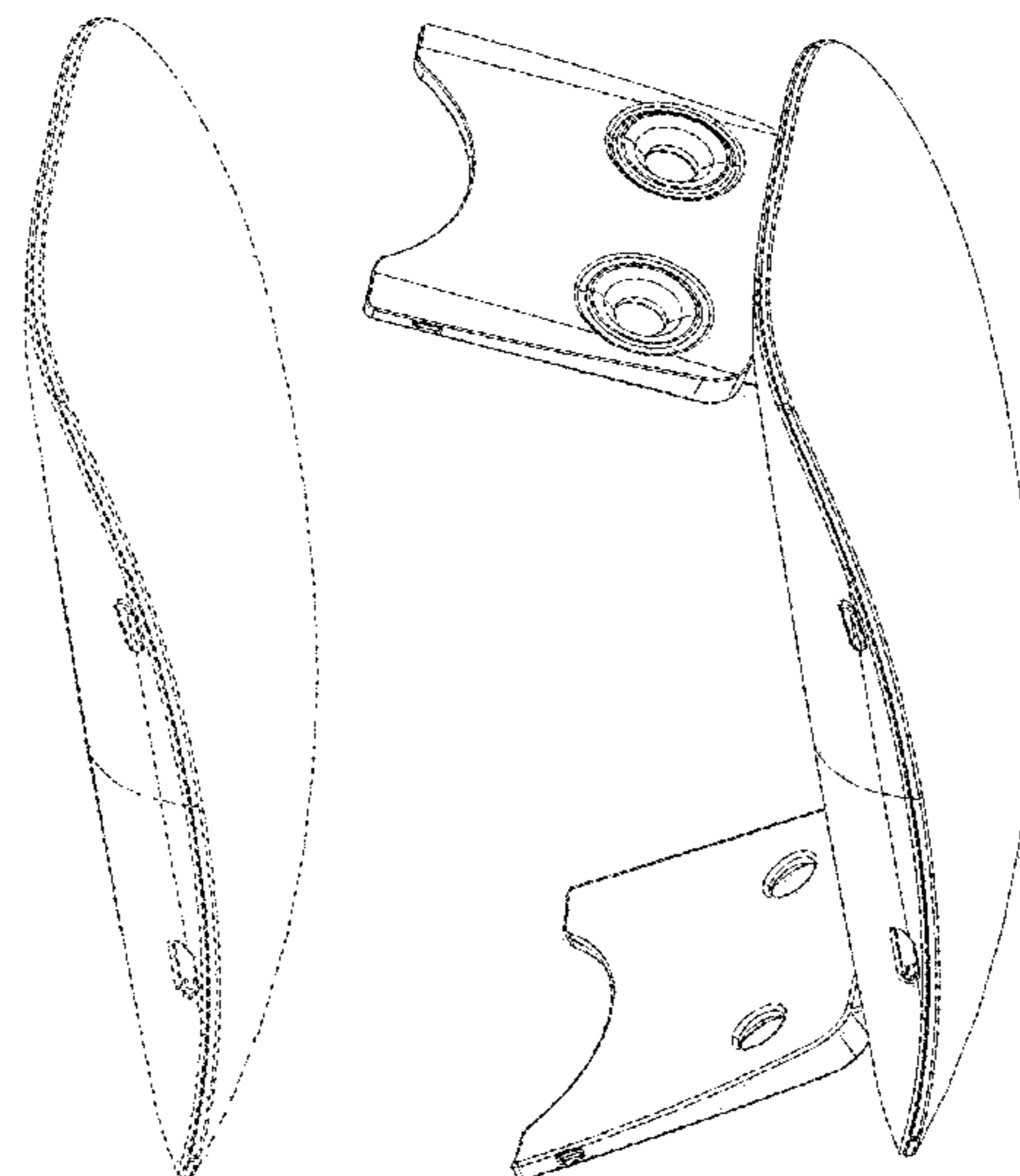
FIG. 12 is a top plan view thereof;

FIG. 13 is a bottom plan view thereof; and,

FIG. 14 is a front, top, right perspective view thereof.

The portions of the fingernail dryer shown in broken lines form no part of the claimed design.

**1 Claim, 14 Drawing Sheets**



(56)

**References Cited**

FOREIGN PATENT DOCUMENTS

CN	304371926	* 11/2017
CN	304371927	* 11/2017
CN	304428711	* 12/2017

\* cited by examiner

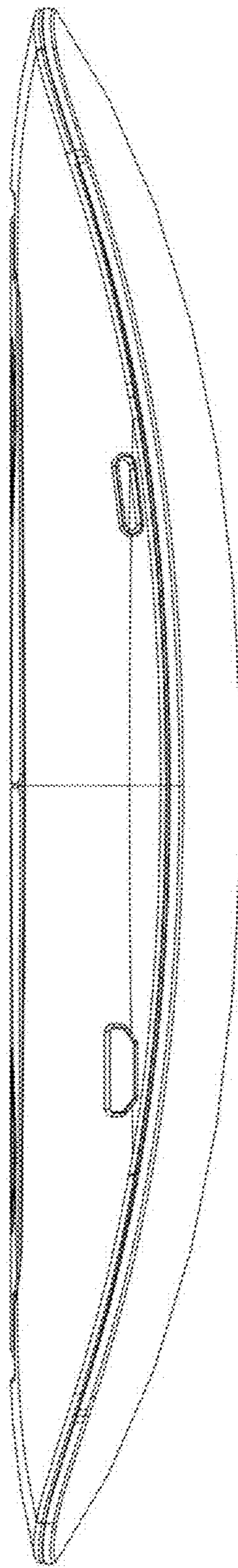


FIG. 1

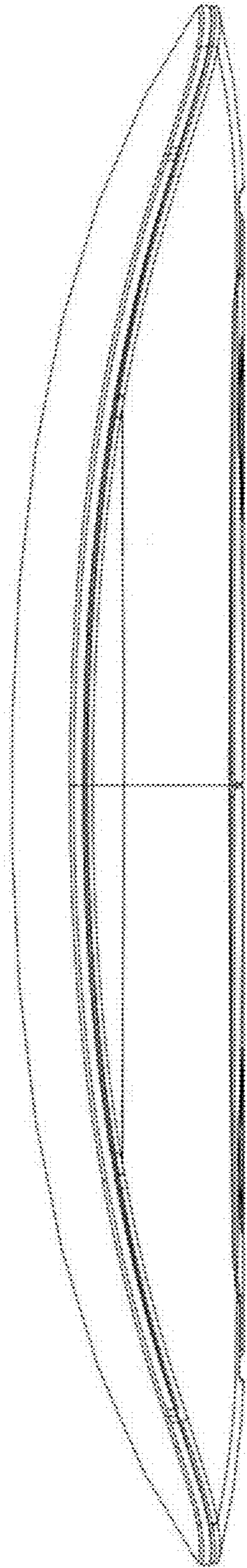


FIG. 2

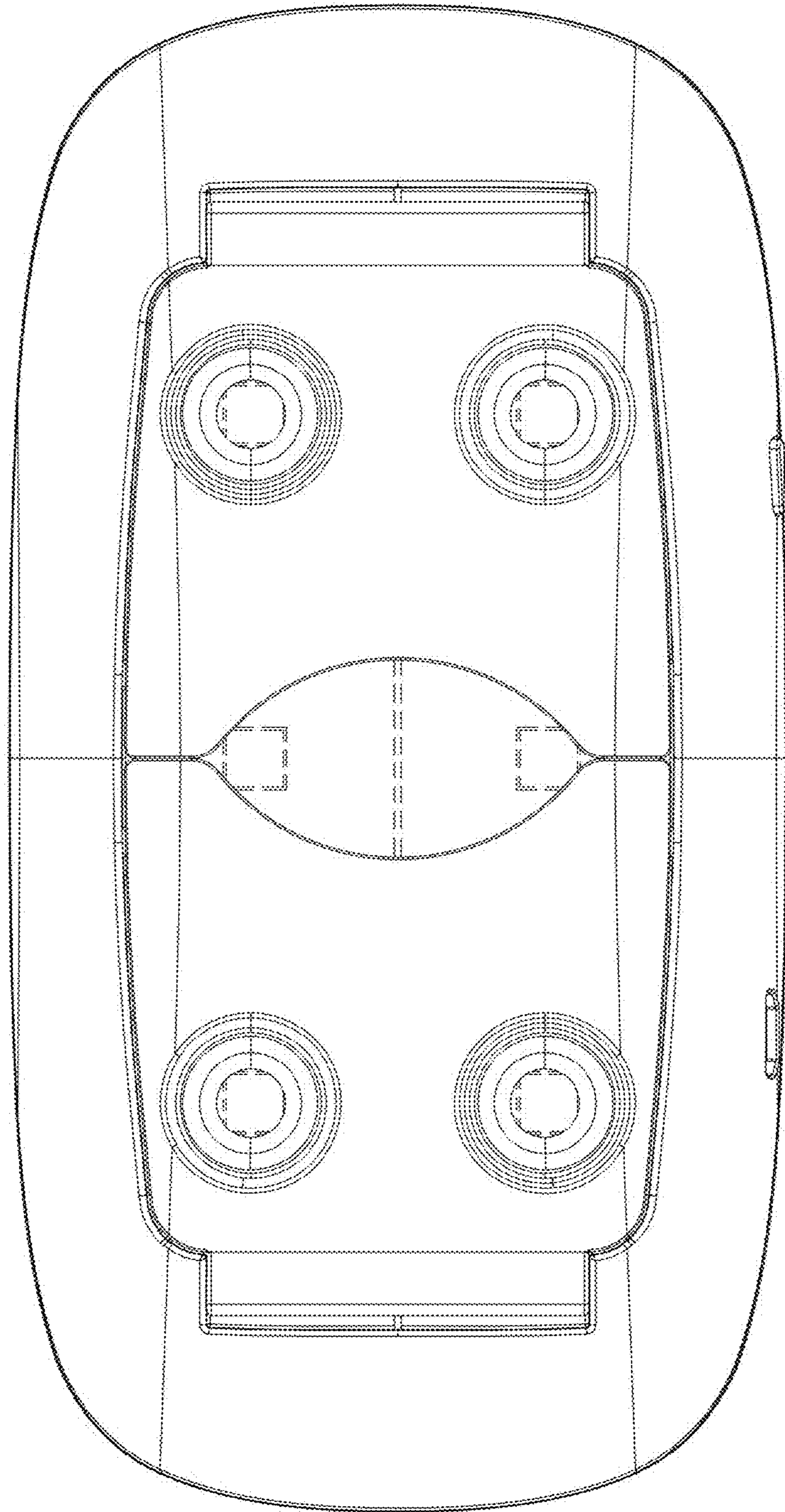


FIG. 3

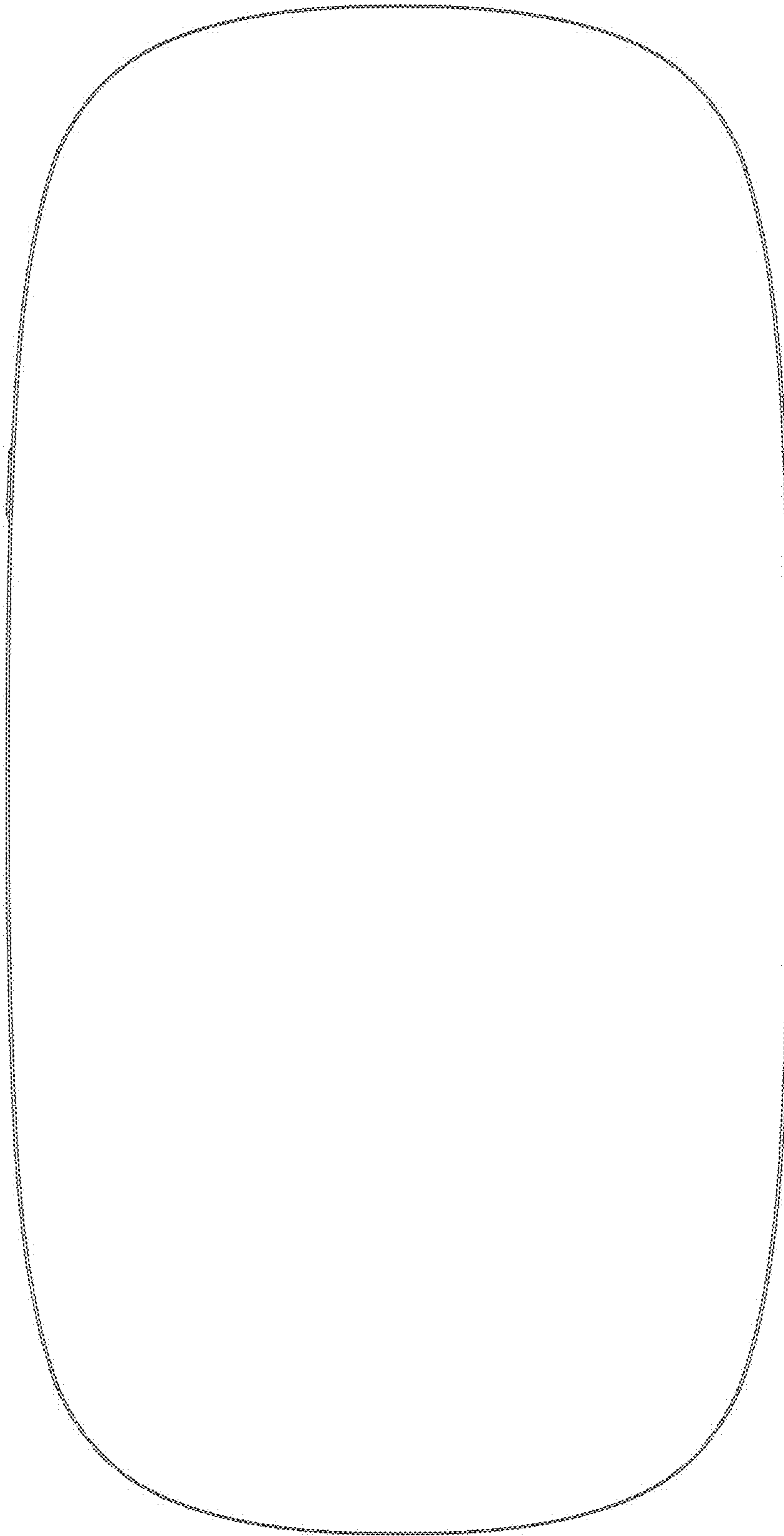


FIG. 4

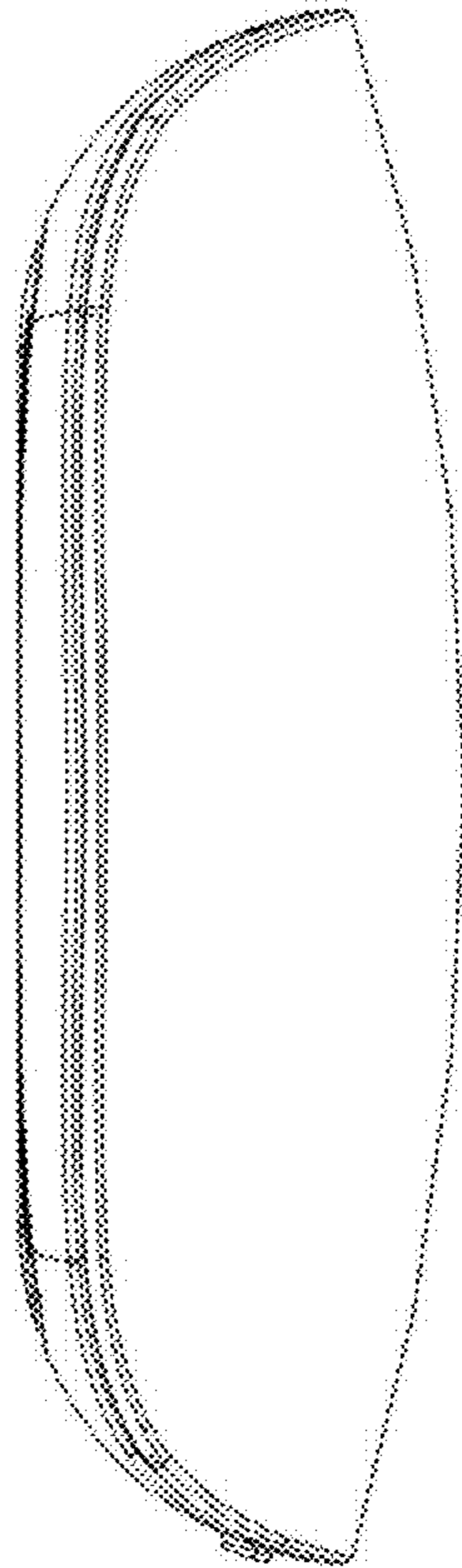


FIG. 5

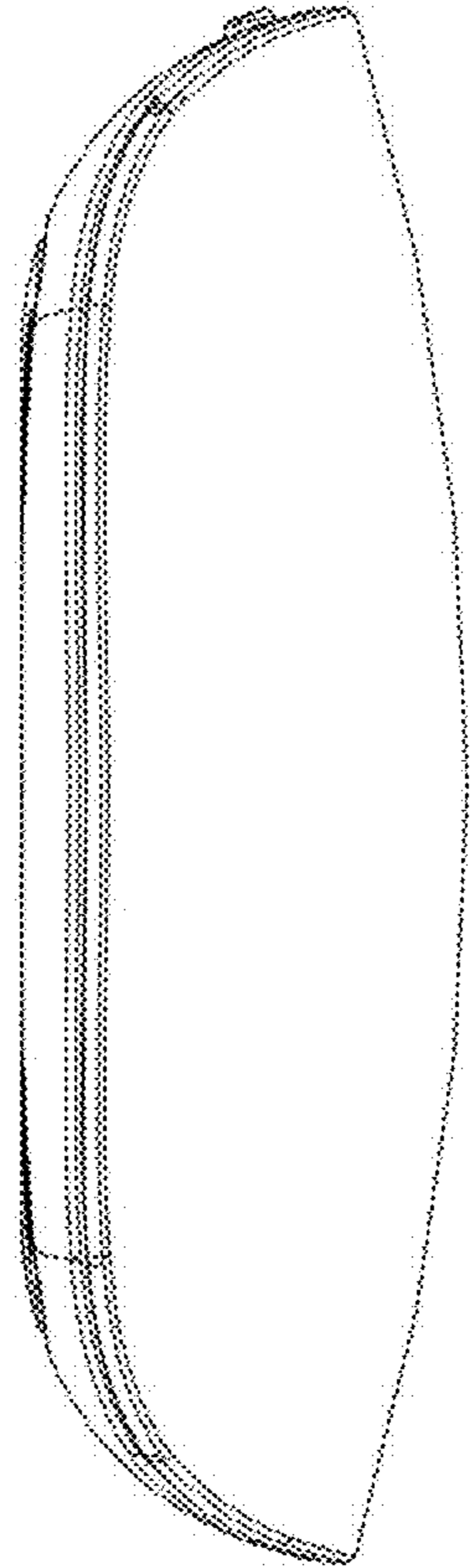


FIG.6



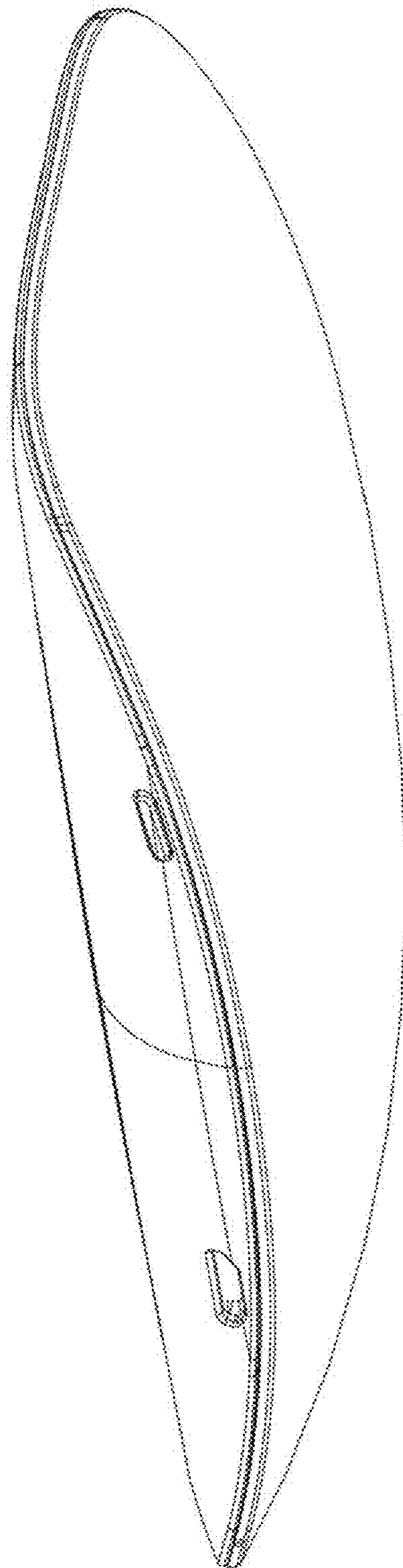


FIG. 7

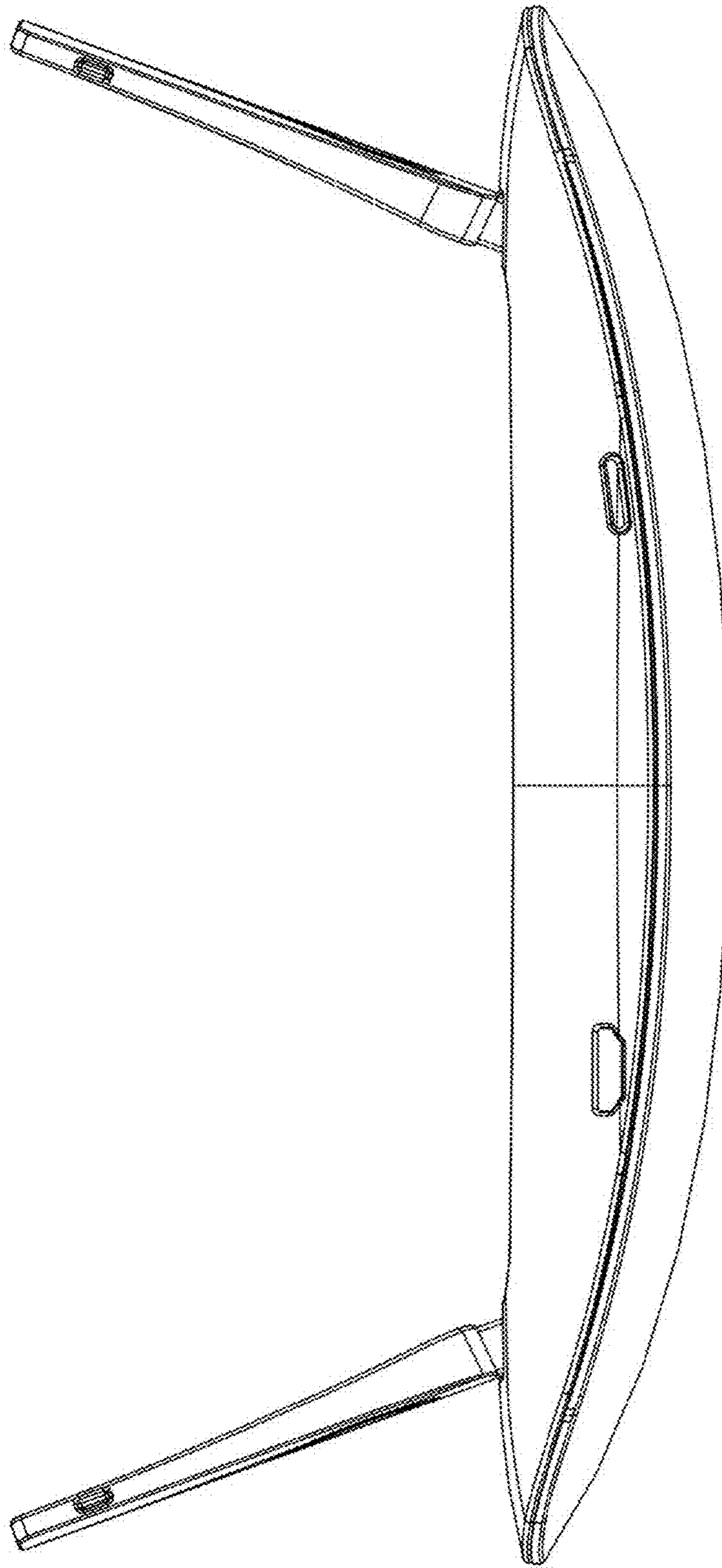


FIG.8

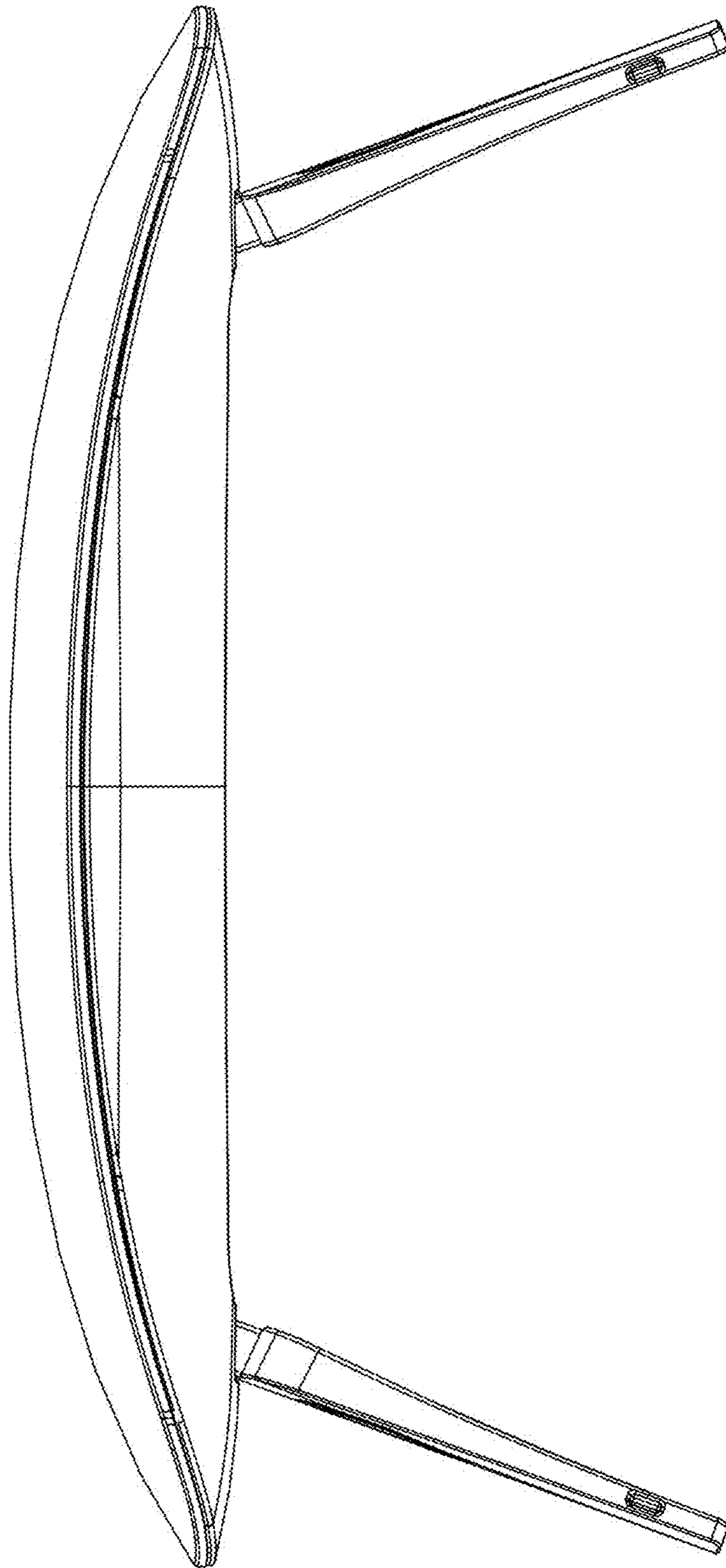


FIG.9

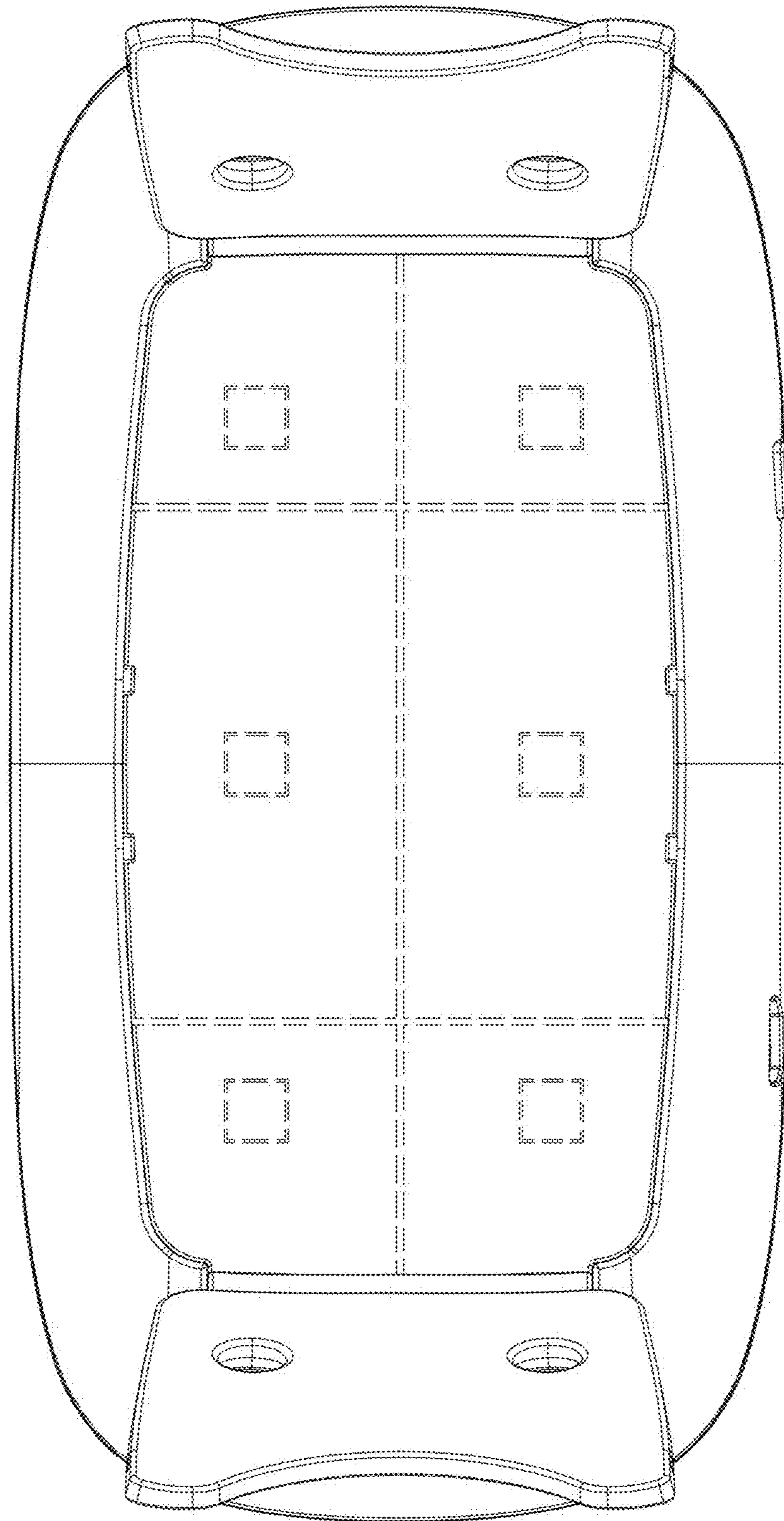


FIG.10

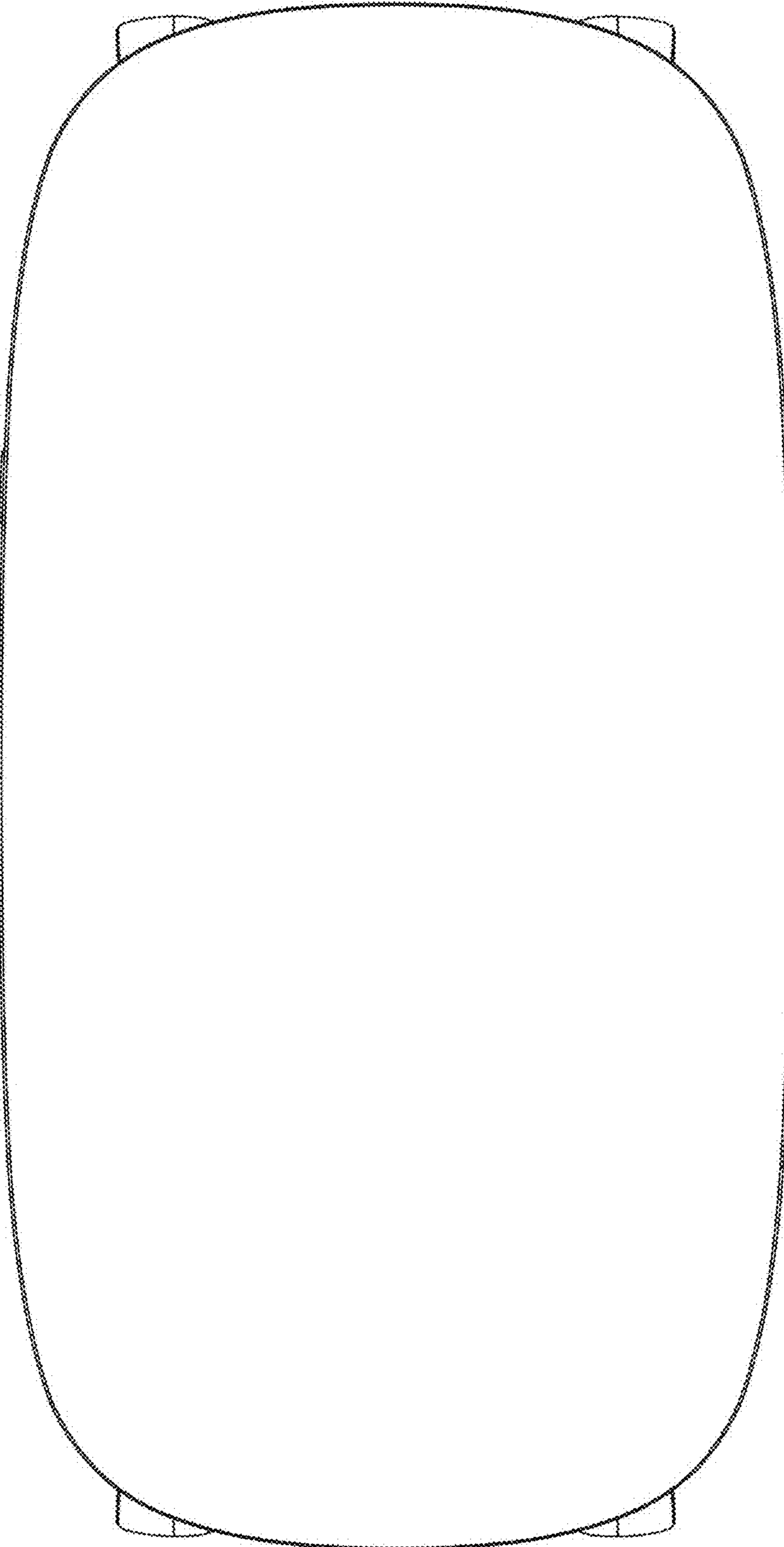


FIG.11

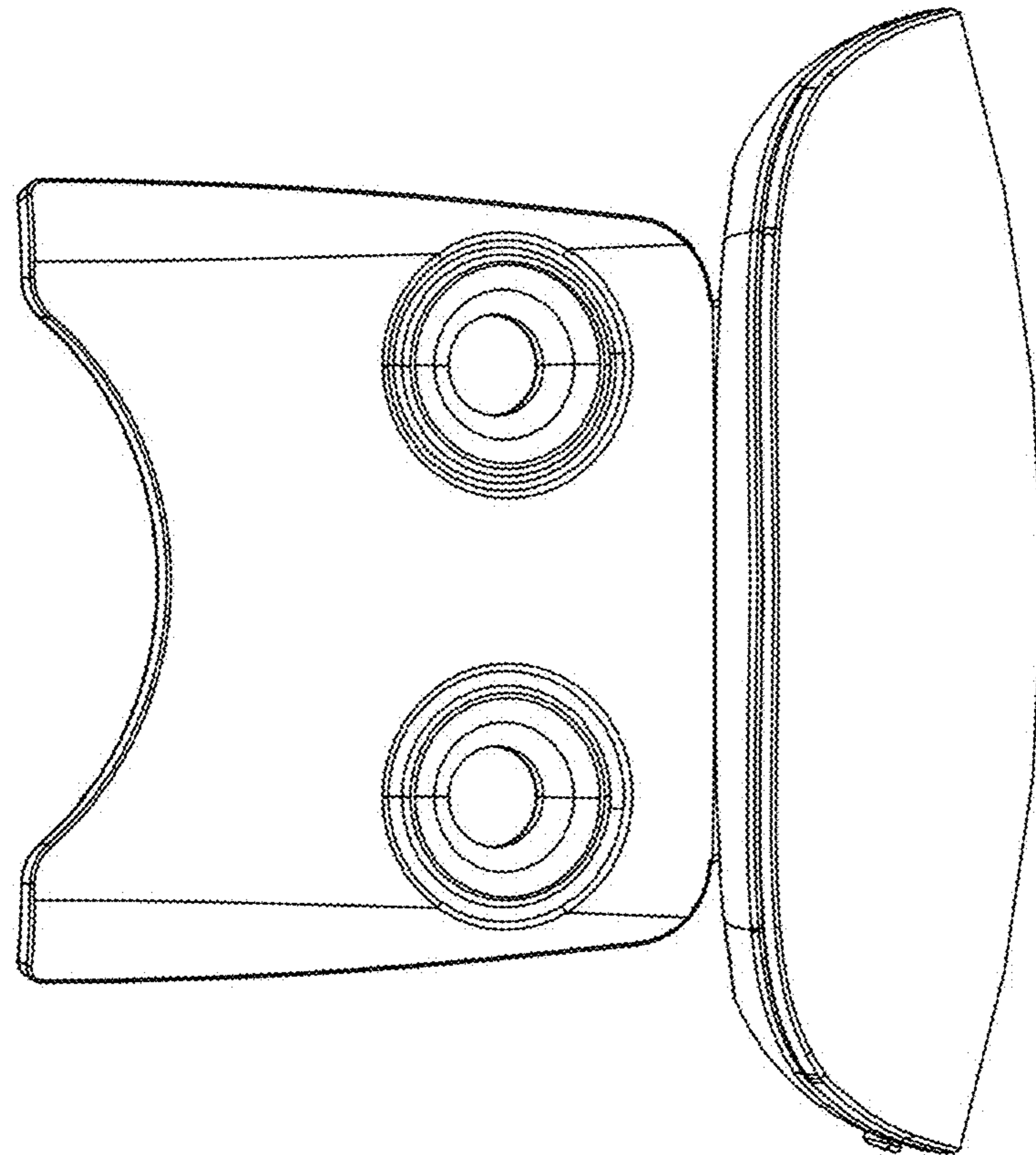


FIG.12

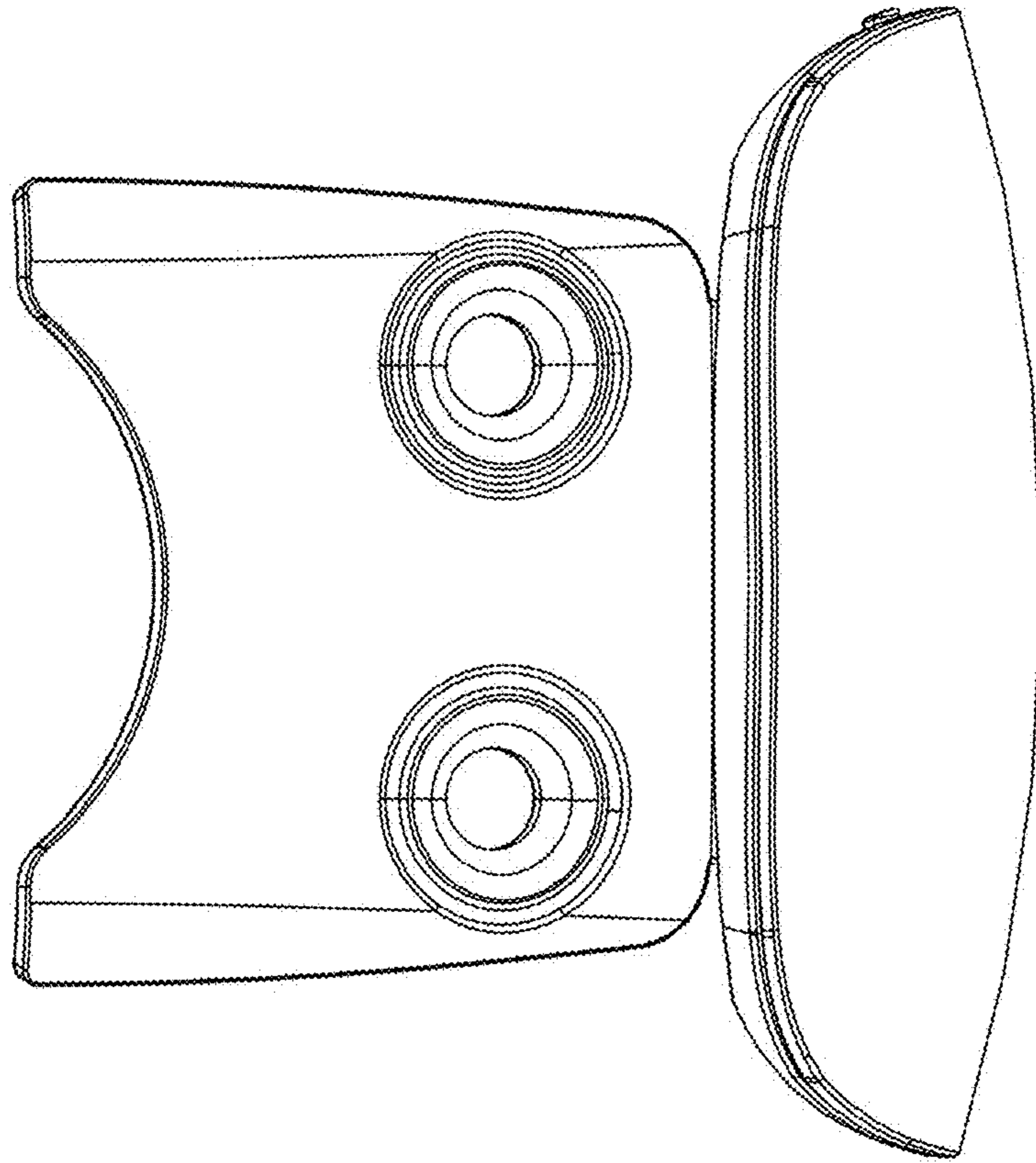


FIG. 13

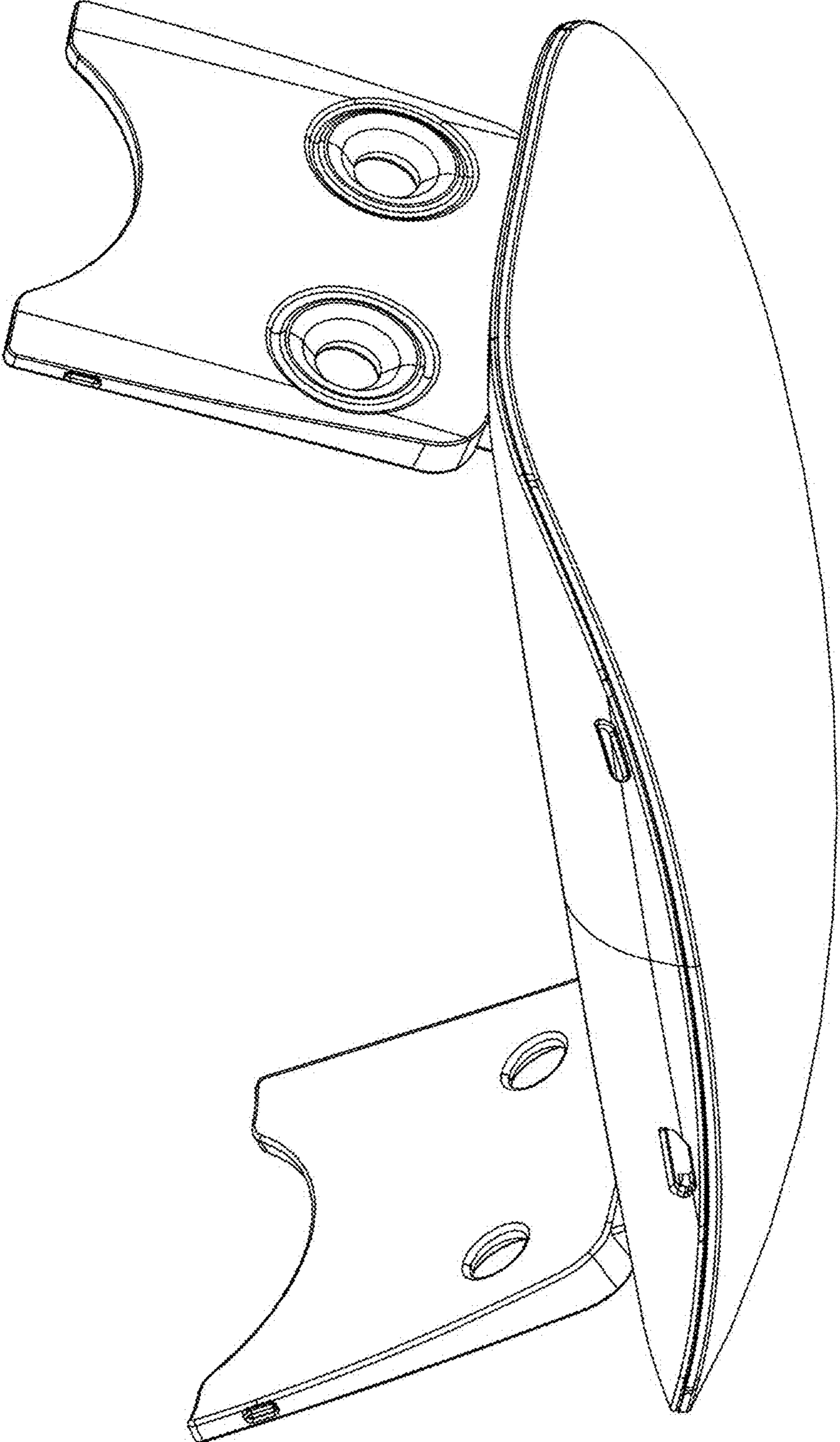


FIG.14