



US00D840104S

(12) **United States Design Patent**
Hussain et al.

(10) **Patent No.:** **US D840,104 S**
(45) **Date of Patent:** **** Feb. 5, 2019**

(54) **COMBINATION PLIER AND TWEEZER**

(71) Applicants: **Muhammad Hussain**, Highland Park, NJ (US); **Farah Hussain**, Highland Park, NJ (US)

(72) Inventors: **Muhammad Hussain**, Highland Park, NJ (US); **Farah Hussain**, Highland Park, NJ (US)

(**) Term: **15 Years**

(21) Appl. No.: **29/612,780**

(22) Filed: **Aug. 3, 2017**

Related U.S. Application Data

(63) Continuation-in-part of application No. 29/579,702, filed on Oct. 3, 2016, now Pat. No. Des. 812,304, and a continuation-in-part of application No. 29/575,258, filed on Aug. 23, 2016, now Pat. No. Des. 809,207, and a continuation-in-part of application No. 29/564,625, filed on May 13, 2016, now Pat. No. Des. 811,661.

(51) **LOC (11) Cl.** **28-03**

(52) **U.S. Cl.**
USPC **D28/55**

(58) **Field of Classification Search**
USPC D28/9, 55-57, 60; 294/3, 8.5, 11, 27.1, 294/30, 99.1-99.2, 103.1, 119; 606/133, 606/210; D24/143; D8/4, 52; D16/100, D16/135; 132/73-76.5; 359/811, 817; 30/29, 124

CPC . A47J 43/283; B25B 9/02; B25B 9/04; B25B 27/205; A47G 21/103

See application file for complete search history.

(56) **References Cited**

U.S. PATENT DOCUMENTS

421,925 A * 2/1890 Graves G04D 1/08
29/232
468,746 A * 2/1892 How A61C 3/14
433/159

740,549 A * 10/1903 Gilbert A61C 5/85
433/162
955,955 A * 4/1910 Engelsman B25B 9/02
294/99.2
1,174,004 A * 2/1916 Greenwald B25B 9/02
294/99.2
1,198,958 A * 9/1916 Risley B25B 9/02
294/99.2
3,265,068 A * 8/1966 Holohan A61B 17/30
294/99.2
D227,040 S * 5/1973 Lockwood D24/143
3,815,609 A * 6/1974 Chester A61B 17/30
24/562
3,906,957 A * 9/1975 Weston A61B 17/2804
24/562
4,001,940 A * 1/1977 Cusato A61C 3/00
29/229
6,322,363 B1 * 11/2001 Beecher A61C 3/10
433/159

(Continued)

Primary Examiner — Shannon W Morgan

Assistant Examiner — Altaira J Swangin

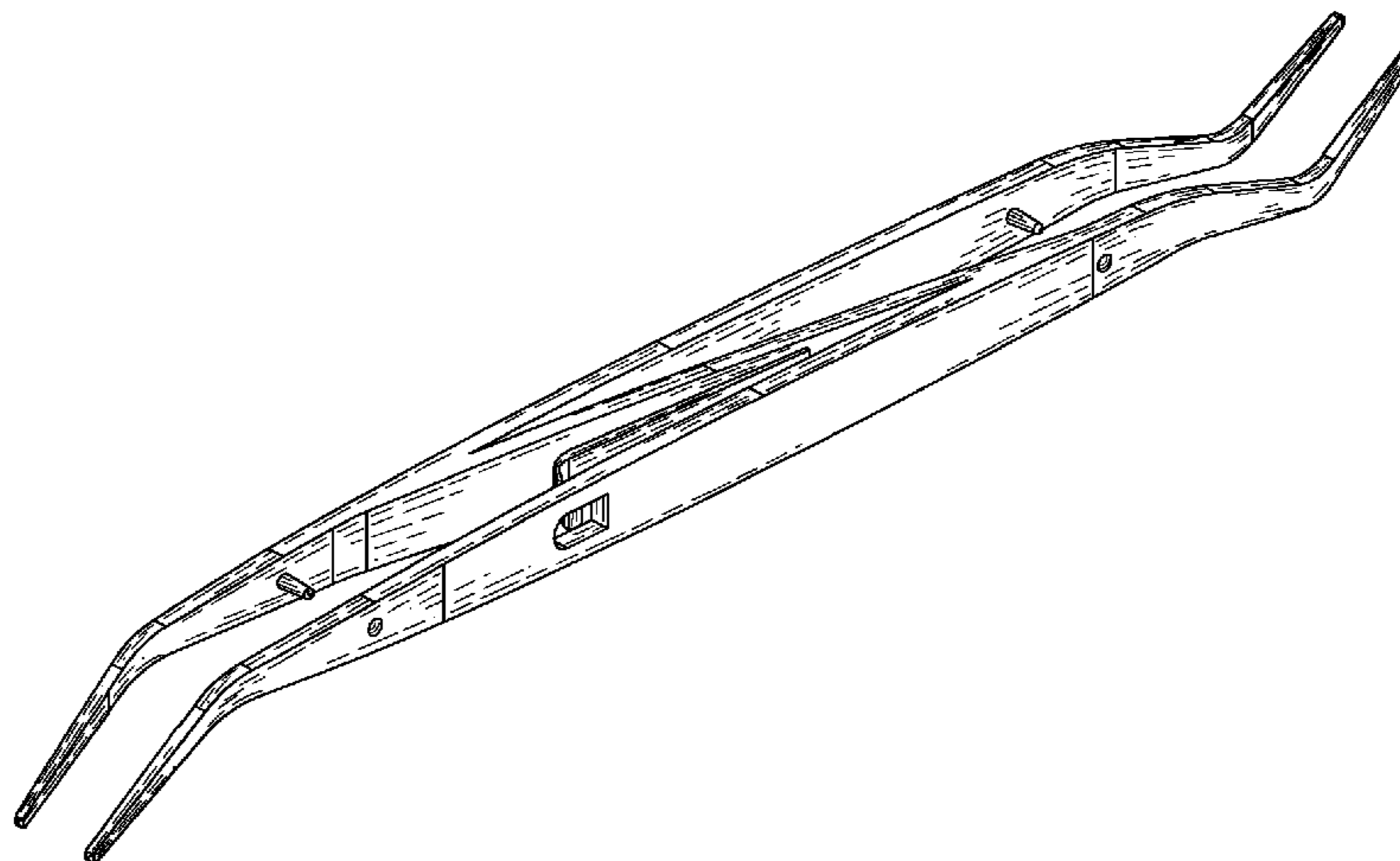
(57) **CLAIM**

The ornamental design for a combination plier and tweezer, as shown and described.

DESCRIPTION

FIG. 1 is a top, front, left perspective view of a combination plier and tweezer;
FIG. 2 is a front elevational view thereof;
FIG. 3 is a rear elevational view thereof;
FIG. 4 is a right side elevational view thereof;
FIG. 5 is a left side elevational view thereof;
FIG. 6 is a top plan view thereof; and,
FIG. 7 is a bottom plan view thereof.

1 Claim, 7 Drawing Sheets



(56)

References Cited

U.S. PATENT DOCUMENTS

6,431,864 B1 * 8/2002 Silverstein A61C 3/10
433/159
D521,685 S * 5/2006 Cho D28/55
D532,553 S * 11/2006 Ross D28/55
D559,457 S * 1/2008 Garland D28/55
D575,904 S * 8/2008 Iqbal D24/143
8,088,142 B2 * 1/2012 Yamada A61B 17/0057
606/210
D738,611 S * 9/2015 Gupta D28/55
D753,881 S 4/2016 Hussain et al.
D795,429 S * 8/2017 Wright D24/152
D796,673 S * 9/2017 Secord D24/143
9,751,194 B2 * 9/2017 Hussain B25B 9/02
D811,661 S * 2/2018 Hussain D28/55
D818,123 S * 5/2018 Hussain D24/143
D825,057 S * 8/2018 Pfeffer D24/143
D825,755 S * 8/2018 Pfeffer D24/143
D826,019 S * 8/2018 Keehner D8/51
D828,629 S * 9/2018 Hussain D28/55
2003/0042746 A1 * 3/2003 Prodanic A47G 21/10
294/99.2
2004/0142303 A1 * 7/2004 Dryer A61C 3/00
433/153
2006/0129187 A1 * 6/2006 Cho A45D 26/0066
606/210
2013/0341941 A1 * 12/2013 Stayton B25B 9/02
294/99.2
2014/0325846 A1 11/2014 Hussain
2016/0166039 A1 * 6/2016 Luu A45D 26/0066
30/175
2016/0279766 A1 9/2016 Hussain et al.
2017/0014976 A1 * 1/2017 Shahpurwala B25B 9/02

* cited by examiner

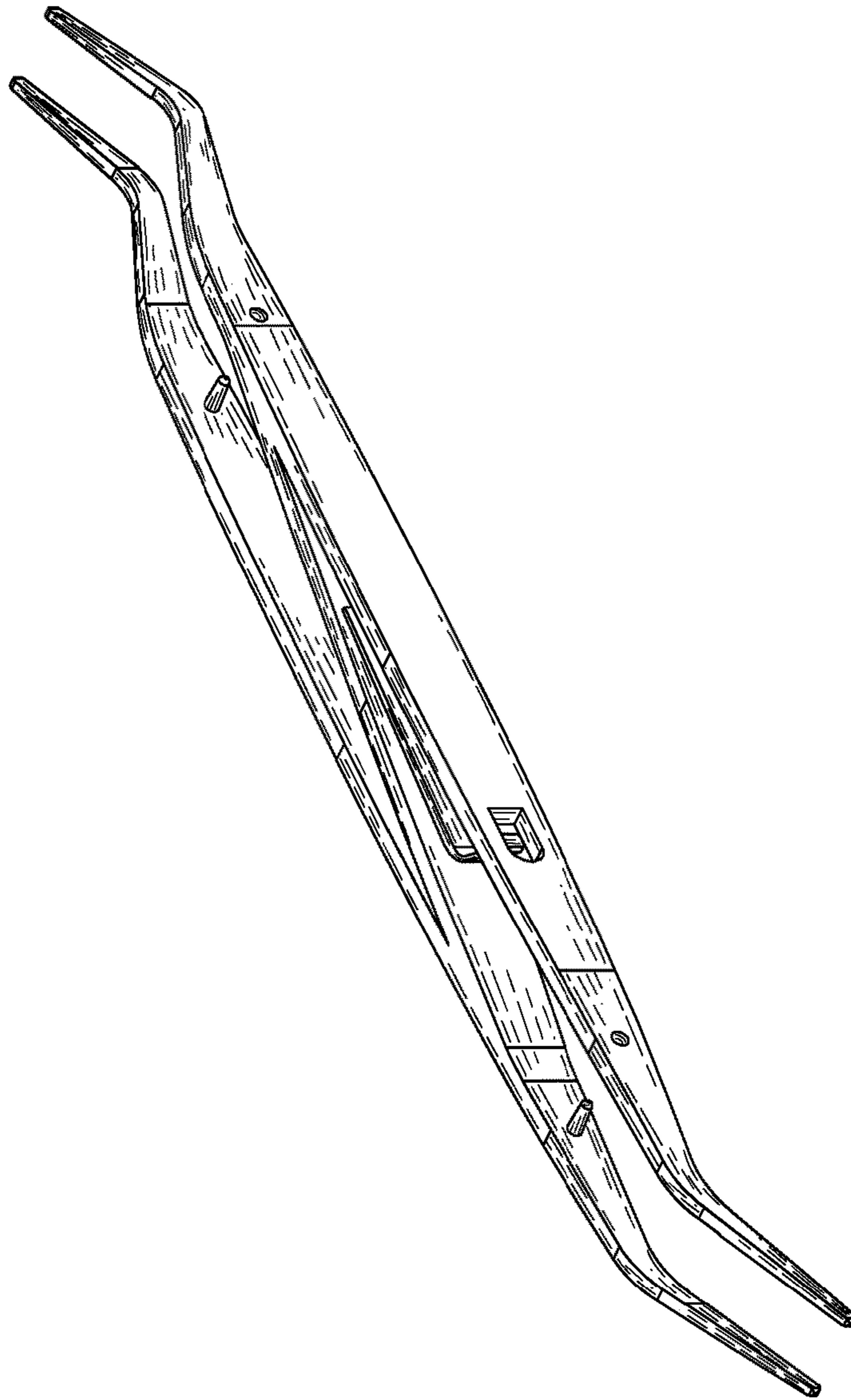


FIG. 1



FIG. 2

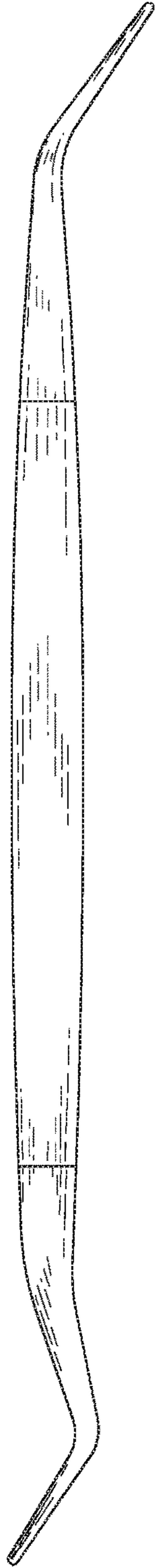


FIG. 3

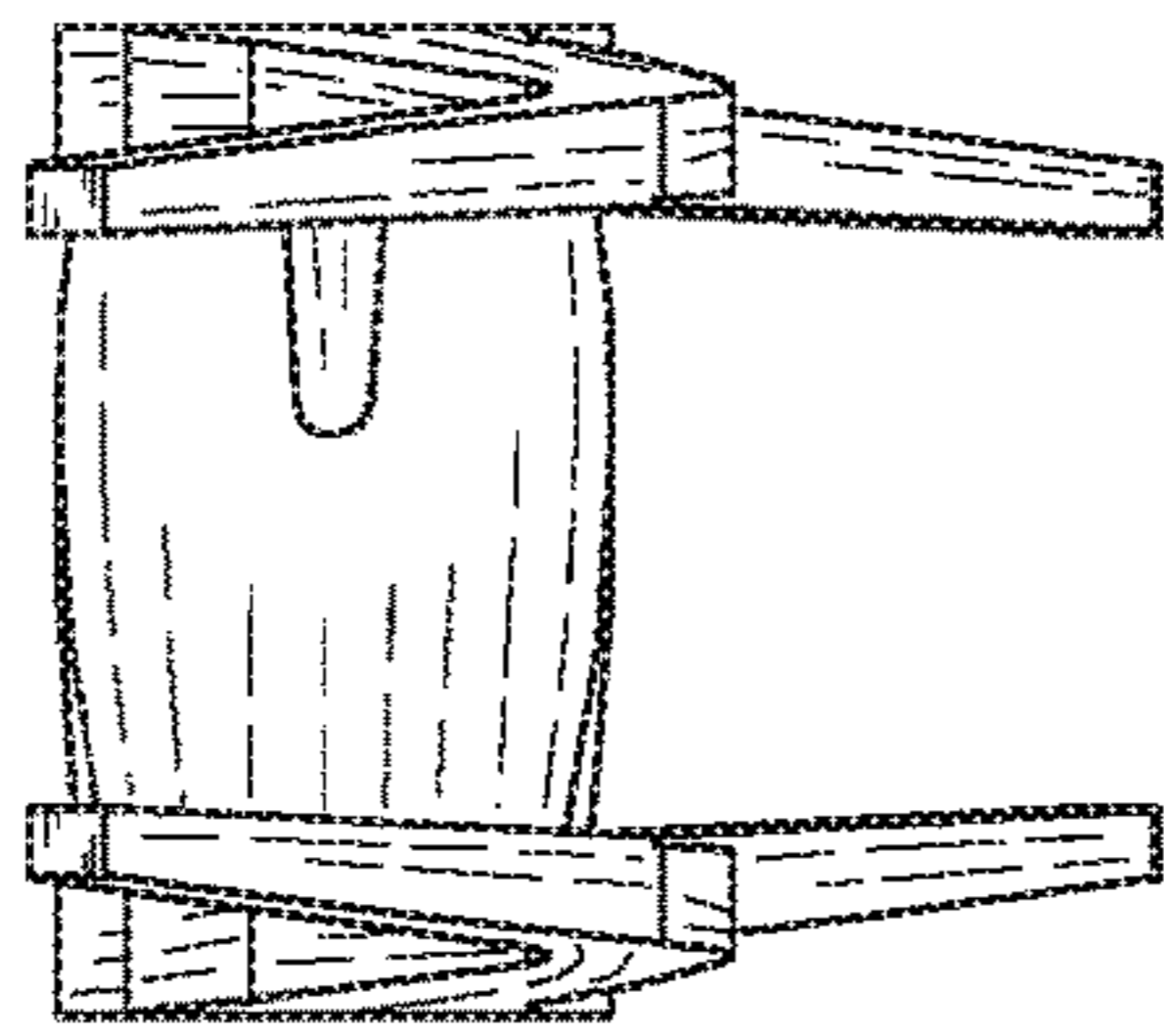


FIG. 4

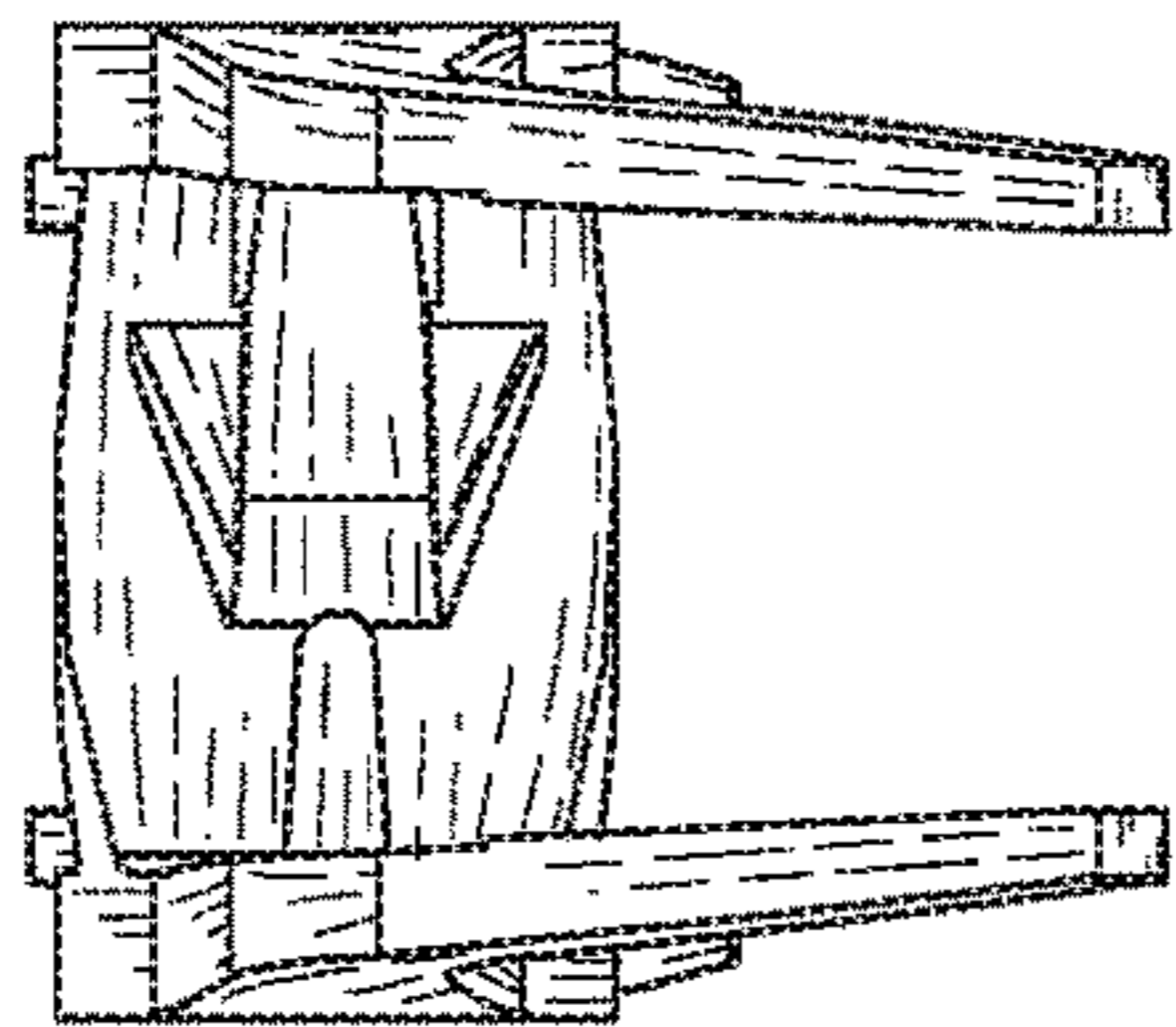


FIG. 5

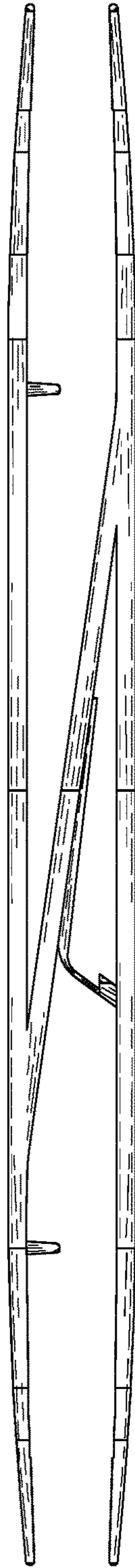


FIG. 6



FIG. 7