

US00D840103S

(12) **United States Design Patent**
Cheung

(10) **Patent No.:** **US D840,103 S**

(45) **Date of Patent:** **** Feb. 5, 2019**

(54) **LOOP RAZOR**

(71) Applicant: **Maggie Cheung**, Hong Kong (HK)

(72) Inventor: **Maggie Cheung**, Hong Kong (HK)

(**) Term: **15 Years**

(21) Appl. No.: **29/618,607**

(22) Filed: **Sep. 22, 2017**

(51) **LOC (11) Cl.** **28-03**

(52) **U.S. Cl.**

USPC **D28/45**

(58) **Field of Classification Search**

USPC D28/45-48

CPC B26B 21/14-21/227; B26B 21/08-21/32;

B26B 21/446; B26B 21/40; B26B

21/4012-21/4031; B26B 21/4043; B26B

21/4068-21/4075; B26B 21/52-21/528;

B26B 21/54-21/56; B26B 21/06; B26B

21/443; B26B 21/22; B26B 21/565

See application file for complete search history.

(56) **References Cited**

U.S. PATENT DOCUMENTS

2,421,205 A * 5/1947 Kingsley B26B 21/16

30/49

4,208,791 A * 6/1980 Van Cleve B26B 21/18

30/346.58

5,199,173 A * 4/1993 Hegemann B26B 21/165

30/49

D371,221 S * 6/1996 Attaway D28/46

5,979,056 A * 11/1999 Andrews B26B 21/00

30/356

7,730,619 B2 * 6/2010 Ozenick B26B 21/222

30/49

OTHER PUBLICATIONS

Hair Tattoo Trim Device, www.amazon.com, 1 page, reviewed as early as Jan. 2018.*

On Point Razor Pen, www.youtube.com, 1 page, published Dec. 2017.*

* cited by examiner

Primary Examiner — Jennifer Rivard

(74) *Attorney, Agent, or Firm* — Jeffrey Sonnabend; SonnabendLaw

(57) **CLAIM**

The ornamental design for a loop razor, as shown and described.

DESCRIPTION

FIG. 1 is a top isometric view of the claimed design.

FIG. 2 is an elevation view of the right side of the claimed design.

FIG. 3 is an elevation view of the left side of the claimed design.

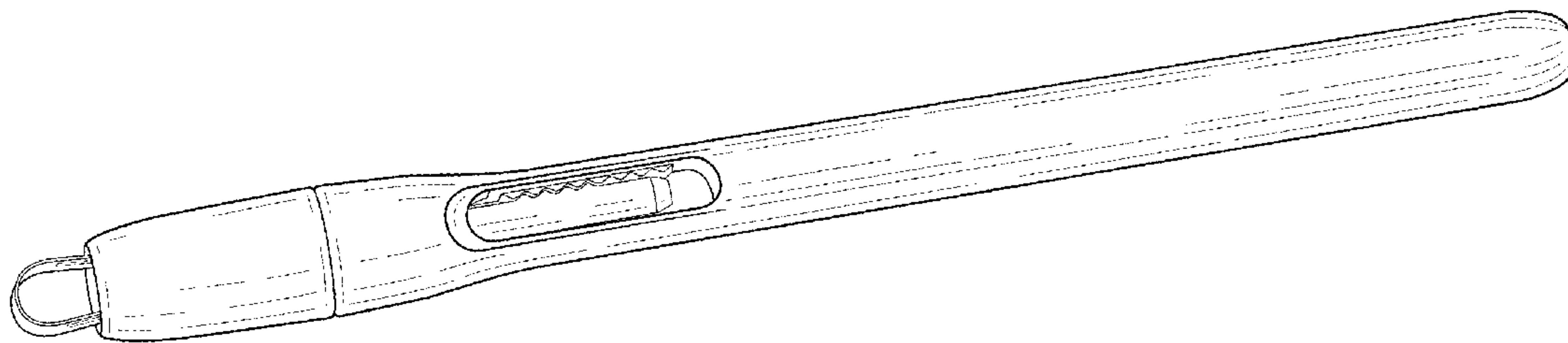
FIG. 4 is a top plan view of the claimed design.

FIG. 5 is a bottom plan view of the claimed design.

FIG. 6 is a front view of the claimed design; and,

FIG. 7 is a rear view of the claimed design.

1 Claim, 6 Drawing Sheets



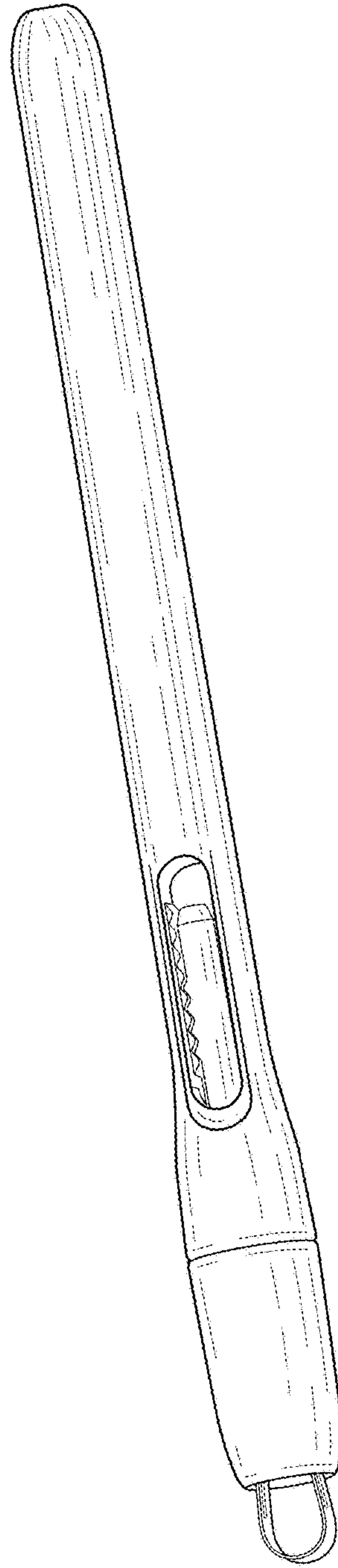


FIG. 1

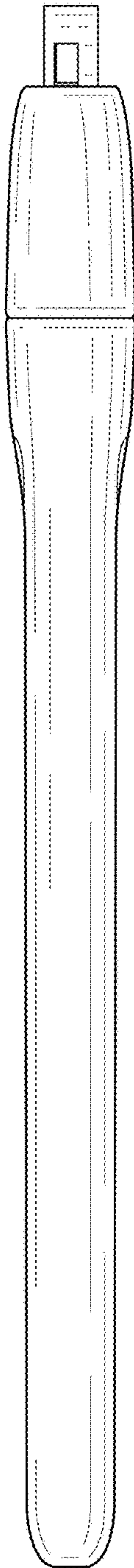


FIG. 2

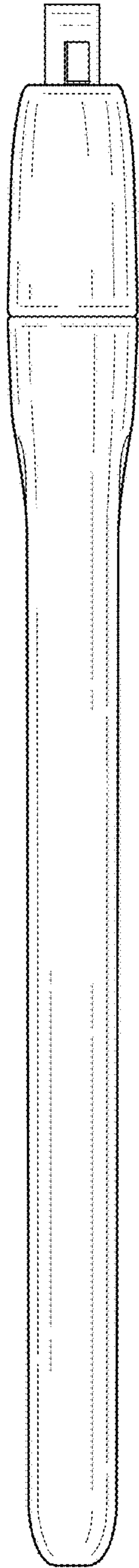


FIG. 3

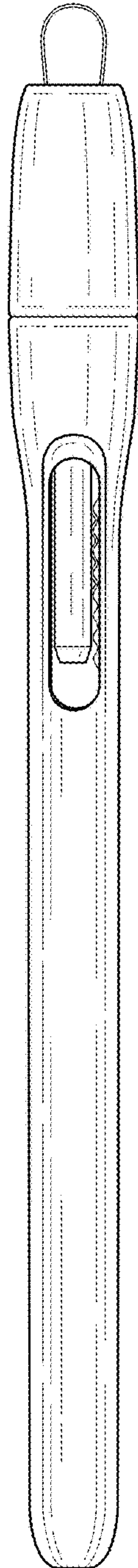


FIG. 4

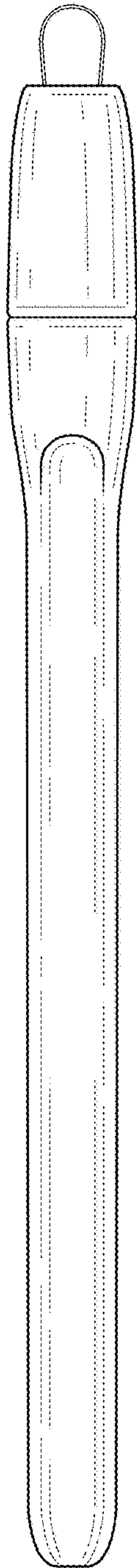


FIG. 5

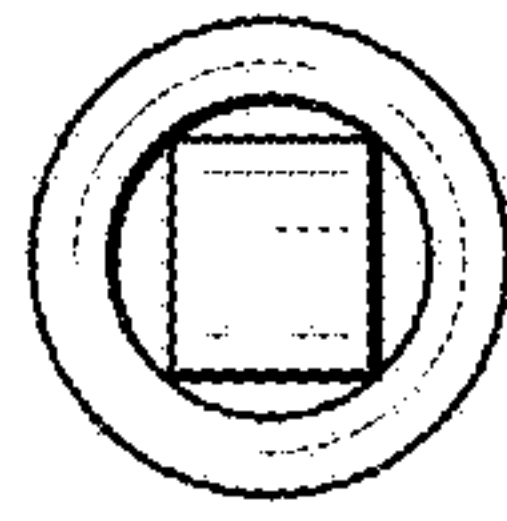


FIG. 6

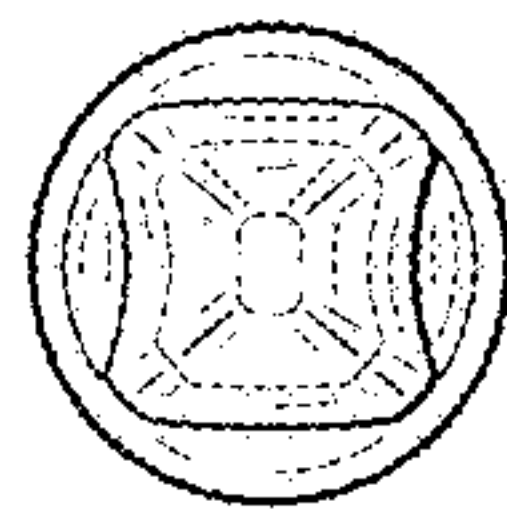


FIG. 7