



US00D840102S

(12) **United States Design Patent**  
**Cheung**

(10) **Patent No.:** **US D840,102 S**

(45) **Date of Patent:** **\*\* Feb. 5, 2019**

(54) **LOOP RAZOR**

(71) Applicant: **Maggie Cheung**, Hong Kong (HK)

(72) Inventor: **Maggie Cheung**, Hong Kong (HK)

(\*\*) Term: **15 Years**

(21) Appl. No.: **29/618,606**

(22) Filed: **Sep. 22, 2017**

(51) **LOC (11) Cl.** ..... **28-03**

(52) **U.S. Cl.**

USPC ..... **D28/45**

(58) **Field of Classification Search**

USPC ..... D28/45-48

CPC ..... B26B 21/14-21/227; B26B 21/08-21/32;  
B26B 21/446; B26B 21/40; B26B  
21/4012-21/4031; B26B 21/4043; B26B  
21/4068-21/4075; B26B 21/52-21/528;  
B26B 21/54-21/56; B26B 21/06; B26B  
21/443; B26B 21/22; B26B 21/565

See application file for complete search history.

(56) **References Cited**

**U.S. PATENT DOCUMENTS**

- 2,421,205 A \* 5/1947 Kingsley ..... B26B 21/16  
30/49
- 4,208,791 A \* 6/1980 Van Cleve ..... B26B 21/18  
30/346.58
- 5,199,173 A \* 4/1993 Hegemann ..... B26B 21/165  
30/49

- D371,221 S \* 6/1996 Attaway ..... D28/46
- 5,979,056 A \* 11/1999 Andrews ..... B26B 21/00  
30/356
- 7,730,619 B2 \* 6/2010 Ozenick ..... B26B 21/222  
30/49

**OTHER PUBLICATIONS**

Hair Tattoo Trim Device, www.amazon.com, 1 page, reviewed as early as Jan. 2018.\*  
On Point Razor Pen, www.youtube.com, 1 page, published Dec. 2017.\*

\* cited by examiner

*Primary Examiner* — Jennifer Rivard  
(74) *Attorney, Agent, or Firm* — Jeffrey Sonnabend;  
SonnabendLaw

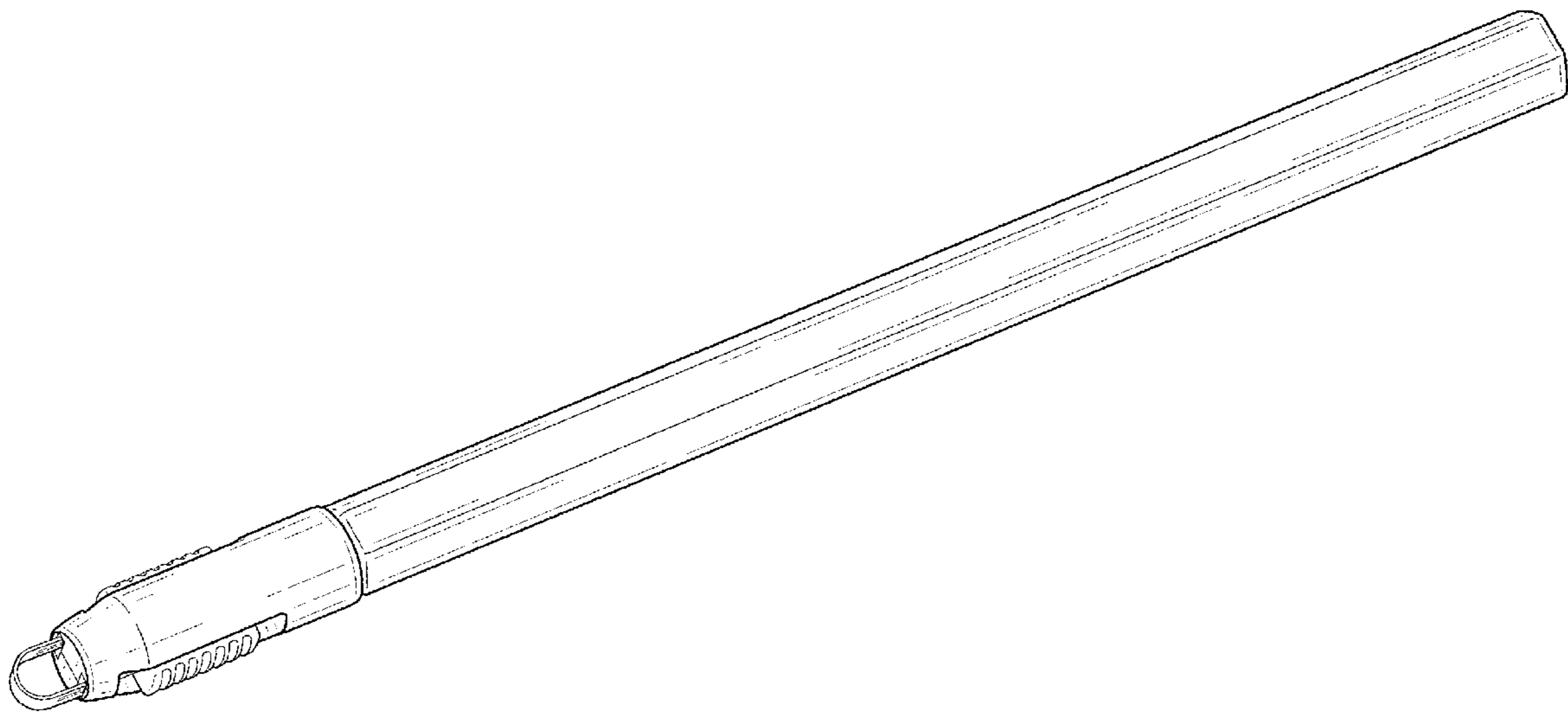
(57) **CLAIM**

The ornamental design for a loop razor, as shown and described.

**DESCRIPTION**

FIG. 1 is a top isometric view of the claimed design.  
FIG. 2 is a bottom plan view of the claimed design.  
FIG. 3 is an elevation view of the right side of the claimed design.  
FIG. 4 is an elevation view of the left side of the claimed design.  
FIG. 5 is a front view of the claimed design; and,  
FIG. 6 is a rear view of the claimed design.  
The broken lines in FIG. 6 illustrate a portion of the loop razor and form no part of the claimed design.

**1 Claim, 5 Drawing Sheets**



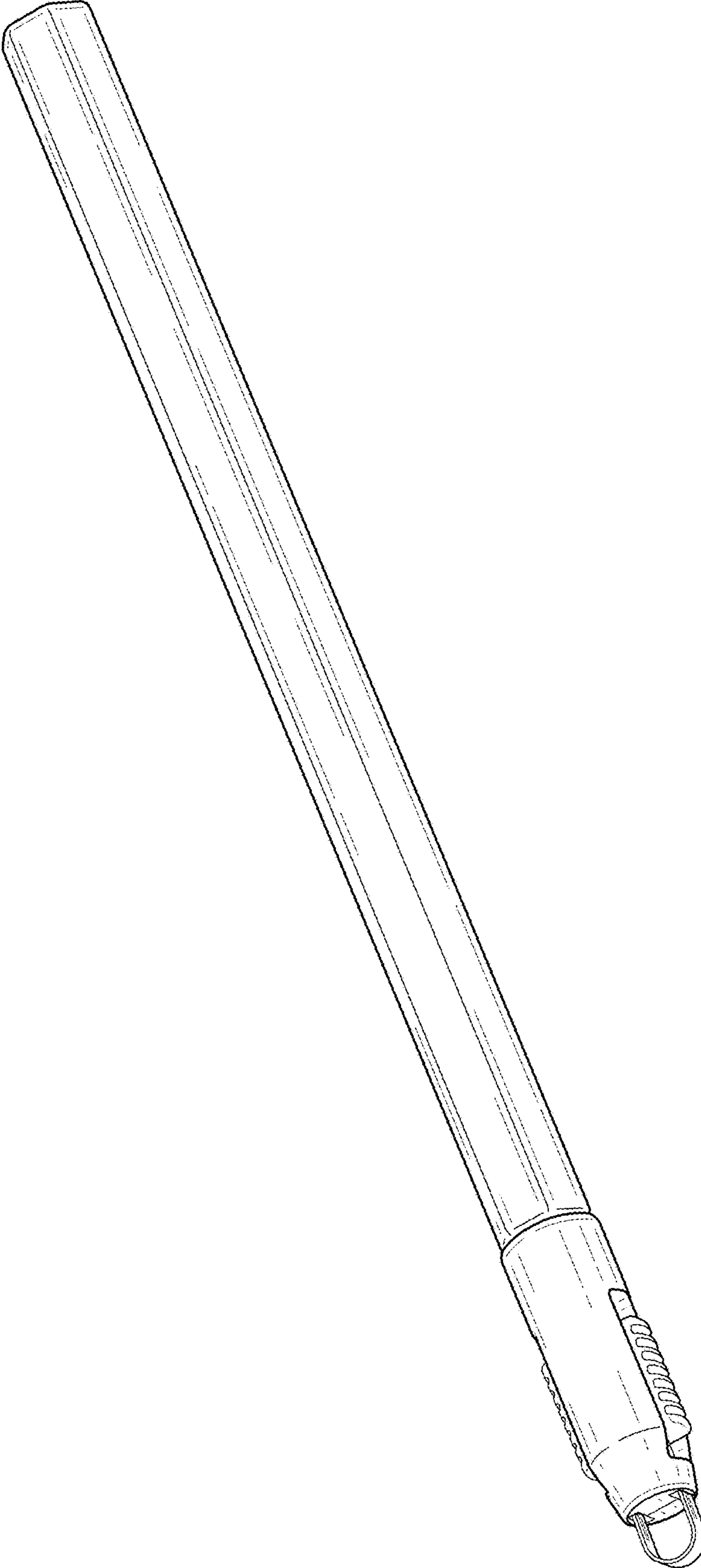


FIG. 1

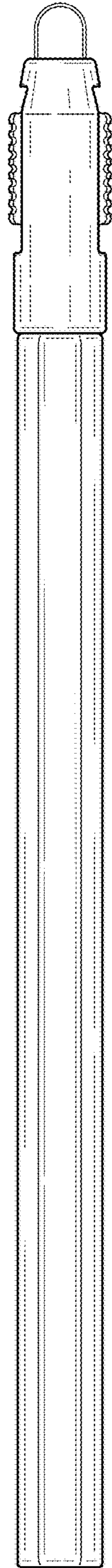


FIG. 2

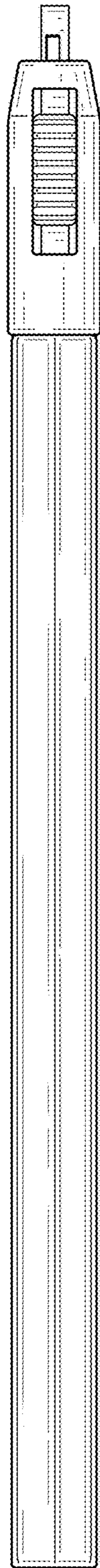


FIG. 3

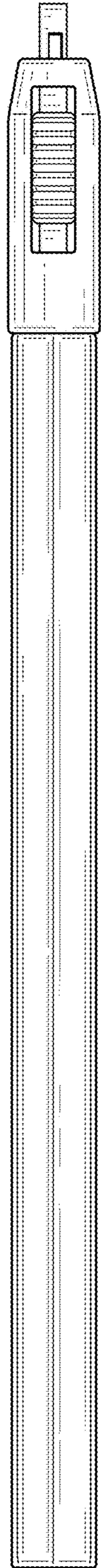


FIG. 4

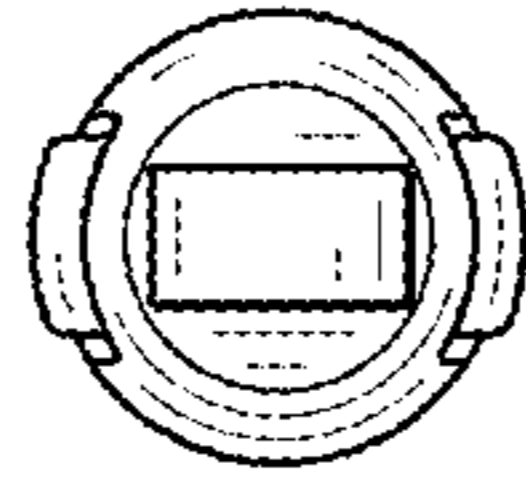


FIG. 5



FIG. 6