



US00D840100S

(12) **United States Design Patent** (10) **Patent No.:** **US D840,100 S**
Gonzalez et al. (45) **Date of Patent:** **** Feb. 5, 2019**

(54) **BASE FOR AN INTERCHANGEABLE
BARREL HAIR CURLING IRON**

(71) Applicants: **Adrian Gonzalez**, El Paso, TX (US);
Gary Koenemann, El Paso, TX (US);
Thomas Dooley, Springfield, PA (US)

(72) Inventors: **Adrian Gonzalez**, El Paso, TX (US);
Gary Koenemann, El Paso, TX (US);
Thomas Dooley, Springfield, PA (US)

(73) Assignee: **HELEN OF TROY LIMITED**, St.
Michael (BB)

(**) Term: **15 Years**

(21) Appl. No.: **29/581,429**

(22) Filed: **Oct. 19, 2016**

(51) **LOC (11) Cl.** **28-03**

(52) **U.S. Cl.**
USPC **D28/38**

(58) **Field of Classification Search**
USPC D28/38, 61, 73; D3/205, 206, 254, 259,
D3/269; D9/424, 456, 756, 758;
D6/682, 682.1, 682.4; D8/71;
206/349-350, 361-362; D19/23, 75, 77,
D19/92-93, 102, 135
CPC . B25H 3/00; B25H 3/003; B25H 3/06; B25H
1/04; B25H 1/12
See application file for complete search history.

(56) **References Cited**

U.S. PATENT DOCUMENTS

D87,660 S *	8/1932	Brekke	132/73
D120,125 S *	4/1940	Korda	D9/751
D149,335 S *	4/1948	Beatty	D19/23
D159,265 S *	7/1950	Jones	132/73.5
D162,766 S *	4/1951	Wray	211/74

(Continued)

OTHER PUBLICATIONS

Curl Bar, Hot Tools, published at modernsalon.com, posted by Elizabeth Jakaitis on Jul. 31, 2017 © 2018 Modern Salon, online, site visited Jun. 18, 2018. Available from Internet, URL: <https://www.modernsalon.com/product/79103/hot-tools-introduces-the-curlbar-set-with-four-interchangeable-barrels> (Year: 2017).*

Primary Examiner — Shannon W Morgan
Assistant Examiner — Altaira J Swangin

(57) **CLAIM**

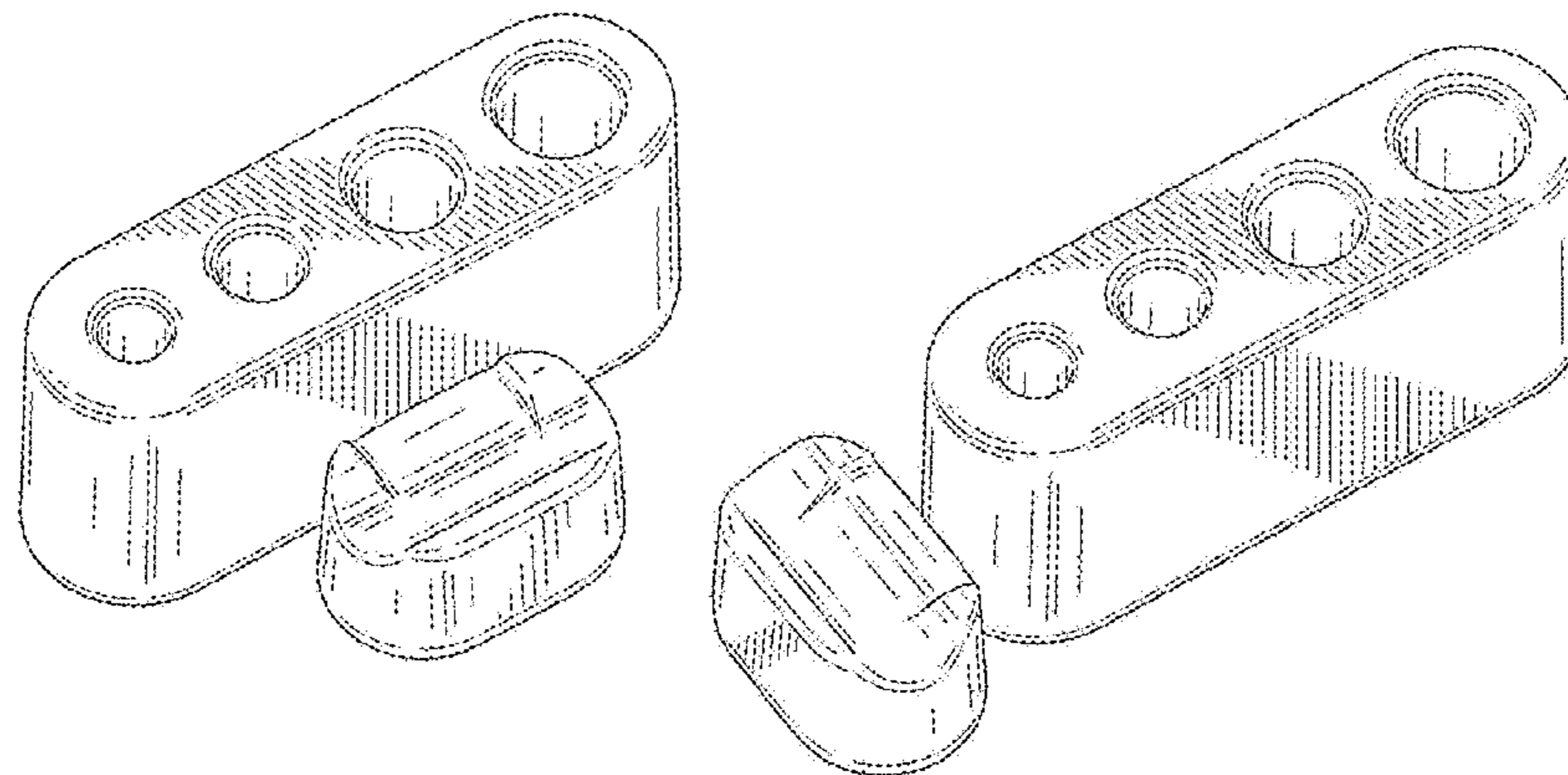
The ornamental design for a base for an interchangeable barrel hair curling iron, as shown, and described.

DESCRIPTION

FIG. 1 is a top, front, left perspective view of a base for an interchangeable barrel hair curling iron;
FIG. 2 is a front view thereof;
FIG. 3 is a rear view thereof;
FIG. 4 is a left side view thereof;
FIG. 5 is a top view thereof;
FIG. 6 is a top perspective view thereof;
FIG. 7 is a bottom view thereof;
FIG. 8 is another top, front, left perspective view thereof in a use environment;
FIG. 9 is a top, front, left perspective view of a base for an interchangeable barrel hair curling iron of FIG. 1 shown in a second position thereof;
FIG. 10 is a left side view thereof;
FIG. 11 is a right side view thereof;
FIG. 12 is a front view thereof;
FIG. 13 is a top view thereof;
FIG. 14 is a top, front perspective view thereof;
FIG. 15 is a bottom view thereof; and,
FIG. 16 is another top, front, left perspective view thereof in a use environment.

The broken lines in FIGS. 8 and 16 depict environment subject matter and in FIGS. 7 and 15 depict structure of the article that form no part of the claimed design. None of the broken lines form part of the claimed design.

1 Claim, 16 Drawing Sheets



(56)

References Cited

U.S. PATENT DOCUMENTS

2,662,534 A * 12/1953 Swartz A45D 29/22
132/73
D191,891 S * 12/1961 San Antonio D19/79
D201,485 S * 6/1965 Rulli D21/501
D208,858 S * 10/1967 Smith D8/71
D216,756 S * 3/1970 Everburg D28/61
D217,204 S * 4/1970 Pedersen D28/38
D225,478 S * 12/1972 Wyse D19/85
3,846,891 A * 11/1974 Elg B25B 27/062
29/257
3,870,300 A * 3/1975 Amendola A63B 57/50
473/391
D242,953 S * 1/1977 Bluestein D28/38
D244,722 S * 6/1977 Bluestein D28/38
D244,724 S * 6/1977 Bluestein D28/35
D288,411 S * 2/1987 Castellat D7/388
D289,090 S * 3/1987 Wistrand D28/38
D289,974 S * 5/1987 Hamilton D9/418
D290,530 S * 6/1987 Wistrand D28/38
D300,472 S * 3/1989 Keung D28/38
D302,738 S * 8/1989 Doyle D28/38
D313,284 S * 12/1990 Montagnino D28/38
D326,164 S * 5/1992 Taylor D28/38
D348,956 S * 7/1994 Presser D28/38
5,419,662 A * 5/1995 Ericksen B23B 39/162
408/112
D366,500 S * 1/1996 Goldthwaite D19/77
D371,220 S * 6/1996 Behrens D19/77

D381,515 S * 7/1997 Haynes D24/224
D393,104 S * 3/1998 Wolff D28/73
D393,105 S * 3/1998 Wolff D28/73
D405,229 S * 2/1999 Tobin D28/38
D405,474 S * 2/1999 Trondson D21/303
6,047,827 A * 4/2000 Huang B25G 1/005
206/349
D426,676 S * 6/2000 Bushman D28/73
D435,415 S * 12/2000 Johnson D8/71
D441,503 S * 5/2001 Liss D28/61
D467,390 S * 12/2002 Lewis D28/38
D663,776 S * 7/2012 Lira-Nunez D19/77
D669,937 S * 10/2012 Lira-Nunez D19/77
D727,854 S * 4/2015 Chance D13/156
D734,545 S * 7/2015 Cantu D28/57
D734,546 S * 7/2015 Baker D28/57
D747,553 S * 1/2016 Osweiler D28/38
D768,934 S * 10/2016 Osweiler D28/38
D776,872 S * 1/2017 Carlucci D28/38
9,920,877 B2 * 3/2018 Conti F16M 13/027
9,981,373 B2 * 5/2018 Chen B25G 1/085
D820,782 S * 6/2018 Wang D13/107
D830,010 S * 10/2018 Kerr D30/161
D831,479 S * 10/2018 Lylyk D9/432
2007/0278206 A1 * 12/2007 Pittman A45D 2/00
219/225
2013/0175415 A1 * 7/2013 Mathieu A45D 44/02
248/176.2
2016/0303661 A1 * 10/2016 Rooney B23B 49/02
2017/0164772 A1 * 6/2017 Laderer-Alber A47G 29/08

* cited by examiner

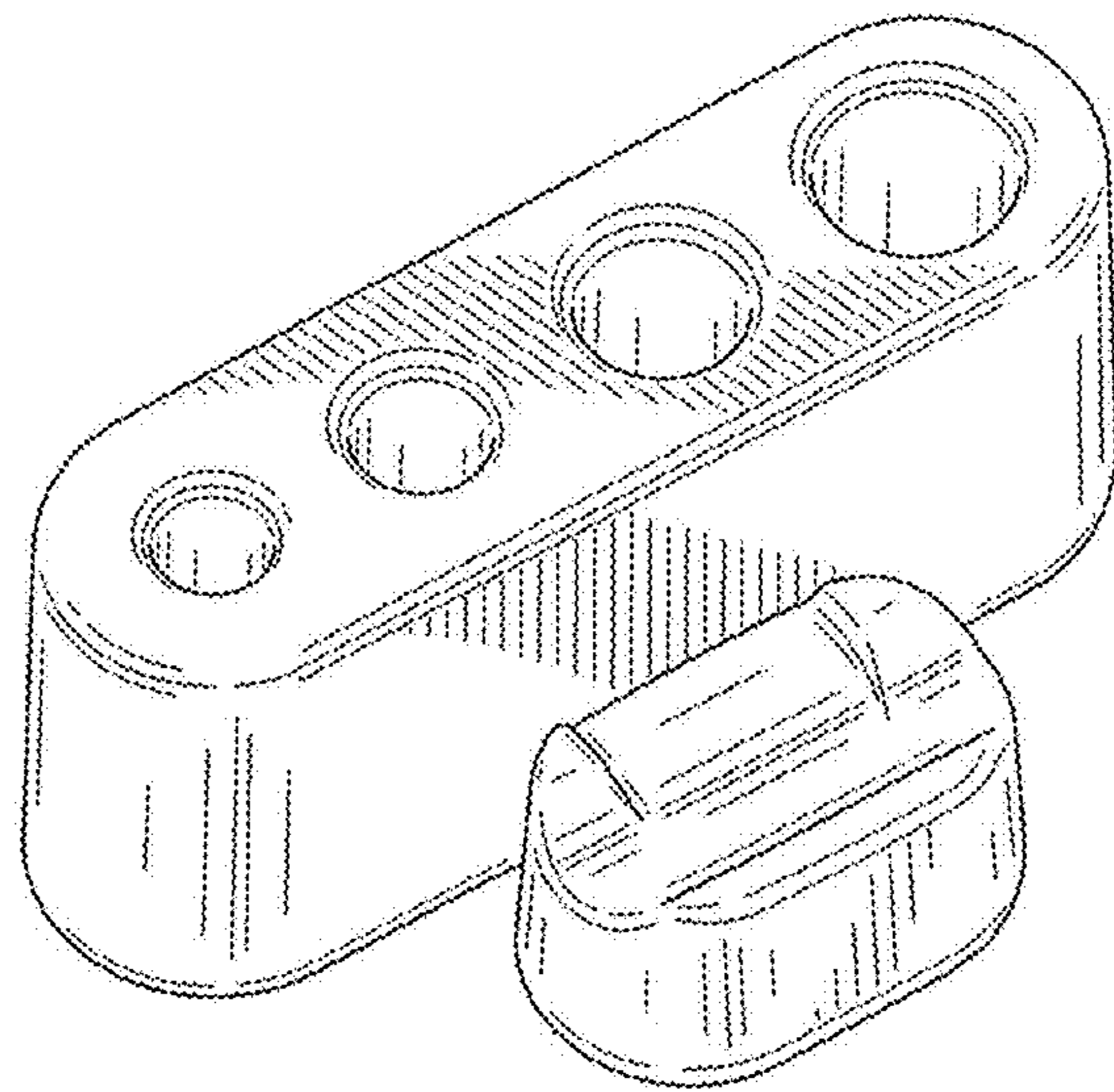


FIG. 1

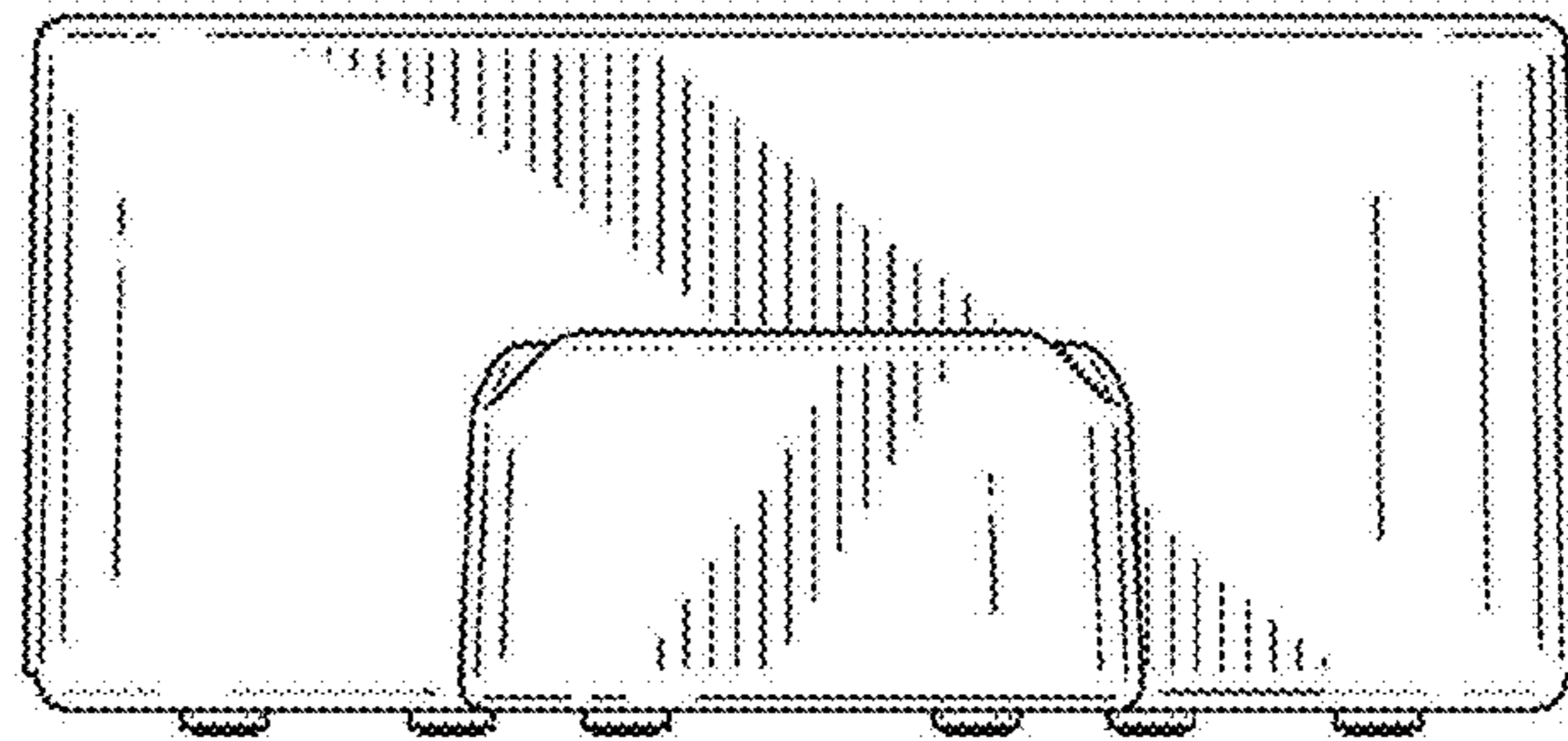


FIG. 2

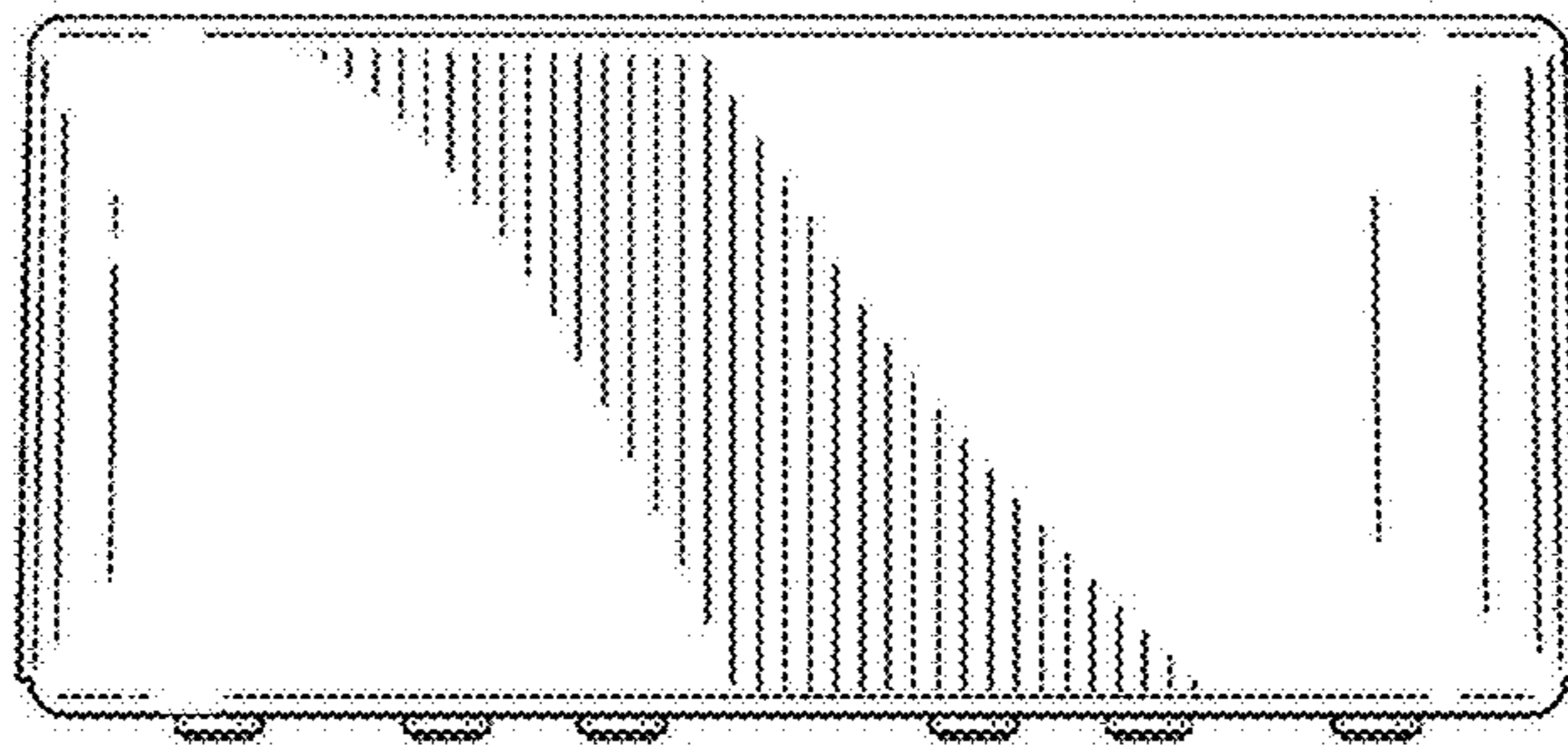


FIG. 3

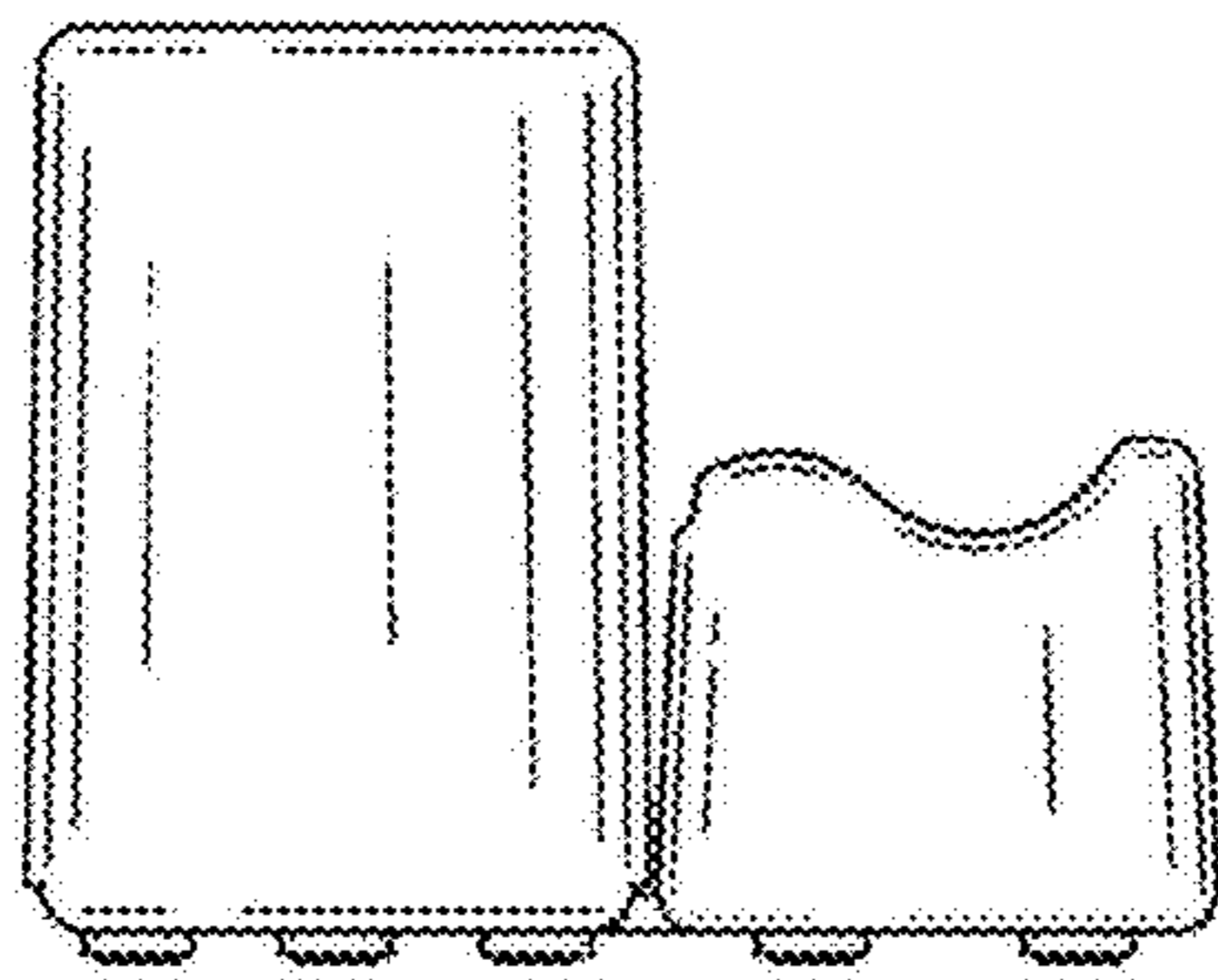


FIG. 4

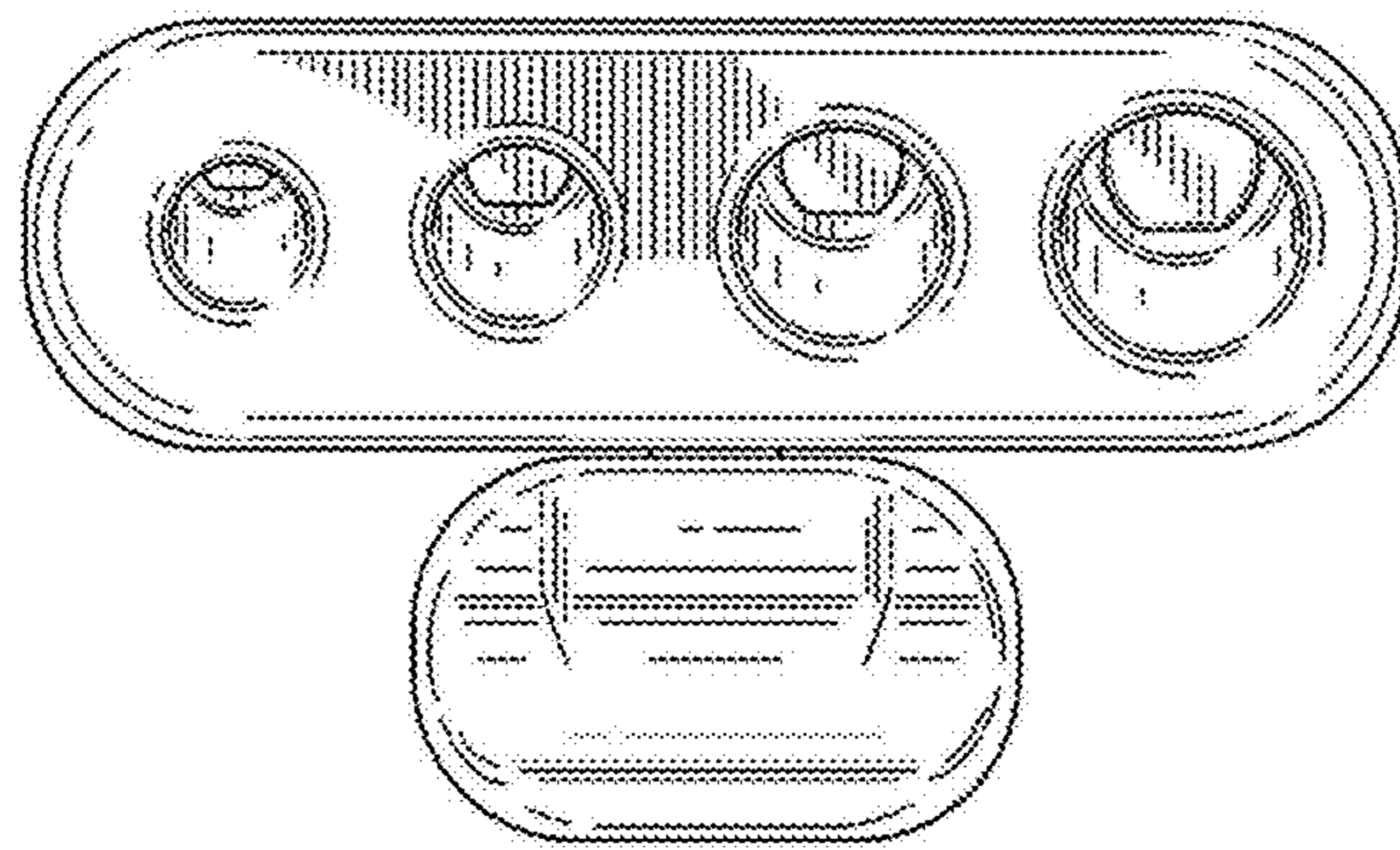


FIG. 5

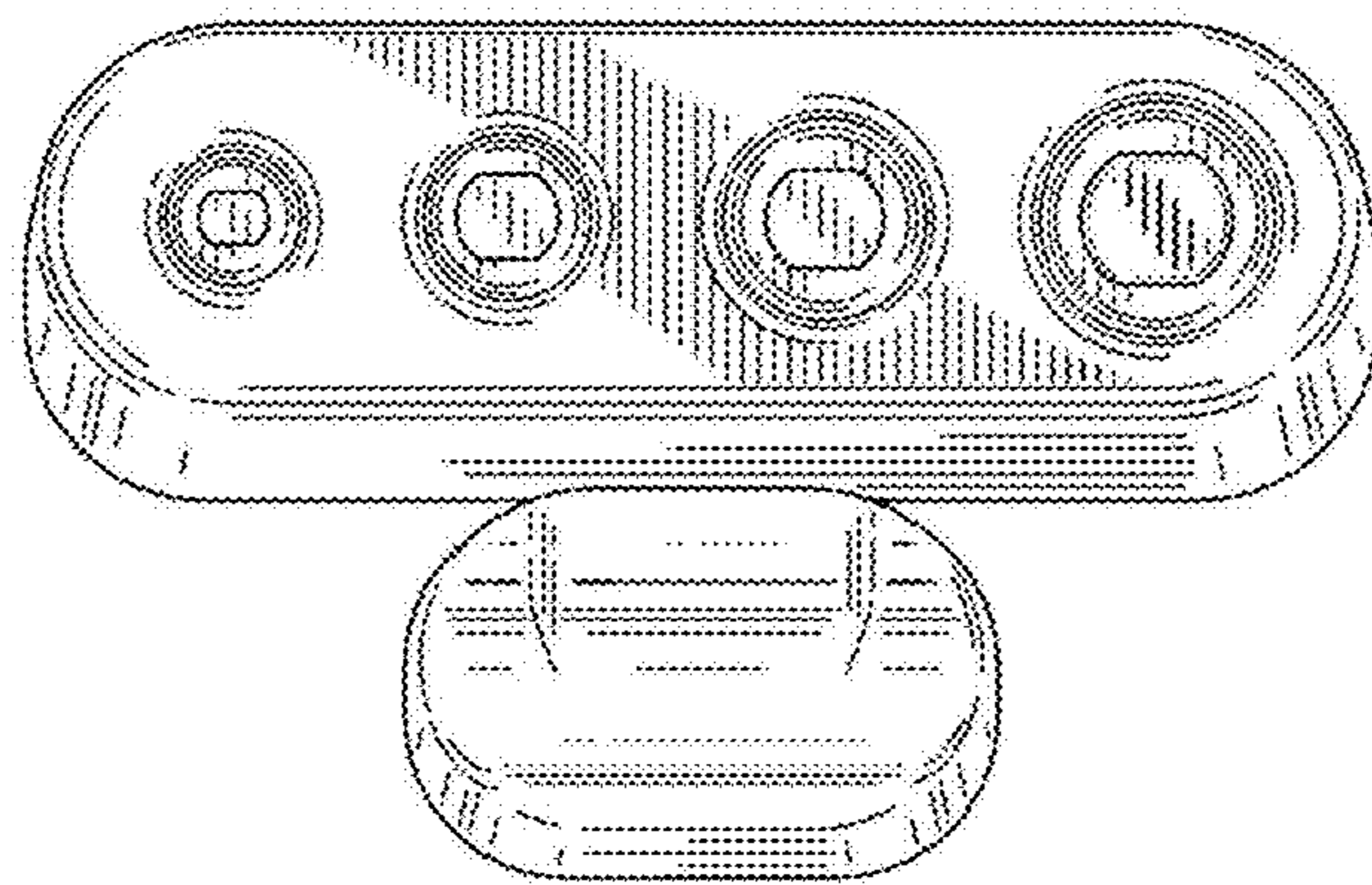


FIG. 6

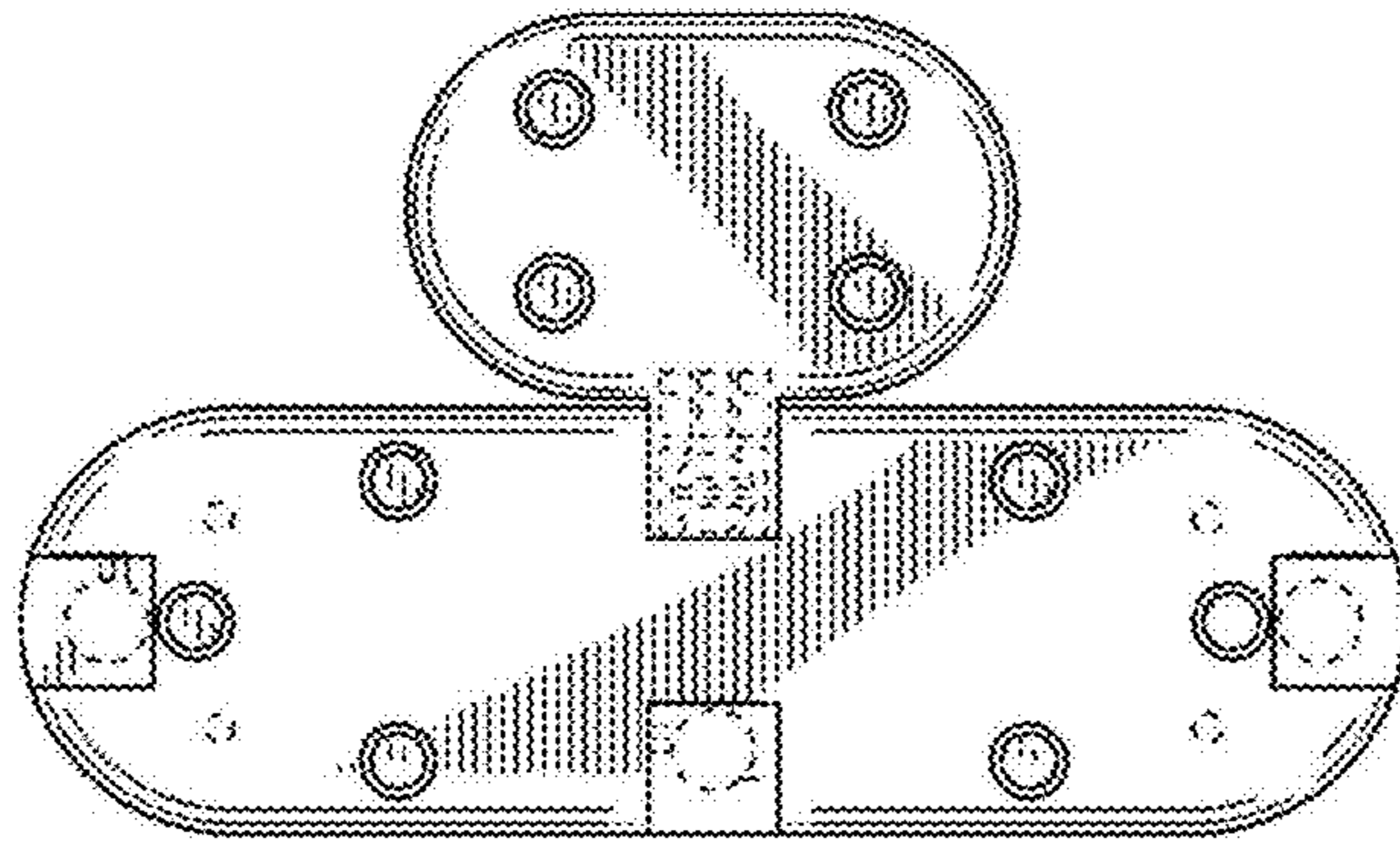


FIG. 7

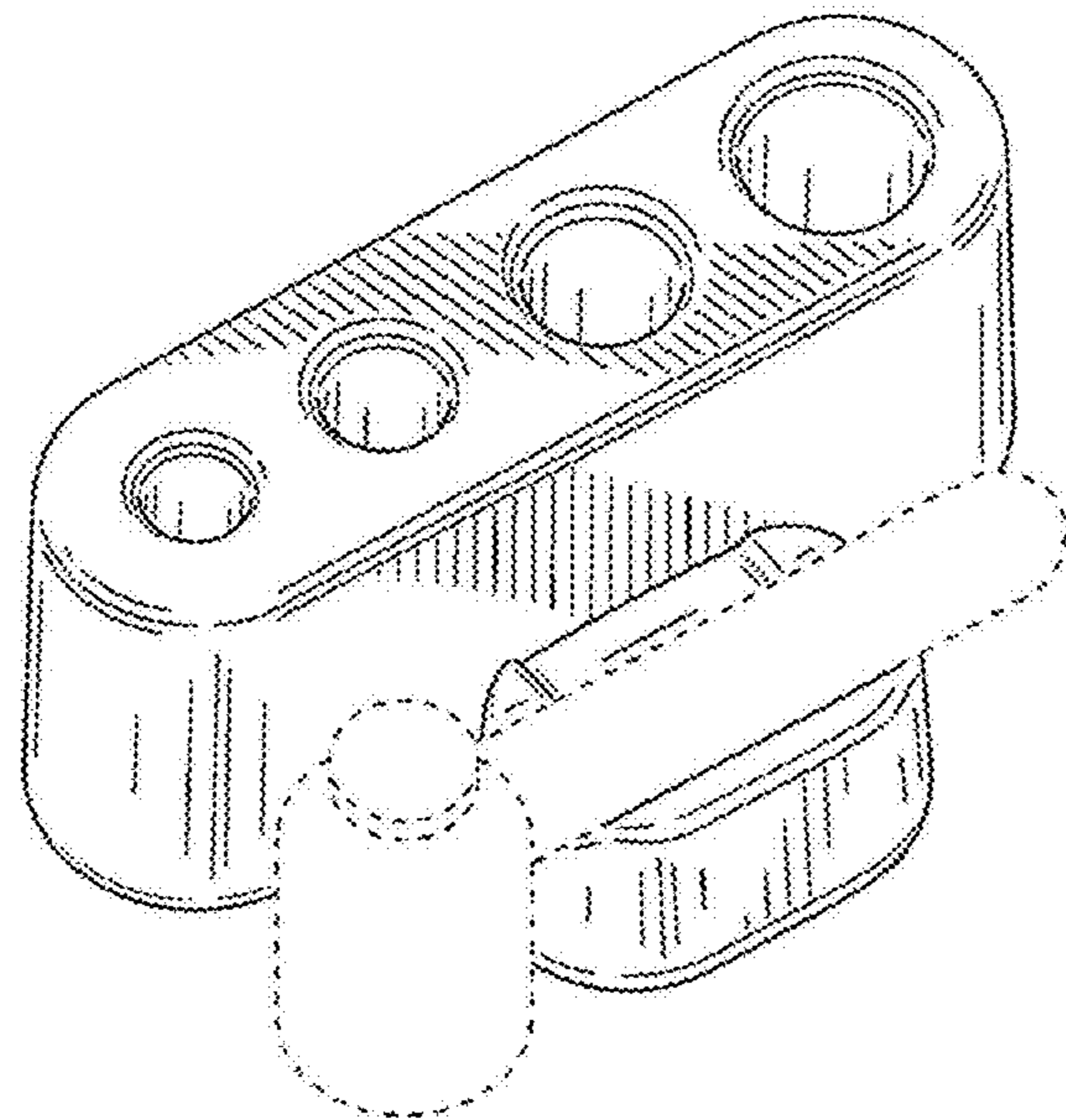


FIG. 8

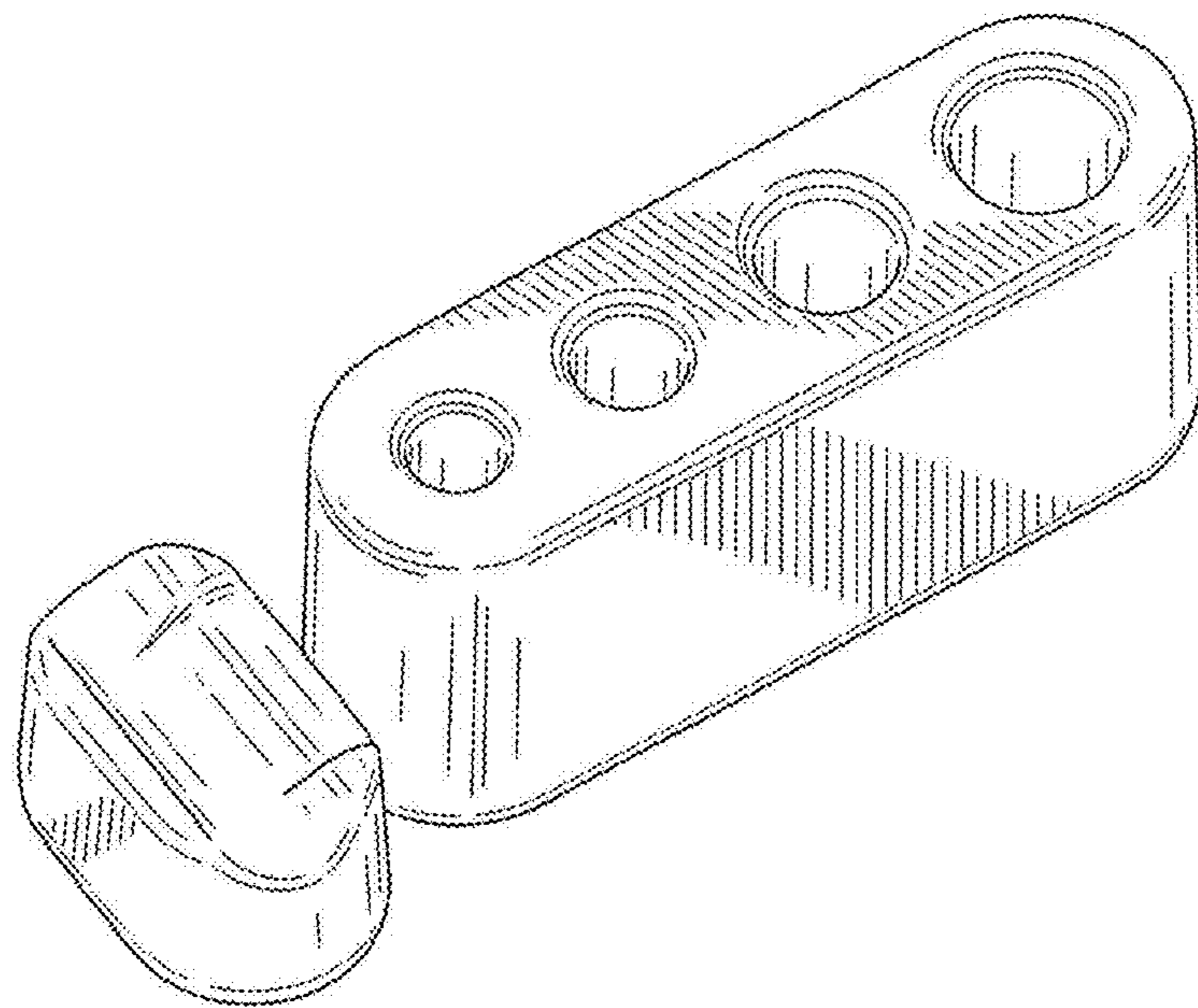


FIG. 9

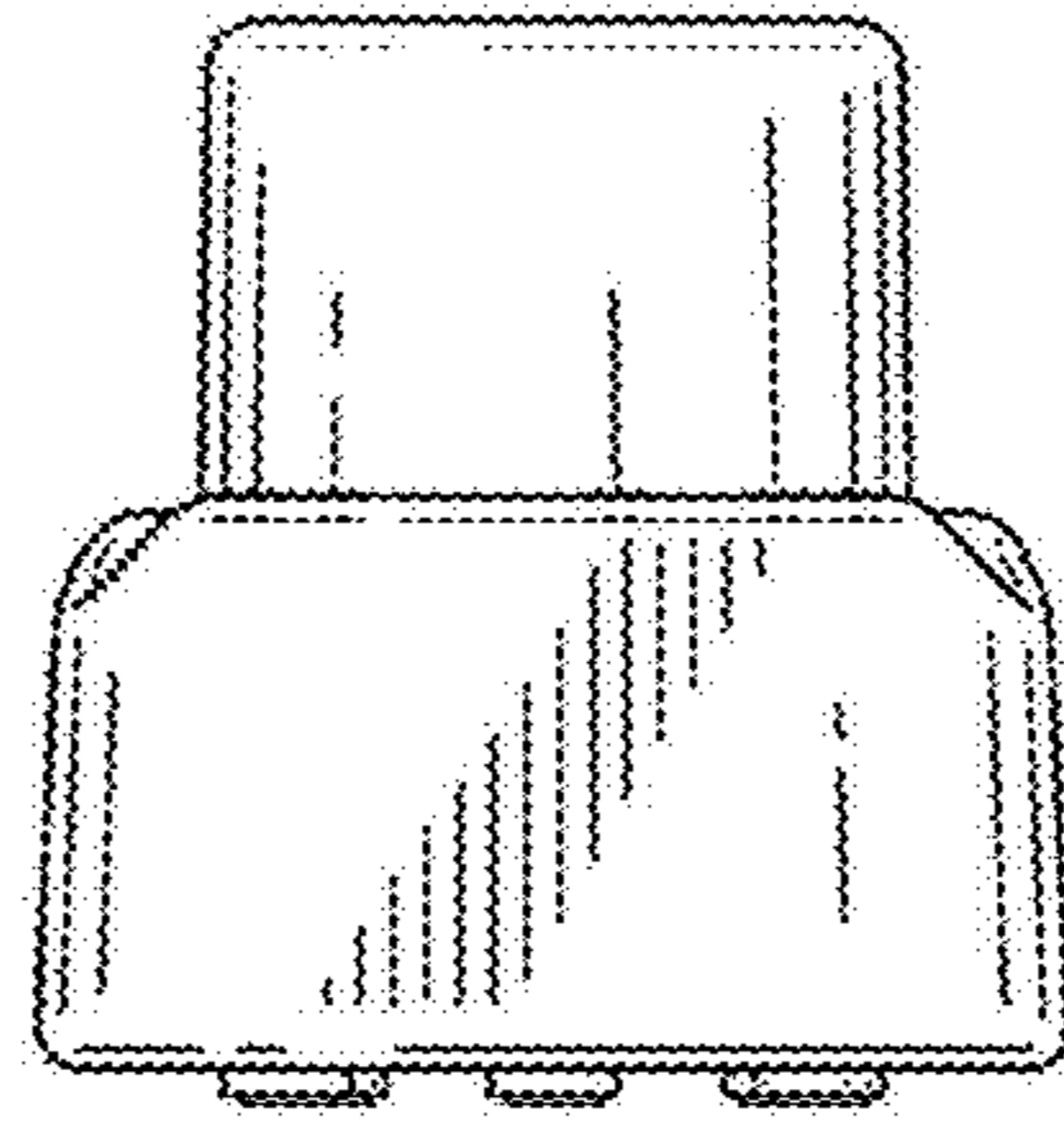


FIG. 10

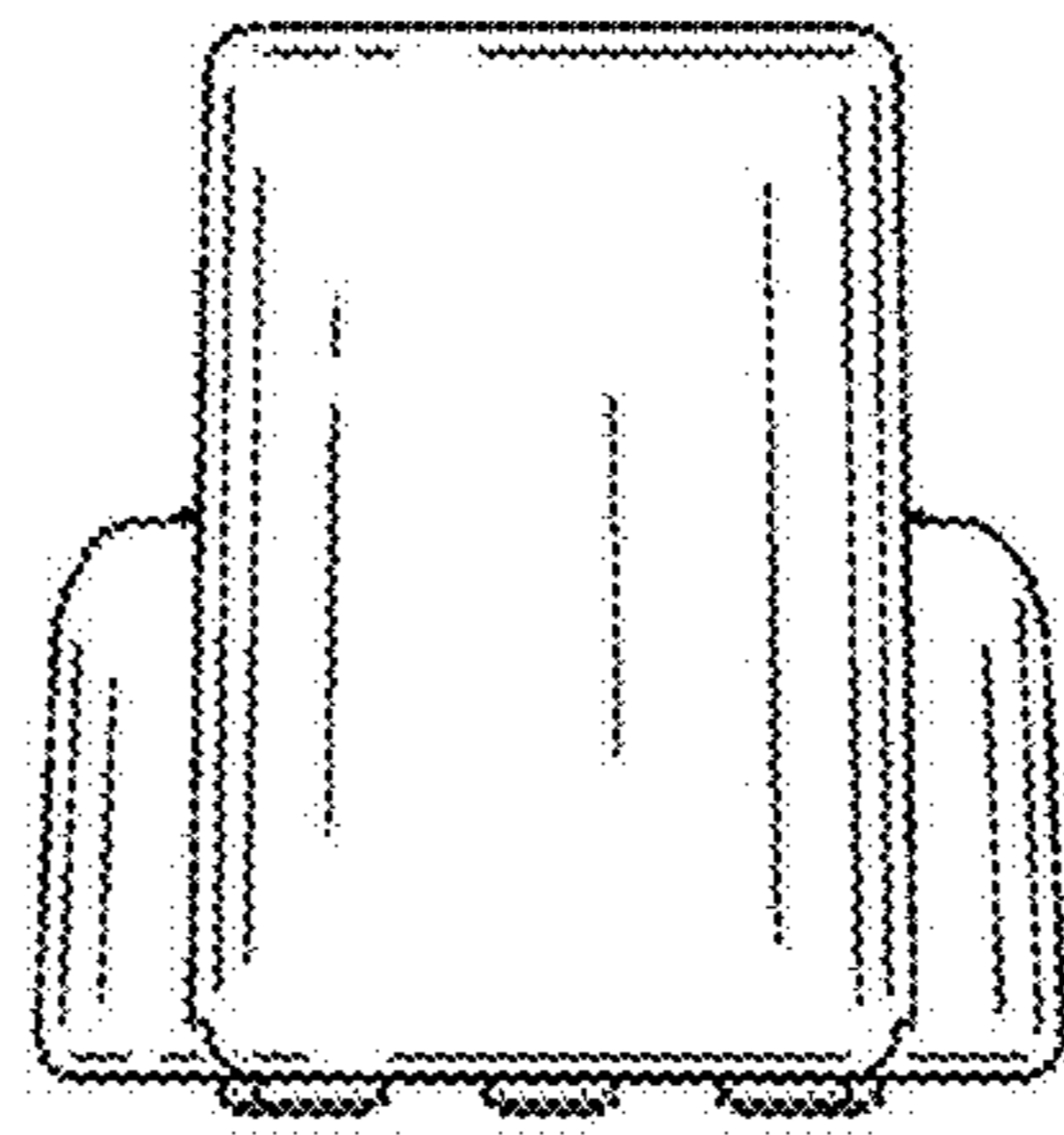


FIG. 11

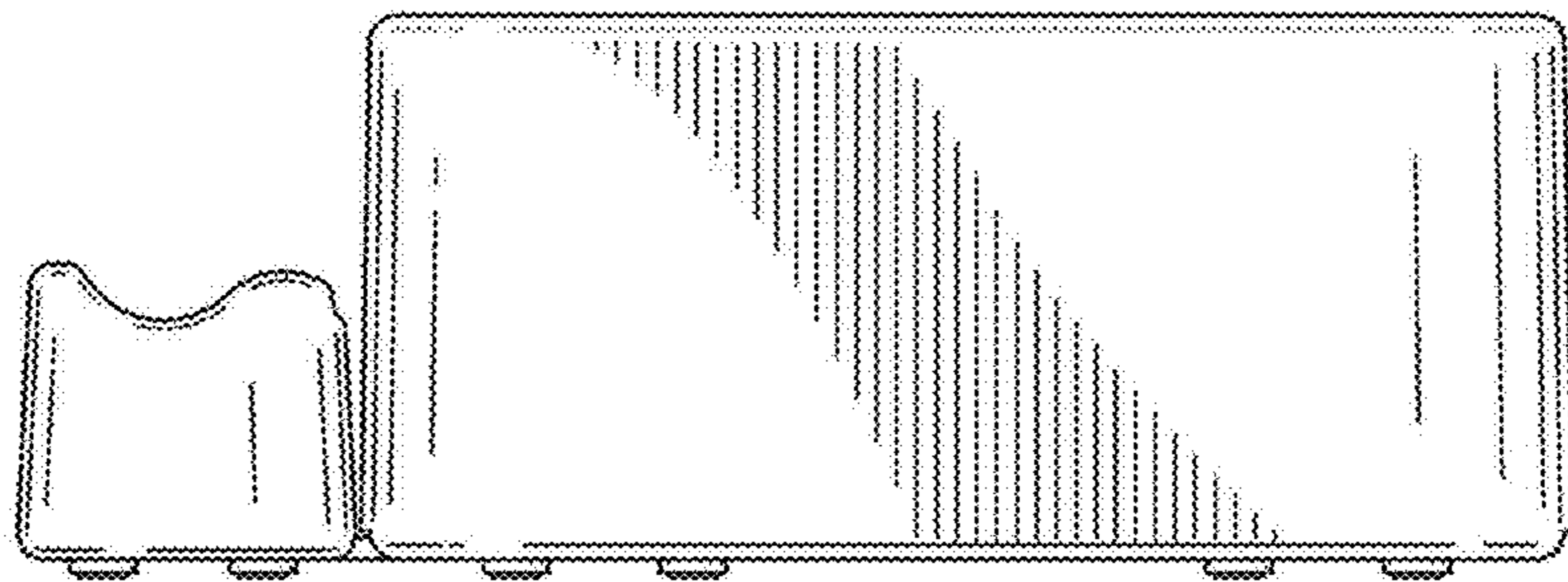


FIG. 12

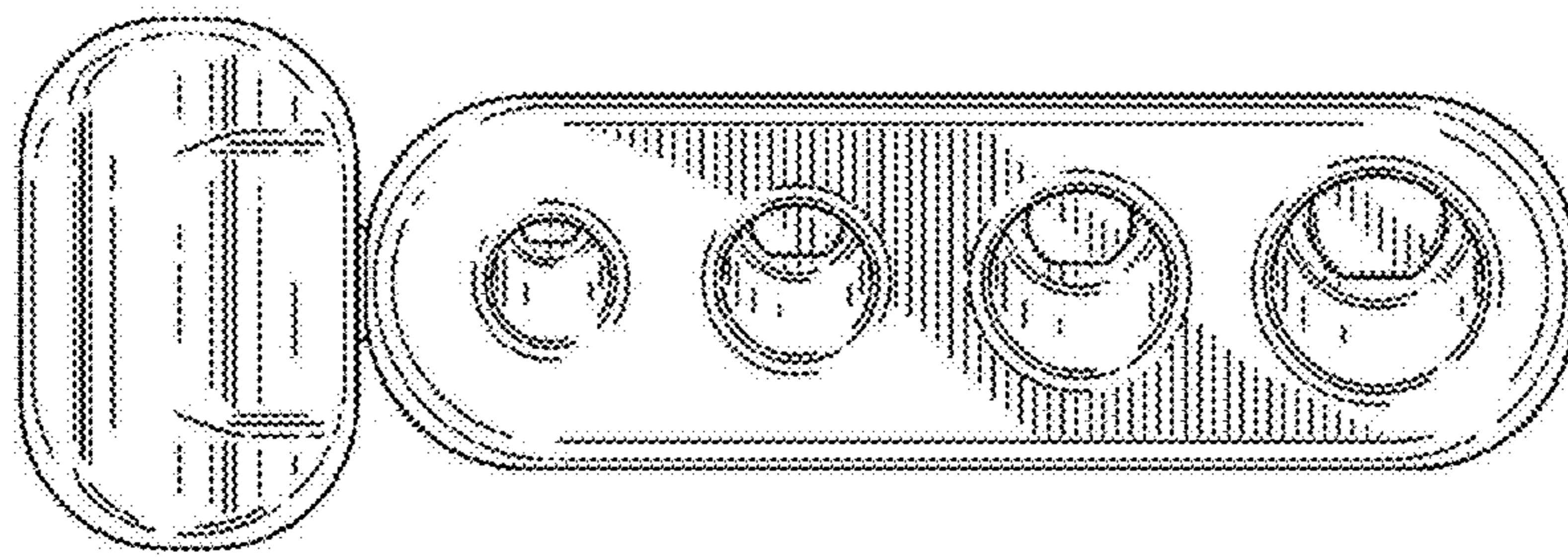


FIG. 13

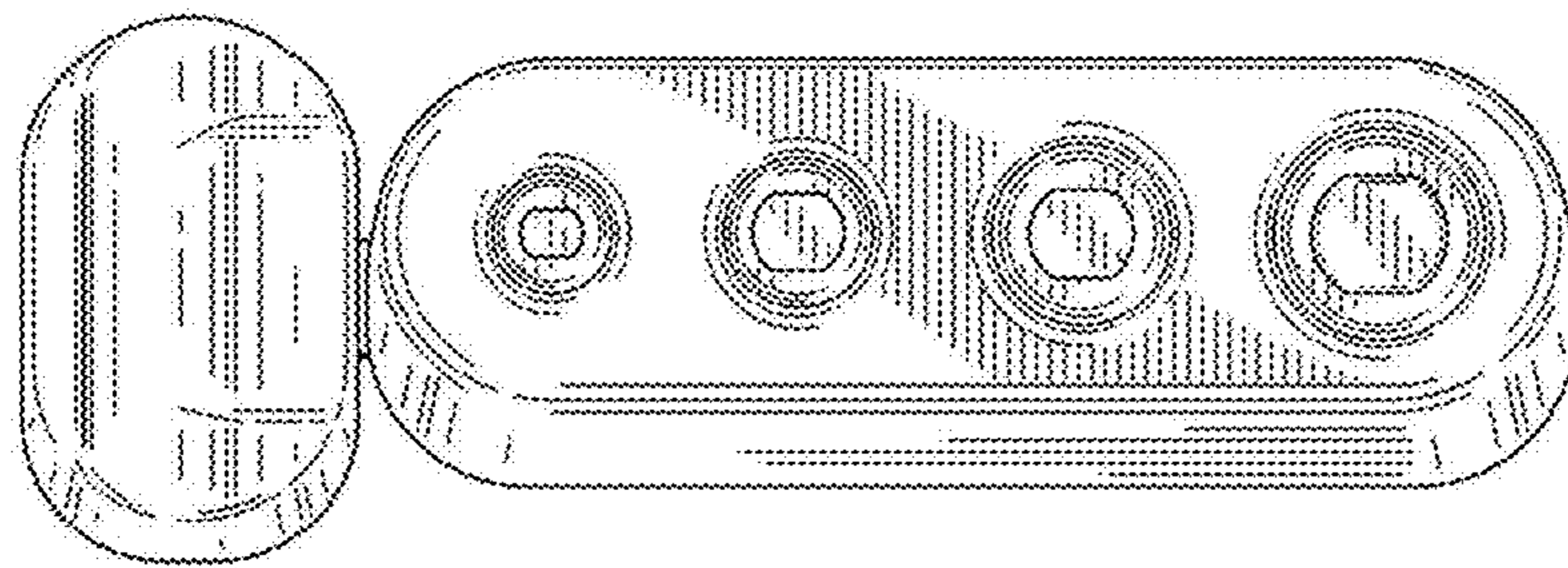


FIG. 14

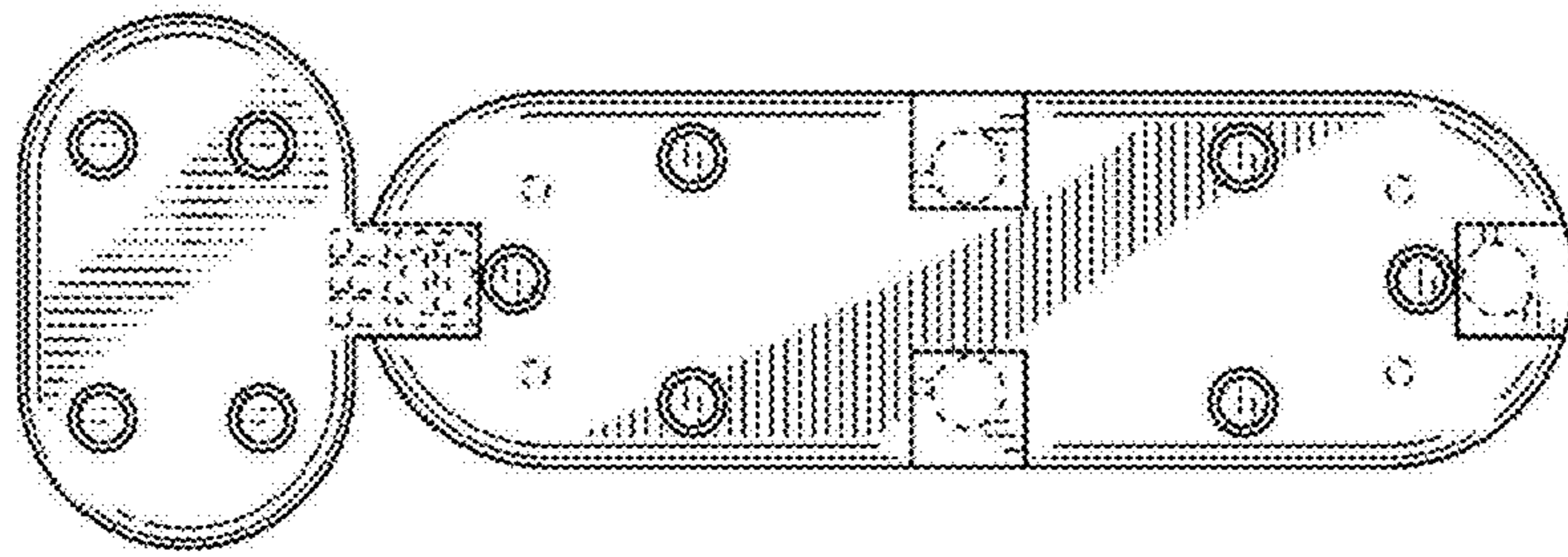


FIG. 15

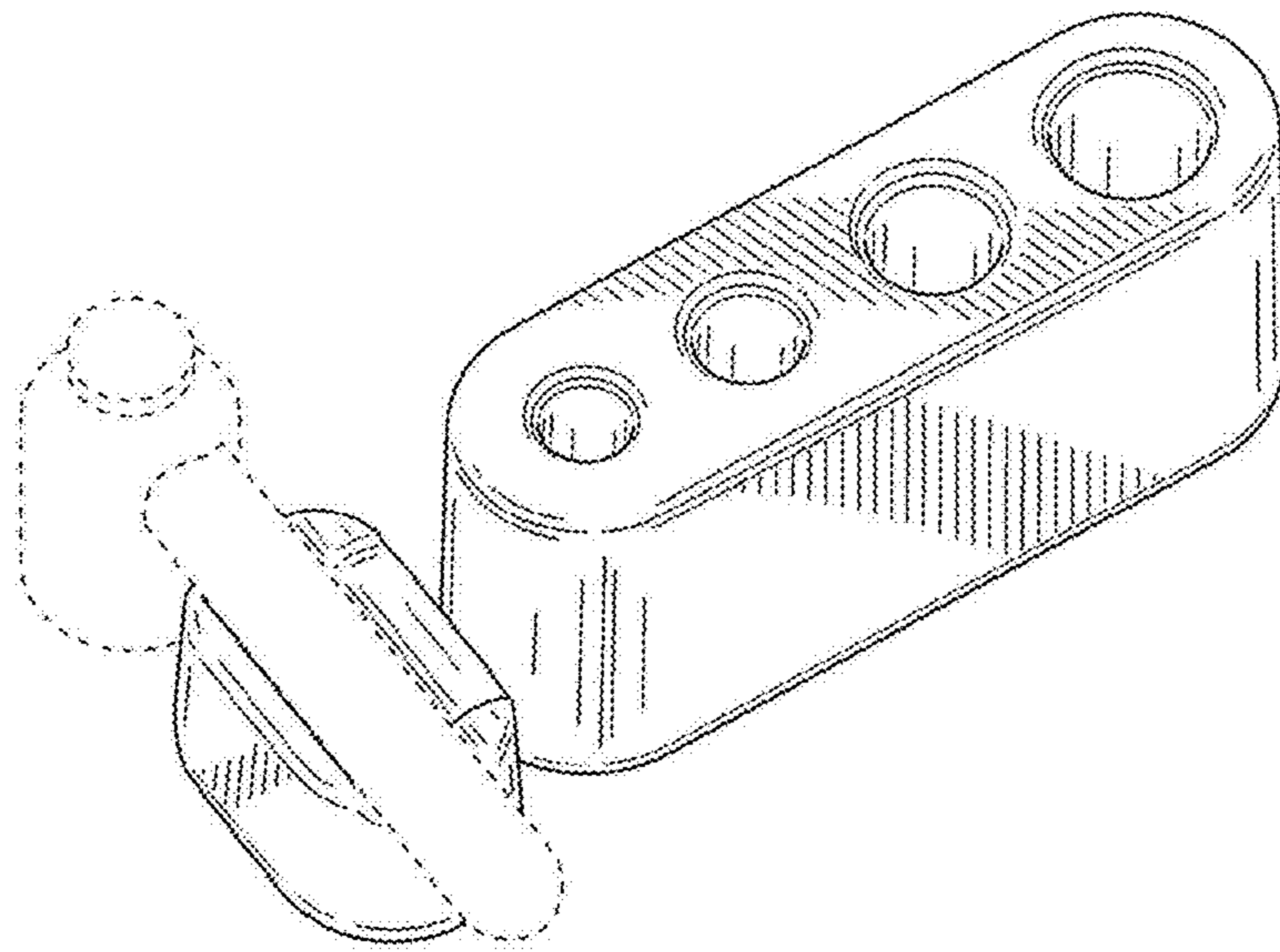


FIG. 16