



(12) **United States Design Patent**
Laaly

(10) **Patent No.:** **US D840,097 S**
(45) **Date of Patent:** **** Feb. 5, 2019**

(54) **FRENCH MANICURE APPLICATOR**

(71) Applicant: **Noushin Laaly**, Los Angeles, CA (US)

(72) Inventor: **Noushin Laaly**, Los Angeles, CA (US)

(**) Term: **15 Years**

(21) Appl. No.: **29/563,440**

(22) Filed: **May 4, 2016**

(51) **LOC (11) Cl.** **28-02**

(52) **U.S. Cl.**
USPC **D28/7**

(58) **Field of Classification Search**
USPC D28/7, 8.2, 13, 20, 21, 28, 30, 31, 33,
D28/44.2, 56-59, 73-74, 54.1; D4/104,
D4/109, 111, 128; D24/152, 176,
D24/209-210; D19/108-111, 37, 158,
D19/161

CPC .. A61K 8/02; A61K 9/00; A46B 9/021; A46B
1/00; A46B 3/00; A46B 5/00; A46B
9/023; A46B 9/025; A46B 9/026; A46B
9/028; A46B 2200/1046; A61B 17/24;
A61C 15/00; A61C 15/04; A61C 15/043;
A61C 15/046; A61C 15/048; A45D
19/00; A45D 19/0008; A45D 2019/0041;
A45D 2019/0066; A45D 44/00; A45D
29/00; A45D 29/20; A45D 29/22; A45D
29/14; A45D 29/06; A45D 29/11; A45D
29/12; A45D 2029/002; A45D 34/04;
A45D 34/041; A45D 26/00; A45D 40/26;
A45D 40/20; B65D 47/42; B43K 5/1845;
B43K 5/06; B43M 11/06

See application file for complete search history.

(56) **References Cited**

U.S. PATENT DOCUMENTS

1,302,417 A * 4/1919 North B43K 5/1845
401/160
D306,354 S * 2/1990 Konose D28/7

D306,355 S * 2/1990 Shinohara D28/7
D742,588 S * 11/2015 Cutler D28/7
2003/0165350 A1 * 9/2003 Nicoll B43K 5/1845
401/235
2004/0005185 A1 * 1/2004 Endo B43K 5/06
401/179
2014/0050515 A1 * 2/2014 Bruder A45D 34/04
401/186
2014/0345637 A1 * 11/2014 Laaly A45D 34/04
132/73
2016/0143415 A1 * 5/2016 Laaly A45D 34/04
401/193
2017/0112260 A1 * 4/2017 Stanton A45D 34/042

FOREIGN PATENT DOCUMENTS

WO WO2012050632 4/2012

* cited by examiner

Primary Examiner — Shannon W Morgan

(74) *Attorney, Agent, or Firm* — Payam Moradian

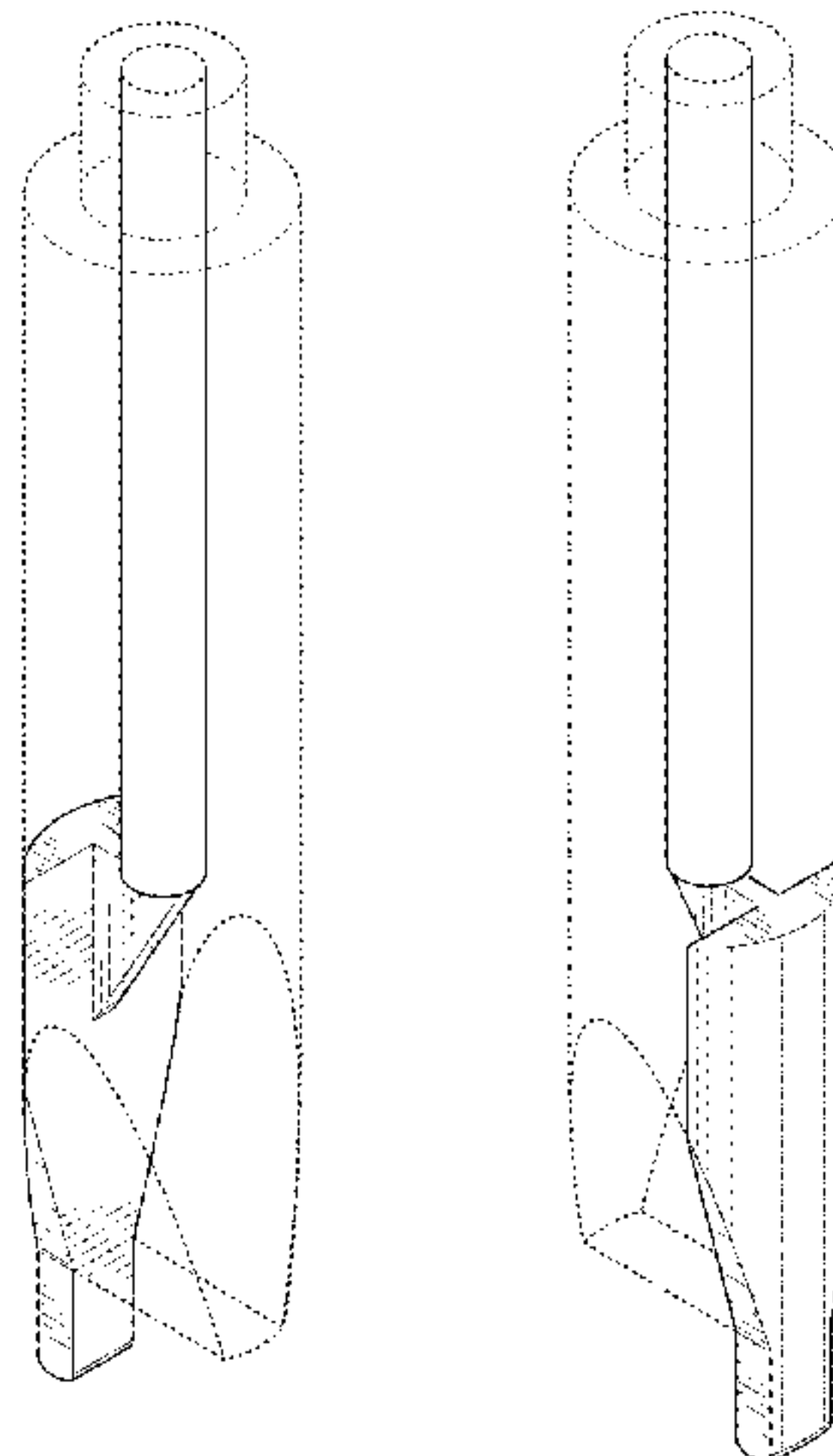
(57) **CLAIM**

I claim the ornamental design for a French manicure applicator, as shown and described.

DESCRIPTION

FIG. 1 is a front, side perspective view of a French manicure applicator;
FIG. 2 is a rear, side perspective view thereof;
FIG. 3 is a left side elevational view thereof;
FIG. 4 is a front view thereof;
FIG. 5 is a rear view thereof;
FIG. 6 is a right side elevational view thereof;
FIG. 7 is a top view thereof; and,
FIG. 8 is a bottom view thereof.
The broken lines illustrate portions of the French manicure applicator and form no part of the claimed design.

1 Claim, 5 Drawing Sheets



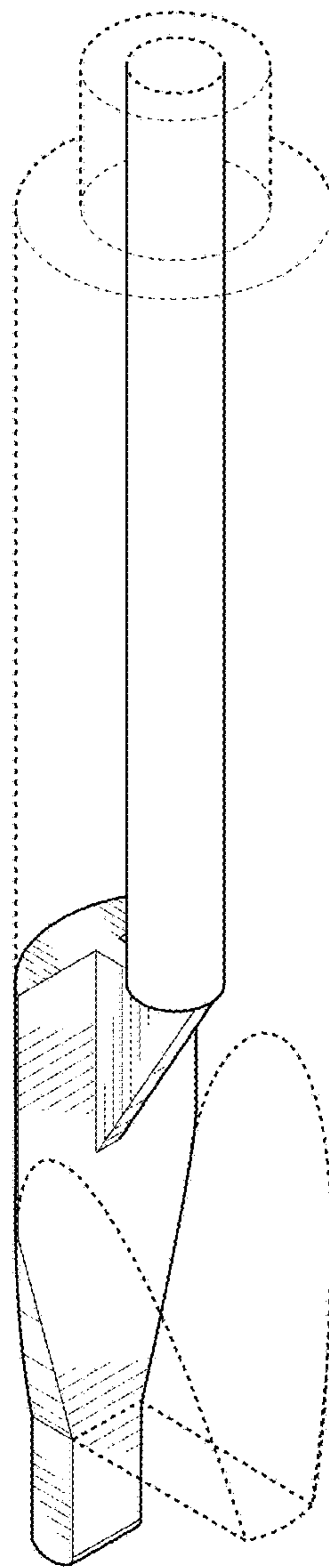


FIG. 1

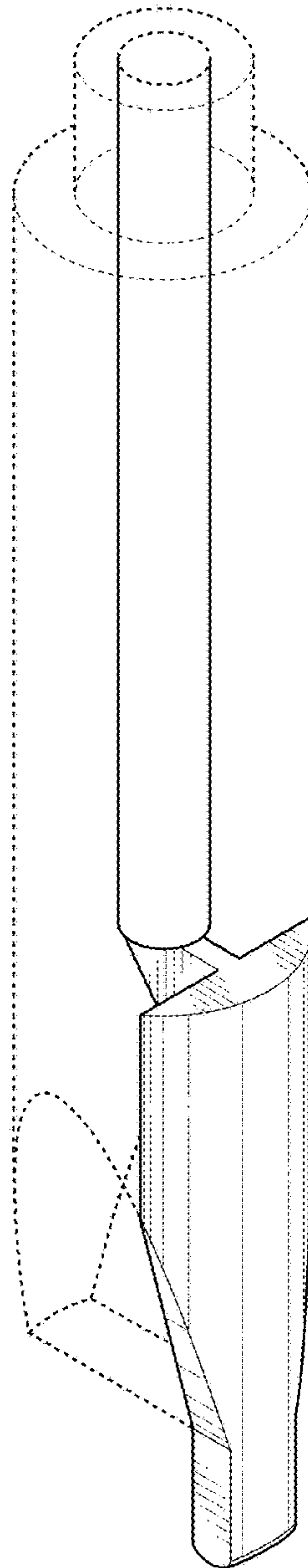


FIG. 2

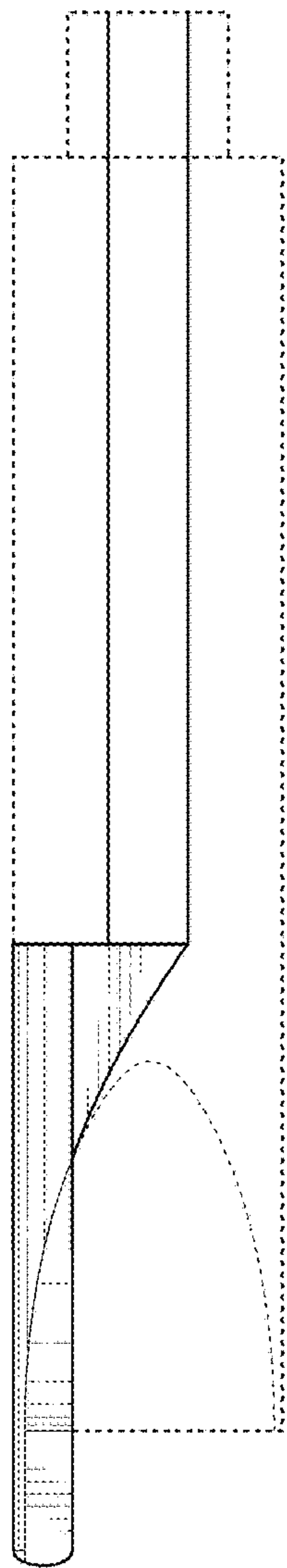


FIG. 3

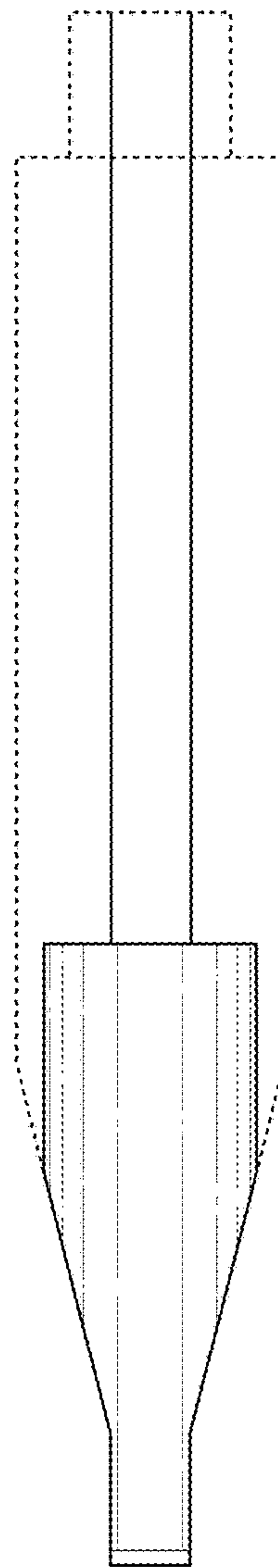


FIG. 4

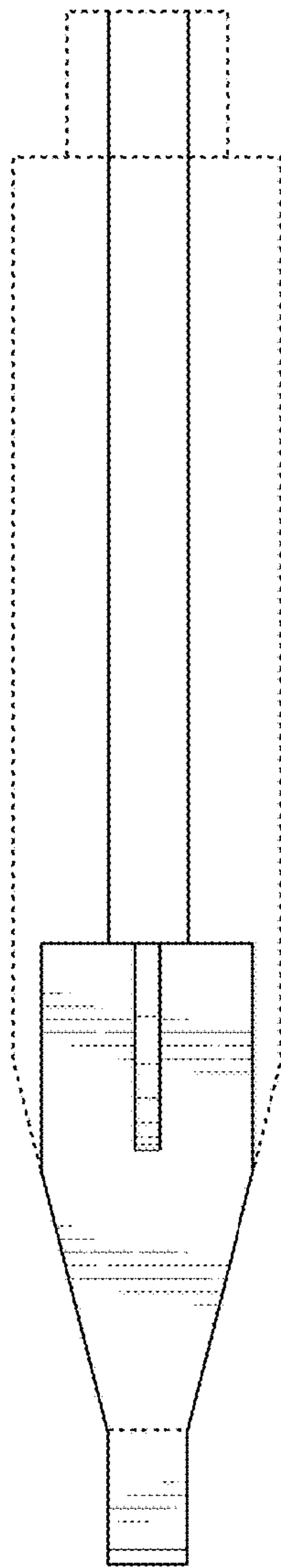


FIG. 5

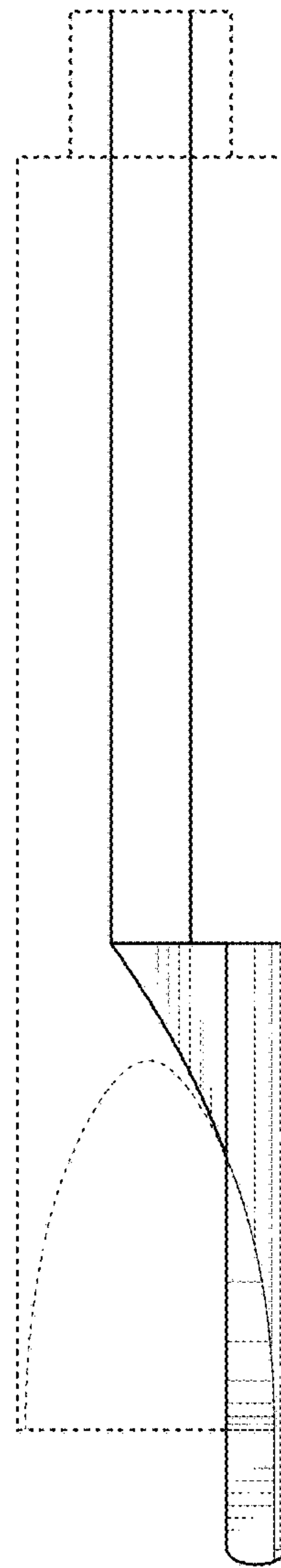


FIG. 6

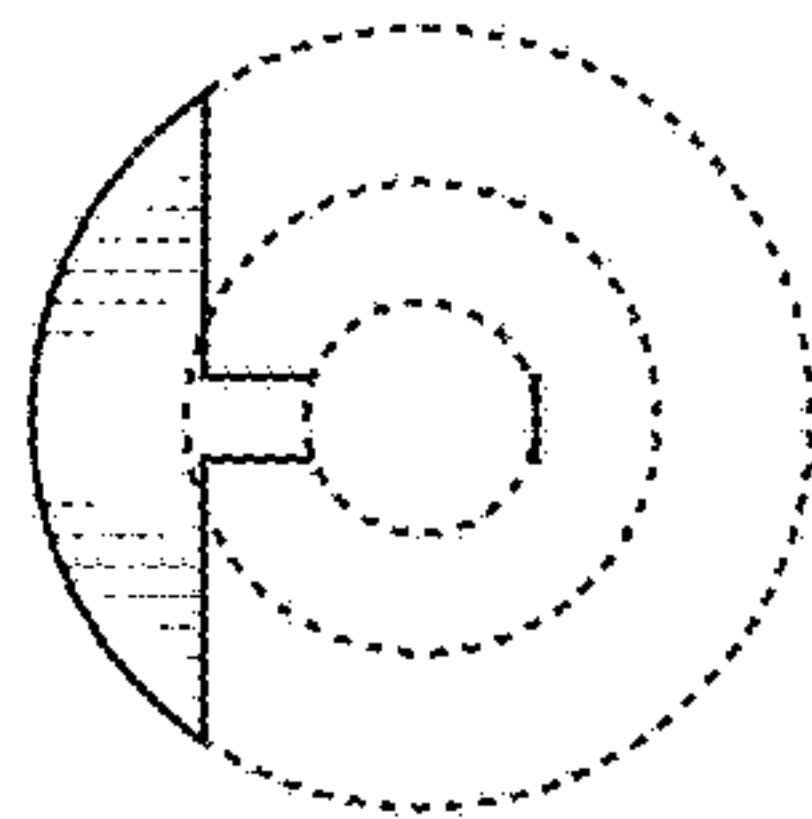


FIG. 7

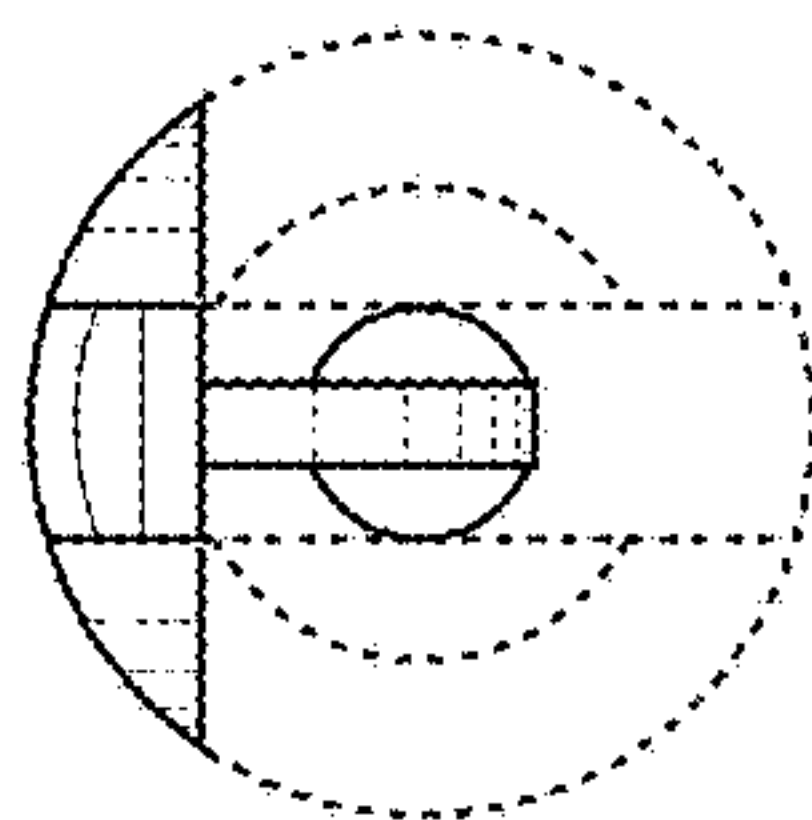


FIG. 8