



US00D840095S

(12) **United States Design Patent** (10) **Patent No.:** **US D840,095 S**  
**Miro et al.** (45) **Date of Patent:** **\*\* Feb. 5, 2019**

(54) **RECESSED LAMP COMPONENT**  
 (71) Applicant: **SIMON S.A.**, Barcelona (ES)  
 (72) Inventors: **Salvi Plaja Miro**, Barcelona (ES);  
**Adrià Riqué Rebull**, Barcelona (ES);  
**Clara Batiste Mayas**, Barcelona (ES);  
**Marta Portillo Lainez**, Barcelona (ES);  
**Francesc Jordana Casamitjana**,  
 Barcelona (ES); **Ricard Llimós Sala**,  
 Barcelona (ES)

(73) Assignee: **Simon S.A.**, Barcelona (ES)

(\*\*) Term: **15 Years**

(21) Appl. No.: **35/503,082**

(22) Filed: **Mar. 2, 2017**

(80) **Hague Agreement Data**

Int. Filing Date: **Mar. 2, 2017**  
 Int. Reg. No.: **DM/096080**  
 Int. Reg. Date: **Mar. 2, 2017**  
 Int. Reg. Pub. Date: **Jun. 2, 2017**

(51) **LOC (11) Cl.** ..... **26-99**

(52) **U.S. Cl.**  
 USPC ..... **D26/152**

(58) **Field of Classification Search**  
 USPC ..... D26/72, 80, 81, 86, 138, 141, 149, 152,  
 D26/74, 88  
 CPC ..... F21S 8/03; F21S 8/02  
 See application file for complete search history.

(56) **References Cited**

U.S. PATENT DOCUMENTS

D41,822 S \* 10/1911 Gothberg, Jr. .... D26/149  
 D47,903 S \* 9/1915 Strong ..... D23/411  
 D56,756 S \* 12/1920 Lipsky ..... D26/149

D57,256 S \* 3/1921 Ohm ..... D26/152  
 D60,003 S \* 12/1921 Adam ..... D26/149  
 D68,156 S \* 9/1925 Poritz ..... D26/150  
 D74,220 S \* 1/1928 Holderman ..... D26/152  
 D74,225 S \* 1/1928 Holderman ..... D26/152  
 D74,541 S \* 2/1928 Buccini ..... D26/152  
 D74,975 S \* 4/1928 Holderman ..... D26/152  
 D87,355 S \* 7/1932 Pospisil ..... D26/72  
 D232,321 S \* 8/1974 Boissevain ..... D26/141  
 D250,968 S \* 1/1979 Combest ..... D26/152  
 D469,916 S \* 2/2003 Caferro ..... D26/123  
 D471,314 S \* 3/2003 Guthrie ..... D26/152  
 D497,447 S \* 10/2004 Yoneda ..... D26/24  
 8,876,351 B2 \* 11/2014 Wei ..... F21S 8/03  
 362/235  
 8,920,005 B2 \* 12/2014 Ahn ..... F21V 29/2293  
 362/373  
 D764,094 S \* 8/2016 Zhai ..... D26/72  
 D796,722 S \* 9/2017 Zhu ..... D26/72  
 D802,197 S \* 11/2017 Ding ..... D26/72  
 D803,453 S \* 11/2017 Engle ..... D26/72  
 2018/0044861 A1 \* 2/2018 Stiles ..... E01C 17/00  
 2018/0091222 A1 \* 3/2018 Arai ..... H04B 10/116

\* cited by examiner

*Primary Examiner* — Robert M. Spear  
 (74) *Attorney, Agent, or Firm* — Thedford I. Hitaffer;  
 Hitaffer & Hitaffer, PLLC

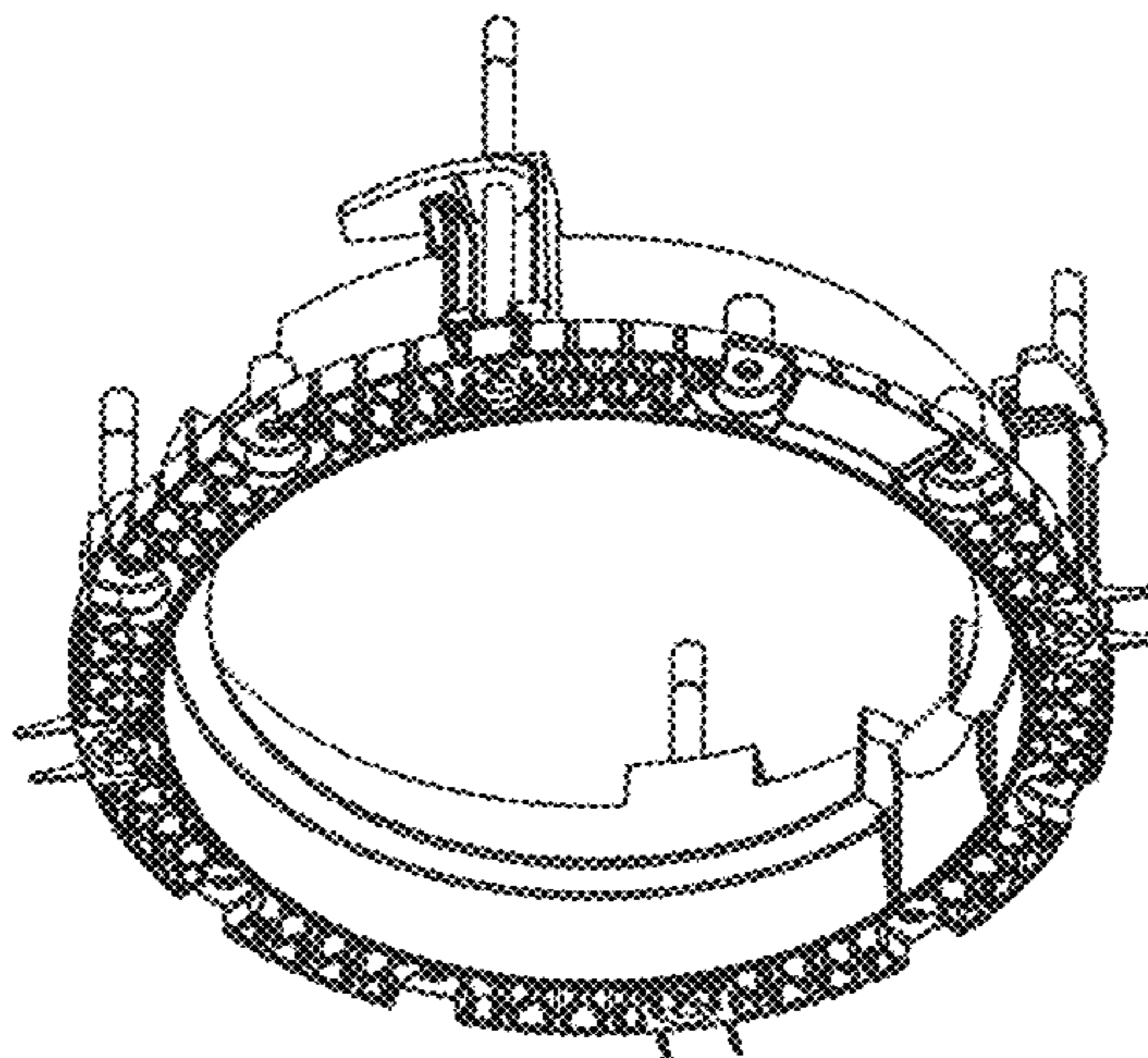
(57) **CLAIM**

The ornamental design for a recessed lamp component, as shown and described.

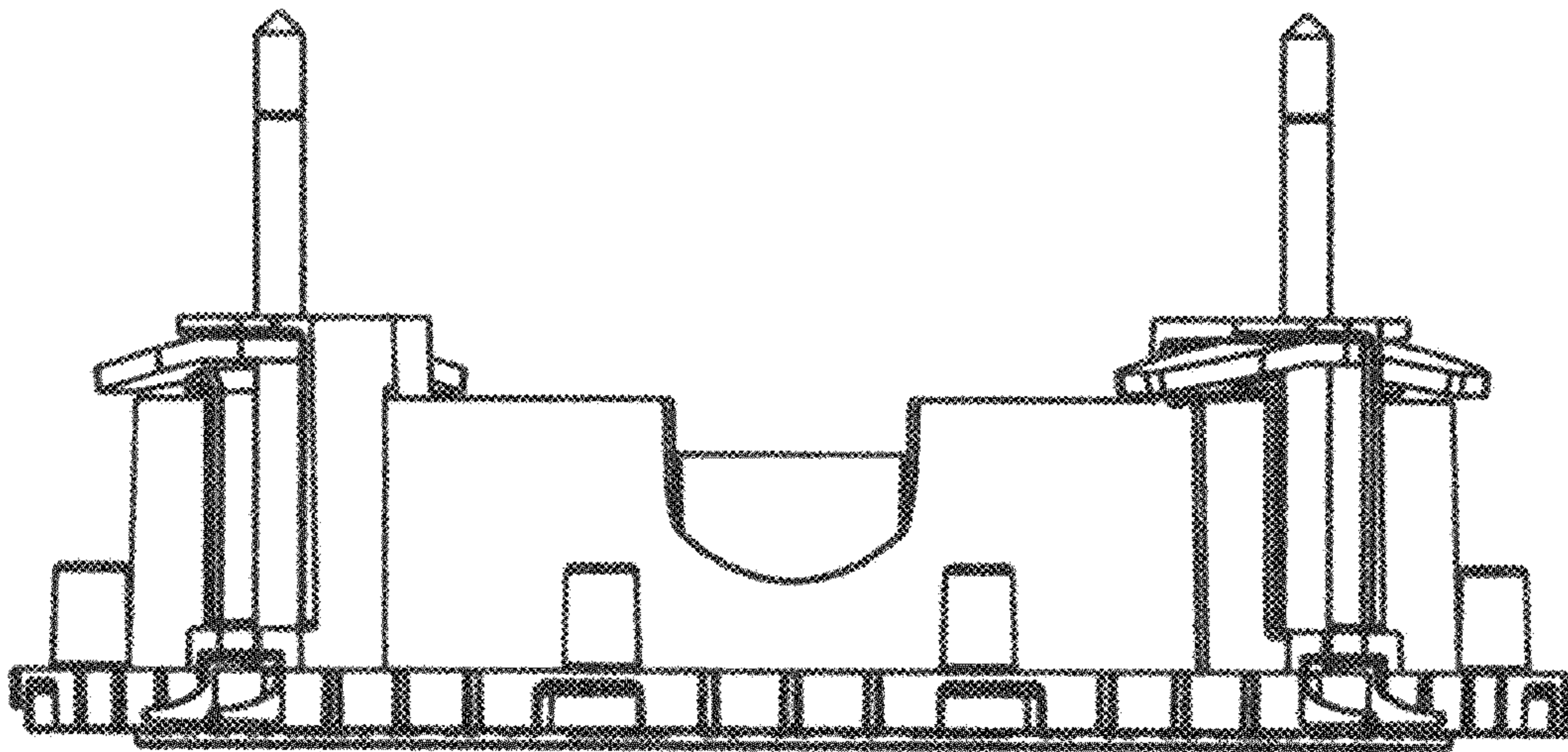
**DESCRIPTION**

- 1.1 —Side view of a recessed lamp component
- 1.2 —Side view of the recessed lamp component
- 1.3 —Rear perspective view of the recessed lamp component
- 1.4 —Front perspective view of the recessed lamp component
- 1.5 —Front view of the recessed lamp component
- 1.6 —Rear view of the recessed lamp component

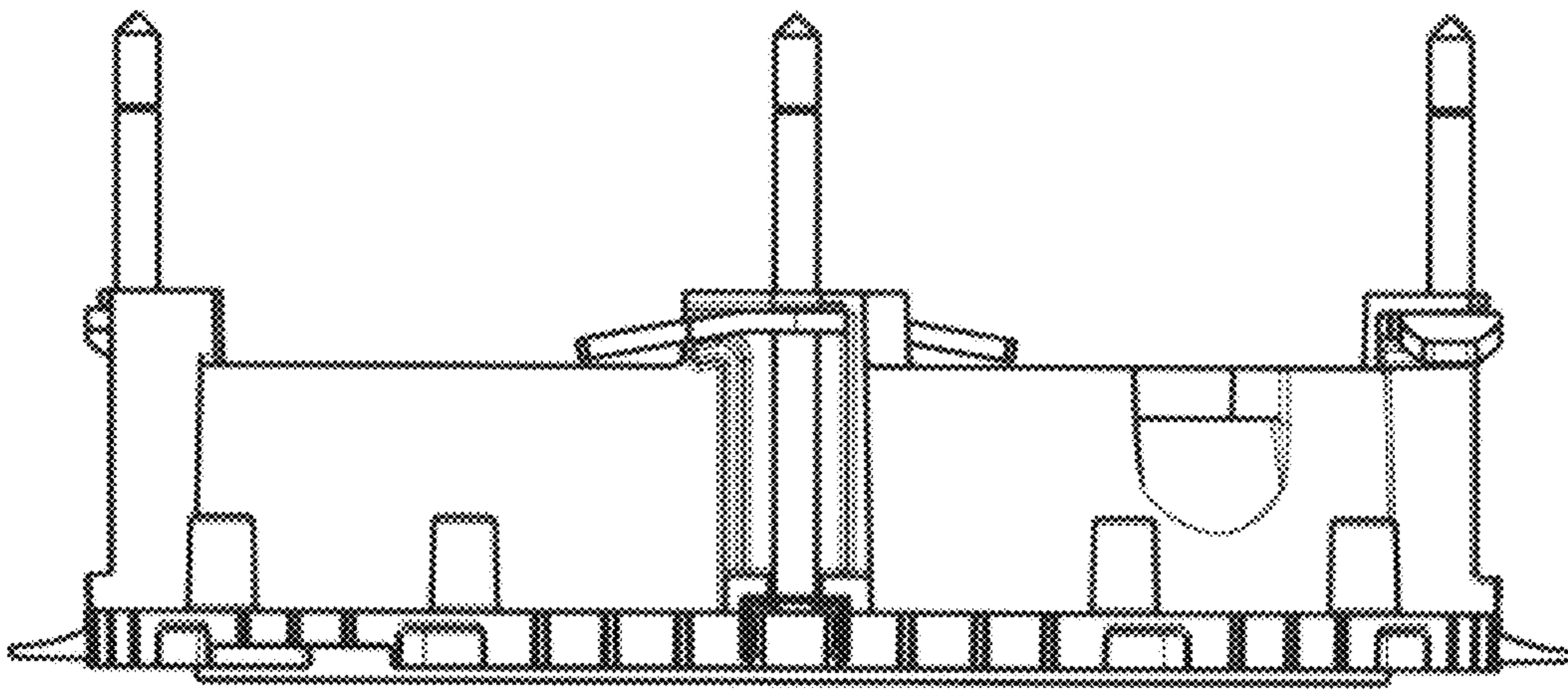
**1 Claim, 6 Drawing Sheets**



1.1

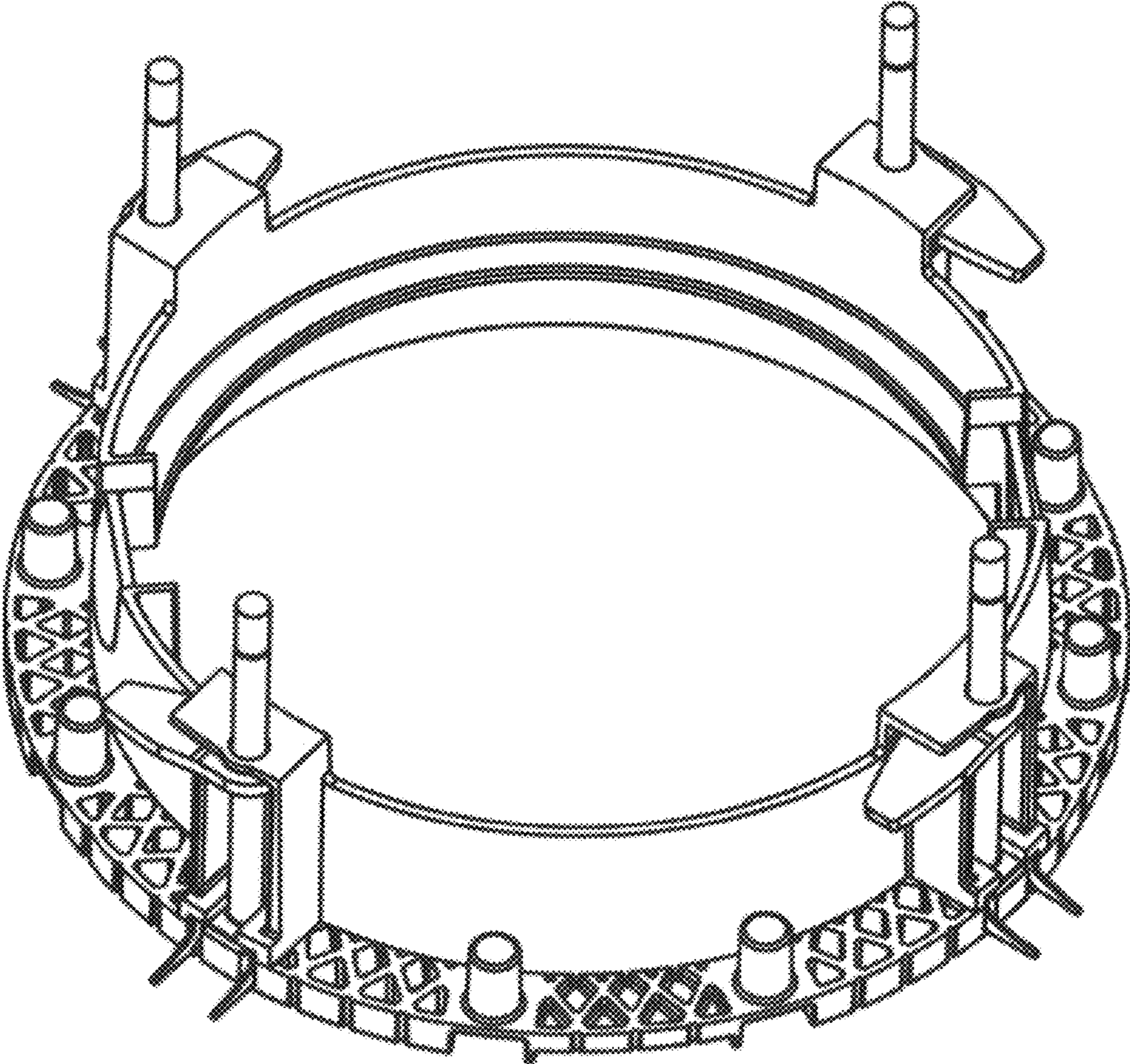


1.2

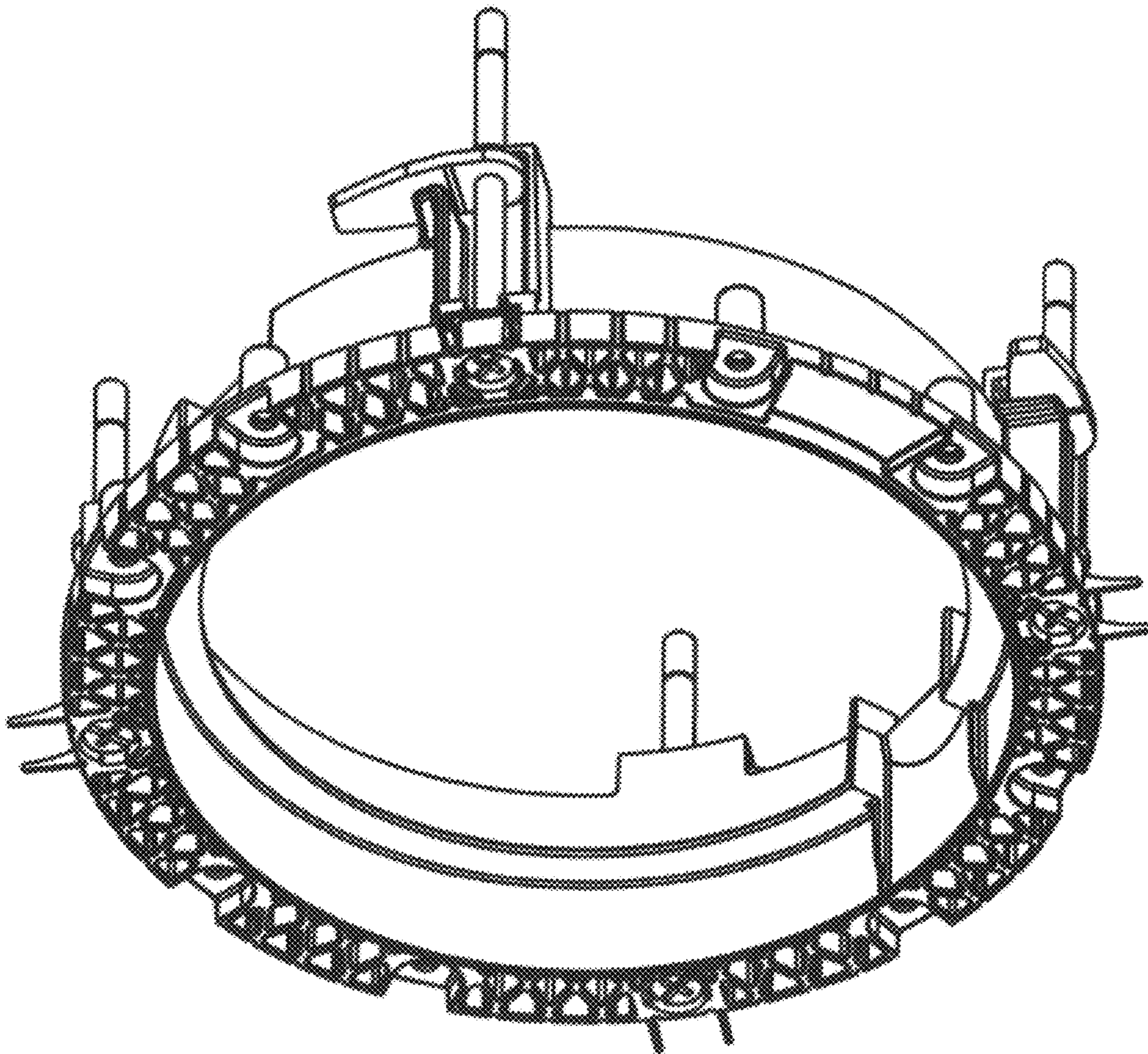




1.3

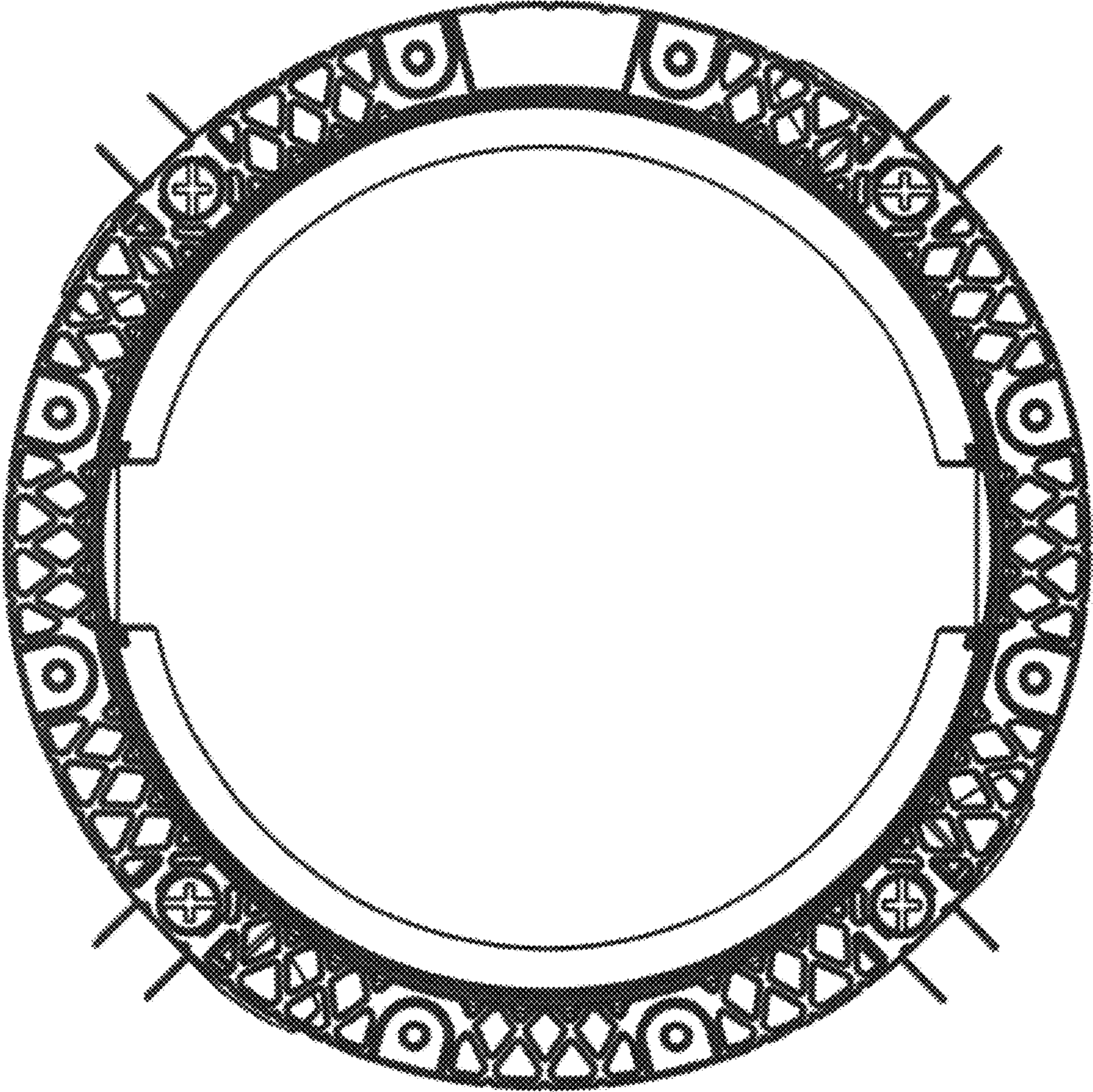


1.4





1.5



1.6

