



US00D840093S

(12) **United States Design Patent**  
**Solow**

(10) **Patent No.:** **US D840,093 S**  
(45) **Date of Patent:** **\*\* Feb. 5, 2019**

(54) **LENS COVER**

(71) Applicant: **WOLO MFG. CORP.**, Deer Park, NY (US)

(72) Inventor: **Stanley Solow**, Plainview, NY (US)

(73) Assignee: **WOLO MFG. CORP.**, Deer Park, NY (US)

(\*\*) Term: **15 Years**

(21) Appl. No.: **29/622,420**

(22) Filed: **Oct. 17, 2017**

(51) **LOC (11) Cl.** ..... **26-99**

(52) **U.S. Cl.**

USPC ..... **D26/139**

(58) **Field of Classification Search**

USPC ..... D26/28-36, 139

CPC ..... F21S 48/00; F21S 48/10; F21S 48/115;  
F21S 48/225; F21S 48/1233; F21S  
48/1266; F21S 48/1388; F21S 48/2268;  
F21V 21/04; B60Q 9/13; B60Q 9/135;  
B60Q 9/1375

See application file for complete search history.

(56) **References Cited**

**U.S. PATENT DOCUMENTS**

D425,240 S \* 5/2000 Goeckeritz ..... D26/139  
D676,599 S \* 2/2013 Davidson ..... D26/139

\* cited by examiner

*Primary Examiner* — Marcus A Jackson

(74) *Attorney, Agent, or Firm* — Andrew F. Young, Esq.;  
Lackenback Siegel, LLP

(57) **CLAIM**

The ornamental design for a lens cover, as shown and described.

**DESCRIPTION**

FIG. 1 is a front top perspective view of a lens cover showing my new design.

FIG. 2 is a bottom rear perspective view thereof at a first angle.

FIG. 3 is a bottom rear perspective view thereof at a second angle.

FIG. 4 is a left side elevation view thereof.

FIG. 5 is a right side elevation view thereof.

FIG. 6 is a front elevation view thereof.

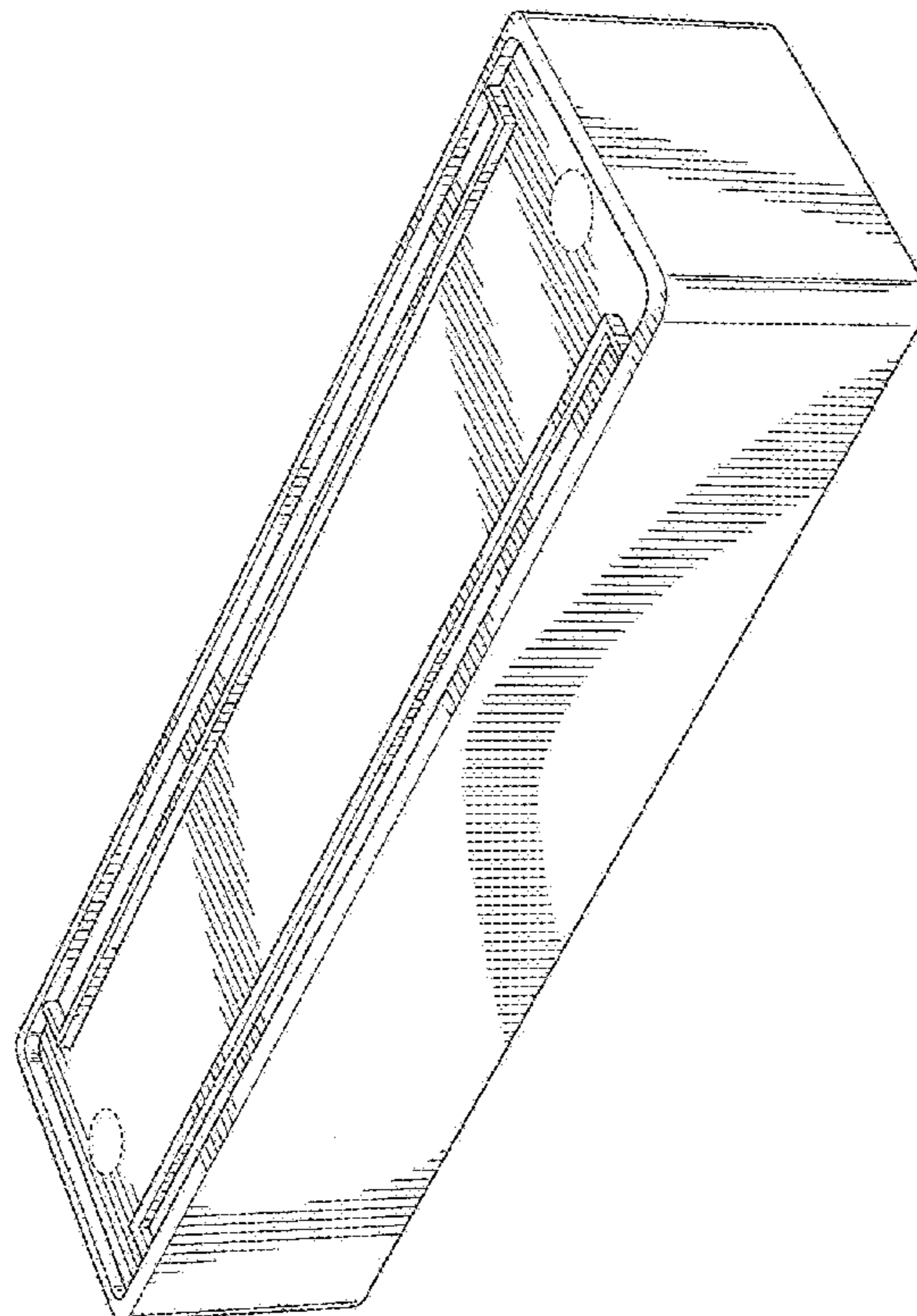
FIG. 7 is a rear elevation view thereof.

FIG. 8 is a bottom plan view thereof; and,

FIG. 9 is a top plan view thereof.

No claim is made to the dash-dash lines which form no part of the claimed design. No claim is made to portions which are not shown. No claim is made to the internal materials shown in cross-section lining.

**1 Claim, 6 Drawing Sheets**



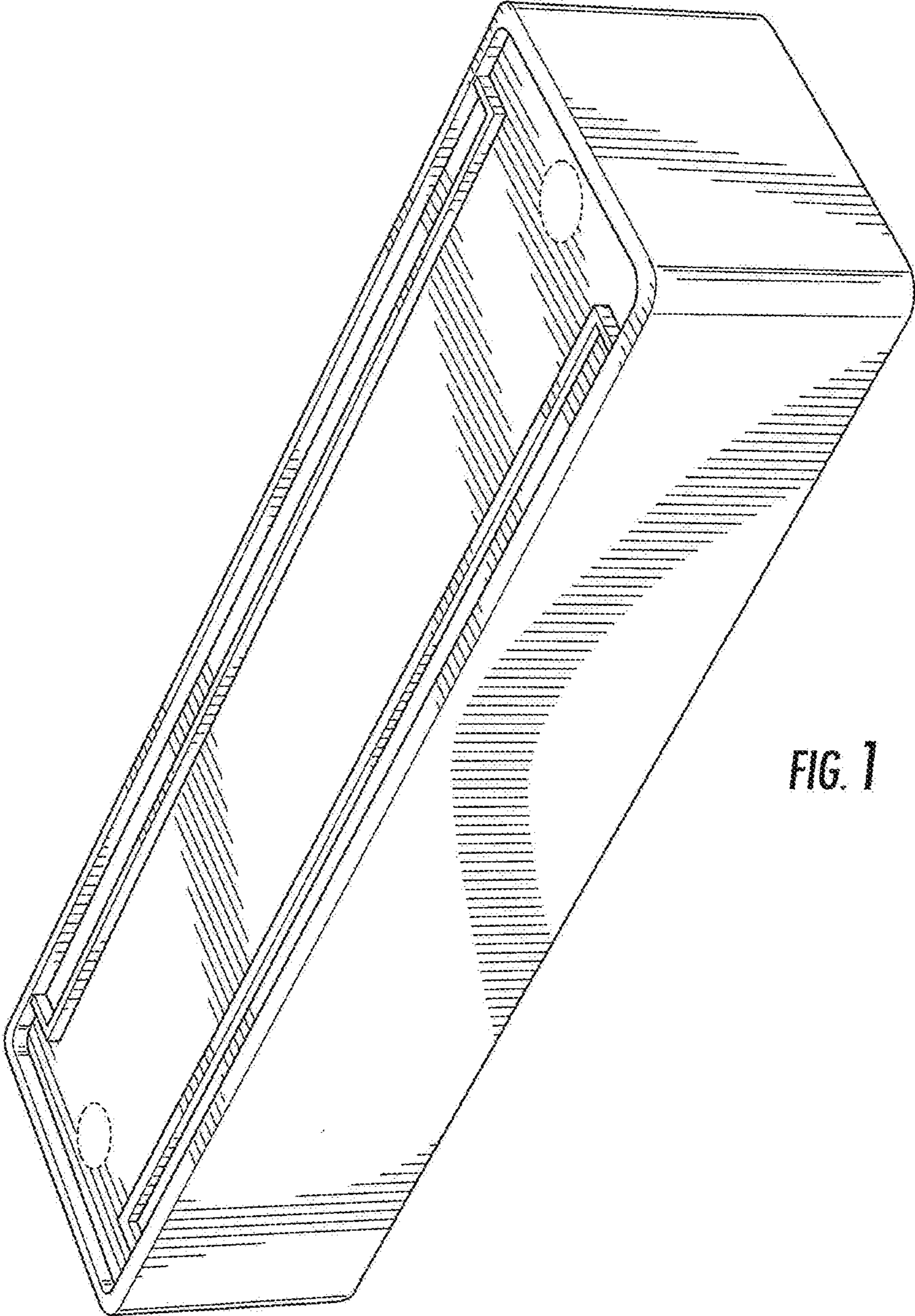


FIG. 1

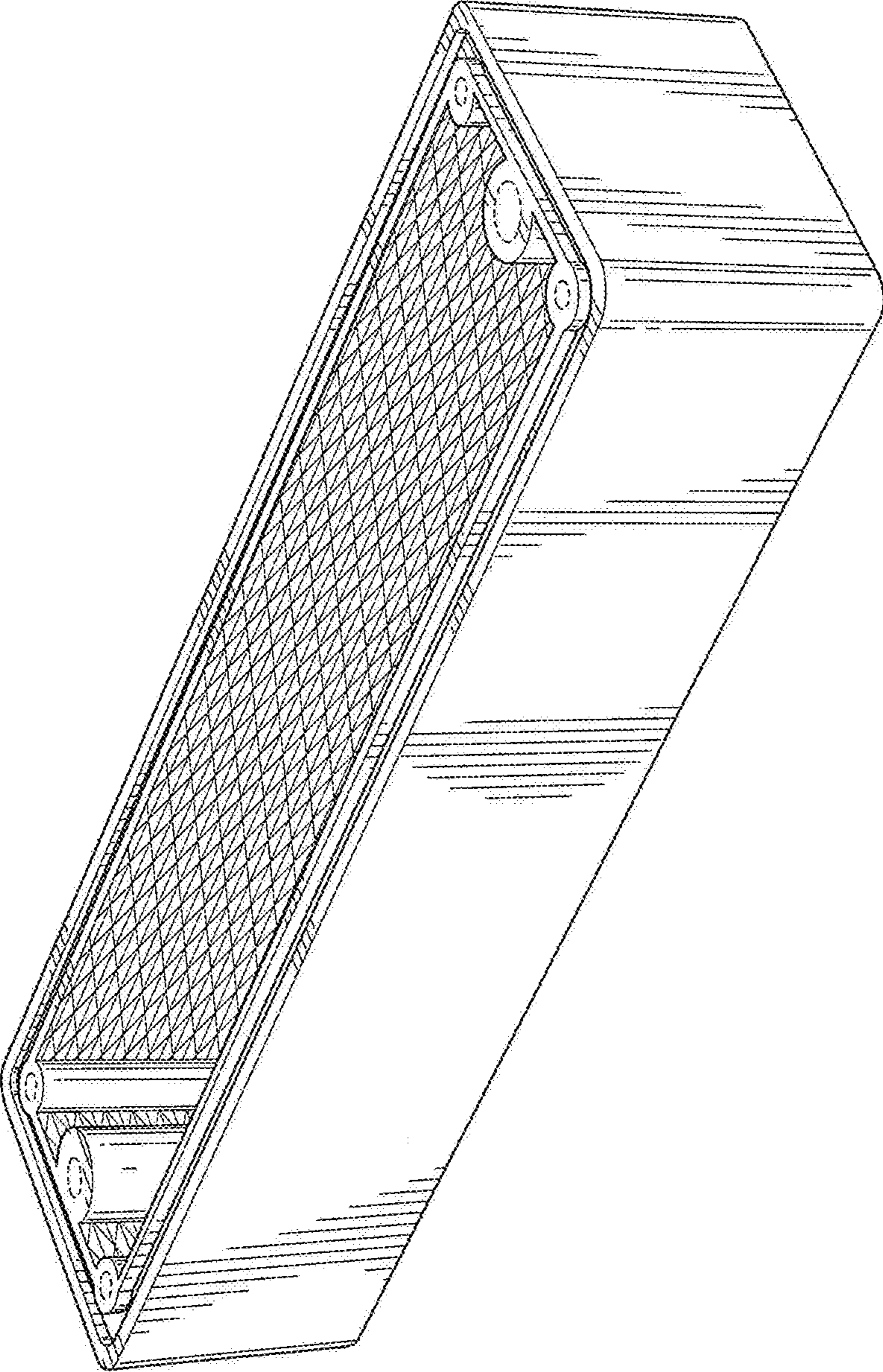


FIG. 2

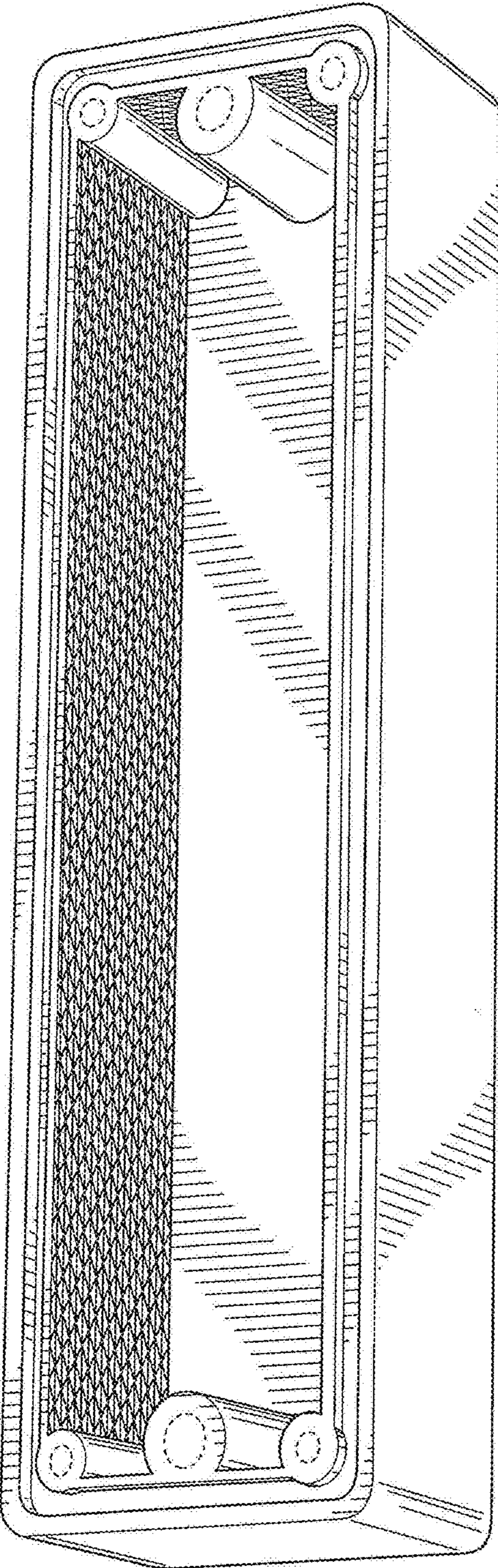
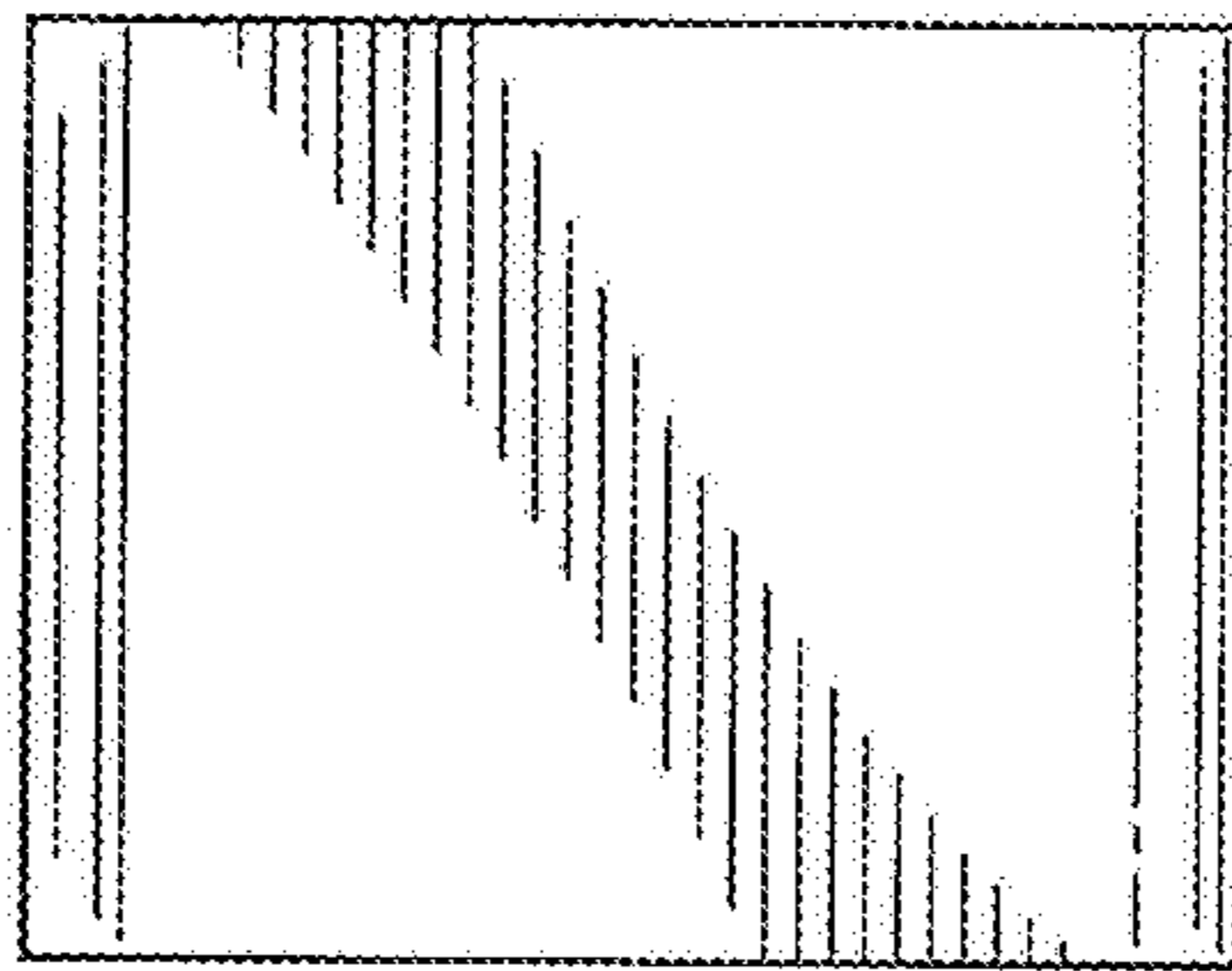
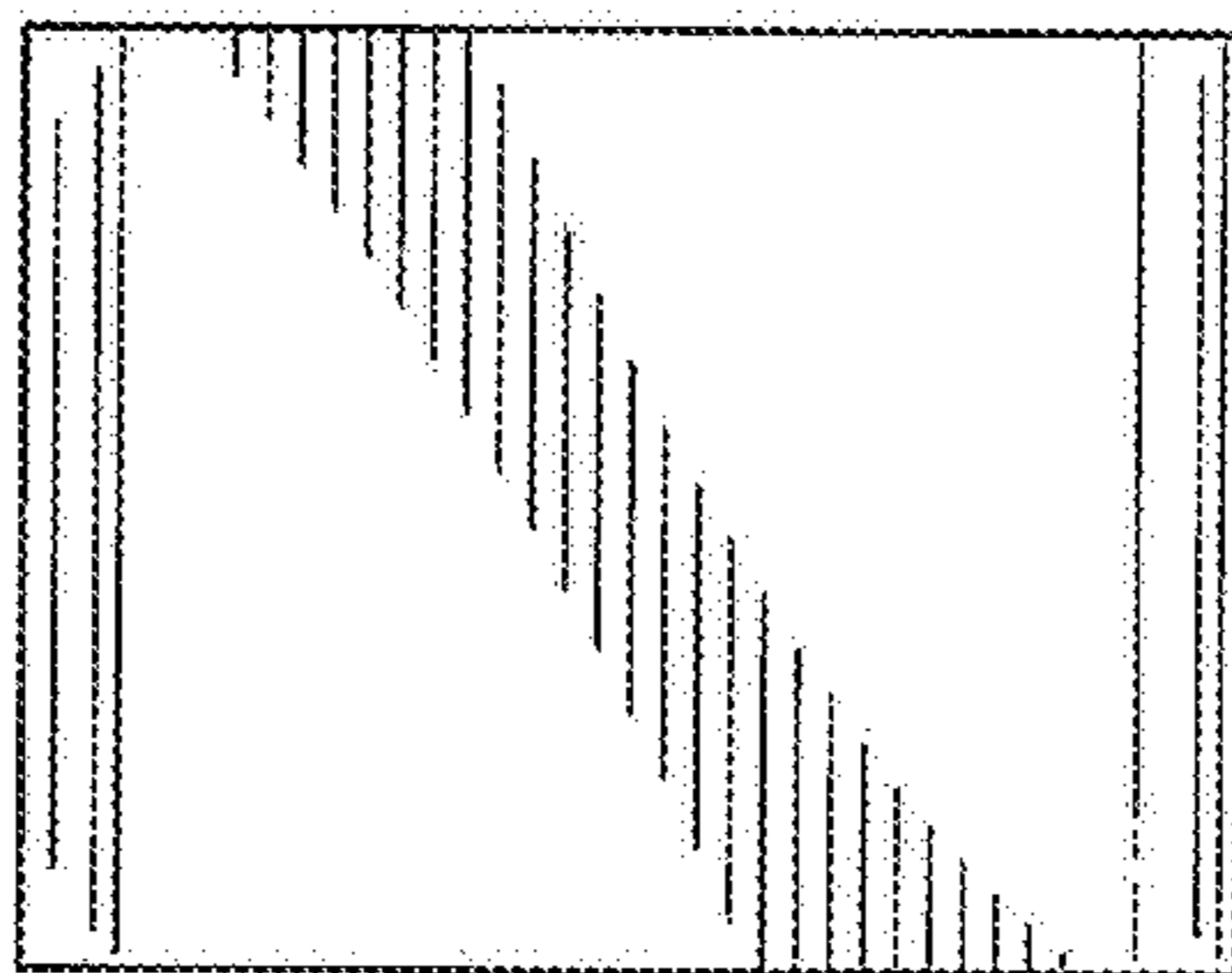


FIG. 3



*FIG. 4*



*FIG. 5*

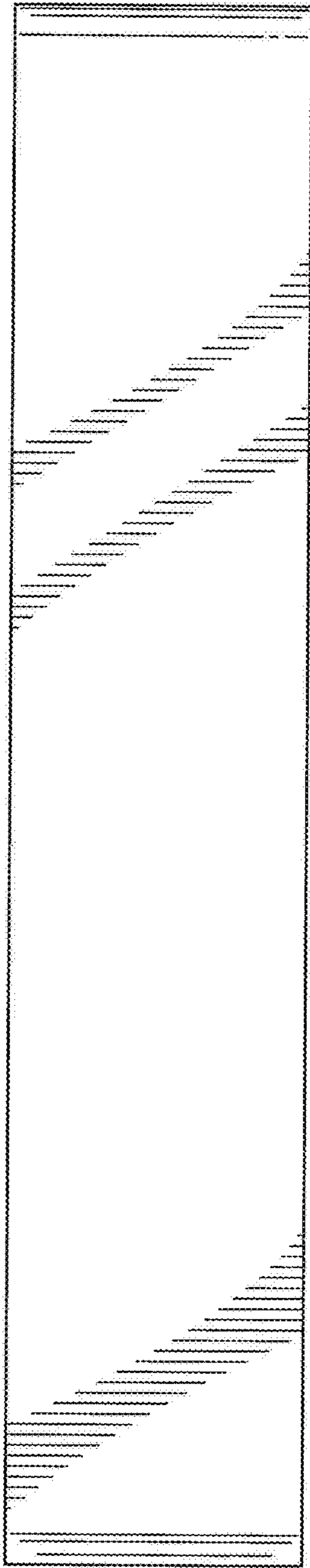


FIG. 6

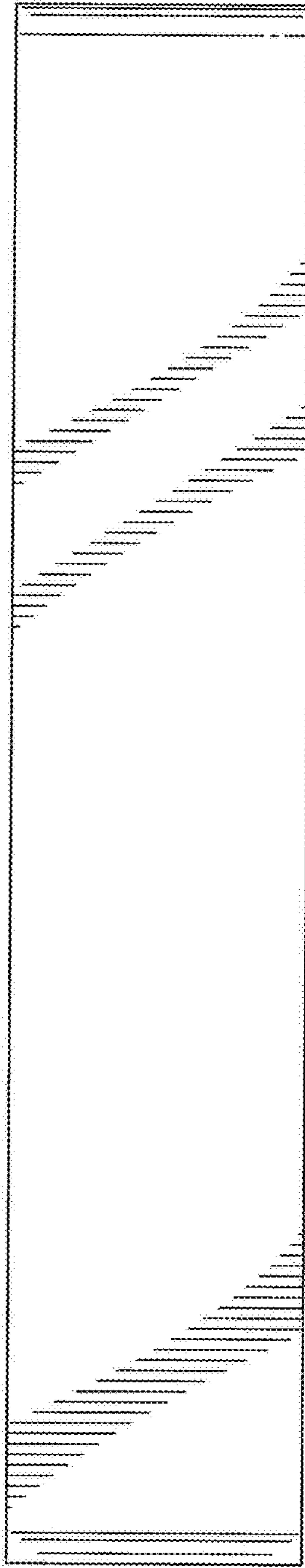


FIG. 7

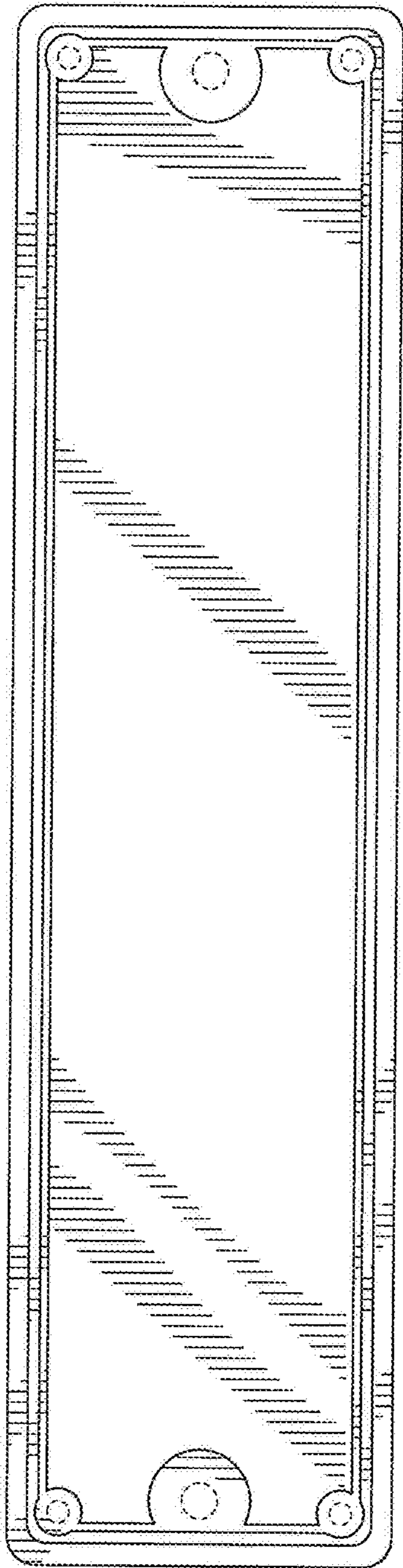


FIG. 8

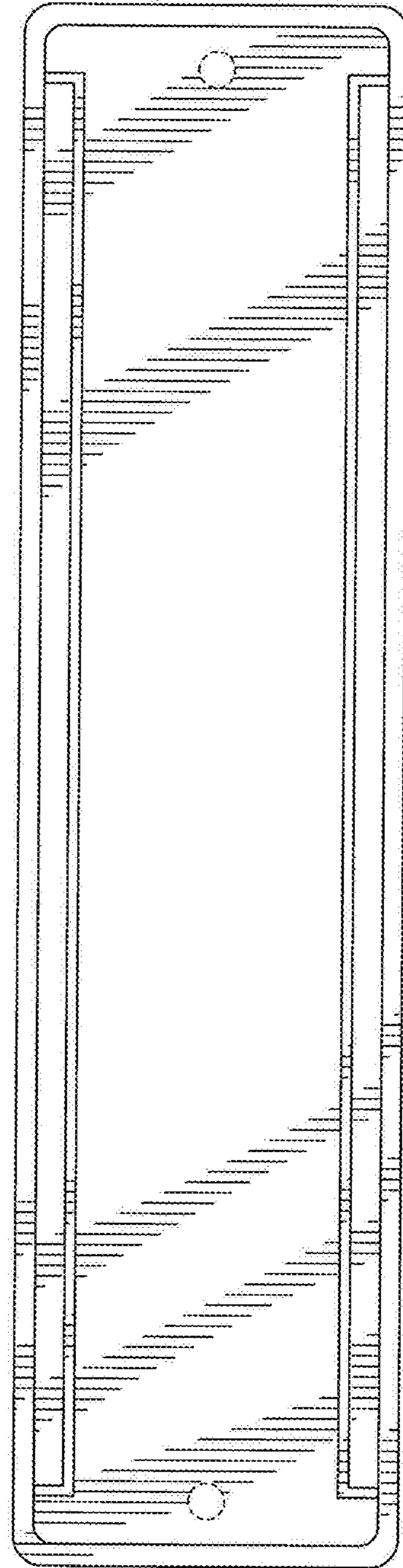


FIG. 9