



US00D840091S

(12) **United States Design Patent**
Elfring et al.

(10) **Patent No.:** **US D840,091 S**

(45) **Date of Patent:** **** Feb. 5, 2019**

(54) **MEDICAL LAMP**

(71) Applicant: **Drägerwerk AG & Co. KGaA**, Lübeck (DE)

(72) Inventors: **Robert Elfring**, Lübeck (DE); **Christian Vry**, Lübeck (DE); **Christian Elsenbach**, Bargteheide (DE); **Hanno Kretschmann**, Hamburg (DE)

(73) Assignee: **Drägerwerk AG & Co. KGaA**, Lübeck (DE)

(**) Term: **15 Years**

(21) Appl. No.: **29/587,772**

(22) Filed: **Dec. 15, 2016**

(30) **Foreign Application Priority Data**

Apr. 20, 2015 (EP) 002684415-0001
Apr. 20, 2015 (EP) 002684415-0002

(Continued)

(51) **LOC (11) Cl.** **26-99**

(52) **U.S. Cl.**
USPC **D26/118**

(58) **Field of Classification Search**
USPC D26/118

(Continued)

(56) **References Cited**

U.S. PATENT DOCUMENTS

D336,146 S * 6/1993 Yamada D26/65
D469,916 S * 2/2003 Caferro D26/123

(Continued)

Primary Examiner — Zenia I Bennett

(74) *Attorney, Agent, or Firm* — McGlew and Tuttle, P.C.

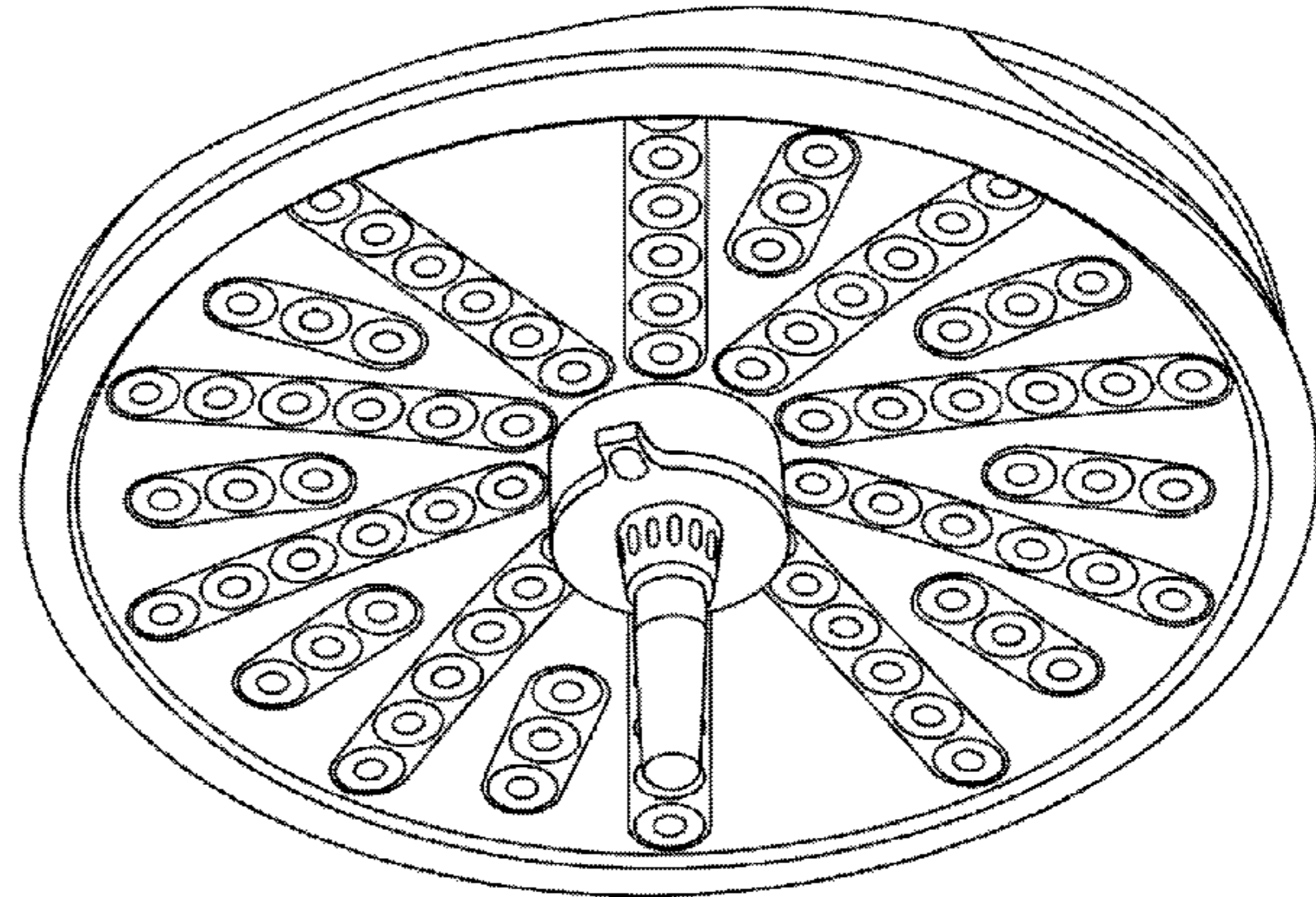
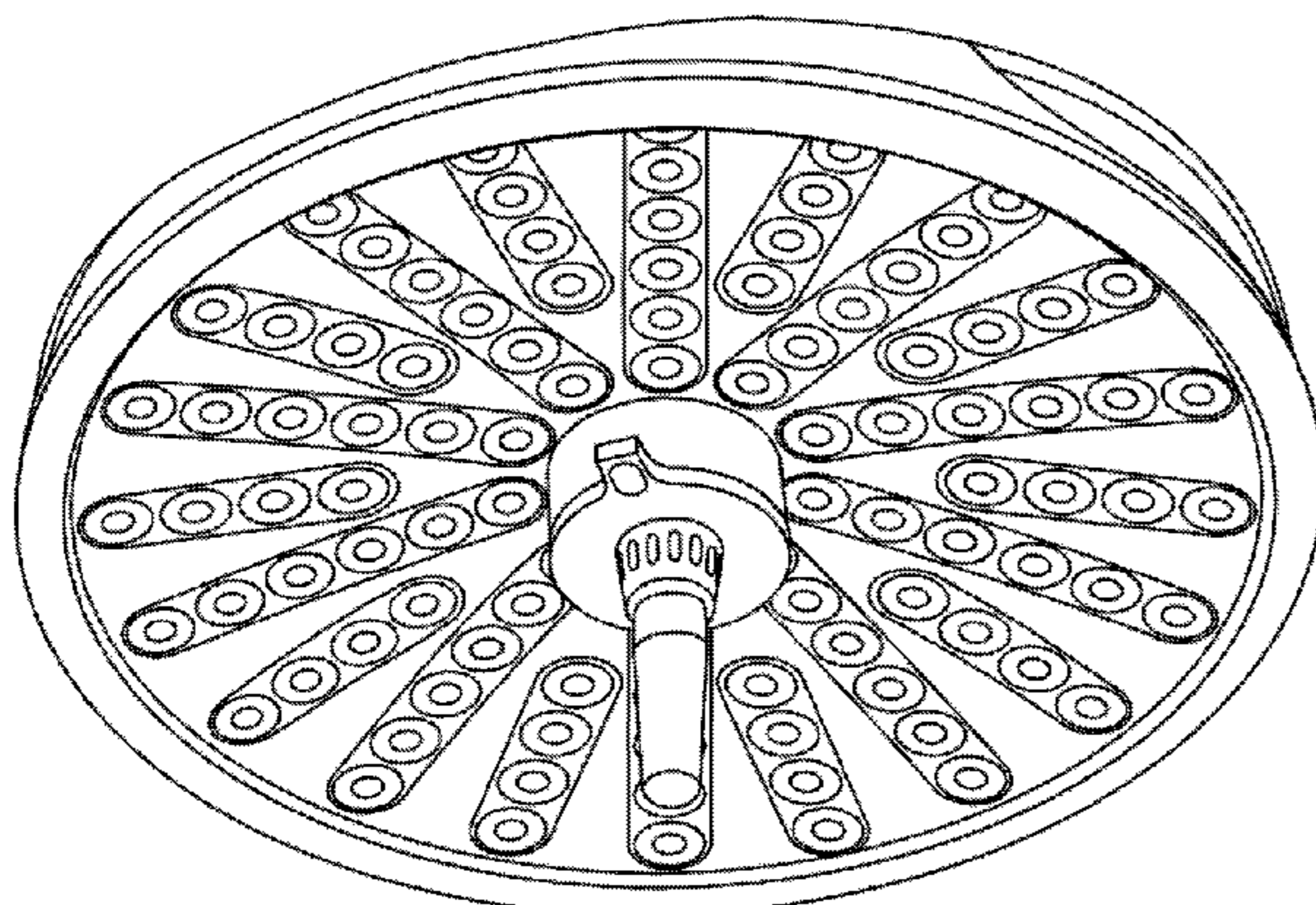
(57) **CLAIM**

The ornamental design for a medical lamp, as shown and described.

DESCRIPTION

FIG. 1 is a perspective view of my design; FIG. 2 is a front view of the design of FIG. 1; FIG. 3 is a rear view of the design of FIG. 1; FIG. 4 is a right side view of the design of FIG. 1; FIG. 5 is a left side view of the design of FIG. 1; FIG. 6 is a top view of the design of FIG. 1; FIG. 7 is a bottom view of the design of FIG. 1; FIG. 8 is a perspective view of another design; FIG. 9 is a front view of the design of FIG. 8; FIG. 10 is a rear view of the design of FIG. 8; FIG. 11 is a right side view of the design of FIG. 8; FIG. 12 is a left side view of the design of FIG. 8; FIG. 13 is a top view of the design of FIG. 8; FIG. 14 is a bottom view of the design of FIG. 8; FIG. 15 is a perspective view of yet another design; FIG. 16 is a front view of the design of FIG. 15; FIG. 17 is a rear view of the design of FIG. 15; FIG. 18 is a right side view of the design of FIG. 15; FIG. 19 is a left side view of the design of FIG. 15; FIG. 20 is a top view of the design of FIG. 15; FIG. 21 is a bottom view of the design of FIG. 15; FIG. 22 is a perspective view of yet another design; FIG. 23 is a front view of the design of FIG. 22; FIG. 24 is a rear view of the design of FIG. 22; FIG. 25 is a right side view of the design of FIG. 22; FIG. 26 is a left side view of the design of FIG. 22; FIG. 27 is a top view of the design of FIG. 22; FIG. 28 is a bottom view of the design of FIG. 22; FIG. 29 is a perspective view of yet another design; FIG. 30 is a front view of the design of FIG. 29; FIG. 31 is a rear view of the design of FIG. 29; FIG. 32 is a right side view of the design of FIG. 29; FIG. 33 is a left side view of the design of FIG. 29; FIG. 34 is a top view of the design of FIG. 29; and, FIG. 35 is a bottom view of the design of FIG. 29.

1 Claim, 35 Drawing Sheets



(30) **Foreign Application Priority Data**

Apr. 20, 2015 (EP) 002684415-0005
Apr. 20, 2015 (EP) 002684415-0006
Apr. 20, 2015 (EP) 002684415-0010
Apr. 20, 2015 (EP) 002684415-0011
Apr. 20, 2015 (EP) 002684415-0013
Apr. 20, 2015 (EP) 002684415-0026
Apr. 20, 2015 (EP) 002684415-0027
May 20, 2015 (EP) 002684415-0009

(58) **Field of Classification Search**

CPC ... F21K 9/17; F21K 9/175; F21K 9/90; F21V
21/005

See application file for complete search history.

(56) **References Cited**

U.S. PATENT DOCUMENTS

D471,664 S * 3/2003 Huang D26/123
D473,009 S * 4/2003 Jarrett D26/123
D476,107 S * 6/2003 Abry D26/63
D478,682 S * 8/2003 Abry D26/65
D712,087 S * 8/2014 Kjaergaard Toft D26/123

* cited by examiner

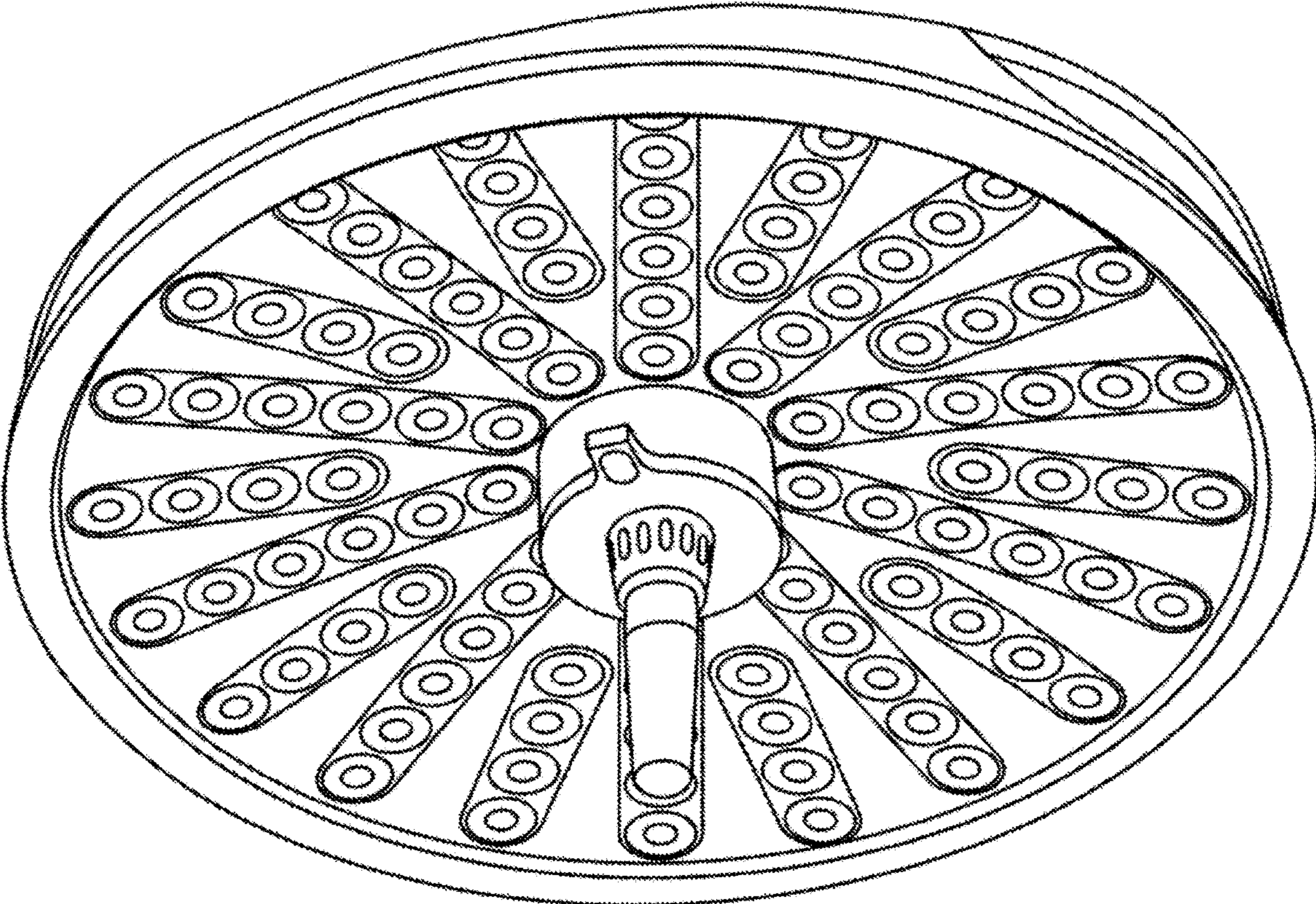


Fig. 1

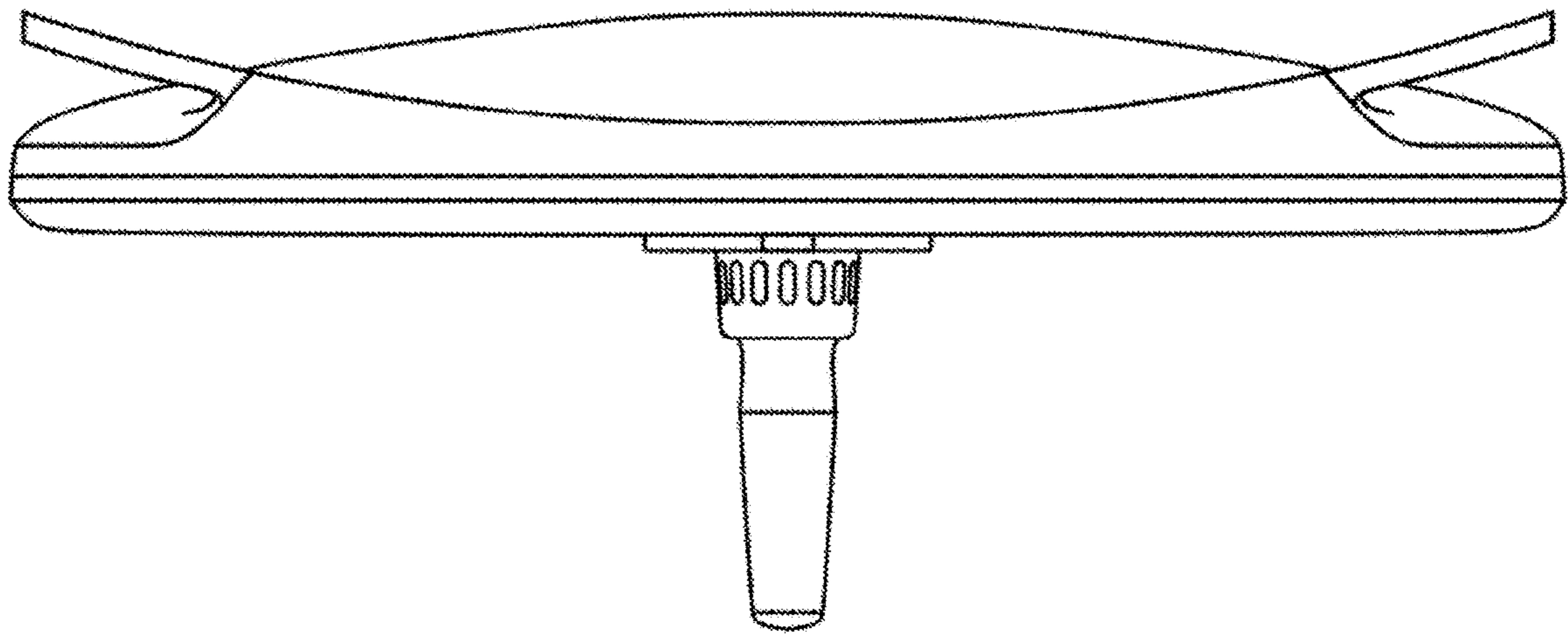


Fig. 2

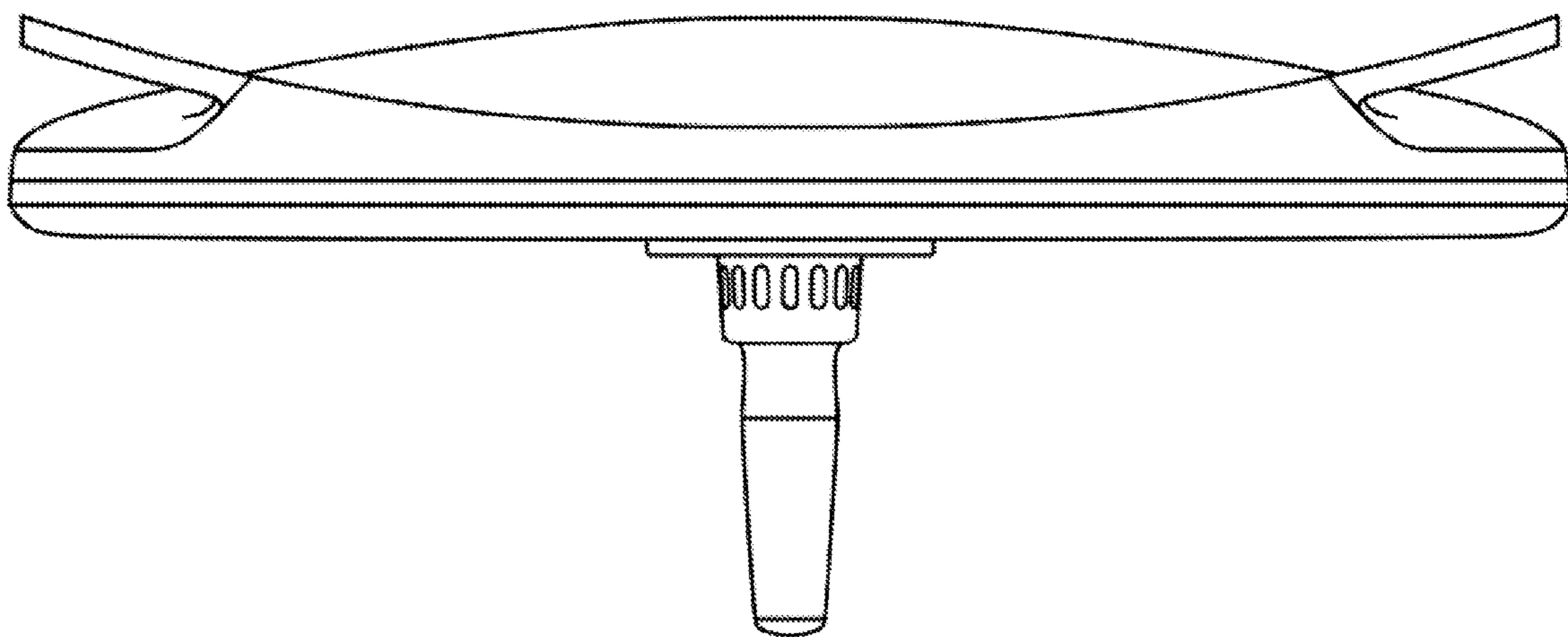


Fig. 3

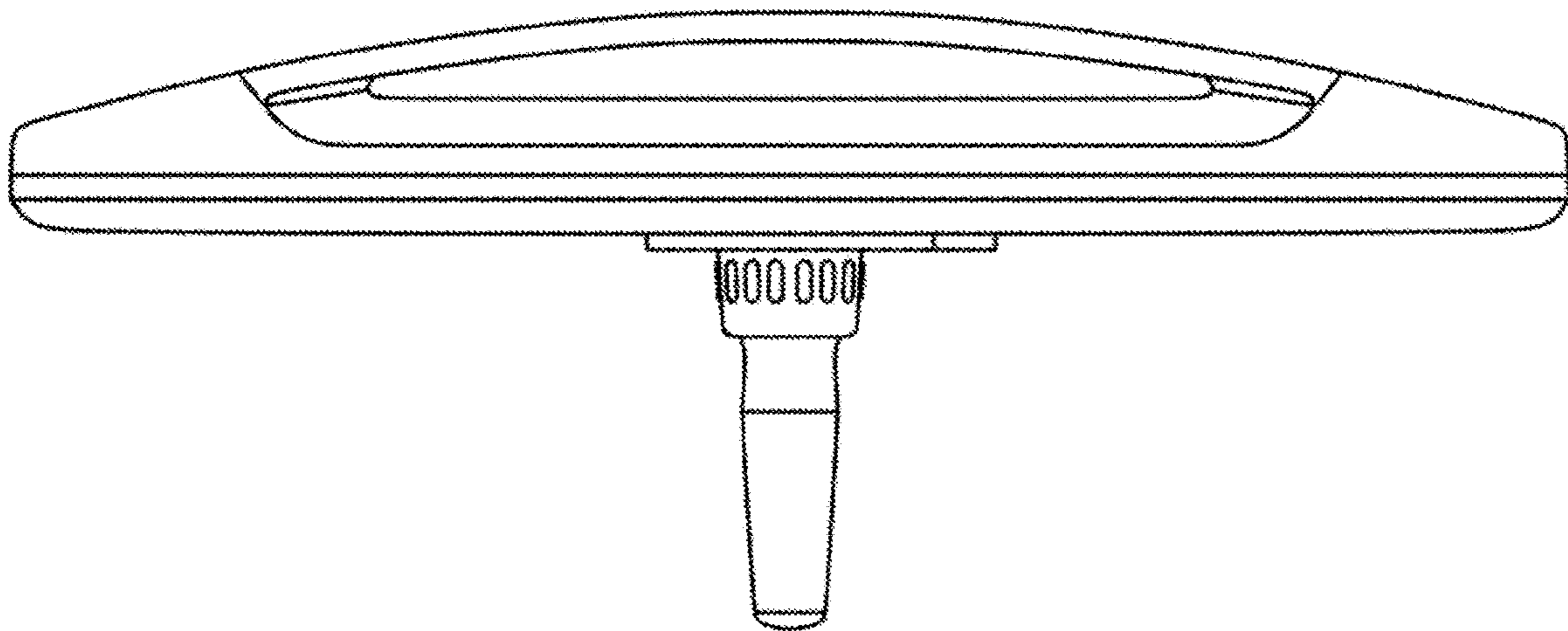


Fig. 4

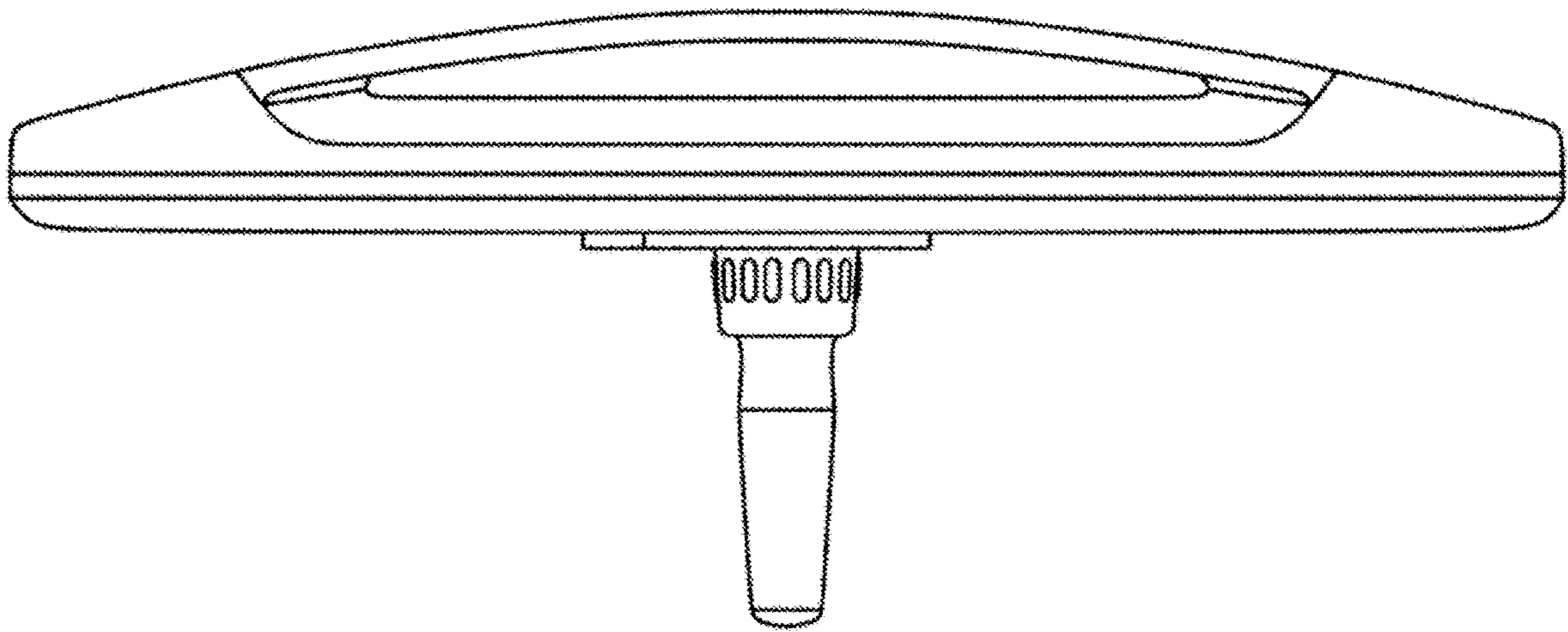


Fig. 5

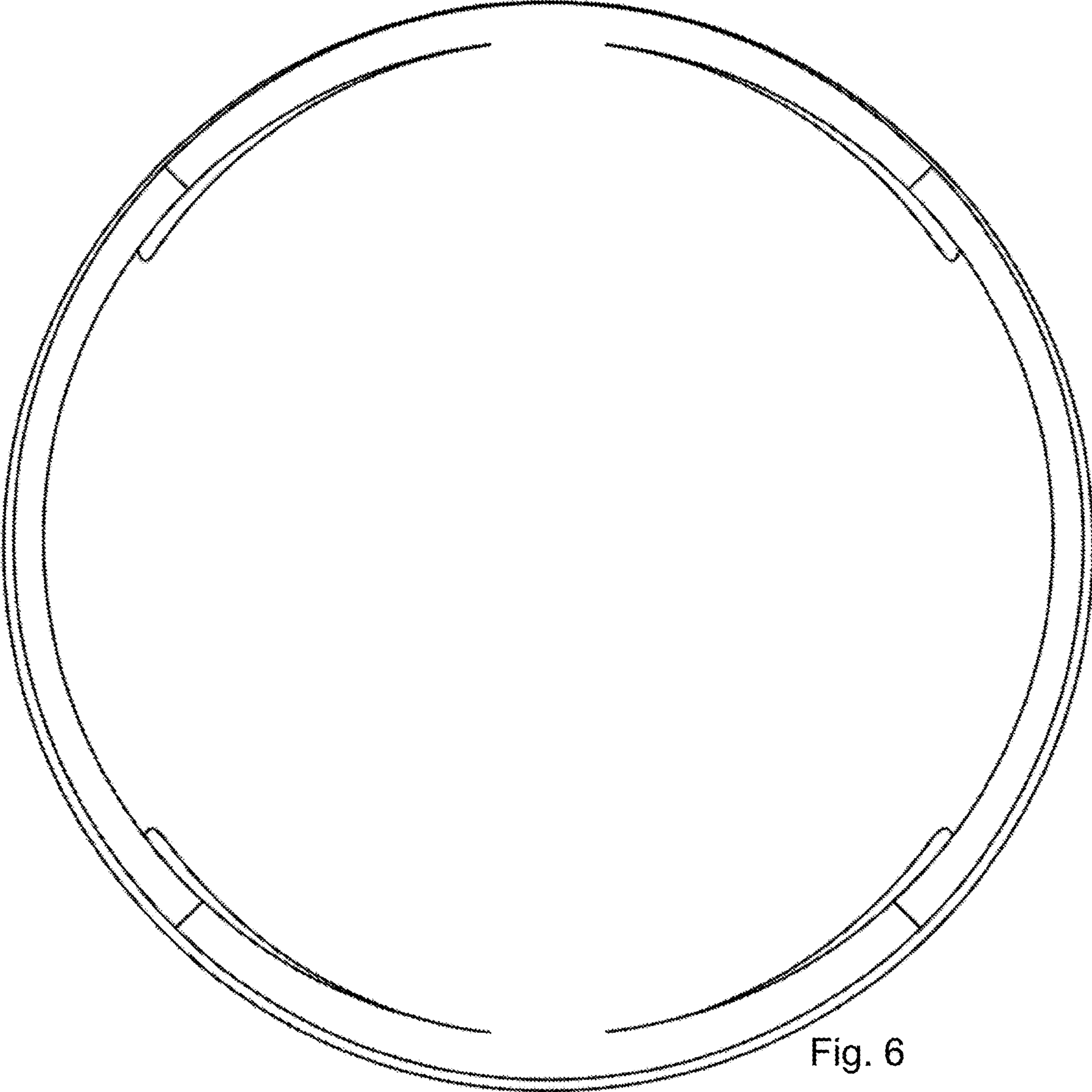


Fig. 6

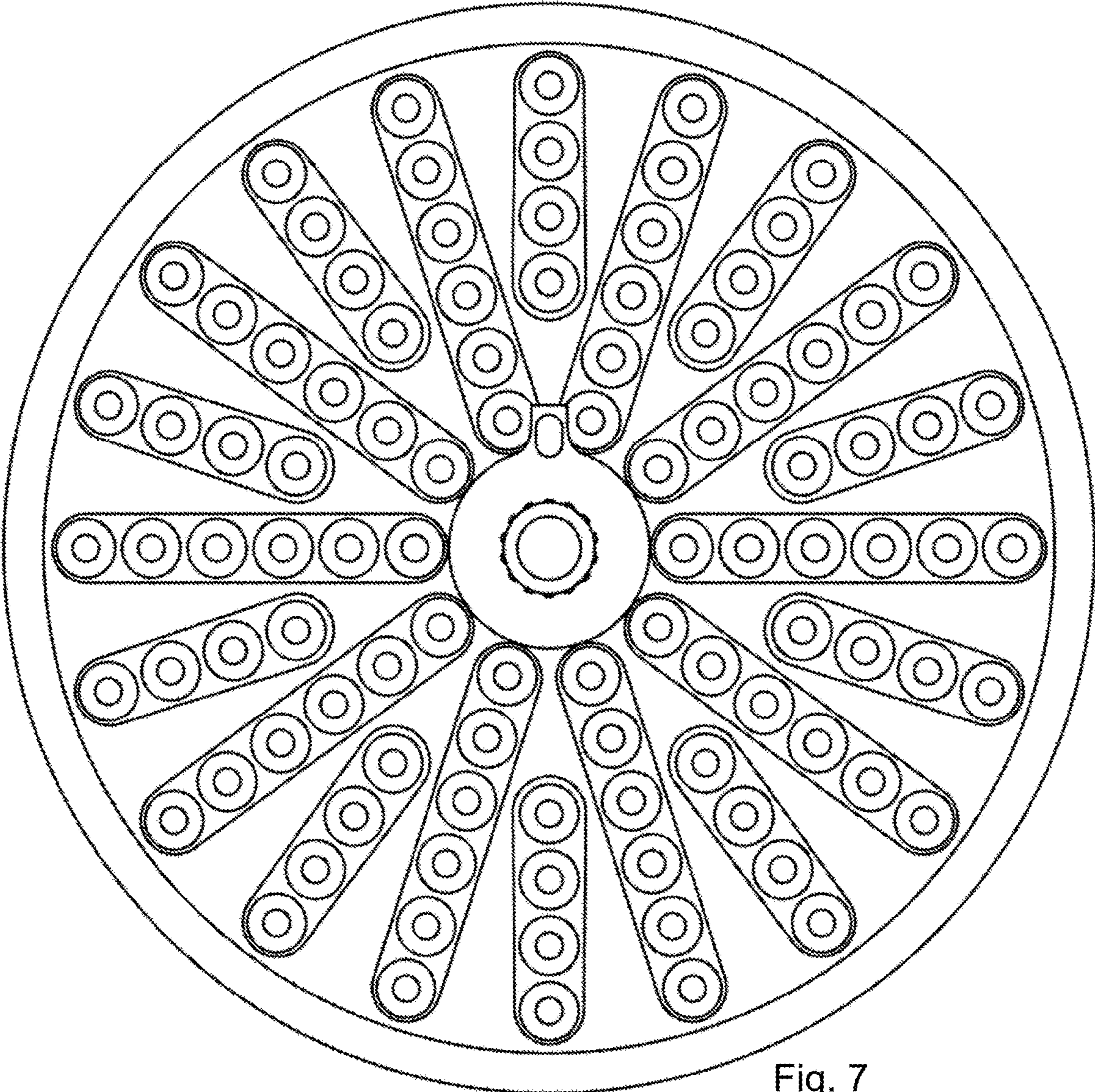


Fig. 7

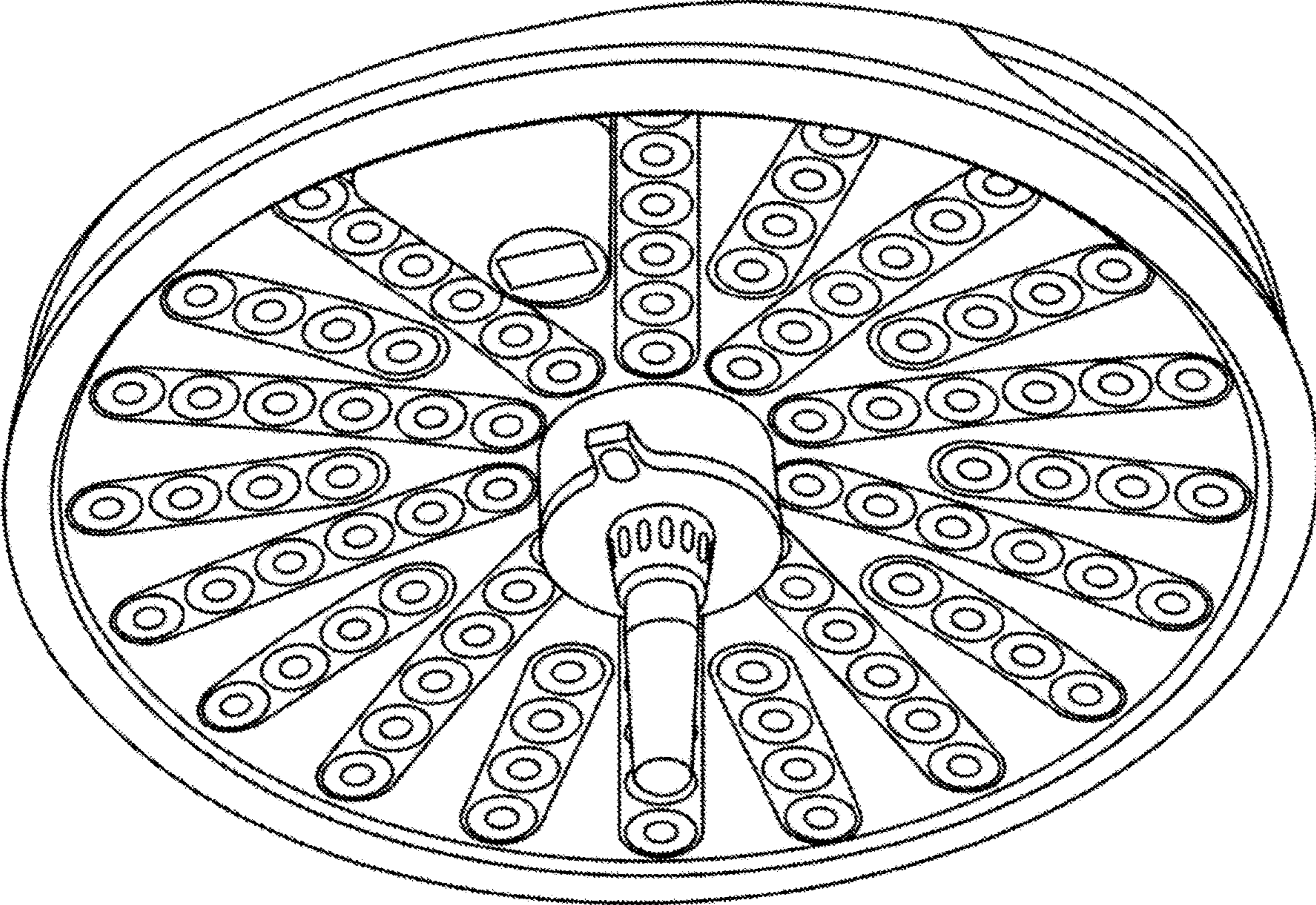


Fig. 8

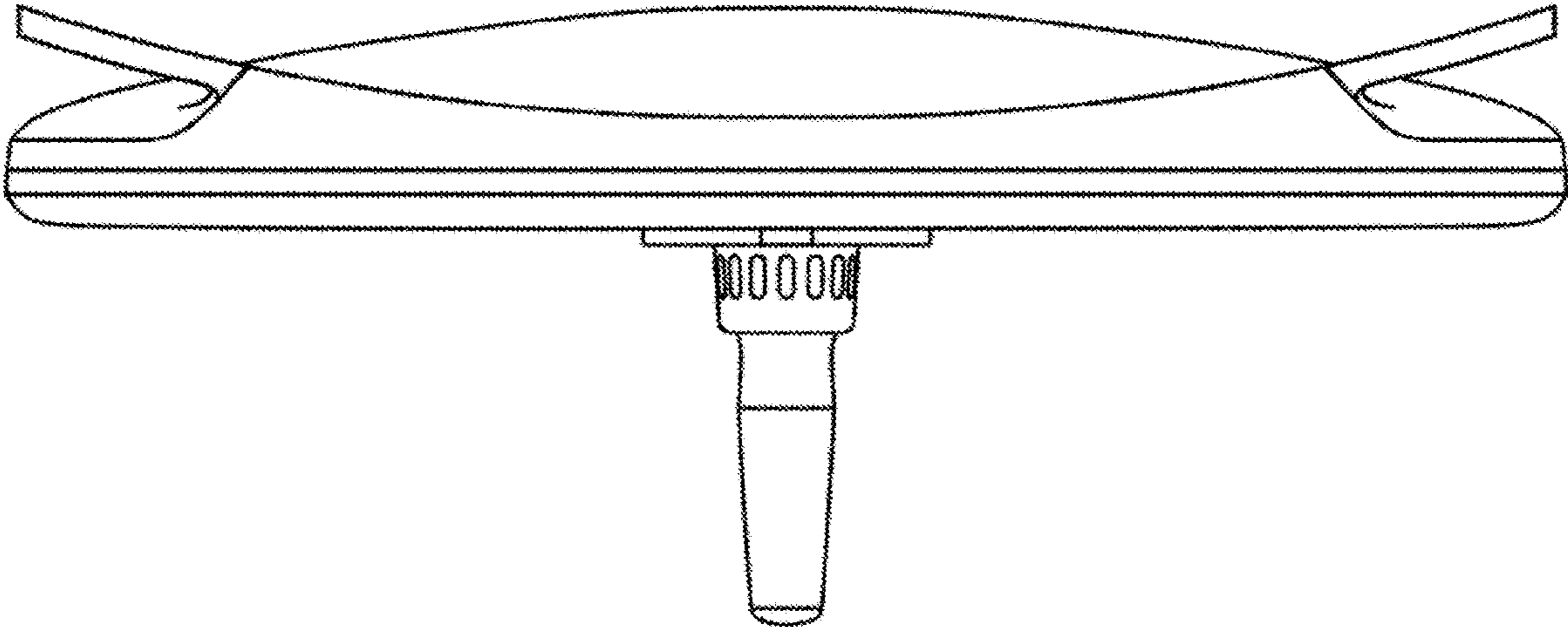


Fig. 9

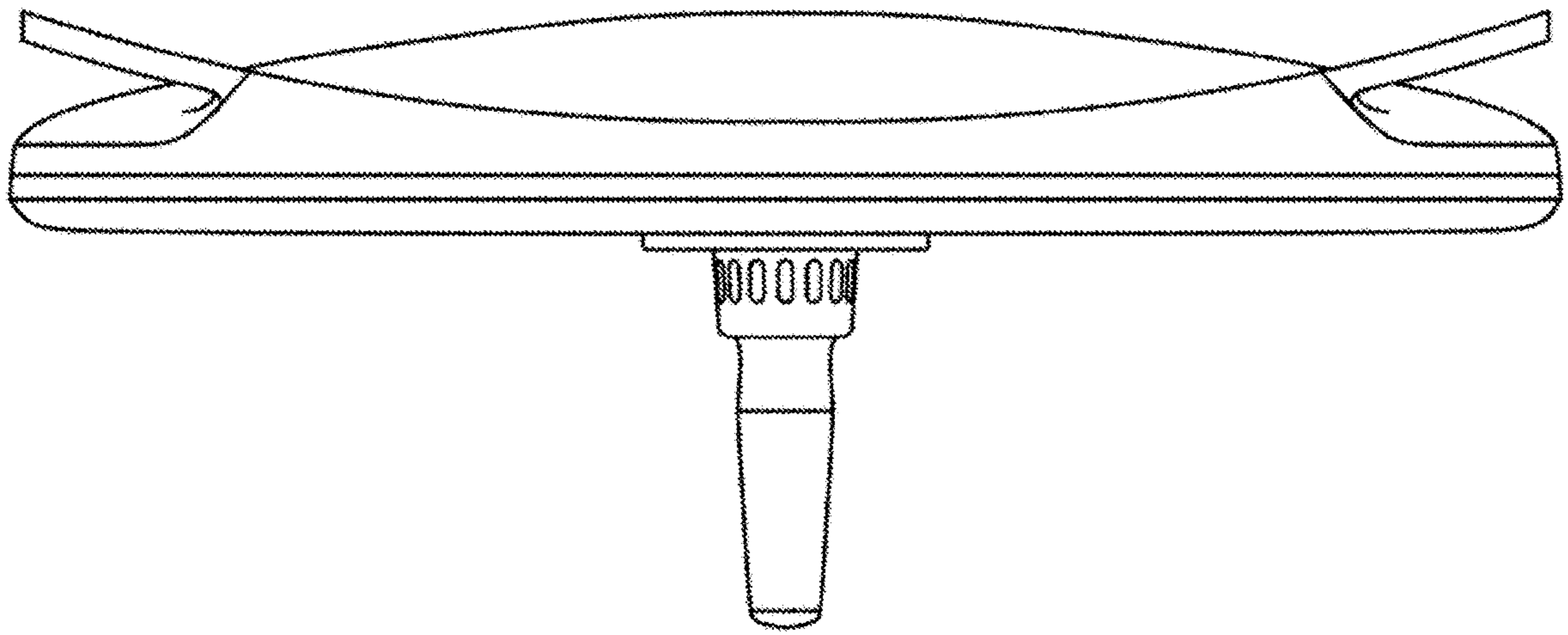


Fig. 10

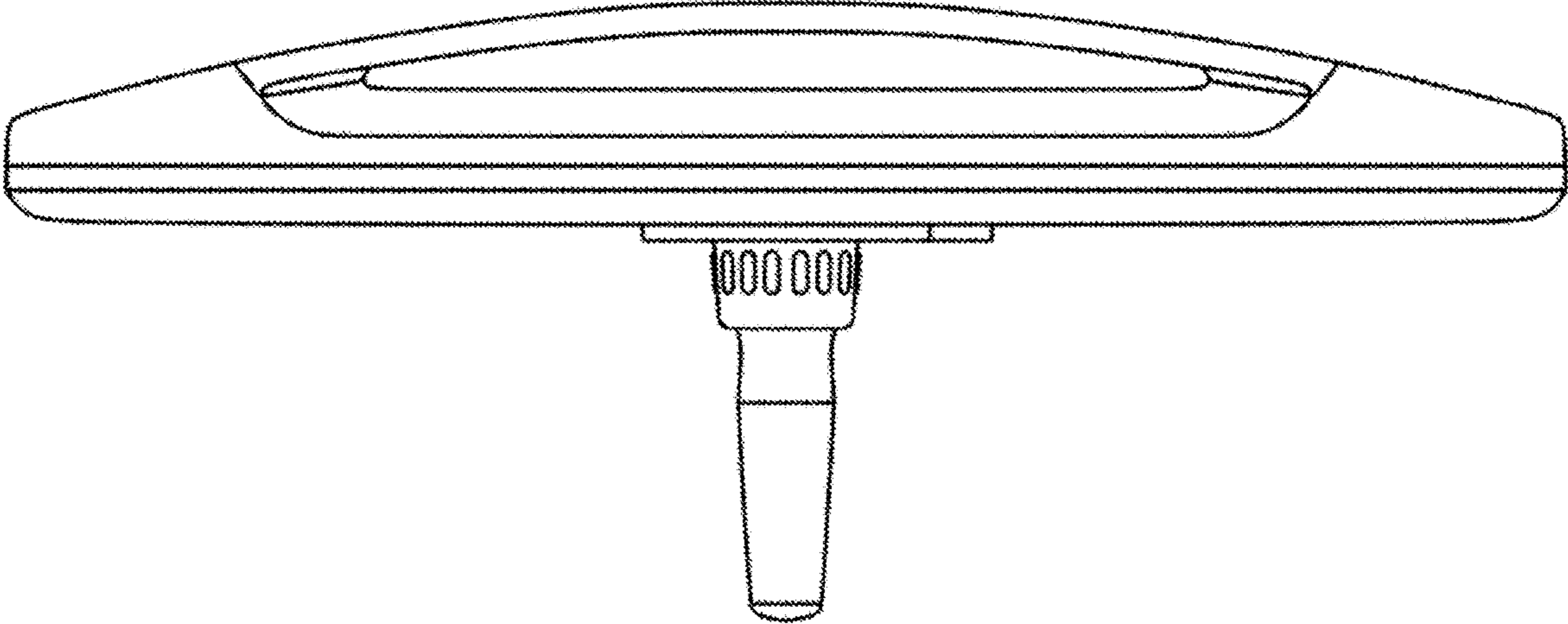


Fig. 11

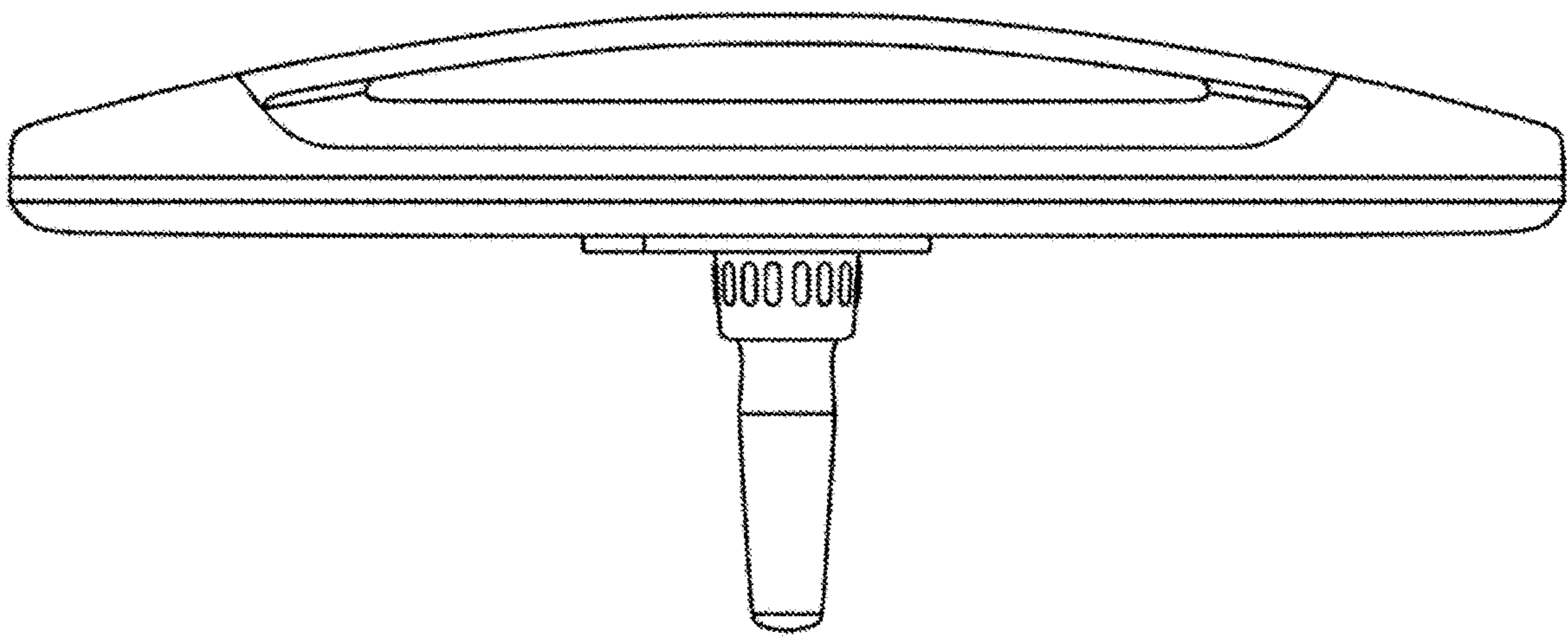


Fig. 12

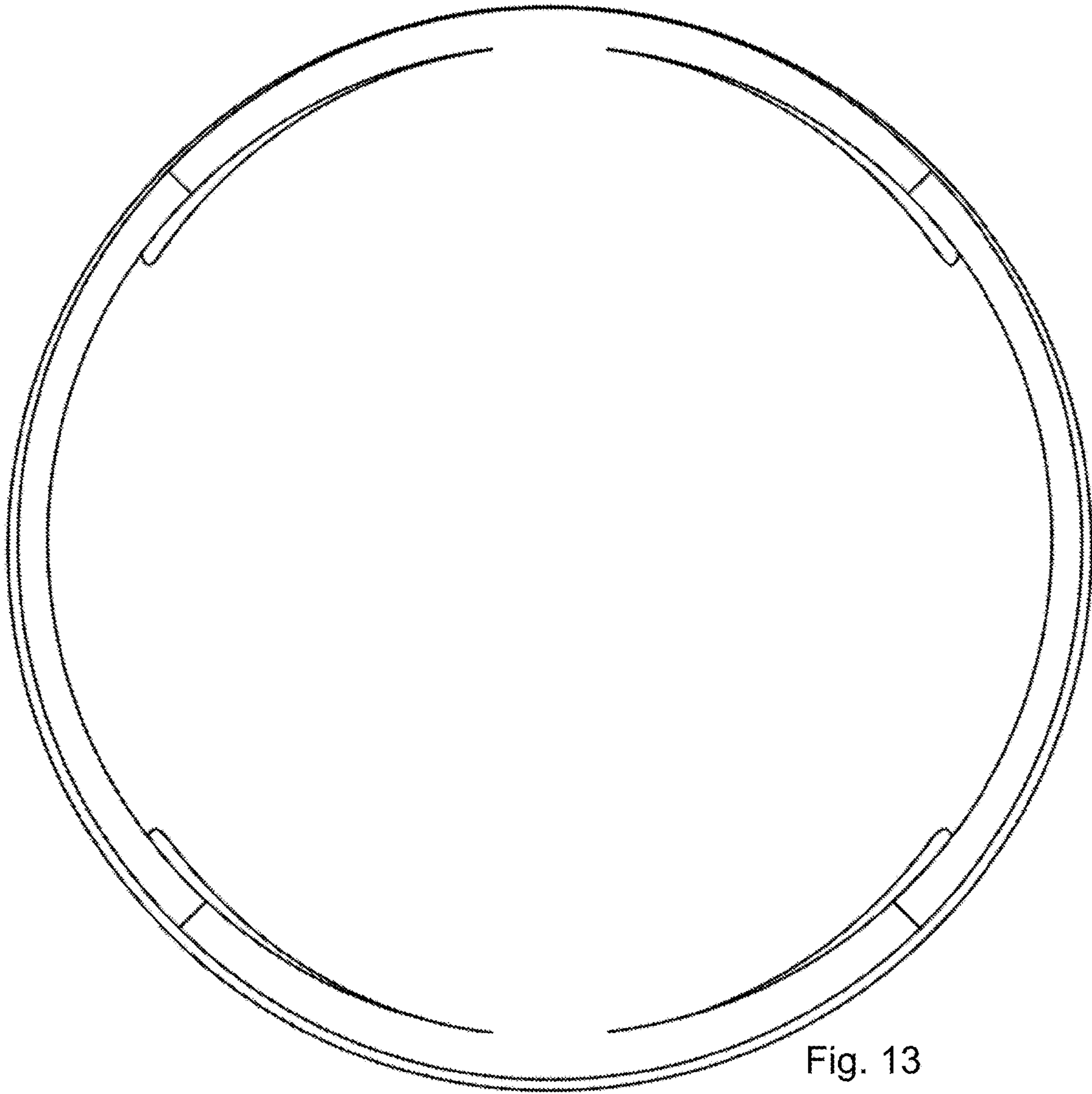


Fig. 13

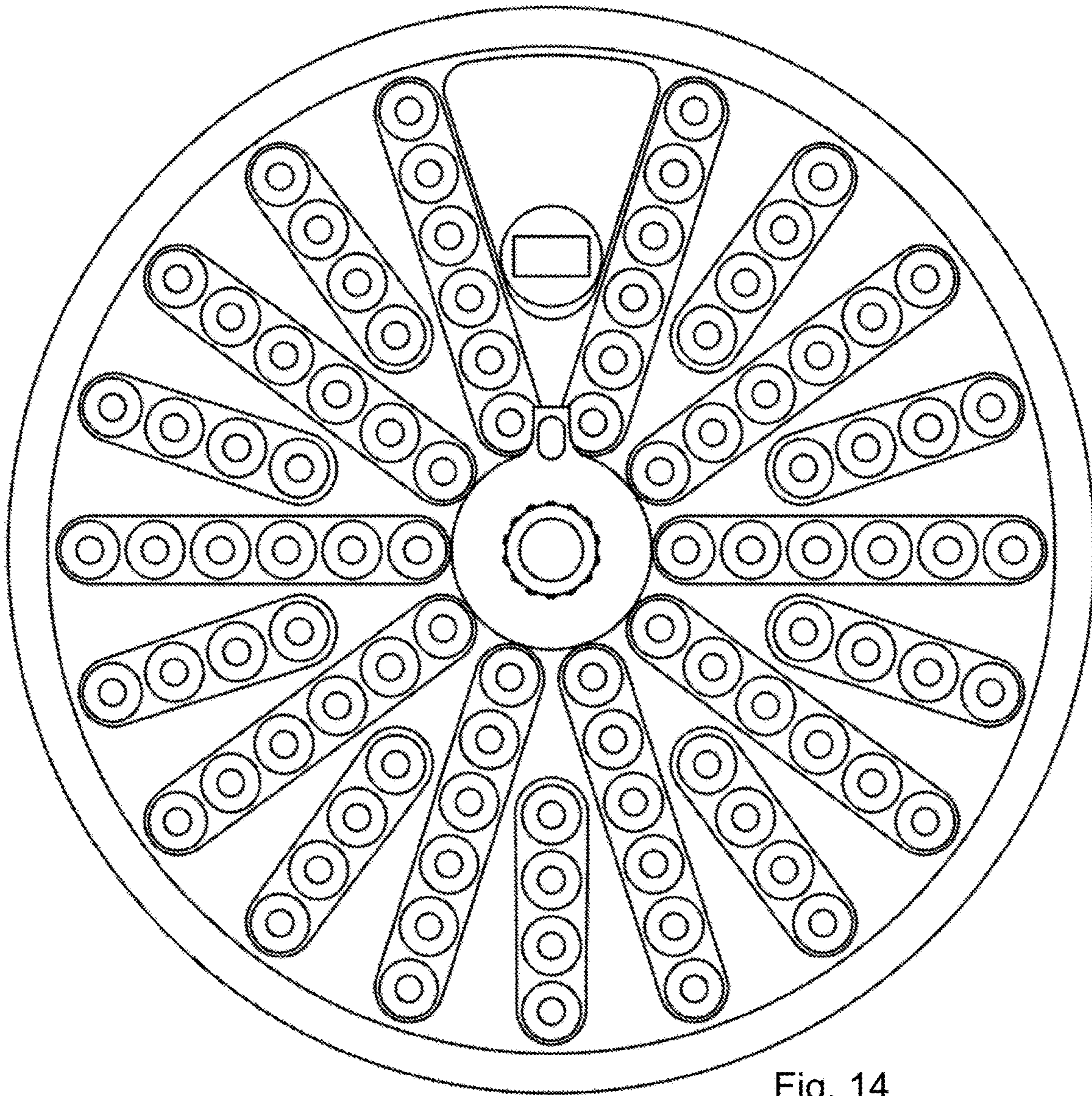


Fig. 14

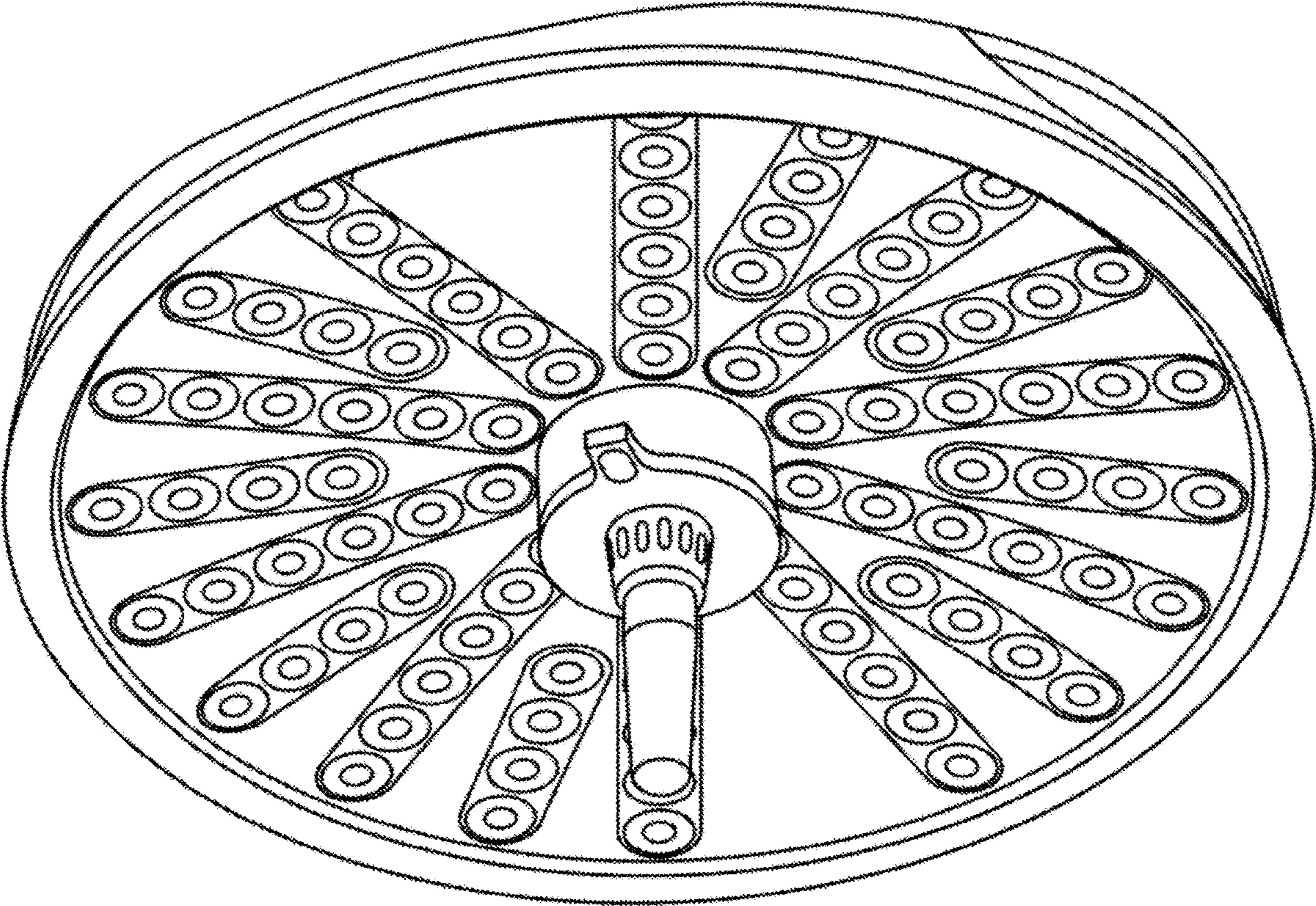


Fig. 15

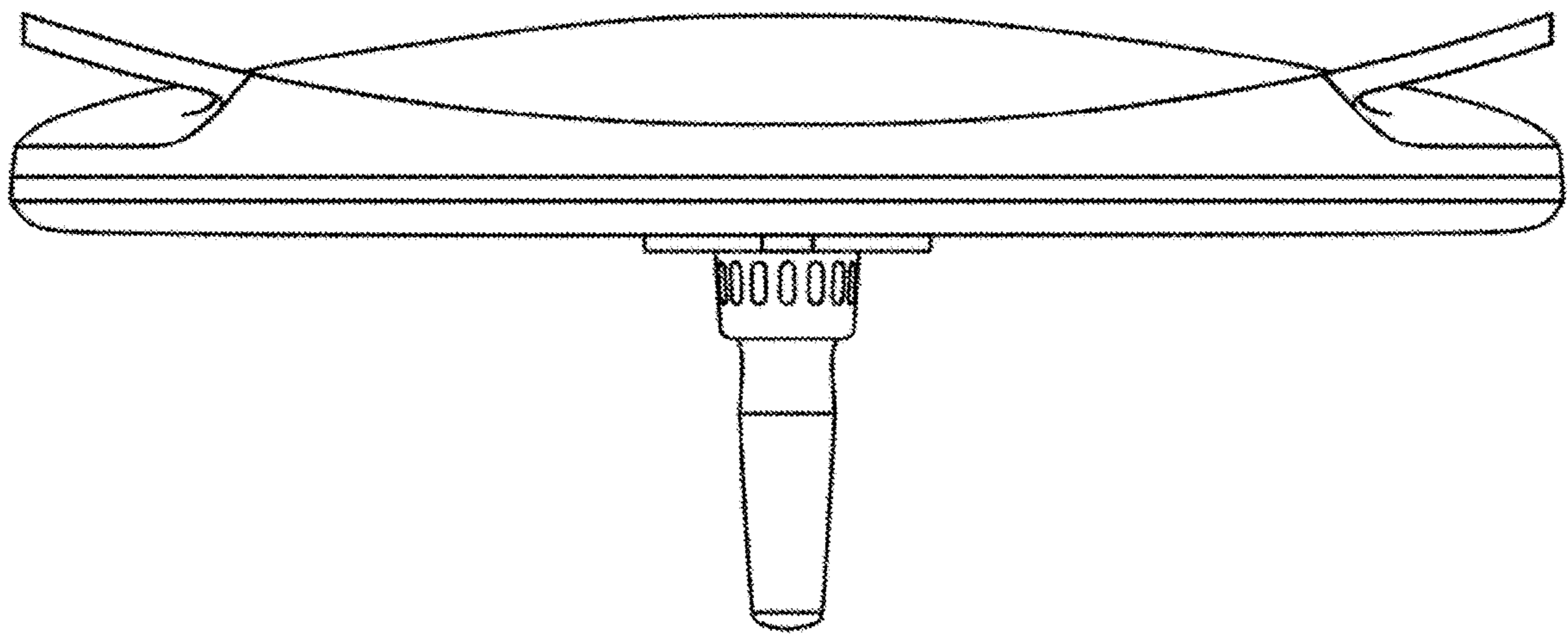


Fig. 16

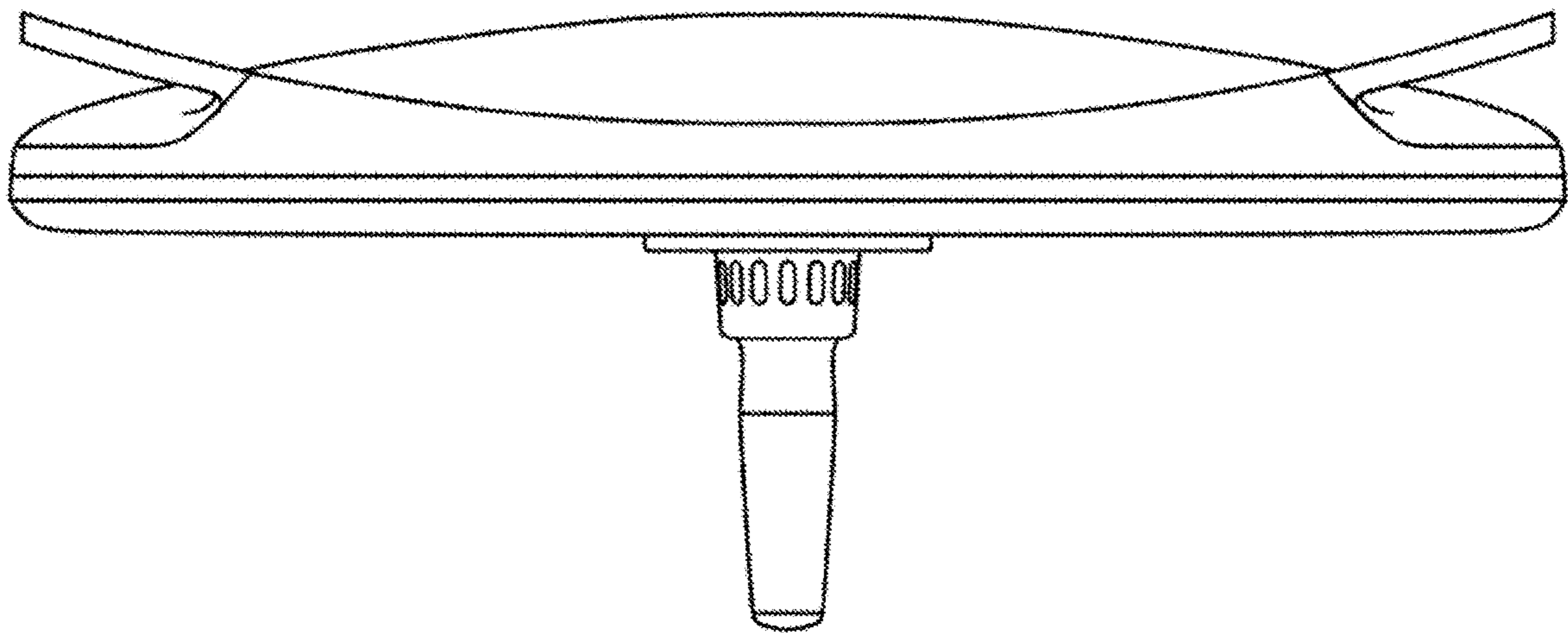


Fig. 17

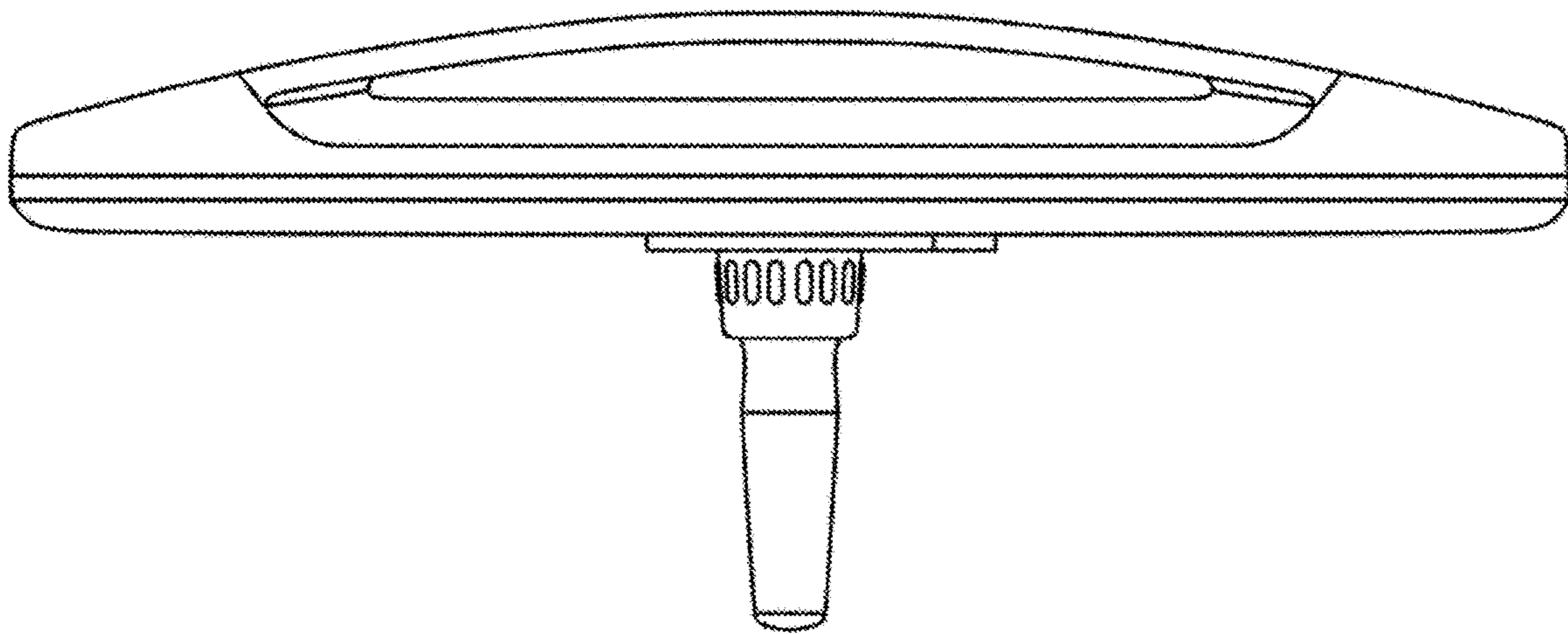


Fig. 18

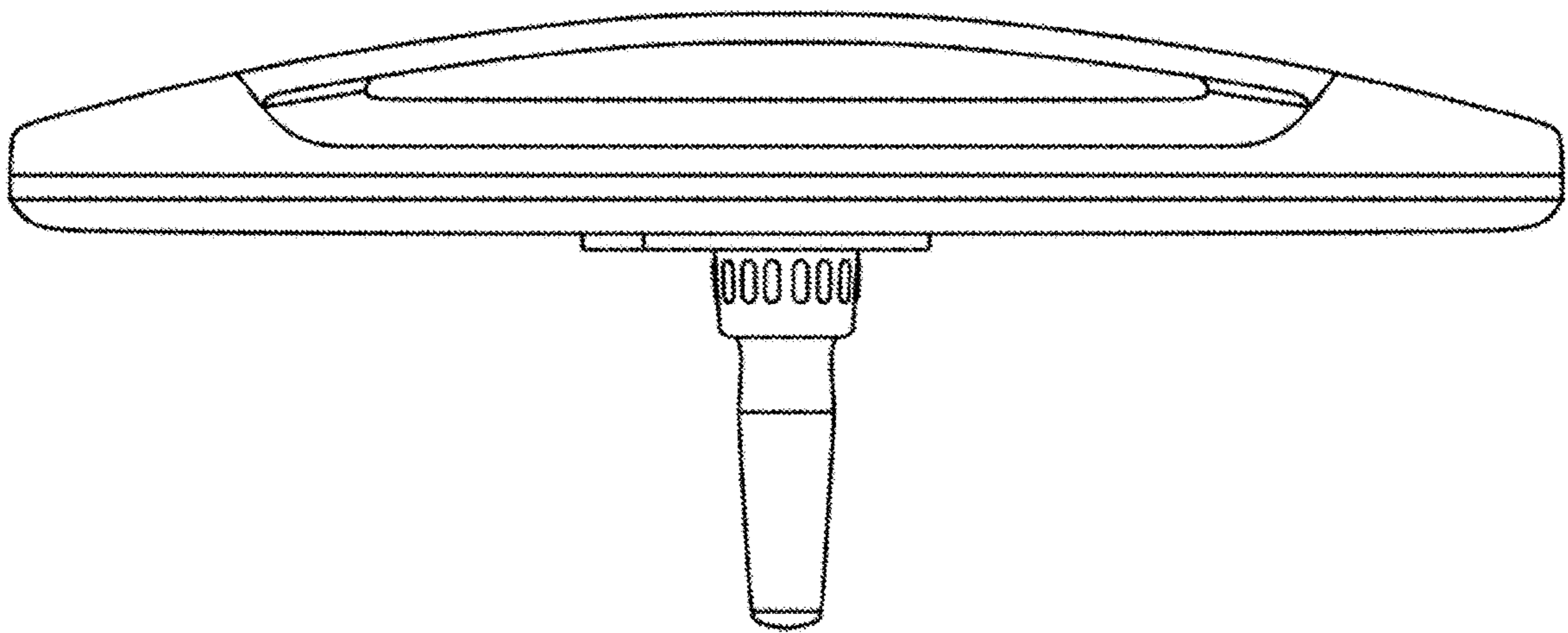


Fig. 19

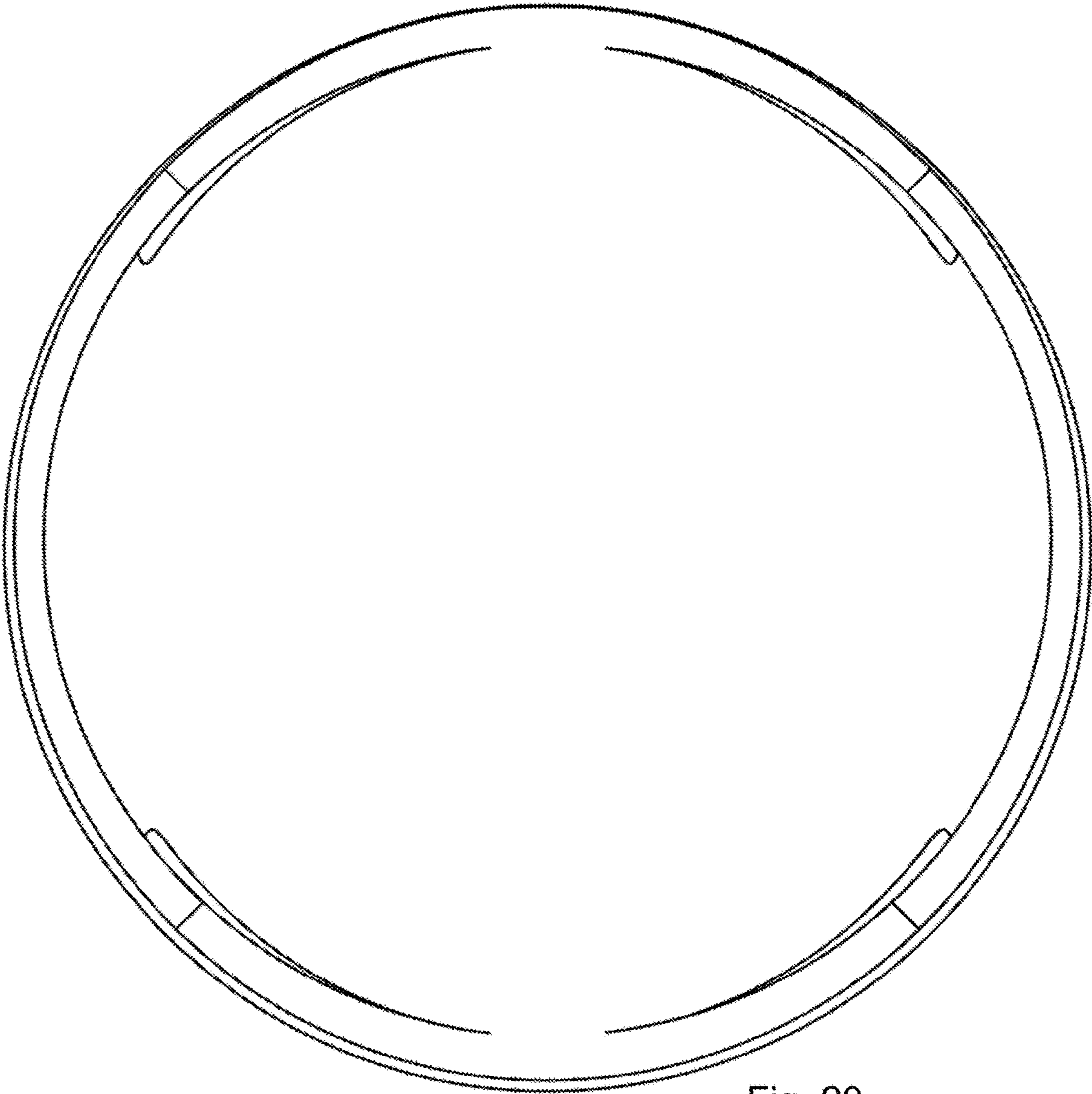


Fig. 20

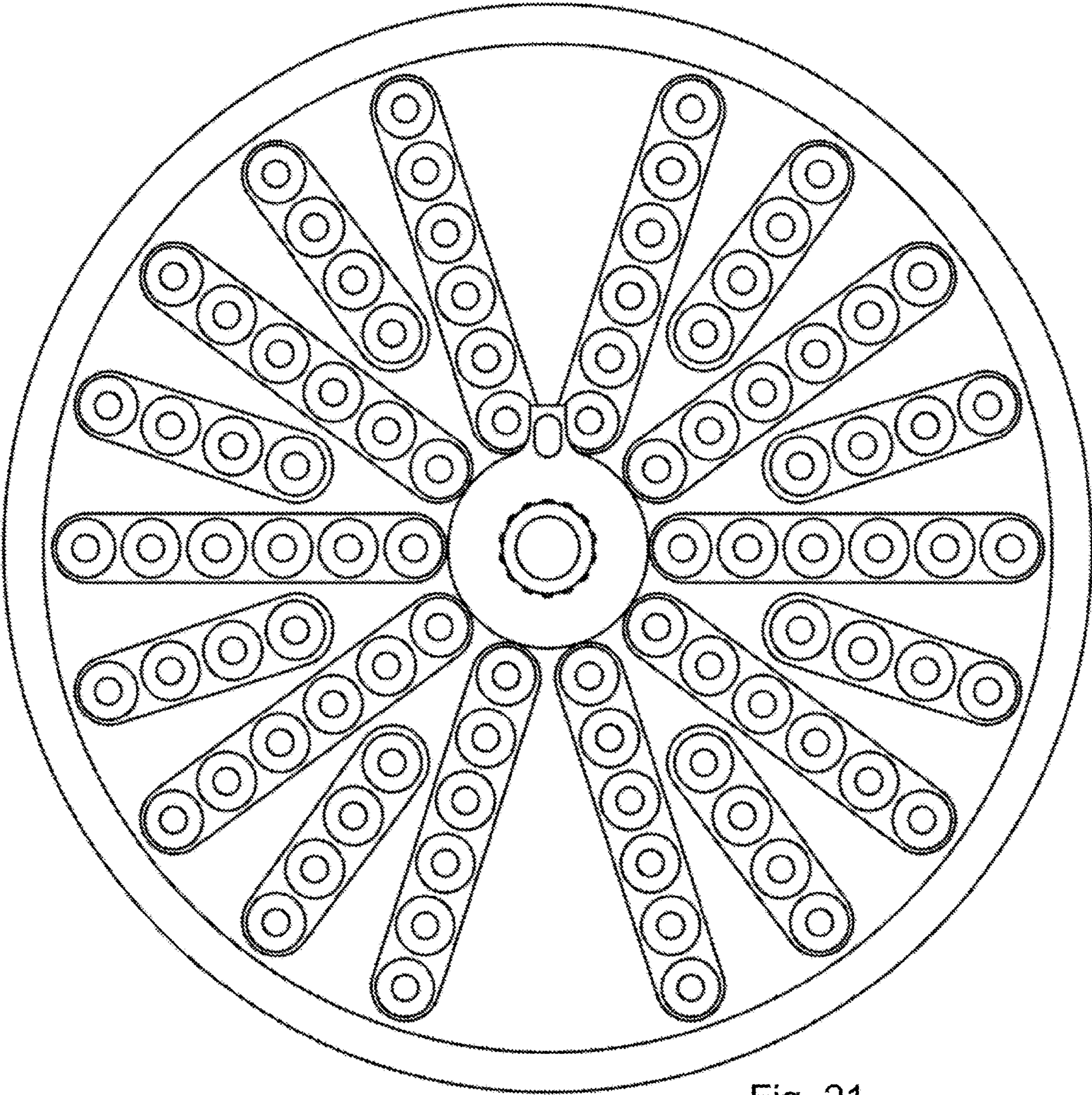


Fig. 21

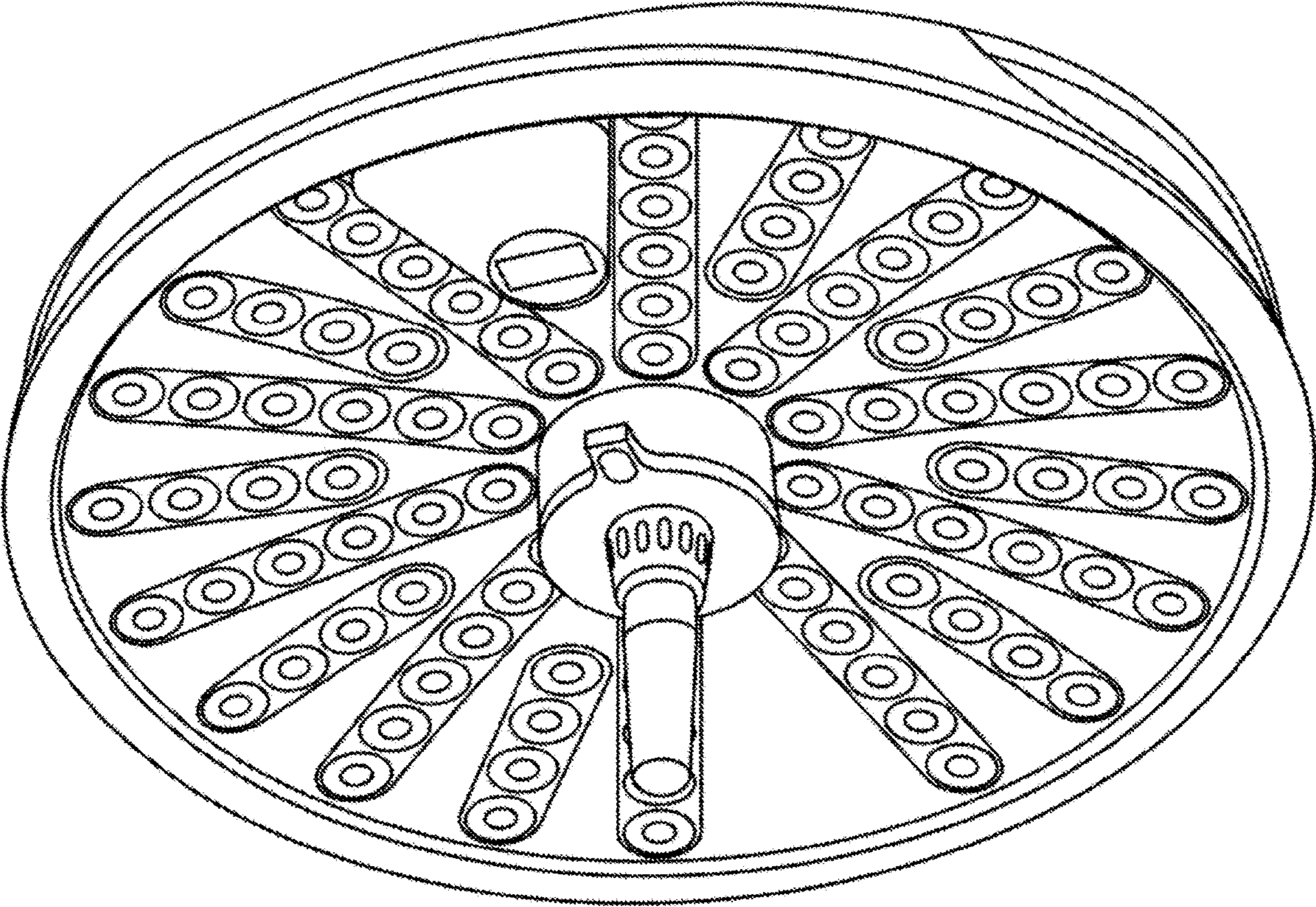


Fig. 22

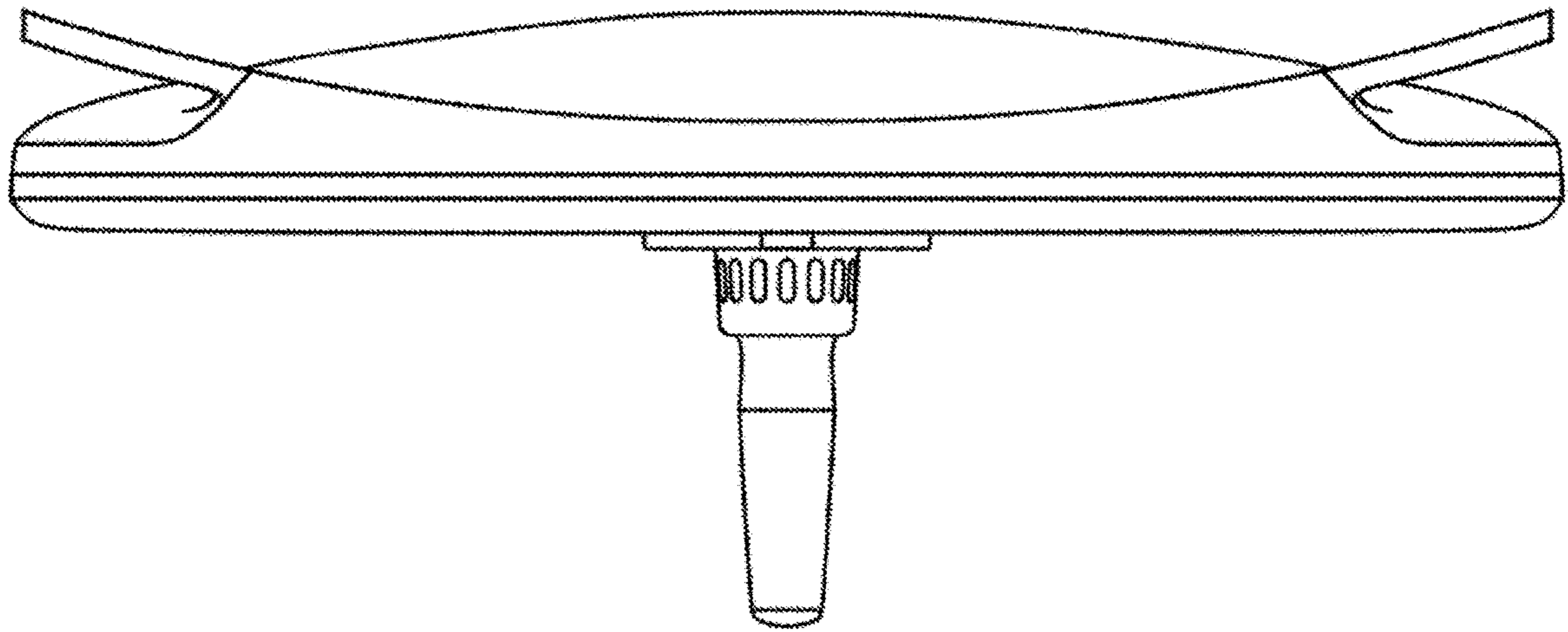


Fig. 23

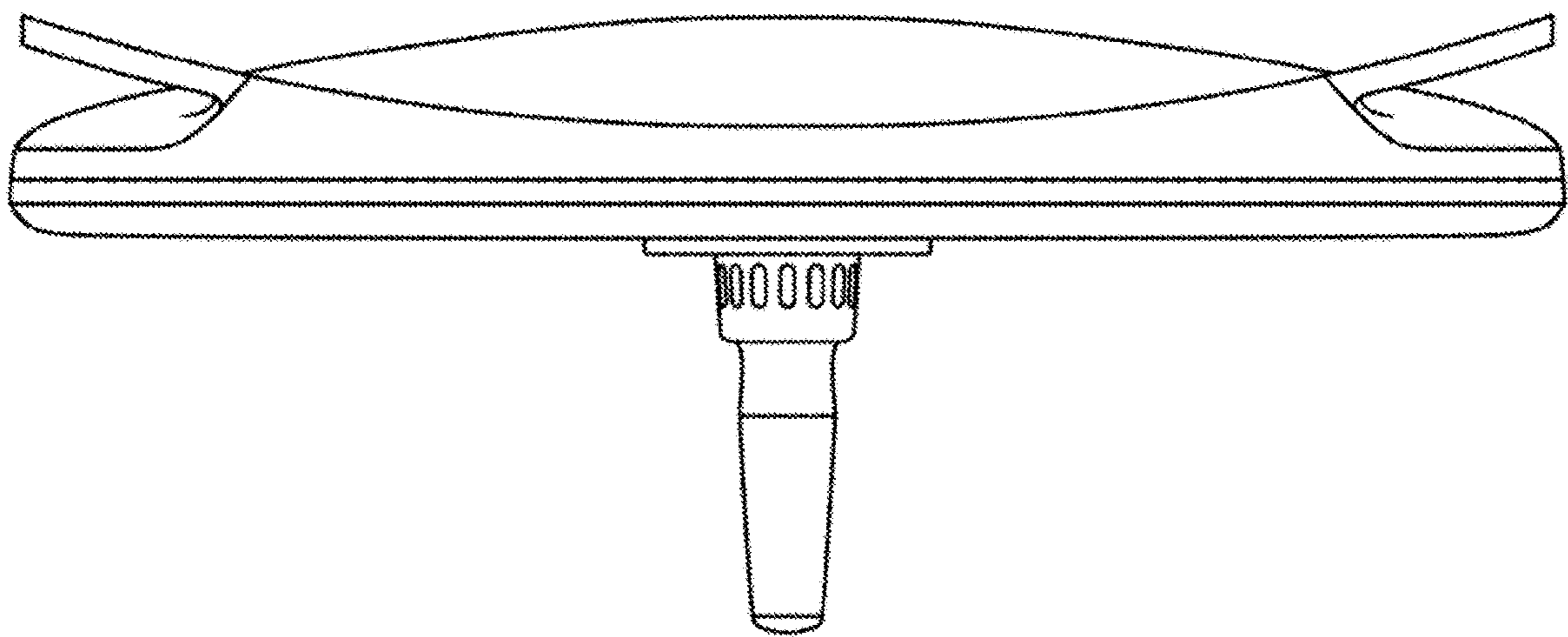


Fig. 24

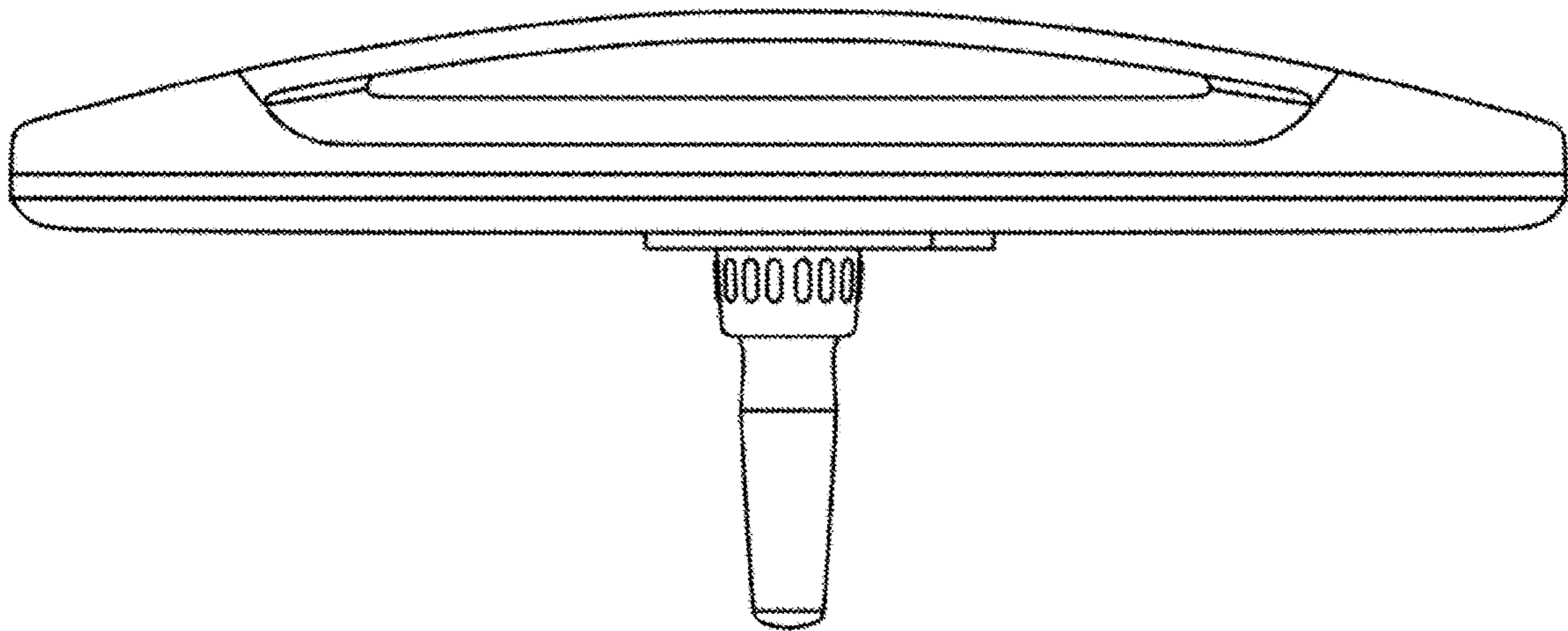


Fig. 25

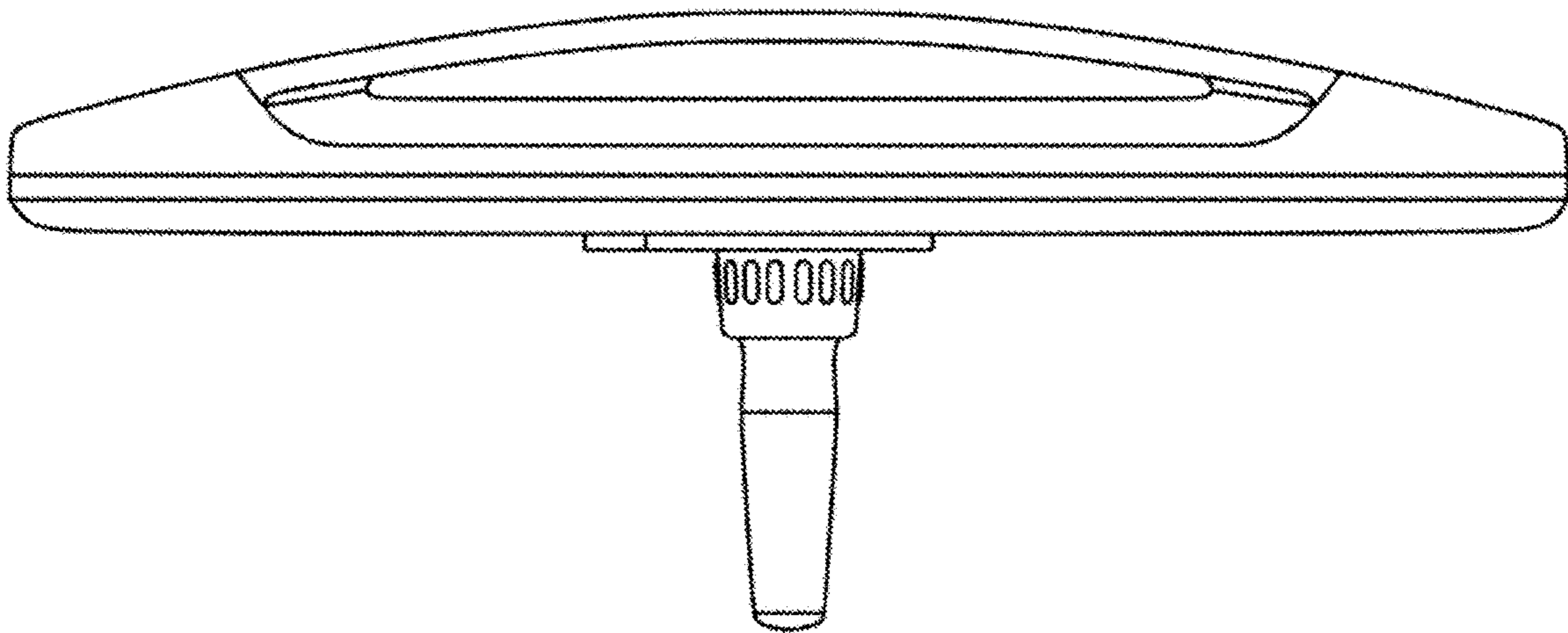


Fig. 26

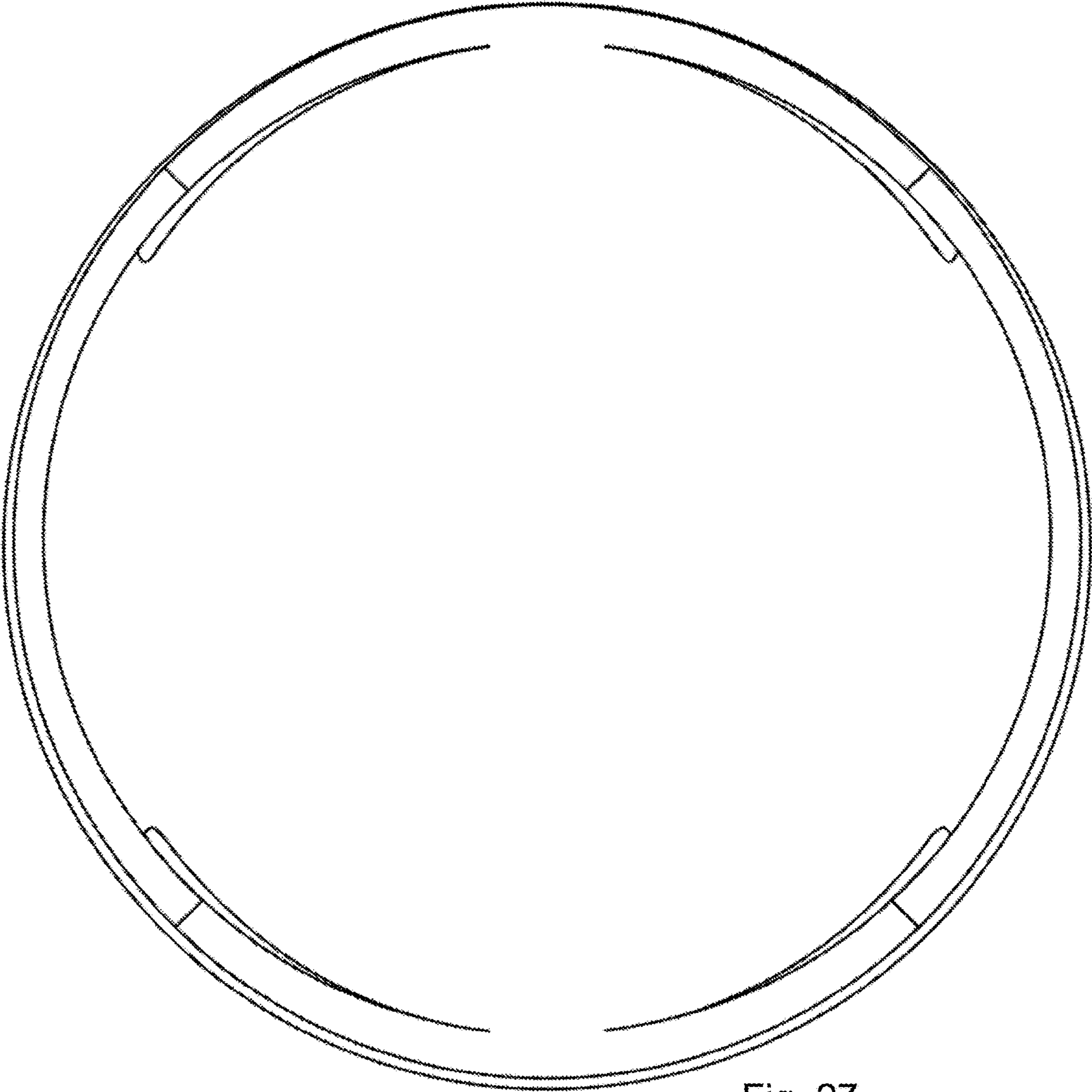


Fig. 27

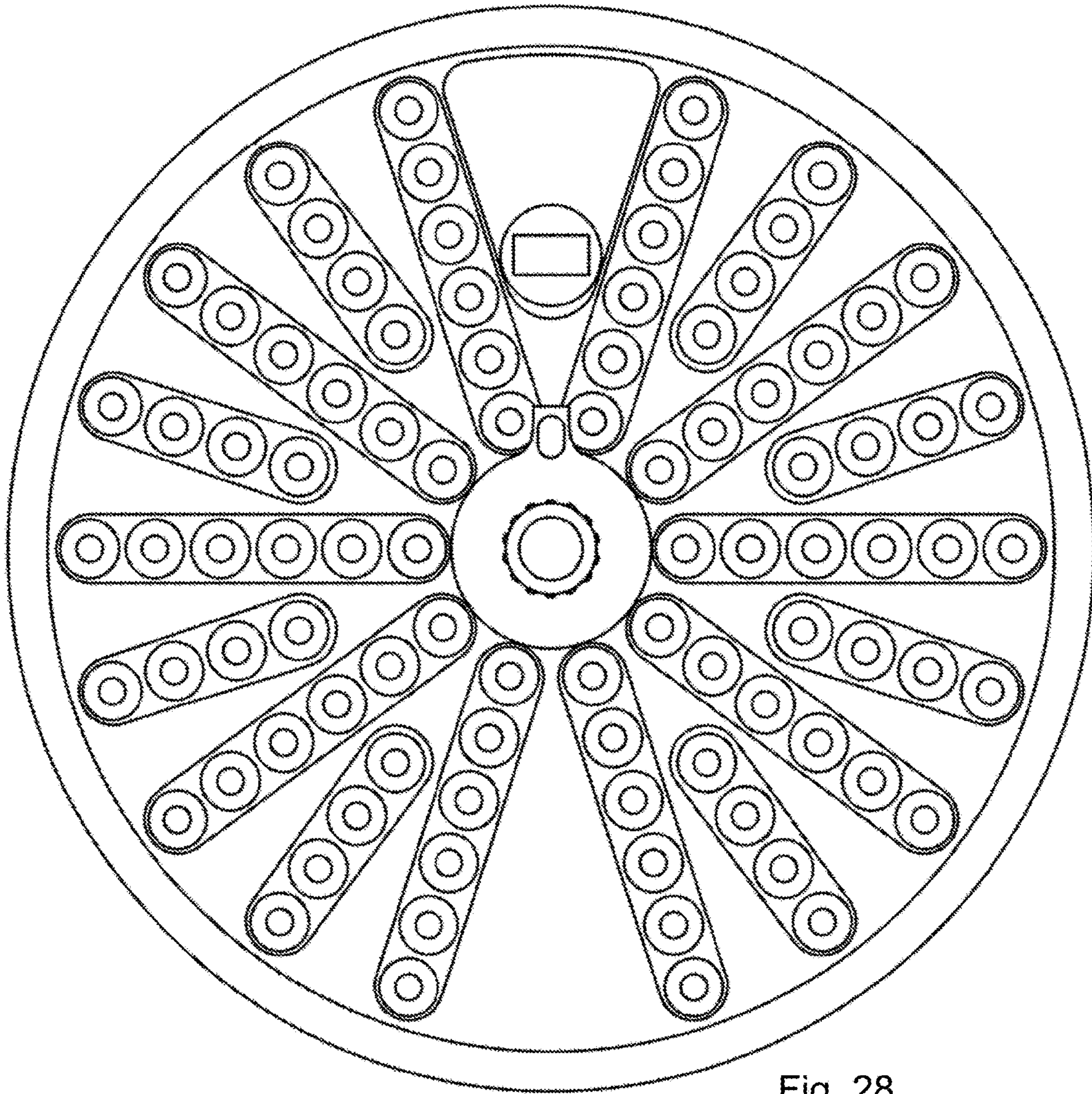


Fig. 28

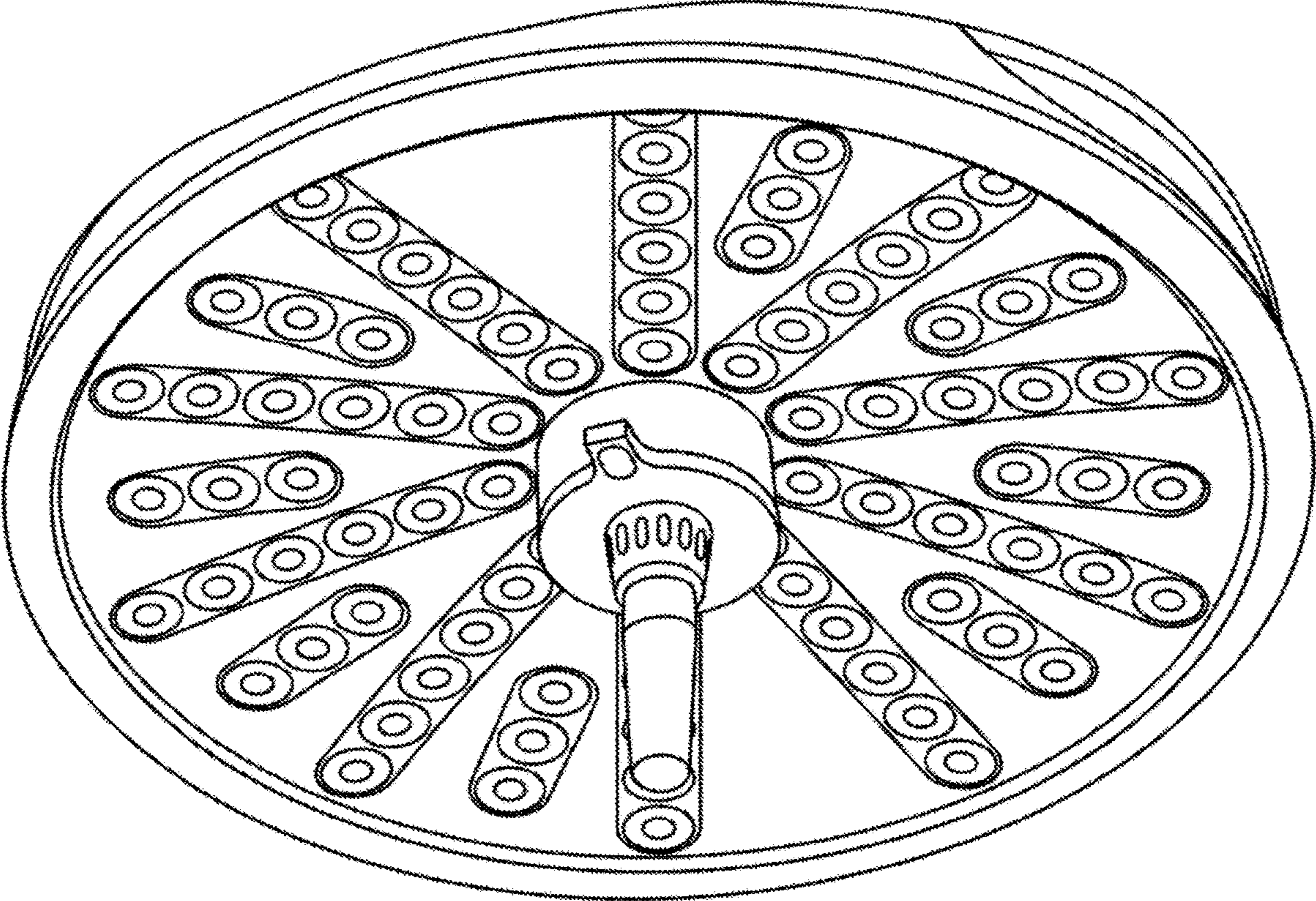


Fig. 29

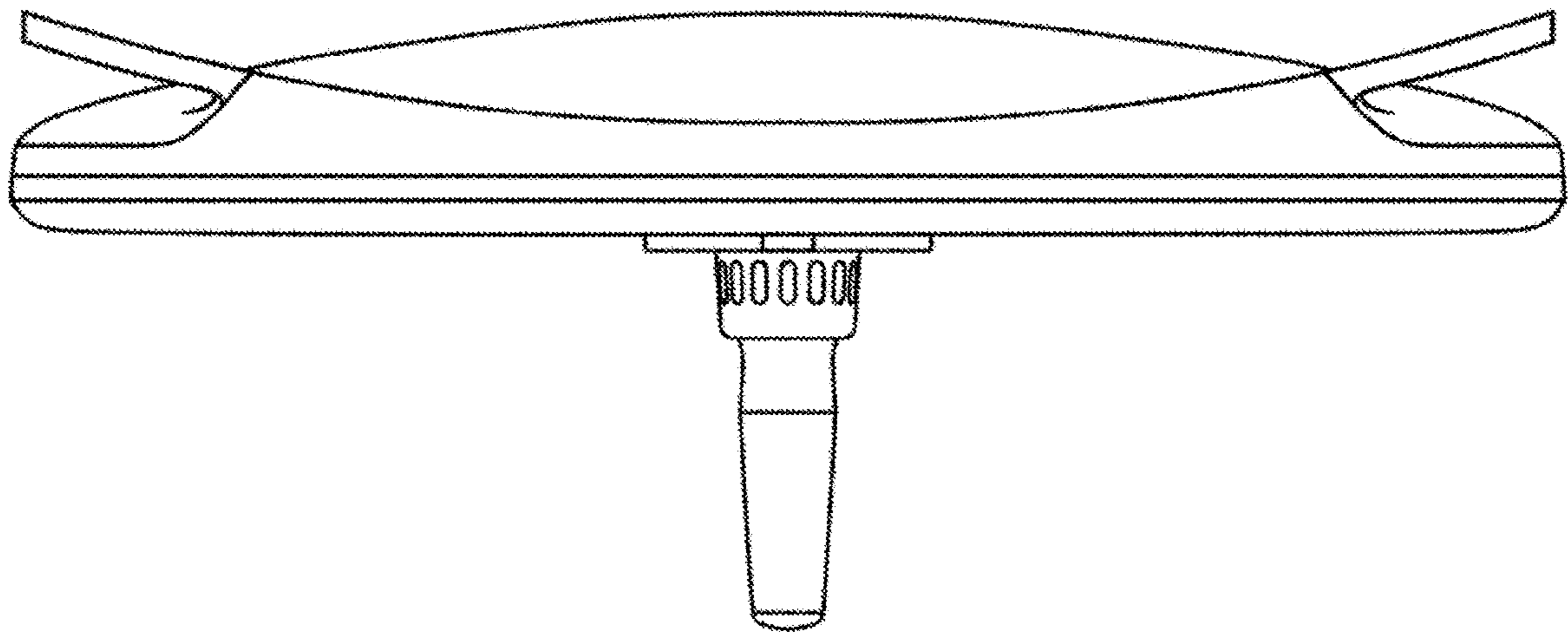


Fig. 30

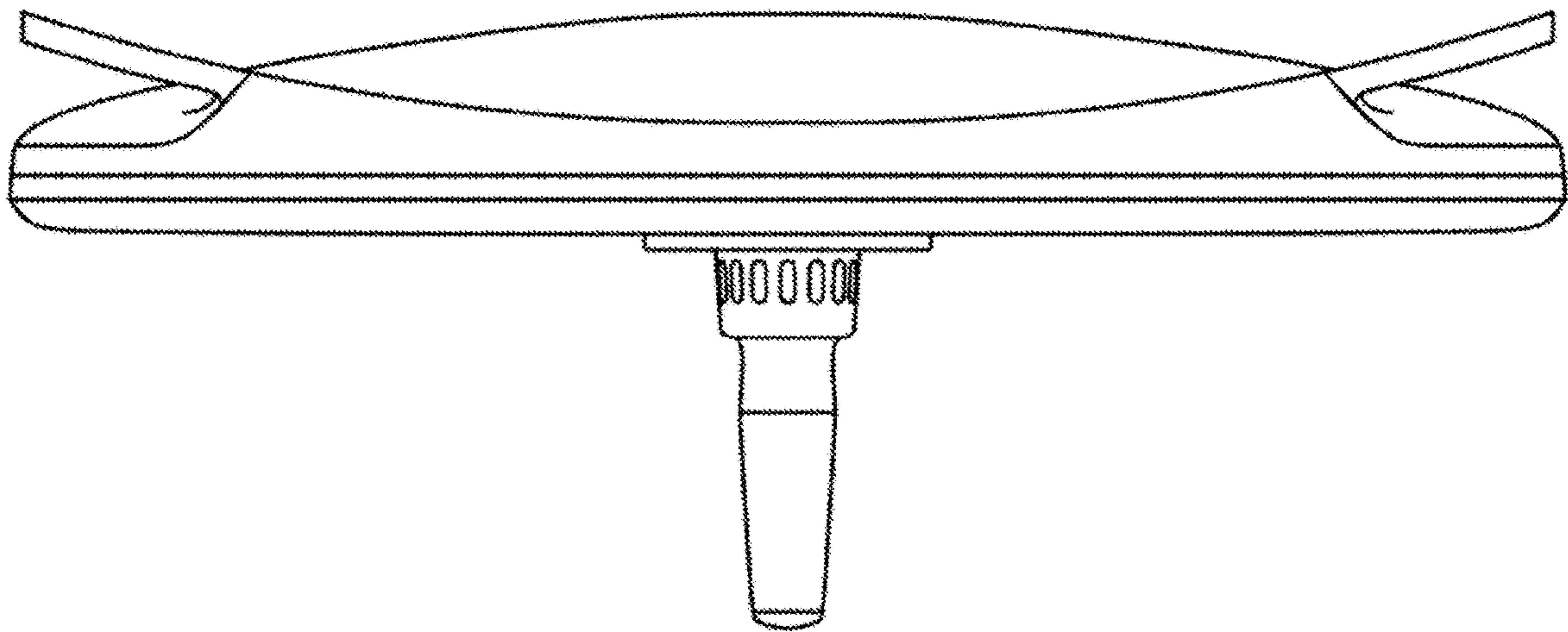


Fig. 31

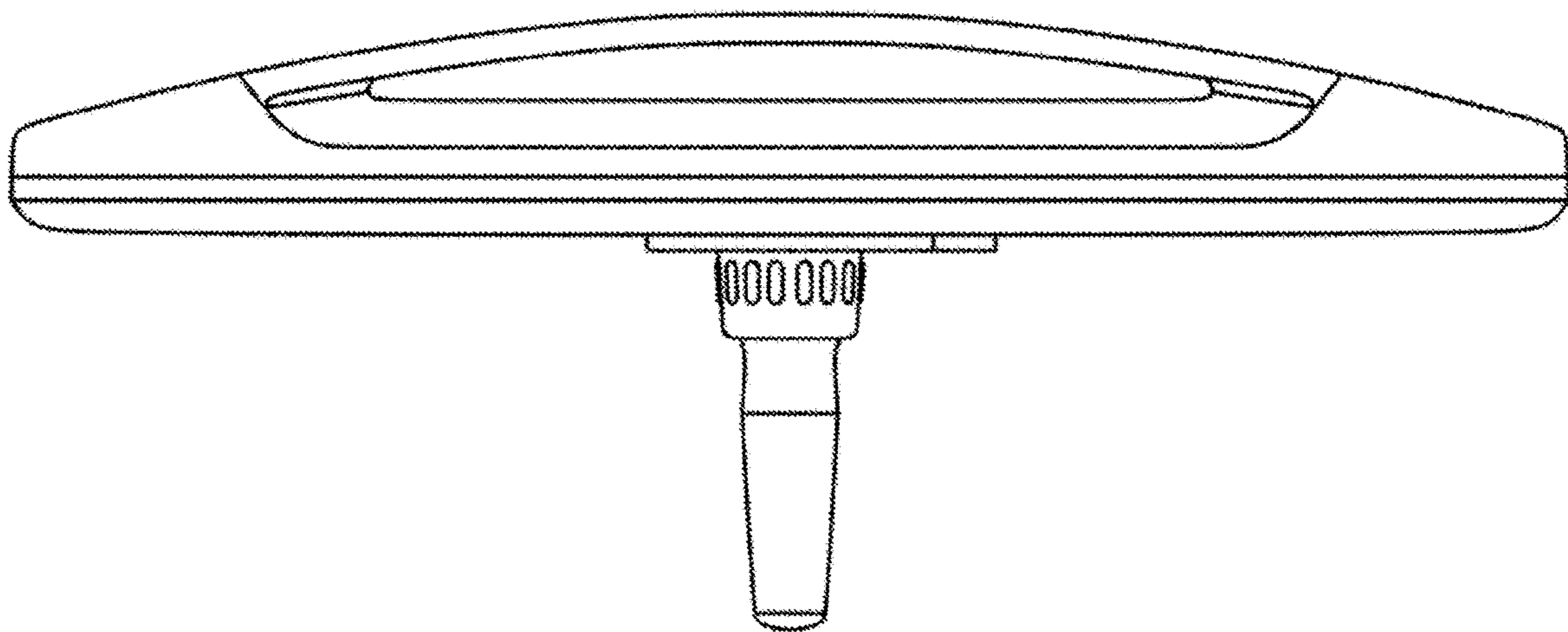


Fig. 32

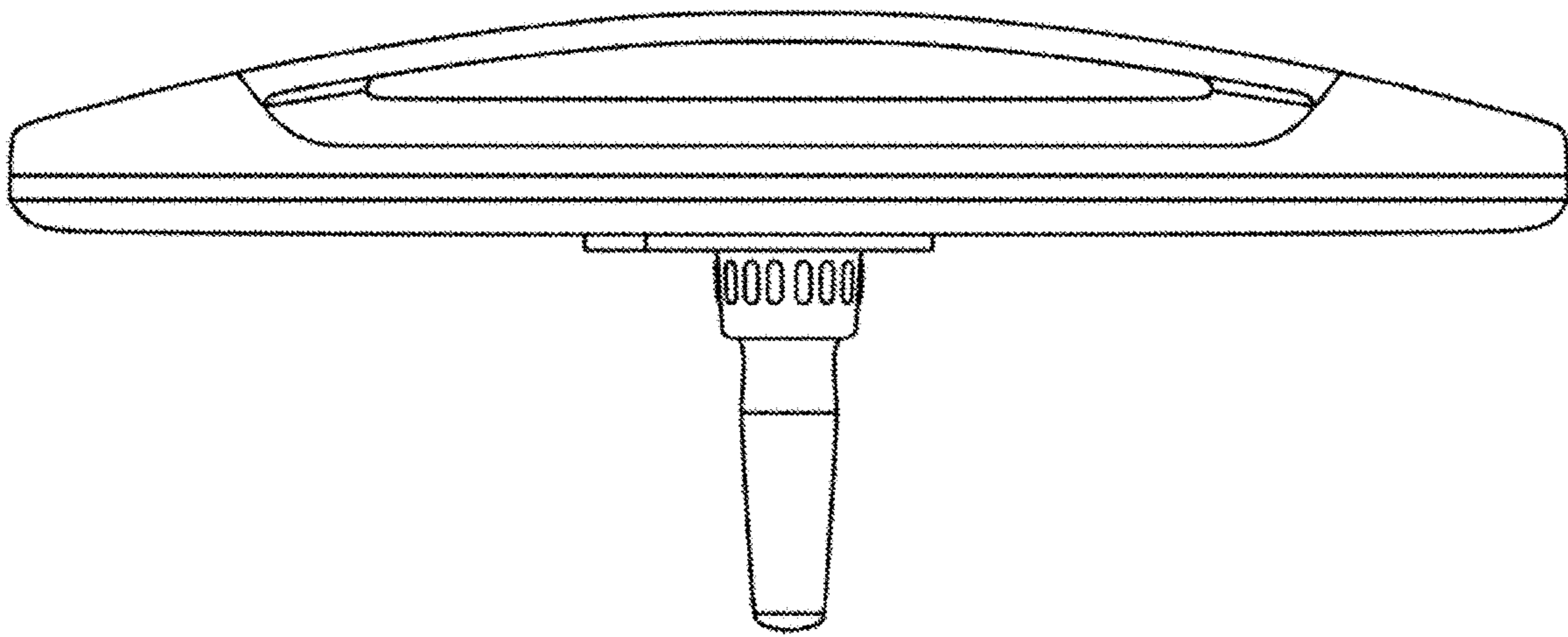


Fig. 33

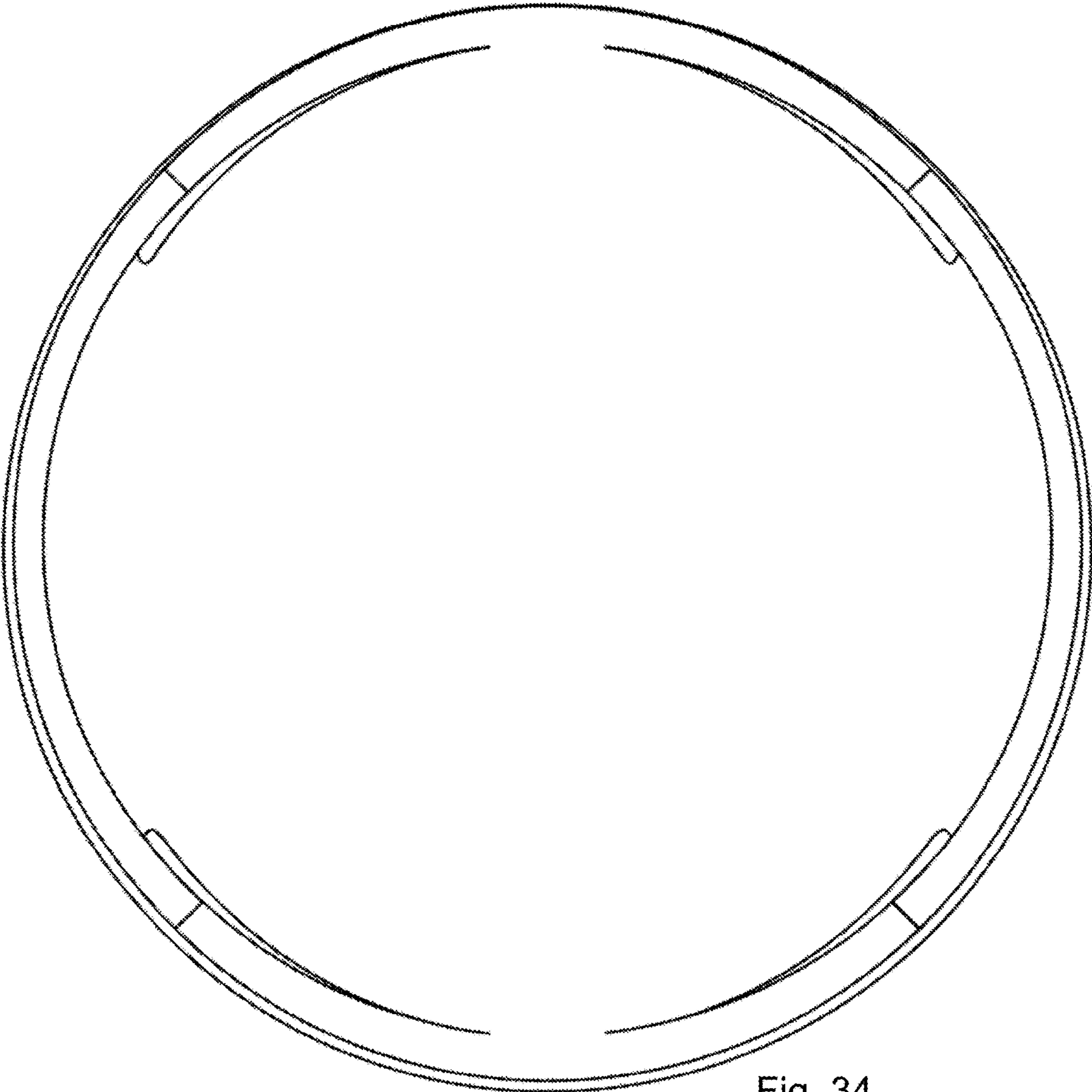


Fig. 34

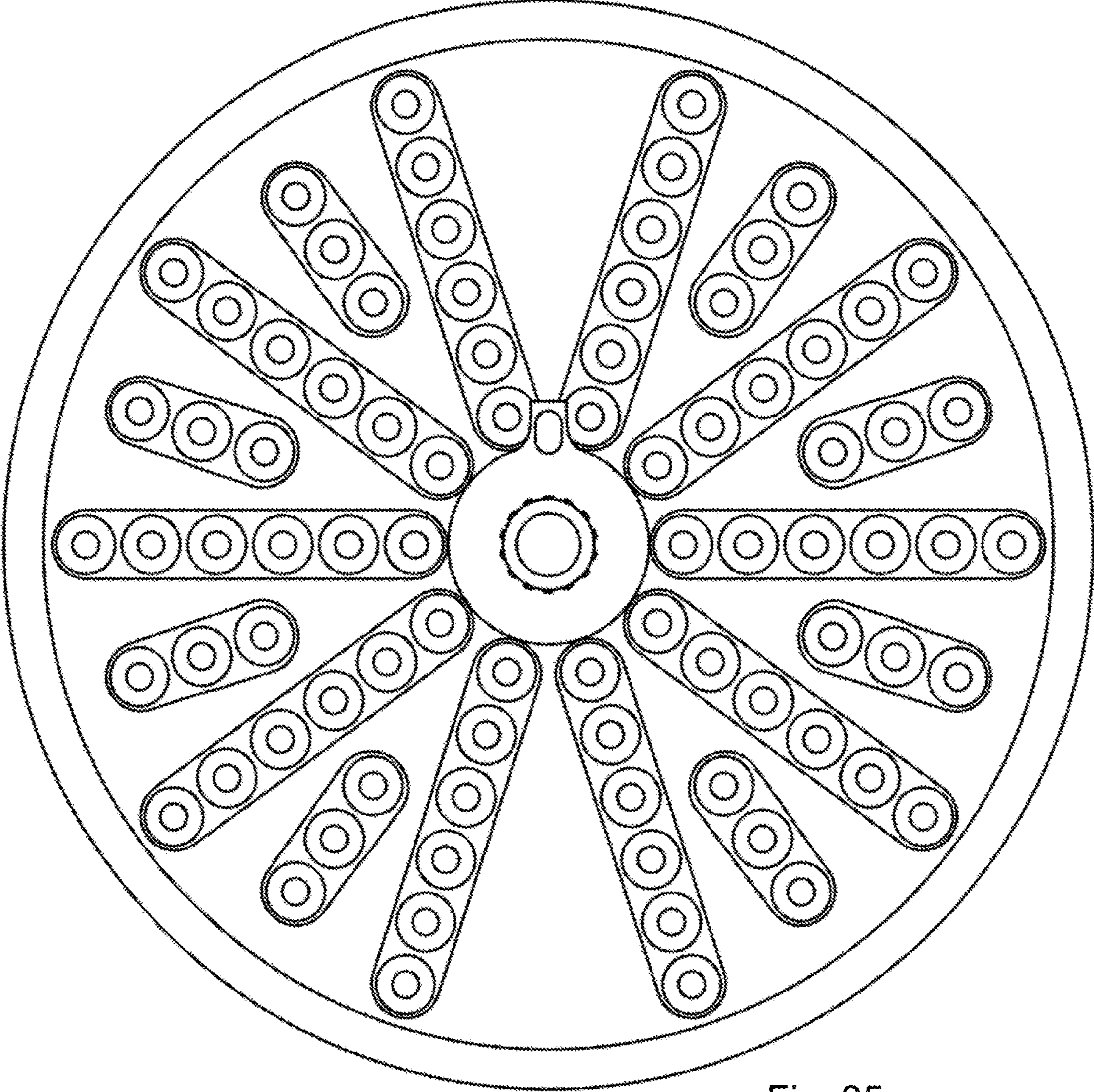


Fig. 35