

US00D840090S

(12) **United States Design Patent** (10) **Patent No.:** **US D840,090 S**
Sato (45) **Date of Patent:** **** Feb. 5, 2019**

(54) **TABLE LAMP**
(71) Applicant: **FLOS S.P.A.**, Bovezzo (IT)
(72) Inventor: **Oki Sato**, Brescia (IT)
(73) Assignee: **FLOS S.p.A>**, Bovezzo (IT)
(**) Term: **15 Years**

6,779,907 B2 * 8/2004 Beadle F21S 8/024
362/145
D548,875 S * 8/2007 Schieber D26/93
D674,533 S * 1/2013 Nalitchaev D26/104
8,950,909 B2 * 2/2015 Ramirez F21S 8/03
362/371
D790,111 S * 6/2017 August D26/107
D812,280 S * 3/2018 Lechtenberg D26/63
D821,628 S * 6/2018 Amato D26/87

* cited by examiner

(21) Appl. No.: **35/504,248**
(22) Filed: **Sep. 28, 2017**

Primary Examiner — Robert M. Spear

(80) **Hague Agreement Data**
Int. Filing Date: **Sep. 28, 2017**
Int. Reg. No.: **DM/099021**
Int. Reg. Date: **Sep. 28, 2017**
Int. Reg. Pub. Date: **Dec. 29, 2017**

(74) *Attorney, Agent, or Firm* — Thomas | Horstemeyer, LLP

(30) **Foreign Application Priority Data**

Mar. 31, 2017 (IT) 402017000035694

(51) **LOC (11) Cl.** **26-03**
(52) **U.S. Cl.**
USPC **D26/93**

(57) **CLAIM**

The ornamental design for a table lamp, as shown and described.

(58) **Field of Classification Search**
USPC D11/121, 124; D26/62, 93, 94, 104, 106,
D26/118, 125, 144
CPC F21S 8/00; F21S 8/036; F21S 8/04; F21S
8/08; F21S 2/00; F21S 6/002; F21S 6/007
See application file for complete search history.

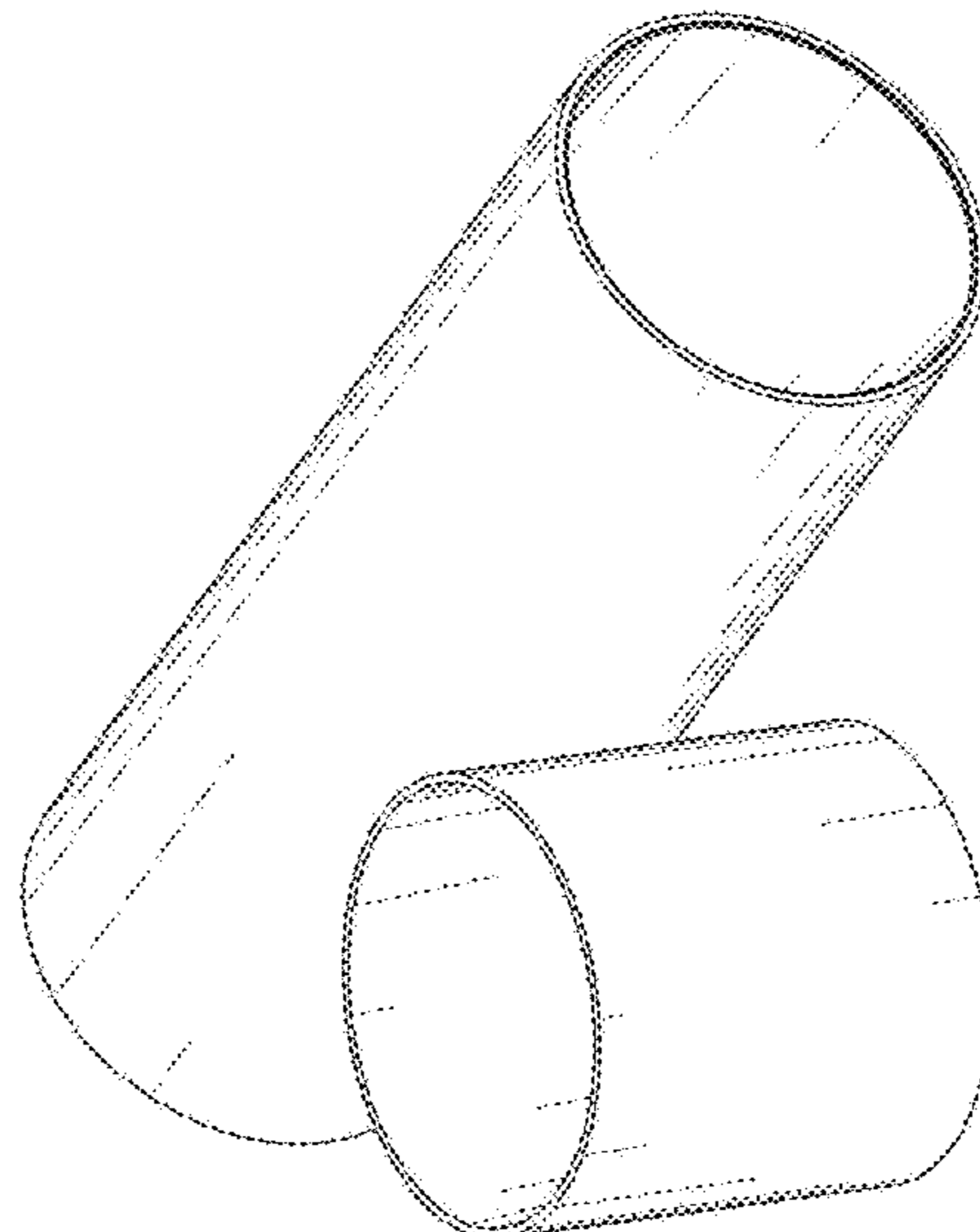
DESCRIPTION

(56) **References Cited**
U.S. PATENT DOCUMENTS

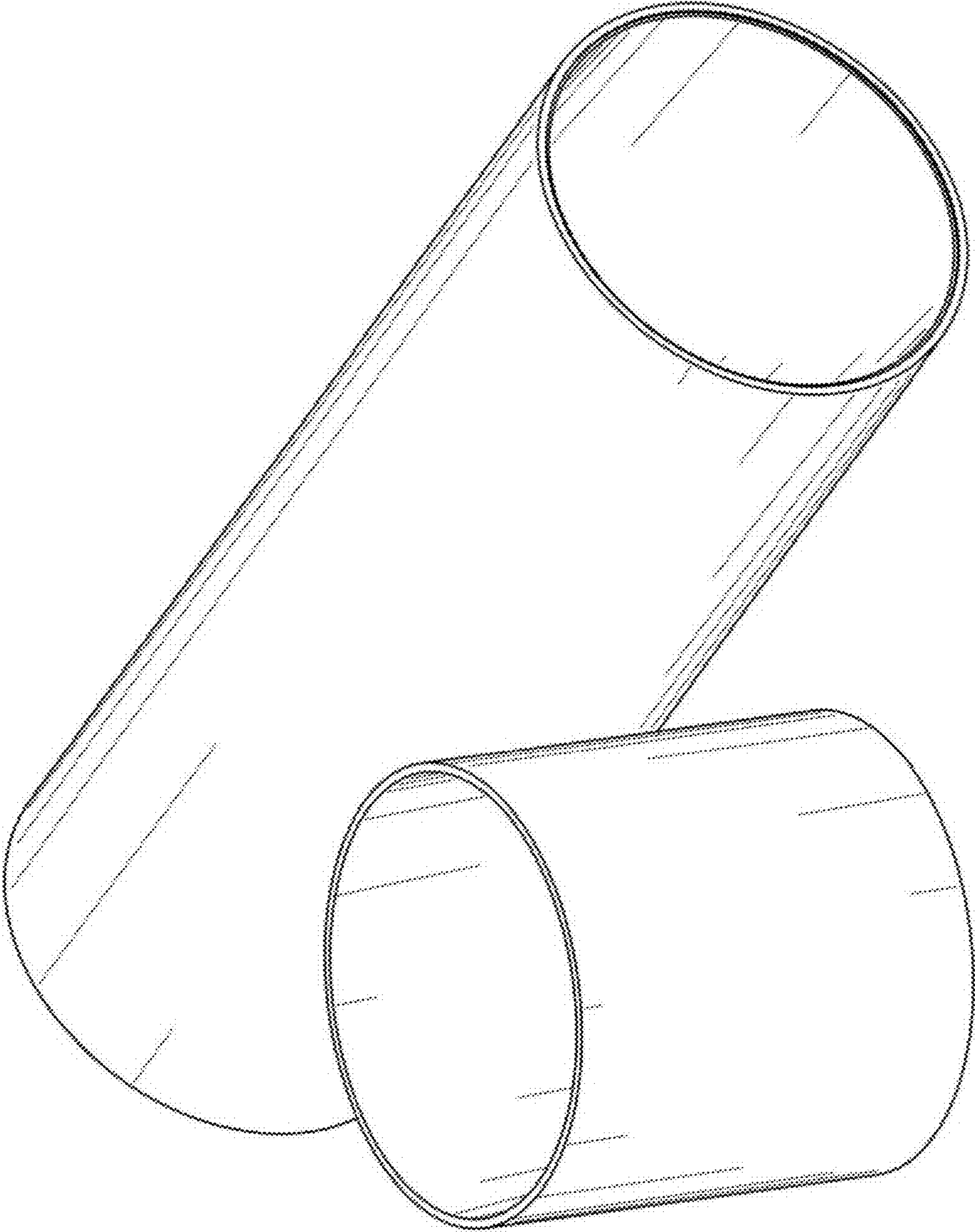
D221,681 S * 8/1971 Chastain et al. D26/104
D231,559 S * 4/1974 Darling et al. D26/63
5,713,662 A * 2/1998 Kira F21V 21/28
362/269

- 1. Table lamp
- 1.1—Front left perspective view;
- 1.2—Left side elevational view thereof;
- 1.3—Right side elevational view thereof;
- 1.4—Front elevational view thereof;
- 1.5—Rear elevational view thereof;
- 1.6—Bottom plan view thereof;
- 1.7—Top plan view thereof.

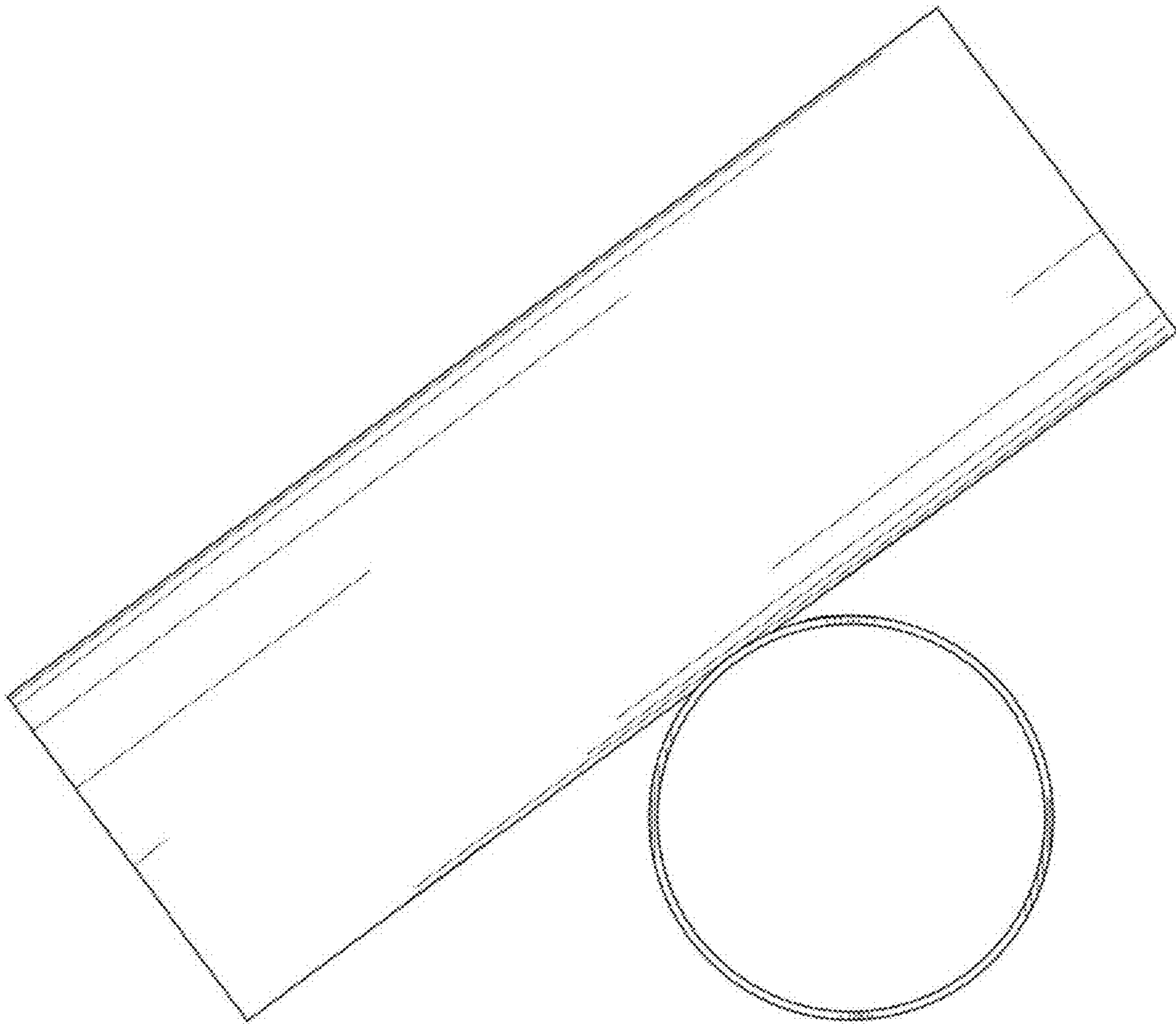
1 Claim, 7 Drawing Sheets



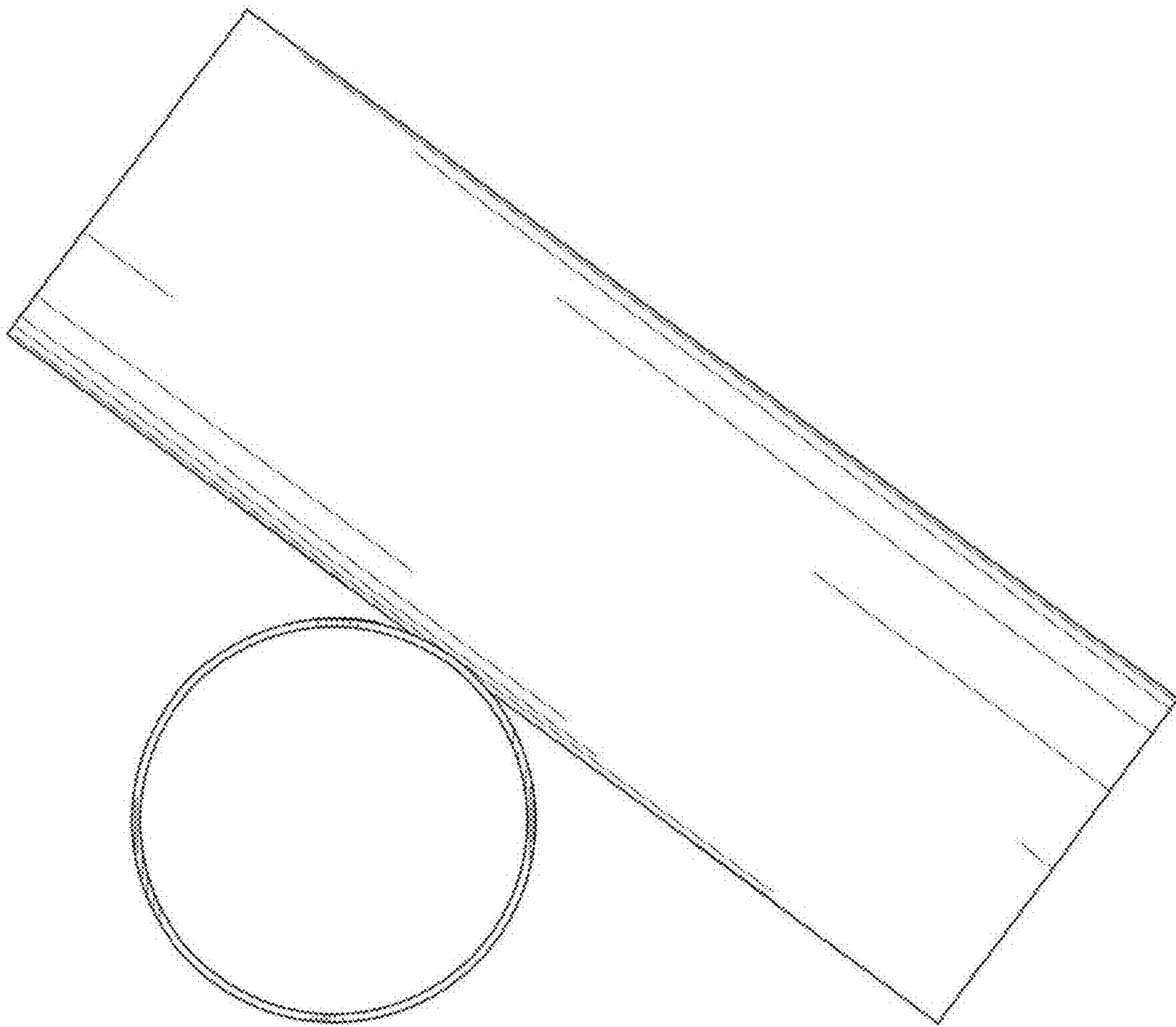
1.1



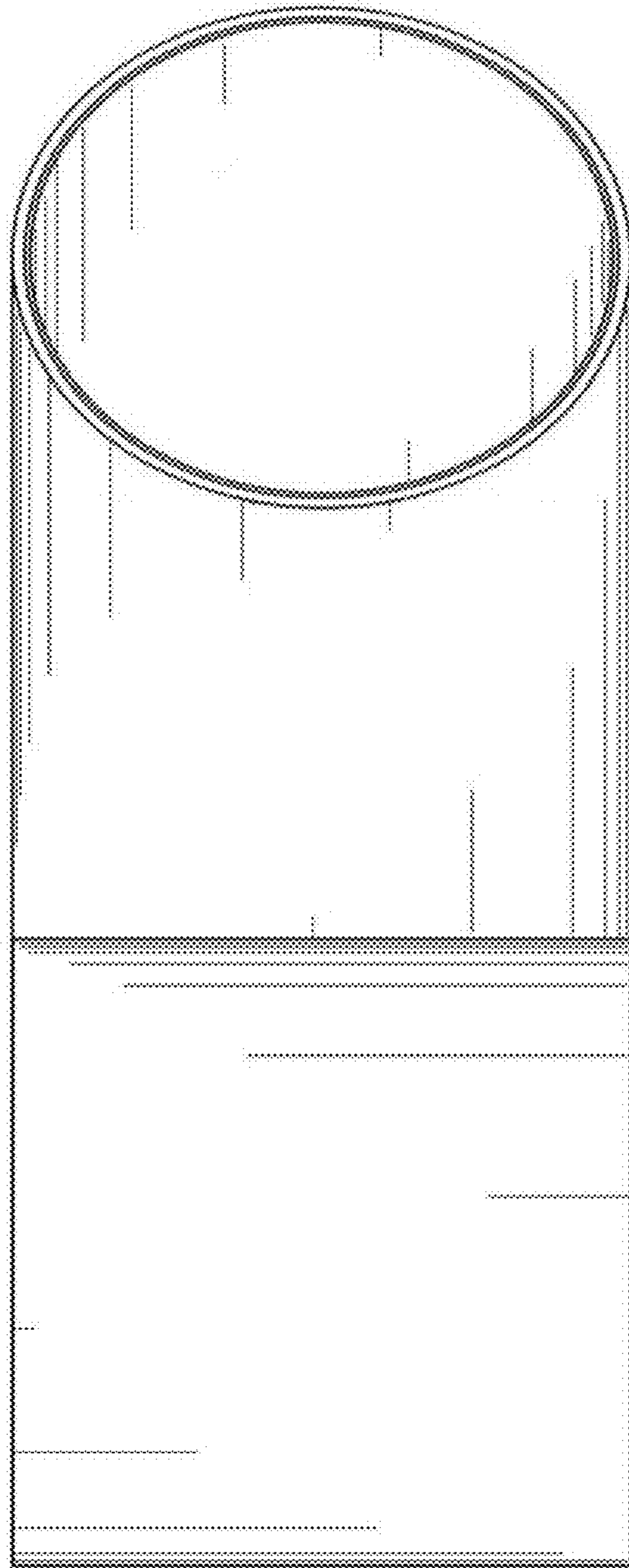
1.2



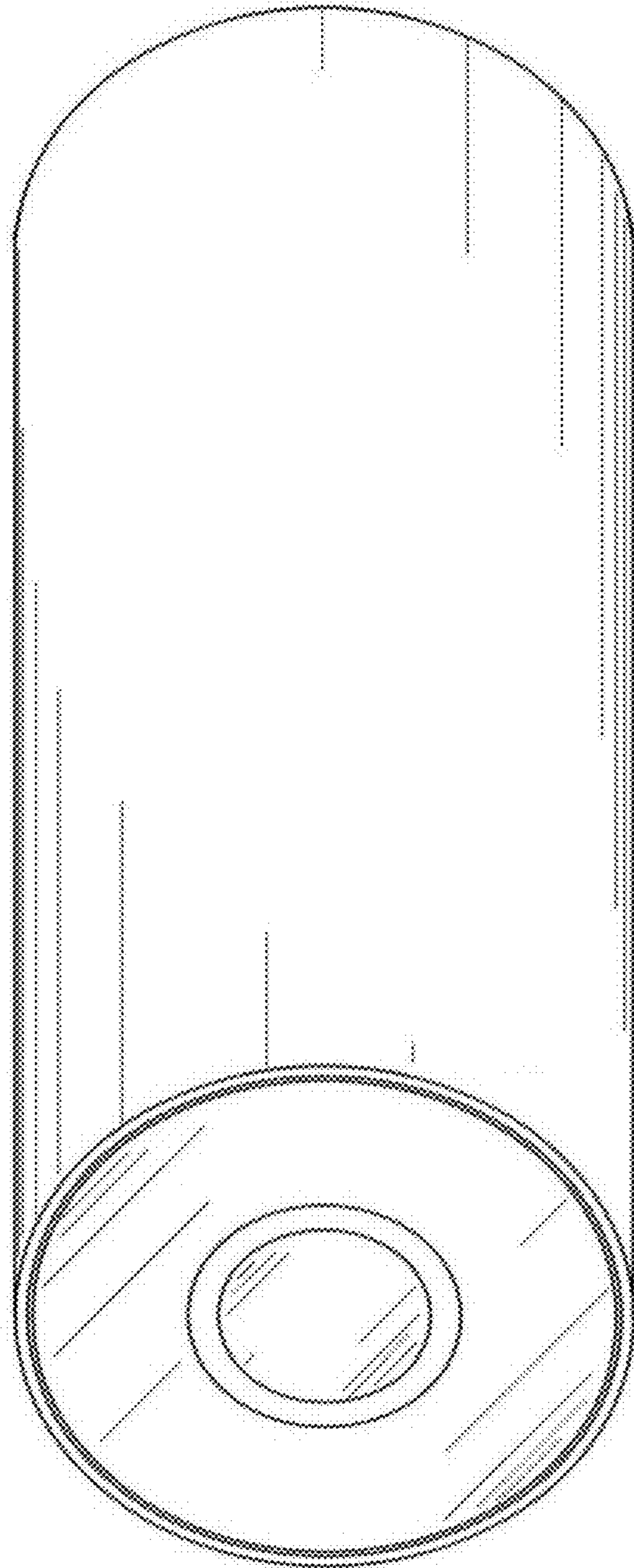
1.3



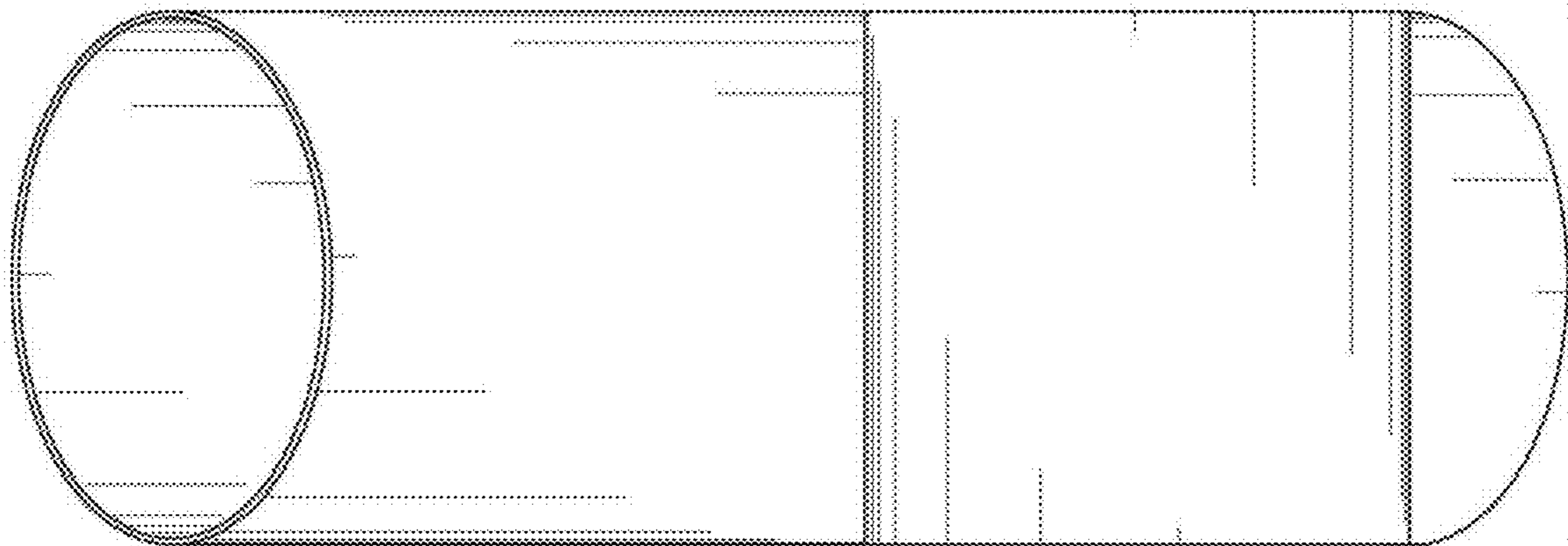
1.4



1.5



1.6



1.7

