



US00D840087S

(12) **United States Design Patent**
Zeng et al.

(10) **Patent No.:** **US D840,087 S**

(45) **Date of Patent:** **** Feb. 5, 2019**

(54) **LED LAMP STRIP**

(71) Applicant: **Dongguan Pan American Electronics Co., Ltd**, DongGuan, GuangDong (CN)

(72) Inventors: **Xiaoyun Zeng**, DongGuan (CN);
Jinsheng Deng, DongGuan (CN);
Shilin Tang, DongGuan (CN)

(73) Assignee: **DONGGUAN PAN AMERICAN ELECTRONICS CO., LTD**, Dongguan (CN)

(**) Term: **15 Years**

(21) Appl. No.: **29/595,469**

(22) Filed: **Feb. 28, 2017**

(30) **Foreign Application Priority Data**

Aug. 30, 2016 (CN) 2016 3 0448836

(51) **LOC (11) Cl.** **26-04**

(52) **U.S. Cl.**
USPC **D26/76**

(58) **Field of Classification Search**
USPC ... D26/3, 37, 67, 71, 72, 75, 78, 79, 80, 81,
D26/82, 83, 85, 86, 88, 90, 113, 118
CPC F21S 8/06; F21S 8/031; F21S 4/00; F21Y
2101/00
See application file for complete search history.

(56) **References Cited**

U.S. PATENT DOCUMENTS

D448,500 S * 9/2001 Choi D26/3
D465,292 S * 11/2002 Ko D26/3
D520,667 S * 5/2006 Jae-Sung D26/25
D549,382 S * 8/2007 Lee D26/75

D636,504 S * 4/2011 Duster D26/3
D695,942 S * 12/2013 Ng D26/75
D709,636 S * 7/2014 Murata D26/72
D750,308 S * 2/2016 Rodgers D26/76
D760,417 S * 6/2016 Benensohn D26/76
D794,240 S * 8/2017 Hartman D26/76
D796,721 S * 9/2017 Boorom D26/72
D800,359 S * 10/2017 Jiang D26/3
2014/0218908 A1 * 8/2014 Kawashima H01L 25/0753
362/223
2015/0354795 A1 * 12/2015 Ladstaetter F21S 2/00
362/217.05
2016/0123553 A1 * 5/2016 Haenen F21V 5/02
362/223
2016/0305618 A1 * 10/2016 Miller F21V 5/00

* cited by examiner

Primary Examiner — John Windmuller

Assistant Examiner — Benjamin M Weeks

(74) *Attorney, Agent, or Firm* — Ladas & Parry LLP

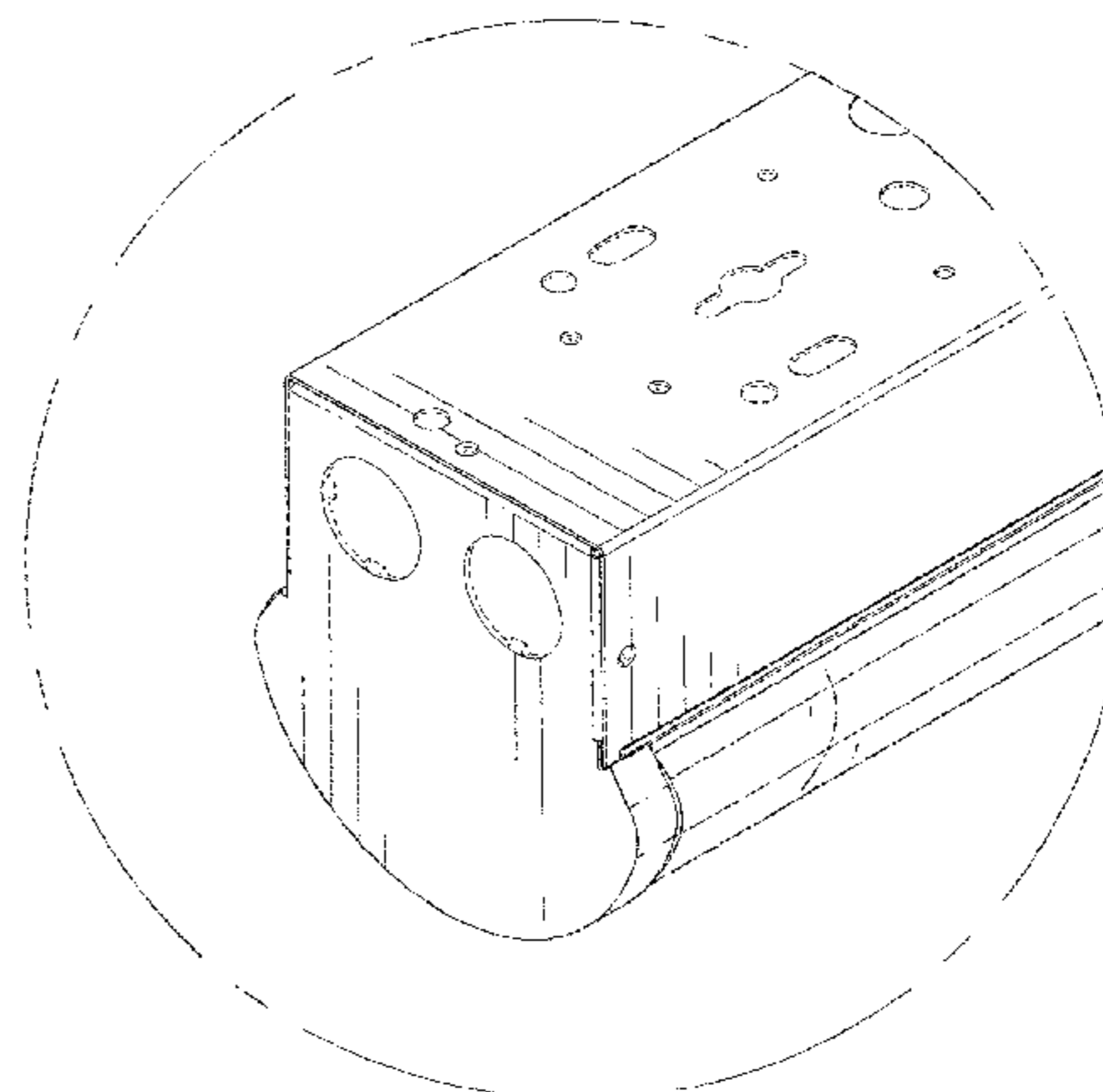
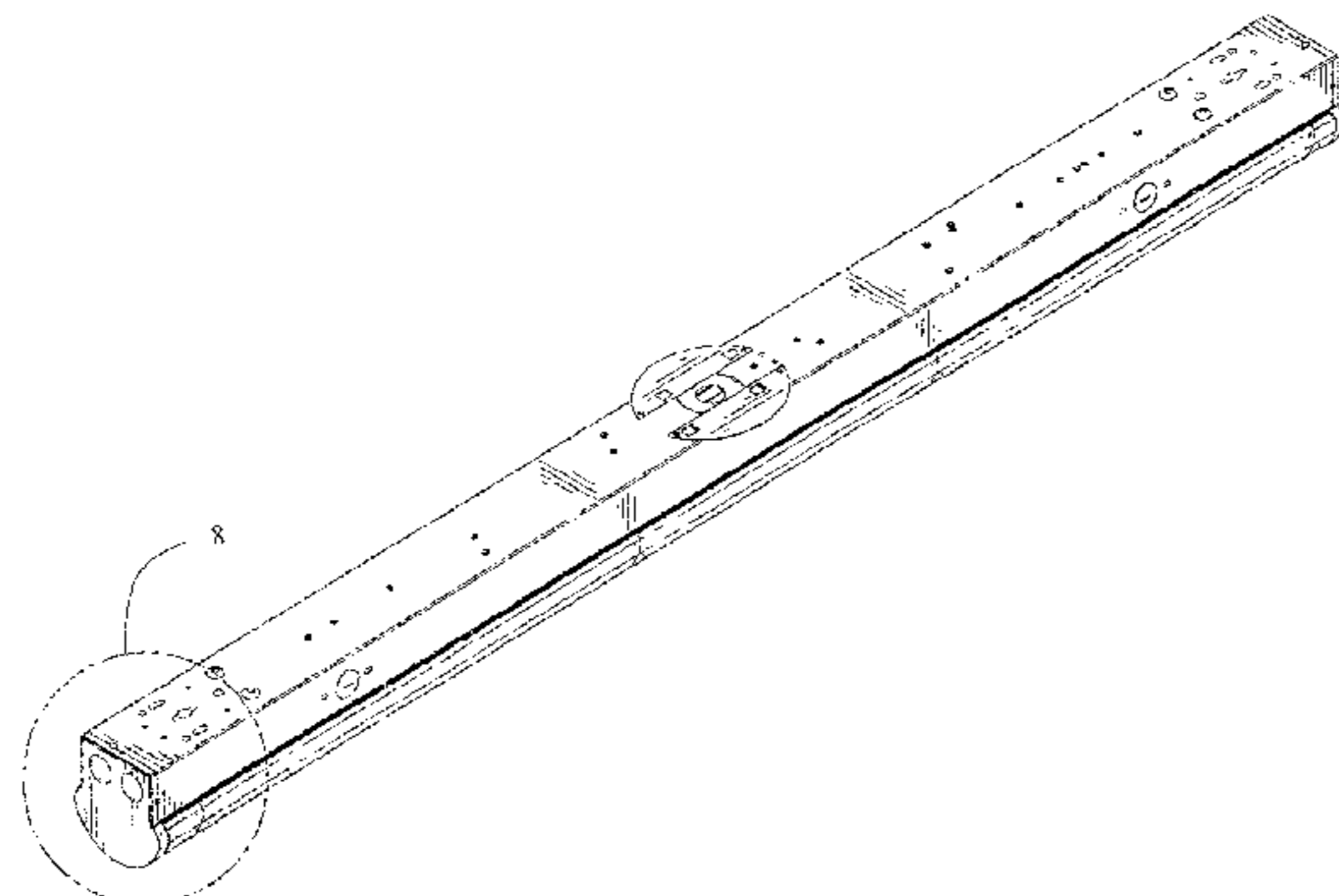
(57) **CLAIM**

The ornamental design for an LED lamp strip, as shown and described.

DESCRIPTION

FIG. 1 is a front elevational view of an LED lamp strip showing my new design;
FIG. 2 is a rear elevational view thereof;
FIG. 3 is a left-side elevational view thereof;
FIG. 4 is a right-side elevational view thereof;
FIG. 5 is an enlarged, top plan view thereof;
FIG. 6 is an enlarged, bottom plan view thereof;
FIG. 7 is a perspective view thereof; and,
FIG. 8 is an enlarged view of 8 of FIG. 7.
The broken lines depict portions of the LED lamp strip that form no part of the claimed design.

1 Claim, 8 Drawing Sheets



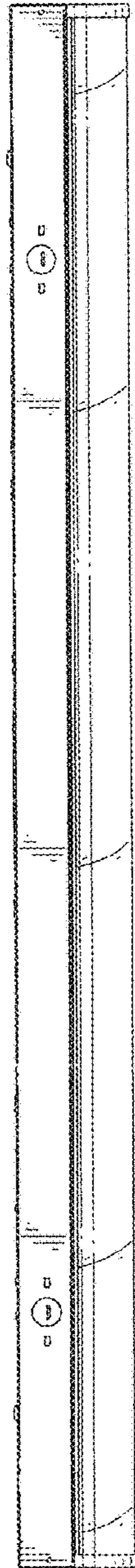


FIG. 1

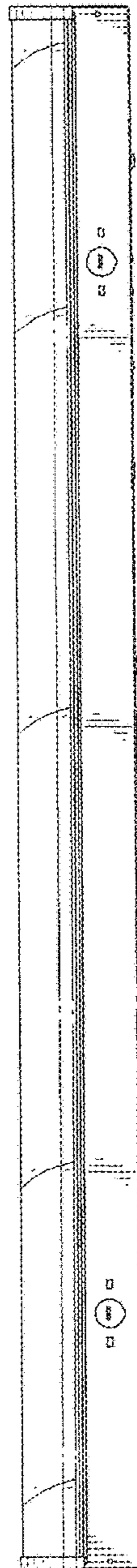


FIG. 2

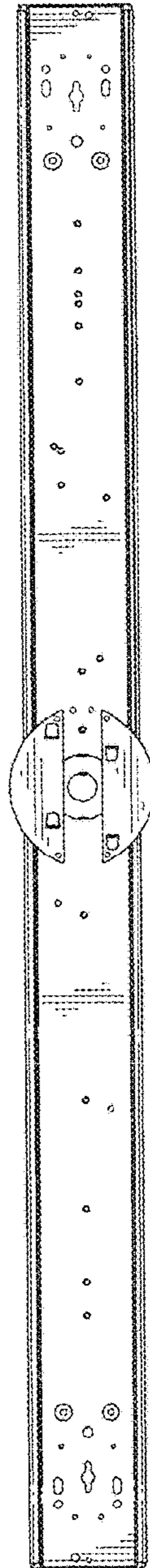


FIG. 3

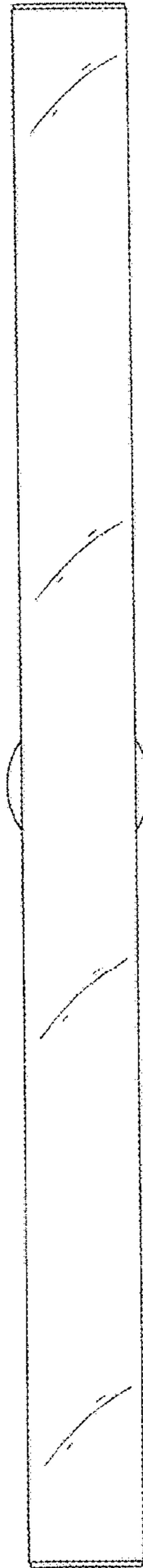


FIG. 4

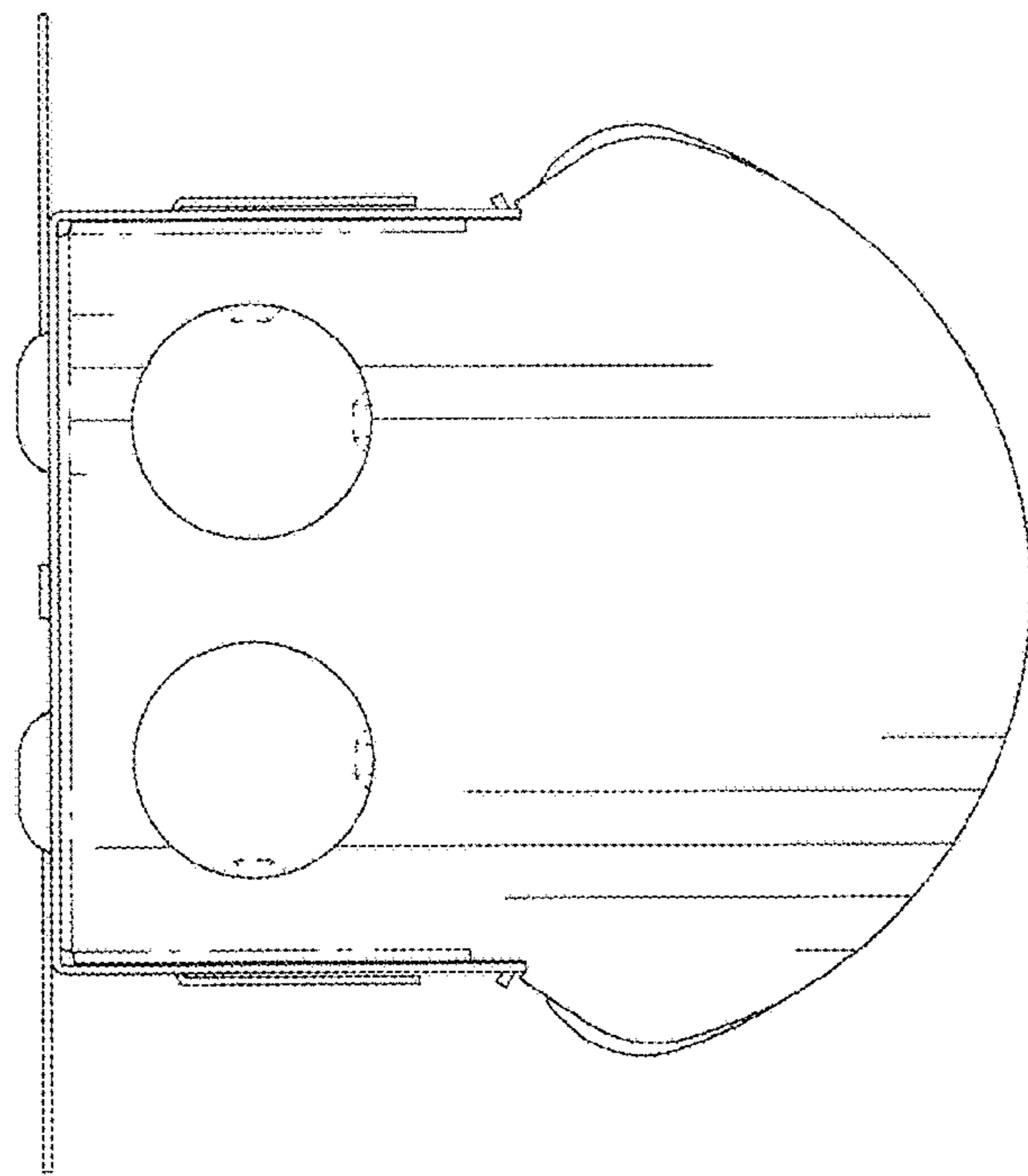


FIG. 5

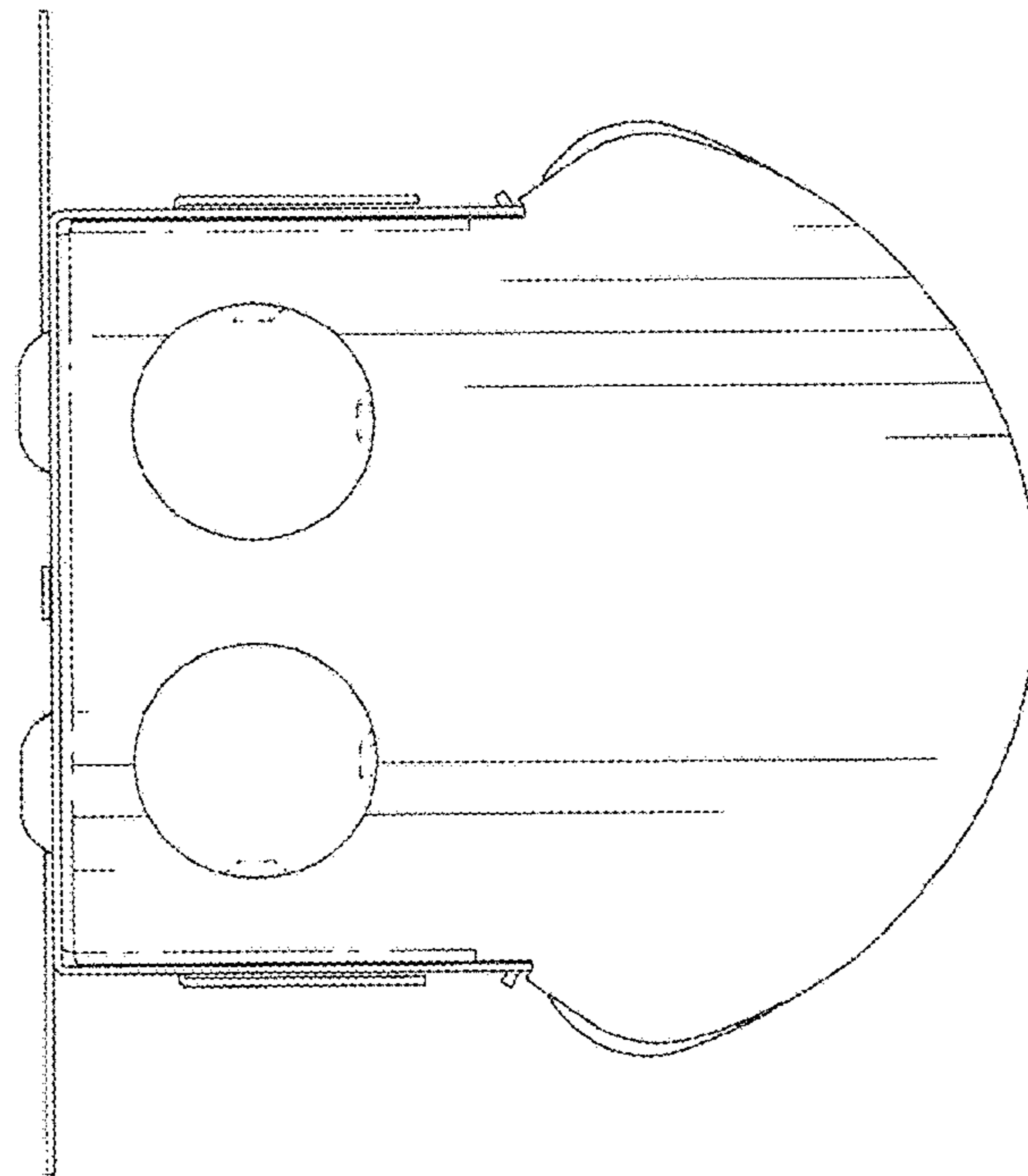


FIG. 6

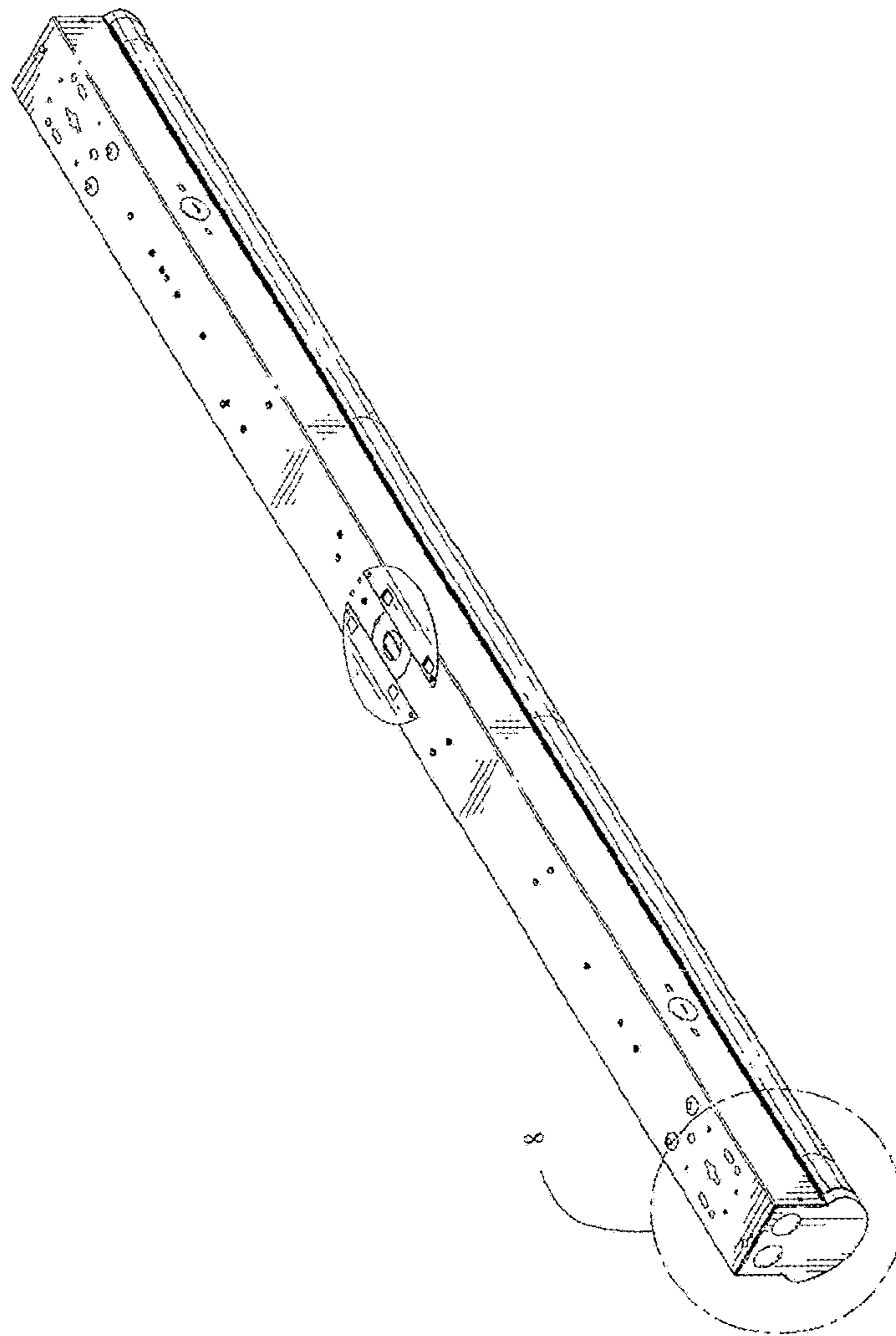


FIG. 7

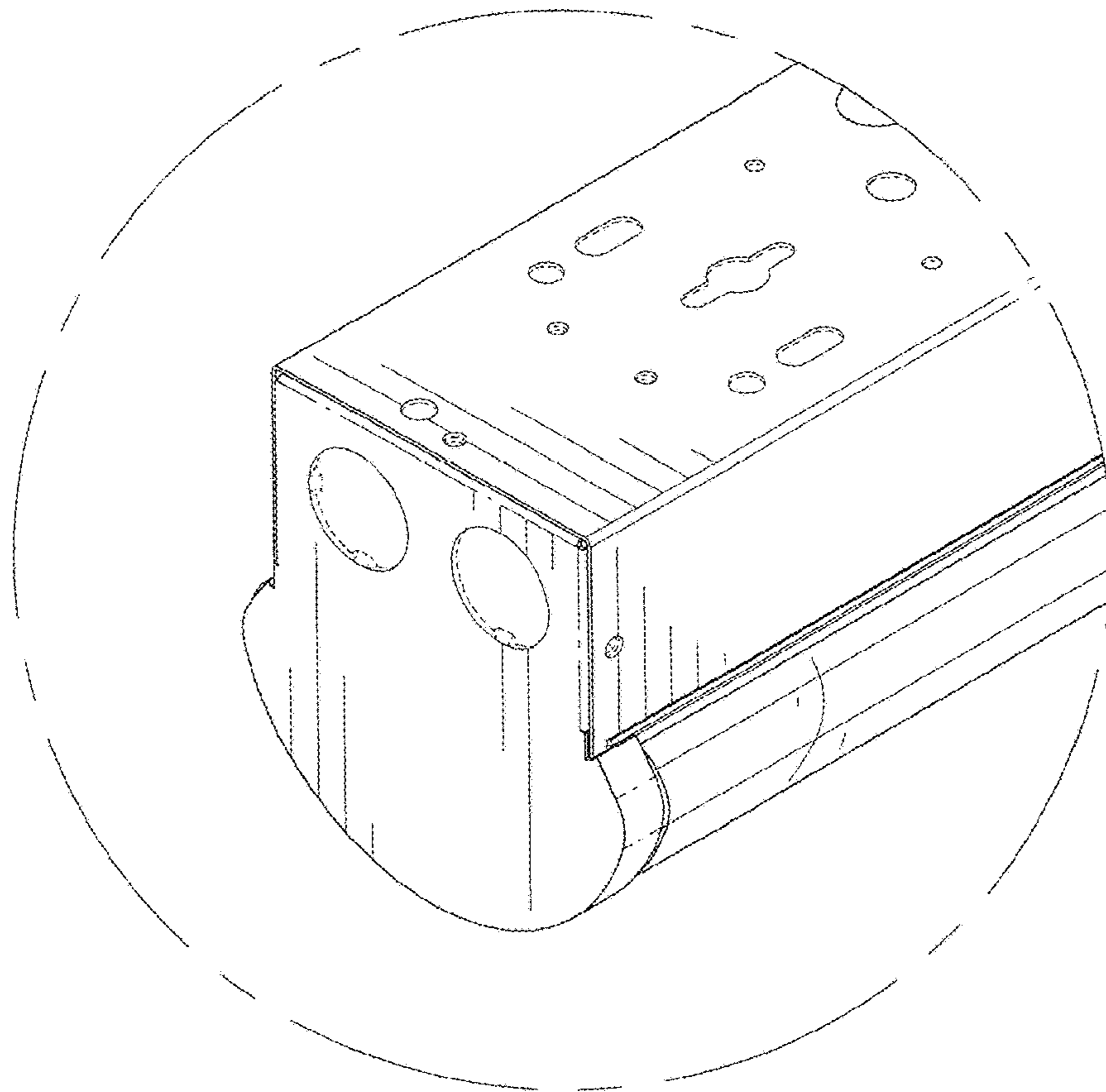


FIG. 8