



US00D840086S

(12) **United States Design Patent**
Deng

(10) **Patent No.:** **US D840,086 S**

(45) **Date of Patent:** **** Feb. 5, 2019**

(54) **LED LIGHT BAR**

(71) Applicant: **DONGGUAN PAN AMERICAN ELECTRONICS CO., LTD,**
DongGuan, GuangDong (CN)

(72) Inventor: **Jinsheng Deng,** DongGuan (CN)

(73) Assignee: **DONGGUAN PAN AMERICAN ELECTRONICS CO., LTD,** Dongguan (CN)

(**) Term: **15 Years**

(21) Appl. No.: **29/591,852**

(22) Filed: **Jan. 24, 2017**

(30) **Foreign Application Priority Data**

Aug. 30, 2016 (CN) 2016 3 0447526

(51) **LOC (11) Cl.** **26-04**

(52) **U.S. Cl.**
USPC **D26/76**

(58) **Field of Classification Search**
USPC ... D26/3, 37, 67, 71, 72, 75, 78, 79, 80, 81,
D26/82, 83, 85, 86, 88, 90, 113, 118
CPC F21S 8/06; F21S 8/031; F21S 4/00; F21Y
2101/00
See application file for complete search history.

(56) **References Cited**

U.S. PATENT DOCUMENTS

D377,993 S * 2/1997 Herst D26/107
D440,340 S * 4/2001 Tillman D26/76

D547,897 S * 7/2007 Willmorth D26/75
D604,447 S * 11/2009 Klaus D26/76
D627,905 S * 11/2010 Swafford, Jr. D26/24
D647,241 S * 10/2011 Takahashi D26/72
D695,942 S * 12/2013 Ng D26/75
D732,226 S * 6/2015 Hartman D26/76
D787,112 S * 5/2017 Samson D26/138
D791,998 S * 7/2017 Lonsdale D26/76
D794,240 S * 8/2017 Hartman D26/76
2012/0293309 A1* 11/2012 Spiro F21S 2/00
340/12.32

* cited by examiner

Primary Examiner — John Windmuller

Assistant Examiner — Benjamin M Weeks

(74) *Attorney, Agent, or Firm* — Ladas & Parry LLP

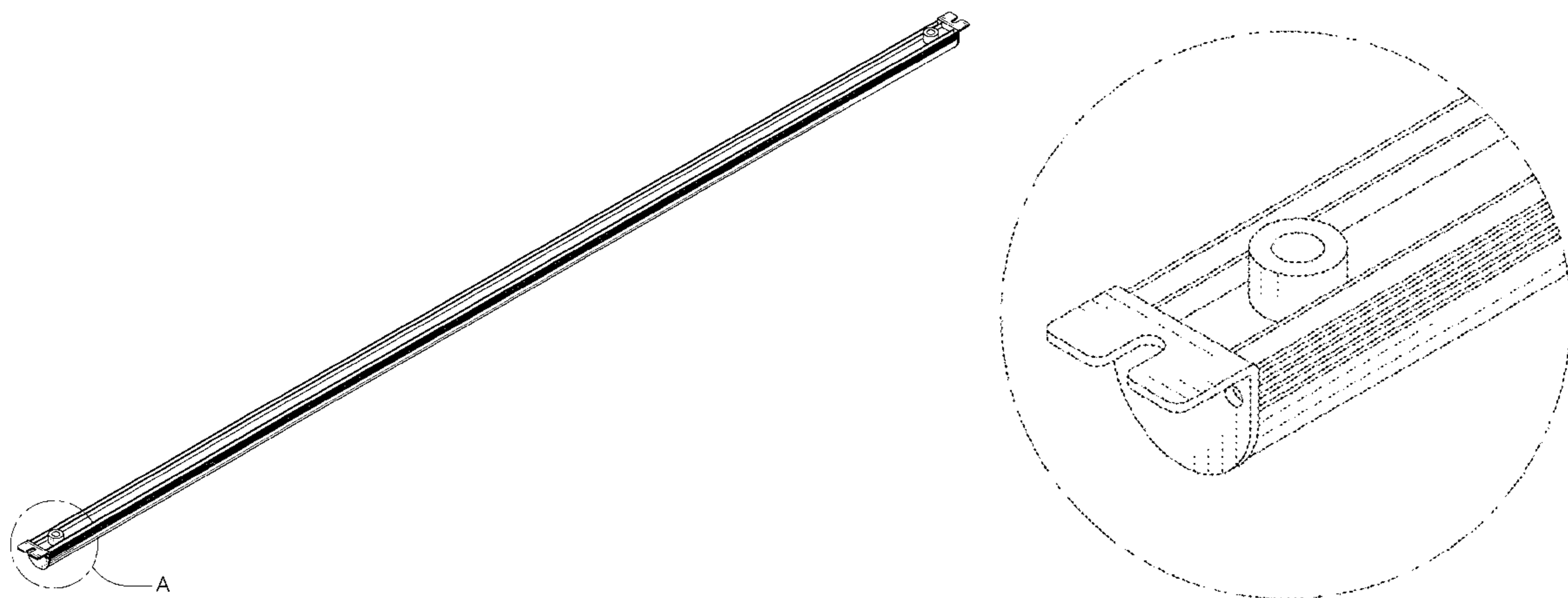
(57) **CLAIM**

The ornamental design for an LED light bar, as shown and described.

DESCRIPTION

FIG. 1 is a front elevational view of an LED light bar showing our new design;
FIG. 2 is a rear elevational view thereof;
FIG. 3 is a left side elevational view thereof;
FIG. 4 is a right side elevational view thereof;
FIG. 5 is an enlarged, top plan view of the LED light bar of FIG. 1;
FIG. 6 is an enlarged, bottom plan view of the LED light bar of FIG. 1;
FIG. 7 is a perspective view thereof; and,
FIG. 8 is an enlarged view of portion A in FIG. 7.
The broken lines in FIGS. 5 and 6 depict features of the LED light bar that form no part of the claimed design.

1 Claim, 8 Drawing Sheets



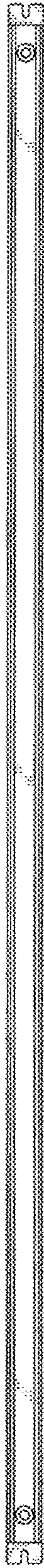


FIG. 1

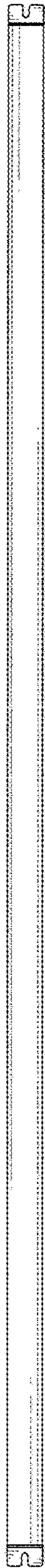


FIG. 2

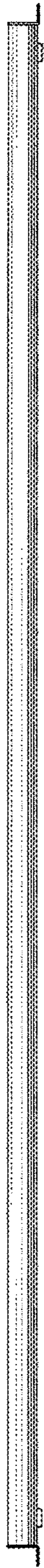


FIG. 3

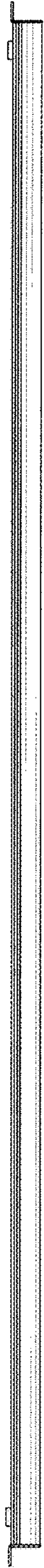


FIG. 4

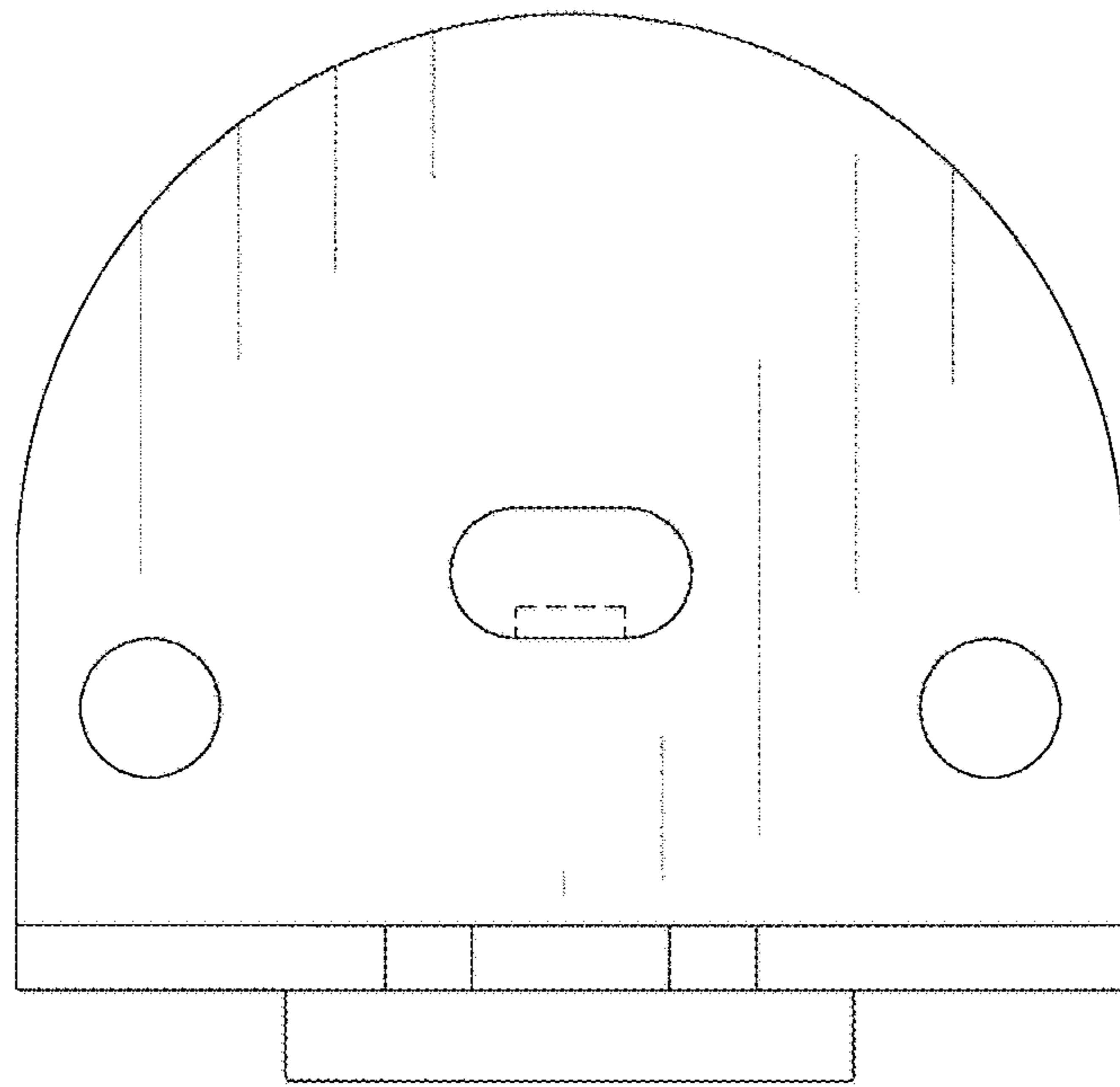


FIG. 5

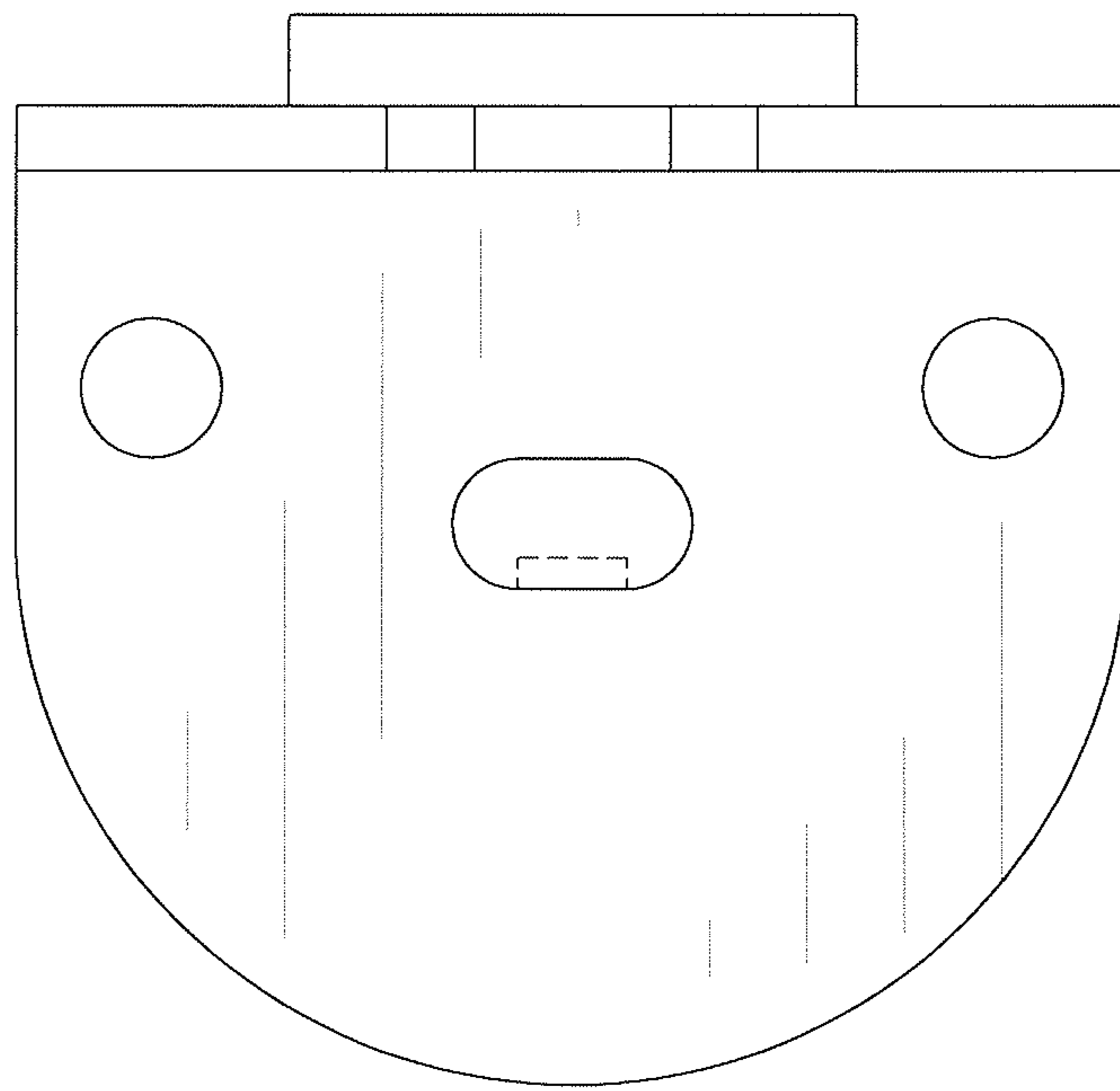


FIG. 6



FIG. 7

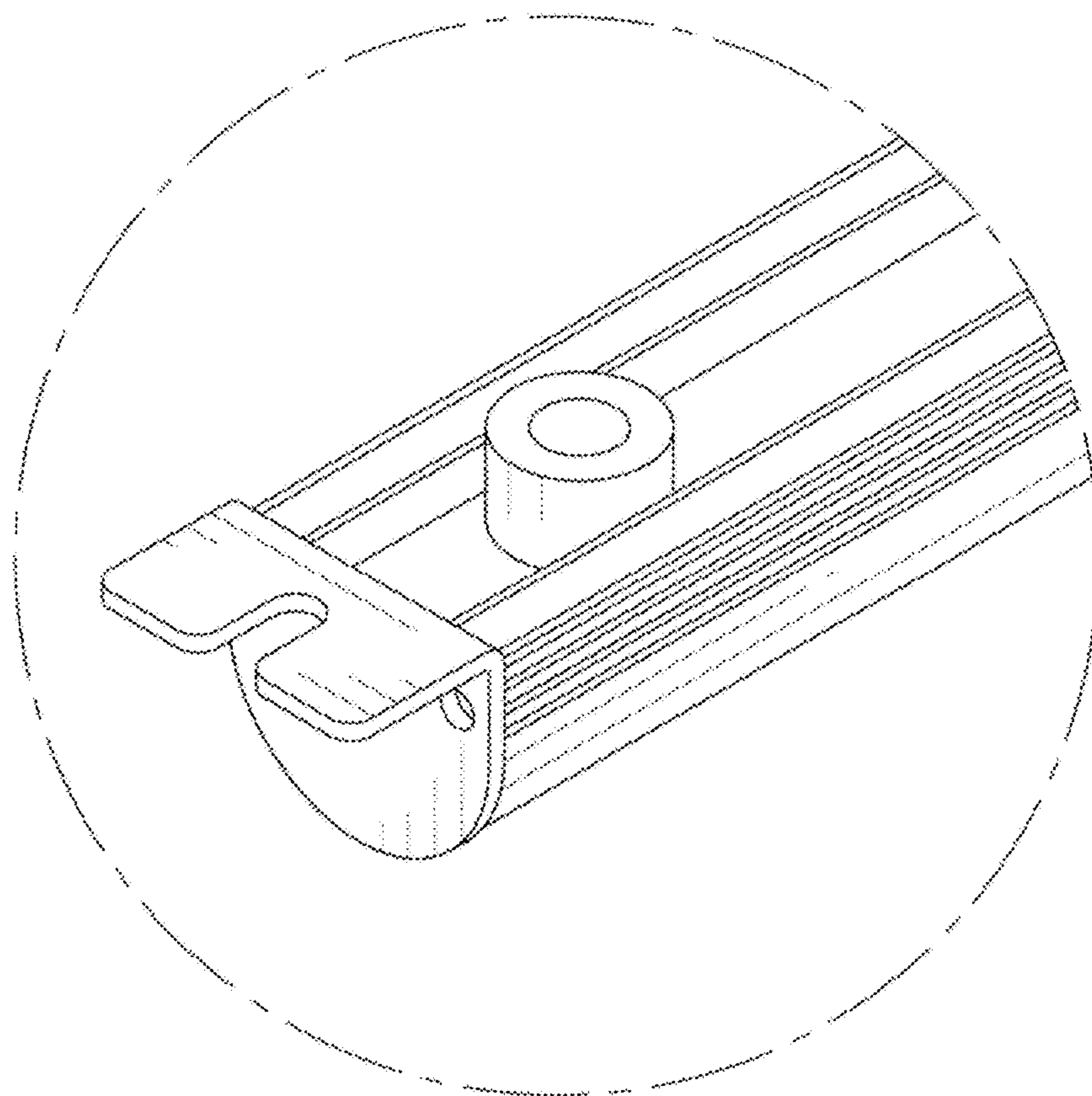


FIG. 8