



US00D840083S

(12) **United States Design Patent** (10) **Patent No.:** **US D840,083 S**
Crosby (45) **Date of Patent:** ** ***Feb. 5, 2019**

(54) **LIGHTING FIXTURE**
(71) Applicant: **Boyd Lighting Fixture Company**,
Sausalito, CA (US)
(72) Inventor: **Doyle Crosby**, San Rafael, CA (US)
(73) Assignee: **BOYD LIGHTING FIXTURE**
COMPANY, Sausalito, CA (US)
(*) Notice: This patent is subject to a terminal dis-
claimer.
(**) Term: **15 Years**

Primary Examiner — Cathron C Brooks
(74) *Attorney, Agent, or Firm* — Heslin Rothenberg
Farley and Mesiti PC

(21) Appl. No.: **29/612,018**
(22) Filed: **Jul. 27, 2017**
(51) **LOC (11) Cl.** **26-05**
(52) **U.S. Cl.**
USPC **D26/74**
(58) **Field of Classification Search**
USPC D26/72, 74, 79, 85–89
CPC F21V 21/02; F21V 21/04; F21V 21/042;
F21V 21/044; F21V 21/047; F21V 29/00;
F21V 29/74–29/76; F21S 8/00; F21S
8/02; F21S 8/026; F21S 8/033
See application file for complete search history.

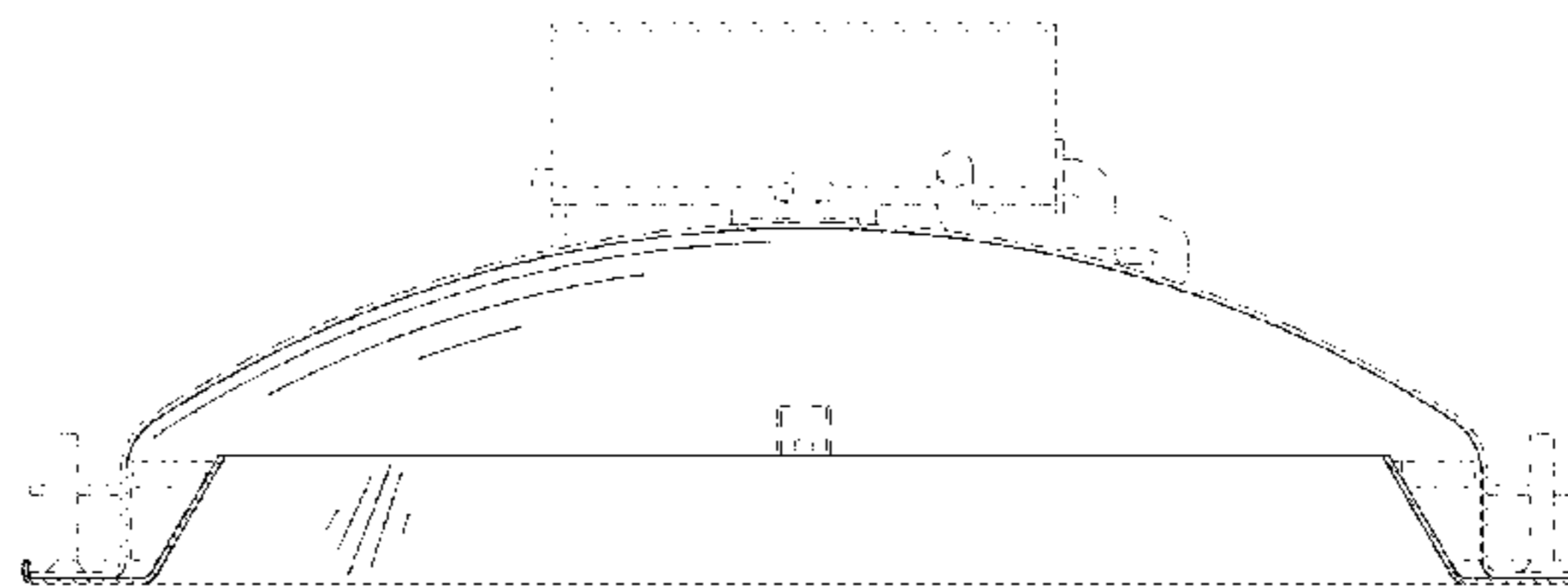
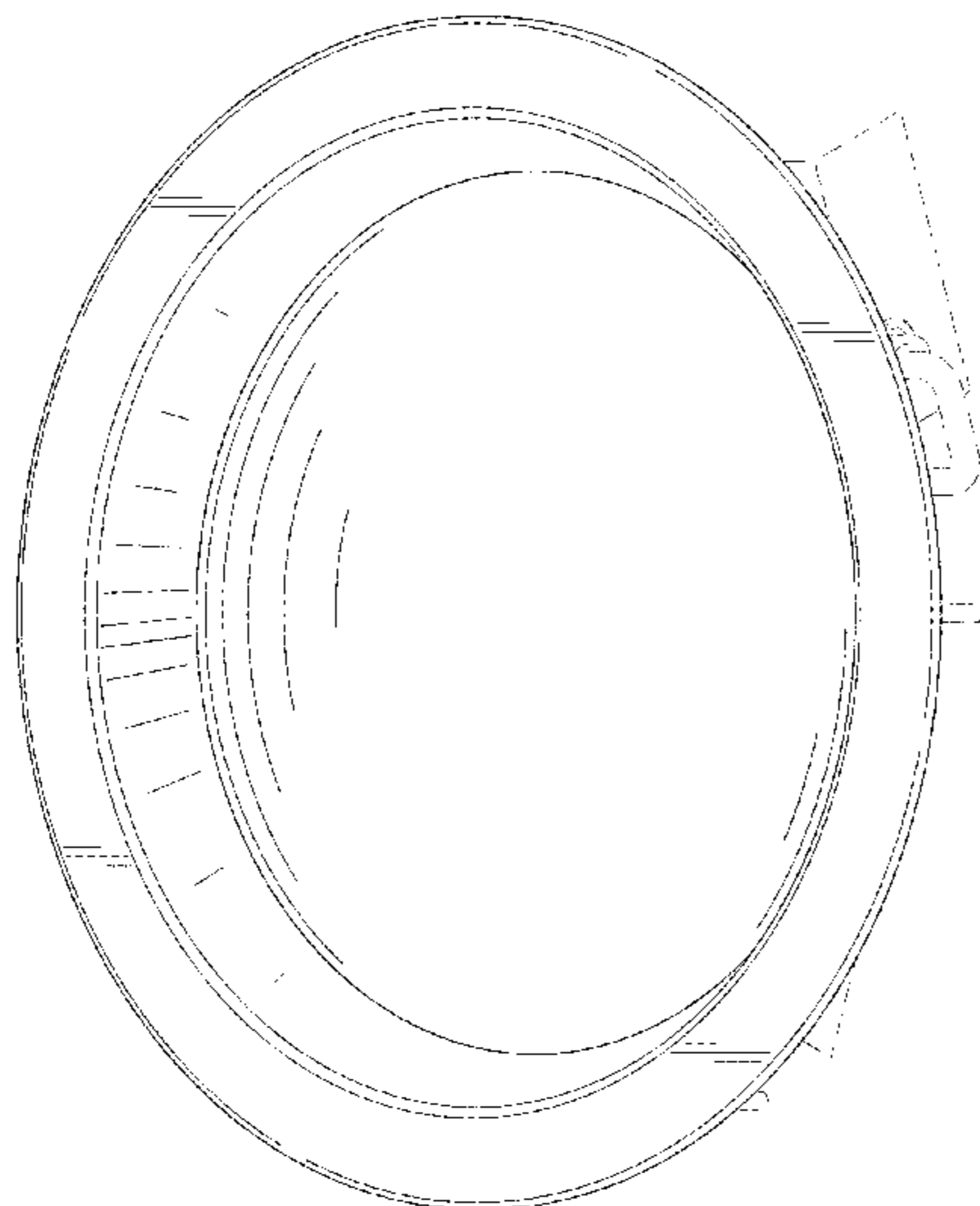
(57) **CLAIM**
The ornamental design for a lighting fixture, as shown and
described.

(56) **References Cited**
U.S. PATENT DOCUMENTS
D185,410 S 6/1959 Bodian et al.
D247,562 S * 3/1978 Walker D14/209
D354,579 S 1/1995 Chan
D382,663 S 8/1997 Barry
D394,726 S 5/1998 Crosby
D402,074 S 12/1998 Crosby
(Continued)

DESCRIPTION
This application contains subject matter which is related to
the subject matter of concurrently filed U.S. Design Patent
application Ser. No. 29/612,019, entitled “Recessed Light-
ing Fixture” by Doyle Crosby; U.S. Design Patent applica-
tion Ser. No. 29/612,020, entitled “Lighting Fixture Having
an Illumination Effect” by Doyle Crosby; which applications
are hereby incorporated in their entirety herein by reference.
FIG. 1 is a right perspective view of a lighting fixture
according to the new design;
FIG. 2 is a left perspective view thereof;
FIG. 3 is a front elevational view thereof;
FIG. 4 is a right side elevational view thereof;
FIG. 5 is a left side elevational view thereof;
FIG. 6 is a top view thereof;
FIG. 7 is a bottom view thereof;
FIG. 8 is a rear view thereof;
FIG. 9 is a cross-sectional view taken along line 9-9 in FIG.
3; and,
FIG. 10 is a right perspective view of another embodiment
of a lighting fixture according to the new design with stipple
shading, which illustrates a contrasting appearance, and
which is the sole difference between this embodiment and
the embodiment of FIGS. 1-9.
The broken lines in the drawing disclosure illustrate portions
of the lighting fixture that form no part of the claimed
design.

OTHER PUBLICATIONS
James Turrell Work Type, printed from the Internet Aug. 8, 2017,
<https://web.archive.org/web/20151122034440/http://jamesturrell.com:80/work/type/>, 4 pages, Nov. 22, 2016.
(Continued)

1 Claim, 10 Drawing Sheets



(56)

References Cited

U.S. PATENT DOCUMENTS

D403,796 S 1/1999 Crosby
 D407,521 S 3/1999 Crosby
 D441,119 S 4/2001 Crosby
 D454,971 S 3/2002 Crosby
 D455,223 S 4/2002 Crosby
 D456,550 S 4/2002 Clodagh
 D456,932 S 5/2002 Crosby
 D459,525 S 6/2002 Barry
 D475,802 S 6/2003 Homann
 D494,305 S 8/2004 Crosby
 D503,241 S 3/2005 Crosby
 D532,146 S 11/2006 Crosby
 D536,468 S 2/2007 Crosby
 D536,820 S 2/2007 Crosby
 D550,885 S 9/2007 Crosby
 D558,912 S 1/2008 Crosby
 D576,767 S 9/2008 Gutkin
 D584,848 S 1/2009 Menke
 D599,951 S * 9/2009 Pickard D26/138
 D606,227 S 12/2009 Erickson
 D608,933 S 1/2010 Castelli
 D632,003 S 2/2011 Jordan
 D633,644 S 3/2011 Sprengers
 D646,424 S 10/2011 Ho
 D646,425 S 10/2011 Crosby
 D646,426 S 10/2011 Wolk
 D658,327 S 4/2012 Meise
 D663,467 S 7/2012 Apetauer
 D663,468 S 7/2012 Apetauer
 D674,952 S 1/2013 Crosby
 D675,362 S 1/2013 Apetauer
 D675,363 S 1/2013 Apetauer
 D681,863 S * 5/2013 Chen D26/74
 D682,455 S 5/2013 Apetauer
 D684,288 S * 6/2013 Gielen D26/74
 D690,869 S 10/2013 Katz
 D712,083 S 8/2014 Crosby
 D712,963 S 9/2014 Fleet
 D717,485 S 11/2014 Lovegrove
 D718,484 S 11/2014 Eberle
 D724,775 S 3/2015 van Dijk
 D731,689 S * 6/2015 Bernard D26/74
 D759,873 S * 6/2016 Saaranen D26/74
 D762,906 S * 8/2016 Jeswani D26/74

D768,327 S 10/2016 Guzzini
 D768,903 S 10/2016 Guzzini
 D769,501 S * 10/2016 Jeswani D26/74
 D769,504 S * 10/2016 Jeswani D26/74
 D772,466 S * 11/2016 Zhang D26/74
 D777,966 S * 1/2017 Jeswani D26/74
 2015/0085476 A1 3/2015 Mandy
 2016/0375161 A1 * 12/2016 Hawkins H05B 33/0854
 422/22
 2017/0167672 A1 * 6/2017 Stauner F21S 8/026
 2017/0303363 A1 * 10/2017 Pyschos H05B 33/0863
 2018/0116029 A1 * 4/2018 Pyschos F21V 7/00

OTHER PUBLICATIONS

James Turrell Veils, printed from the Internet Aug. 8, 2017, <https://web.archive.org/web/20151218144150/http://jamesturrell.com:80/work/type/veils/>, 2 pages, Dec. 18, 2015.
 How to Pick Recessed Lighting, YDesign Group, LLC, printed from the Internet Aug. 8, 2017, 3 pages, May 22, 2010.
 Doyle Crosby, design U.S. Appl. No. 29/612,019, entitled Recessed Lighting Fixture, filed Jul. 27, 2017, 16-pages.
 Doyle Crosby, design U.S. Appl. No. 29/612,020, entitled Lighting Fixture Having an Illumination Effect, filed Jul. 27, 2017, 27-pages.
 Doyle Crosby et al., U.S. Appl. No. 62/537,766, entitled Lighting Fixtures Having an Illumination Effect, filed Jul. 27, 2017, 43-pages.
 Mark A. Gaynor, design U.S. Appl. No. 29/612,021, entitled Lighting Fixture, filed Jul. 27, 2017, 13-pages.
 Mark A. Gaynor, design U.S. Appl. No. 29/612,023, entitled Recessed Lighting Fixture, filed Jul. 27, 2017, 17-pages.
 Mark A. Gaynor, design U.S. Appl. No. 29/612,024, entitled Lighting Fixture Having an Illumination Effect, filed Jul. 27, 2017, 15-pages.
 Sunbeam Sconce Fixture and Portal Sconce Fixture, "Boyd Lighting: Family Owned Lighting Firm", Mark McDonough, tastefullyinspired.com, Oct. 21, 2016, site visited Jul. 2, 2018, available online at <https://tastefullyinspired.com/welcoming-a-new-lighting-designer-boyd-lighting/>, 21 pages, Oct. 21, 2016.
 Portal Sconce, contractdesign.com, Oct. 5, 2017, site visited Jun. 29, 2018, available online at <https://www.contractdesign.com/products/lighting-architectural/boyd-lighting-portal/> (Year: 2017).

* cited by examiner

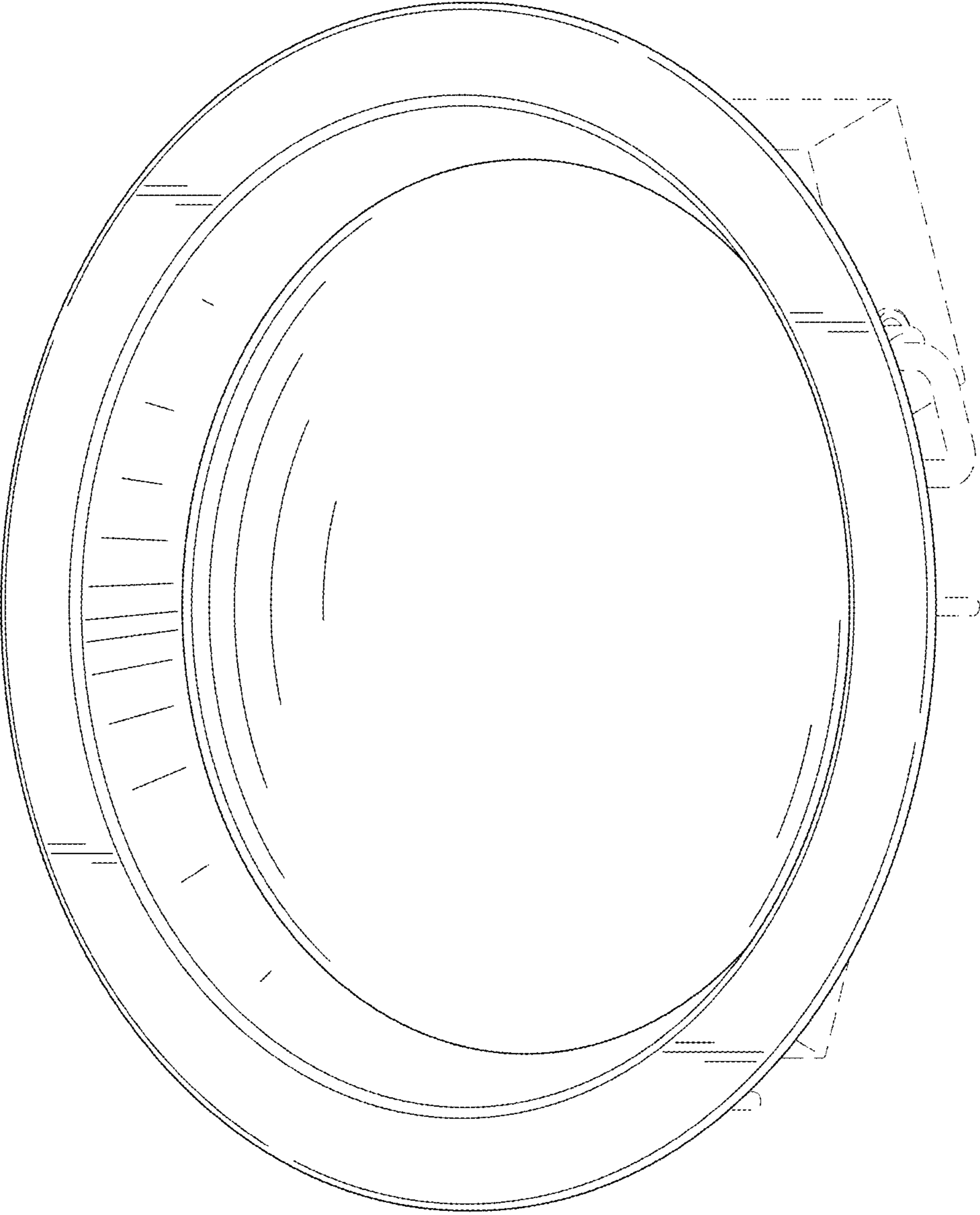


FIG. 1

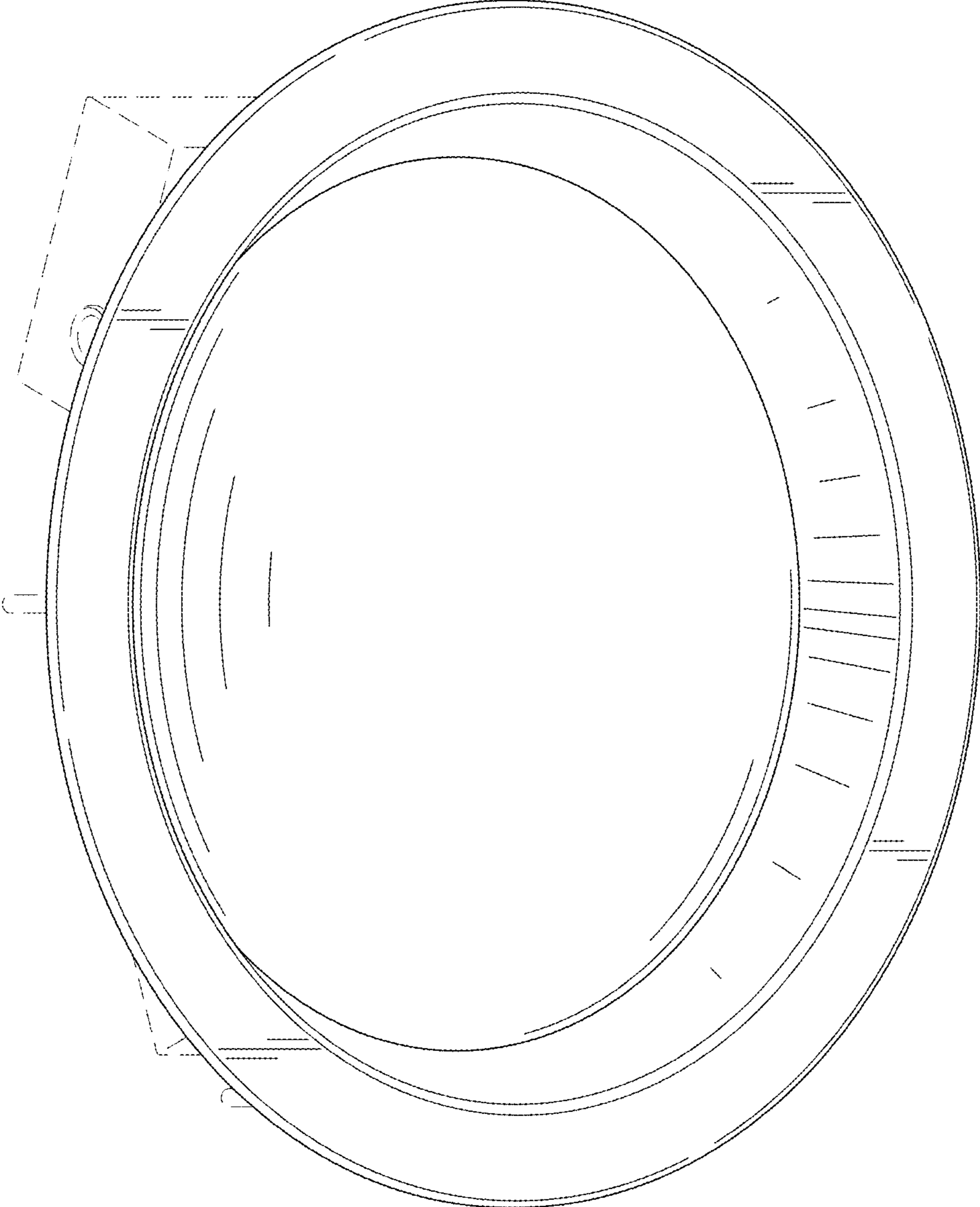


FIG. 2

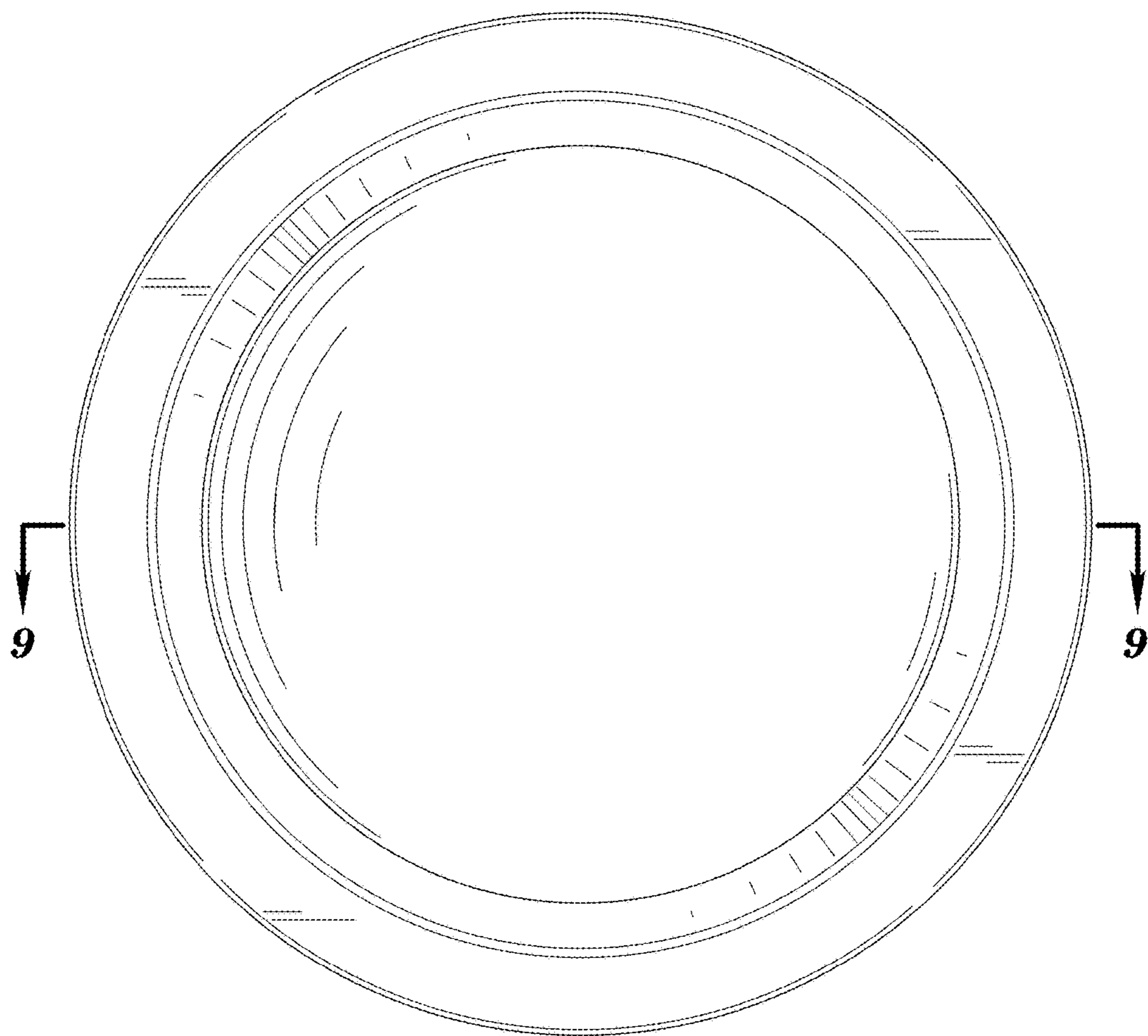


FIG. 3

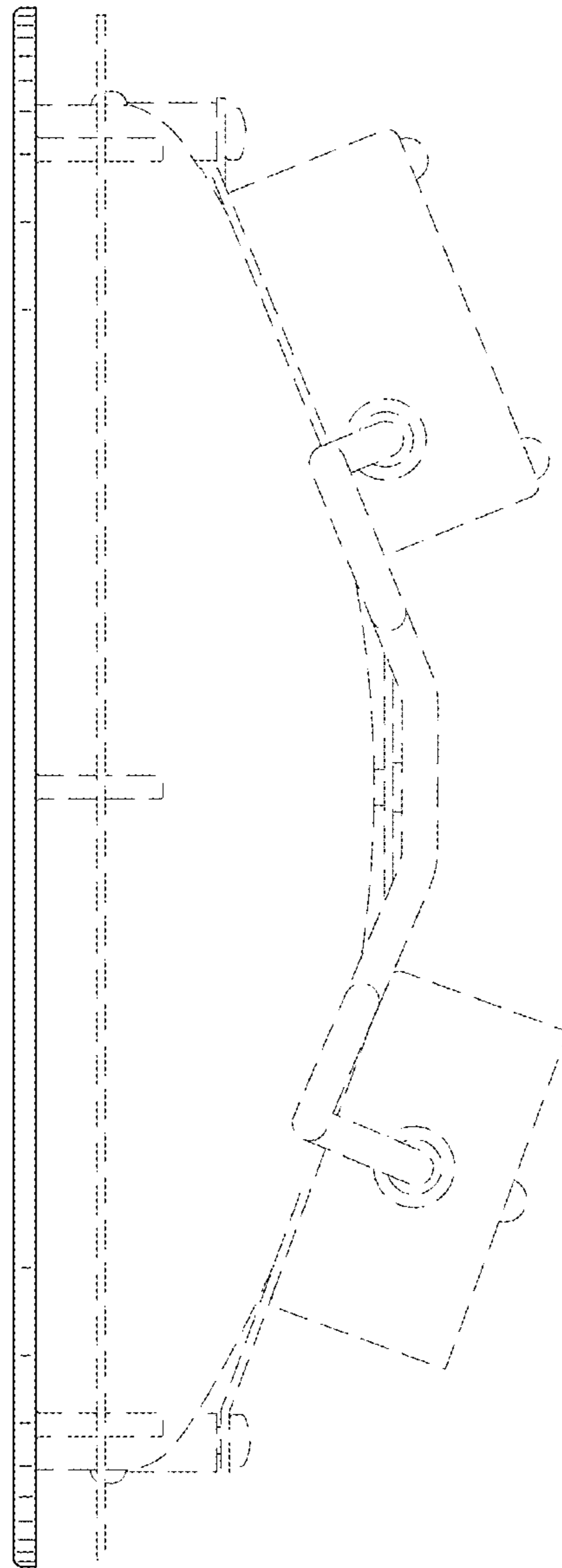


FIG. 4

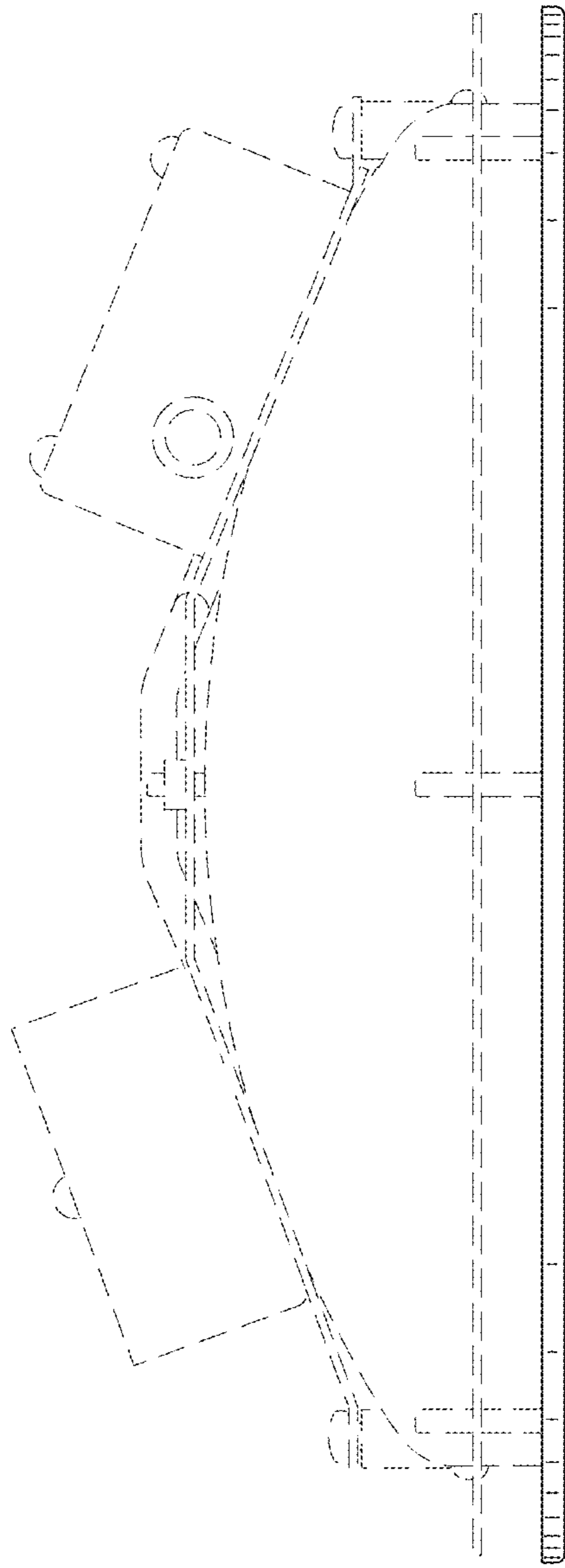


FIG. 5

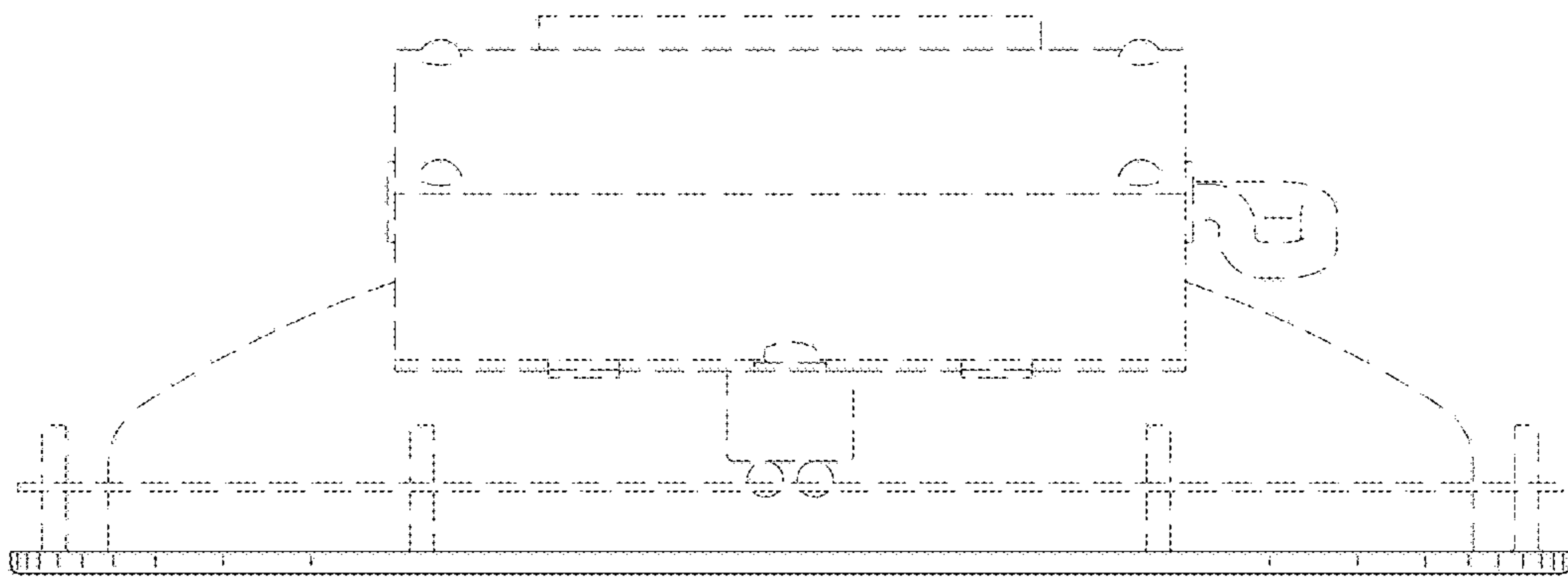


FIG. 6

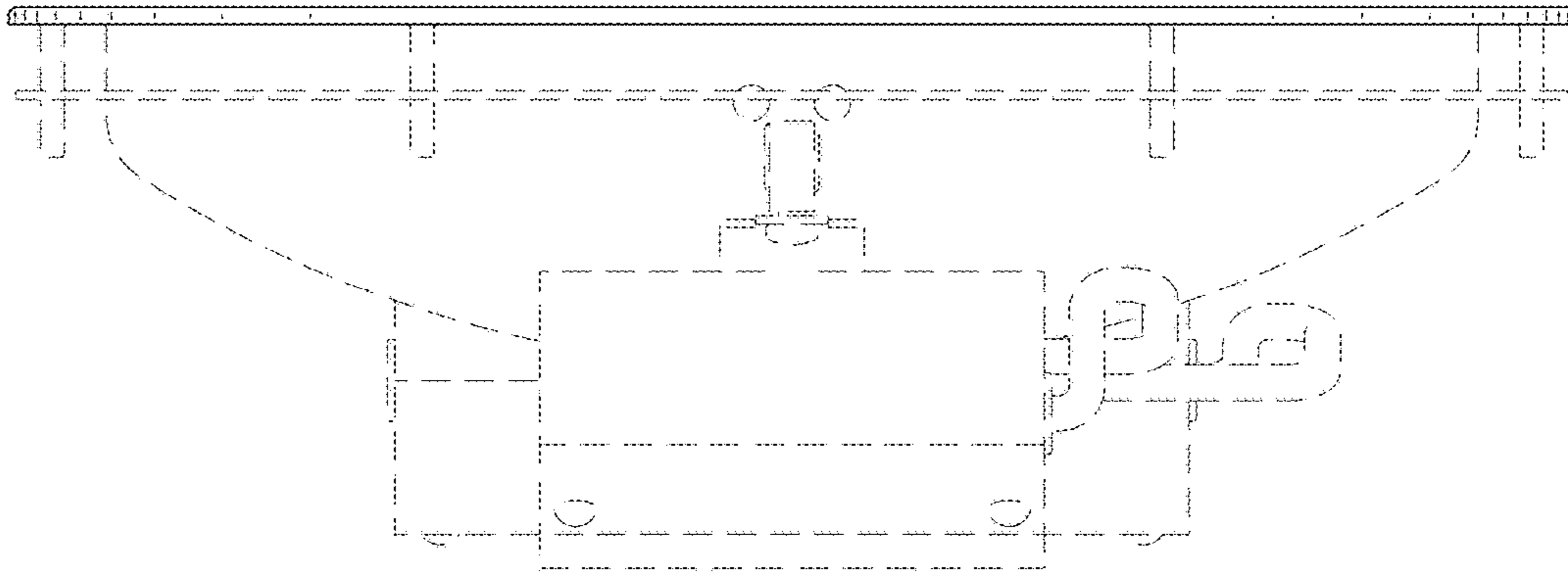


FIG. 7

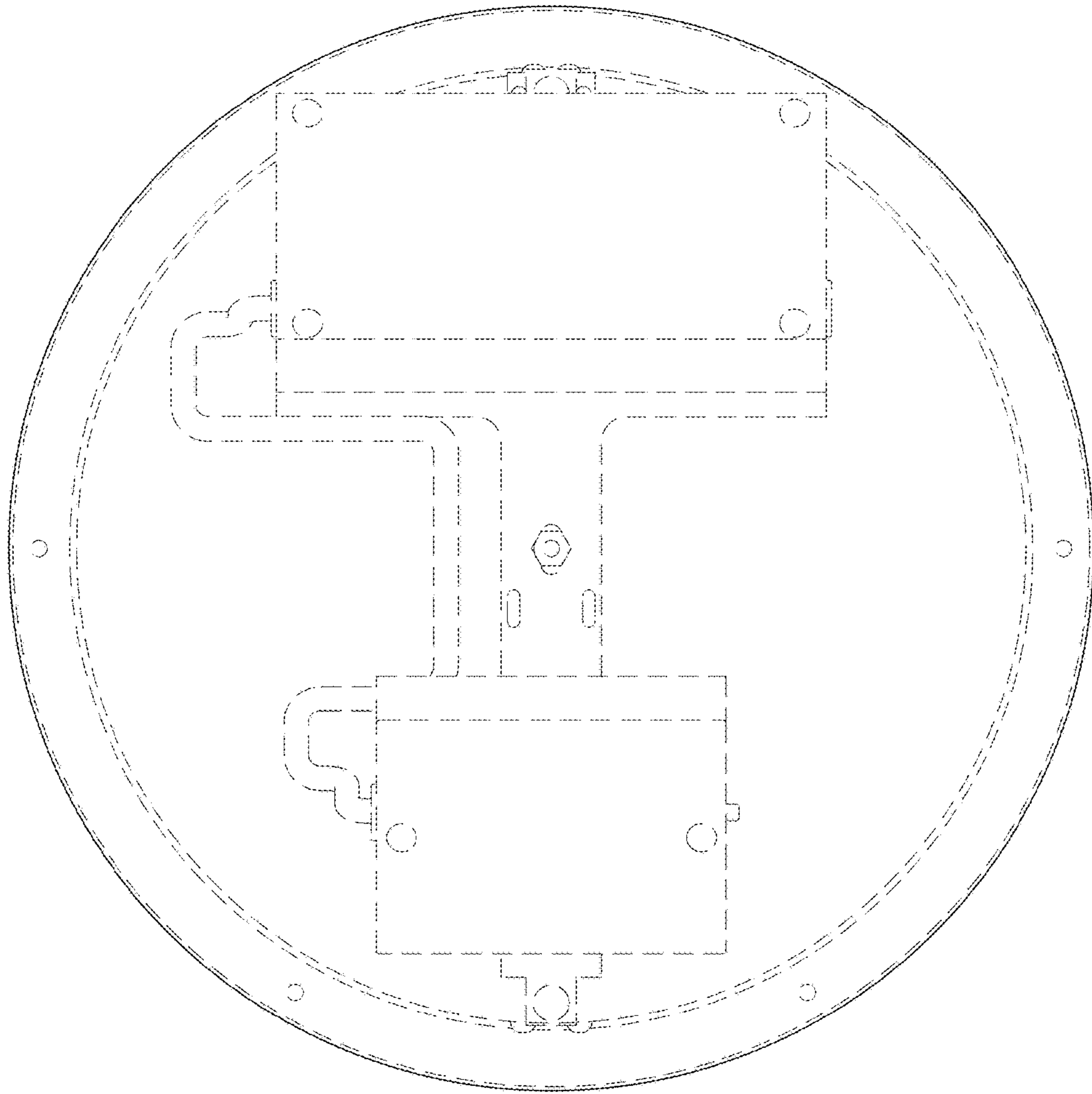


FIG. 8

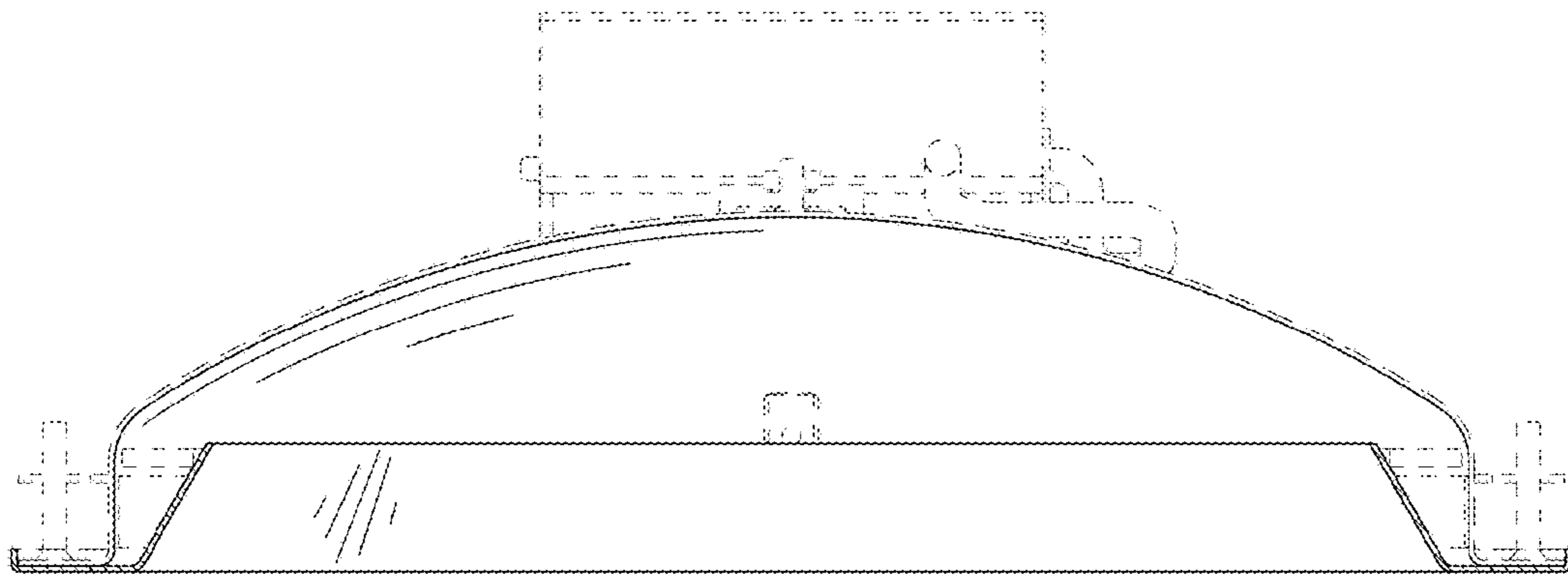


FIG. 9

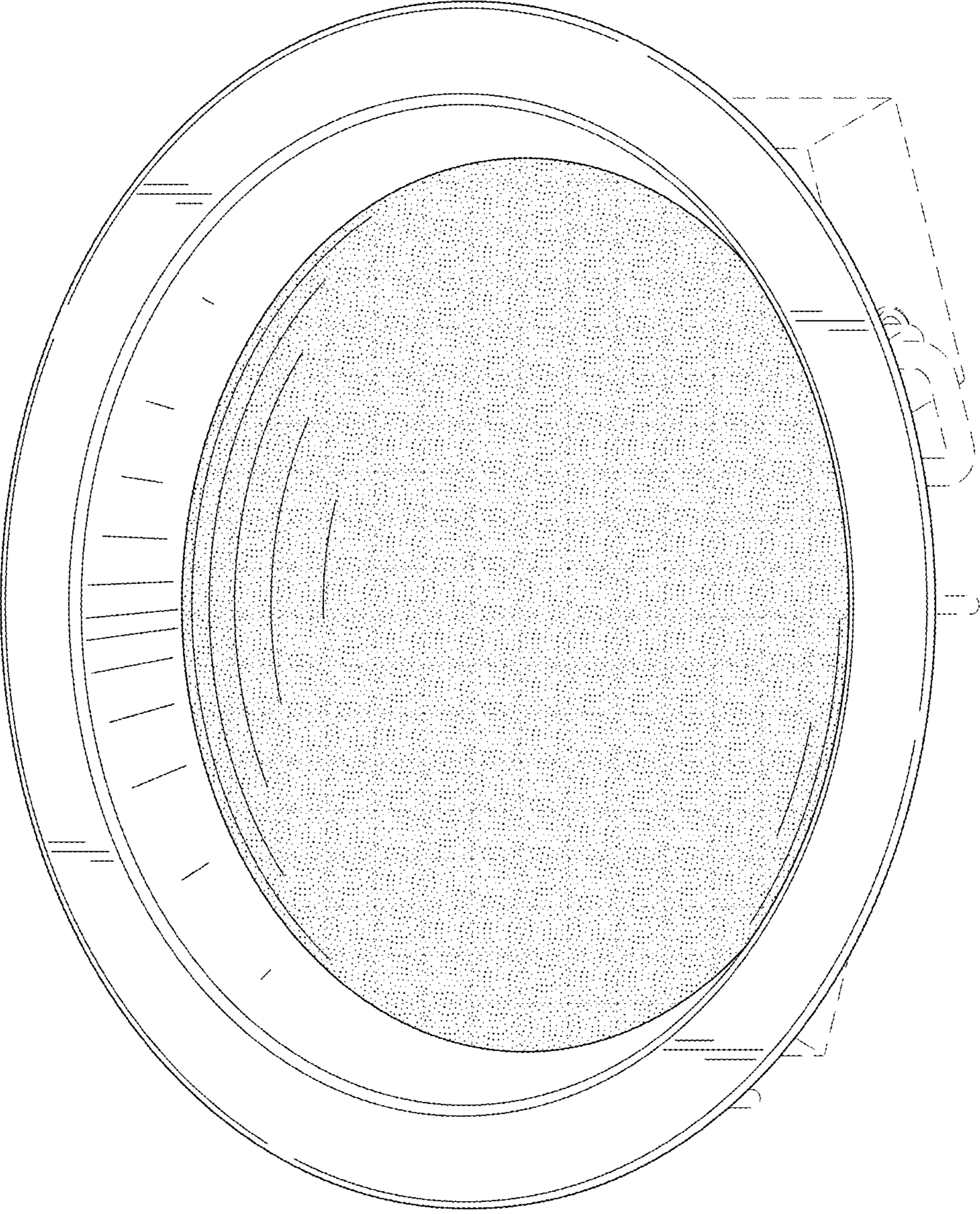


FIG. 10