



US00D840081S

(12) **United States Design Patent**  
**Deng**

(10) **Patent No.:** **US D840,081 S**

(45) **Date of Patent:** **\*\* Feb. 5, 2019**

(54) **FARM LAMP**

(71) Applicant: **Dongguan Pan American Electronics Co., Ltd**, DongGuan, GuangDong (CN)

(72) Inventor: **Jinsheng Deng**, DongGuan (CN)

(73) Assignee: **DONGGUAN PAN AMERICAN ELECTRONICS CO., LTD**, Dongguan (CN)

(\*\*) Term: **15 Years**

(21) Appl. No.: **29/606,880**

(22) Filed: **Jun. 8, 2017**

(30) **Foreign Application Priority Data**

Mar. 31, 2017 (CN) ..... 2017 3 0104363

(51) **LOC (11) Cl.** ..... **26-05**

(52) **U.S. Cl.**  
USPC ..... **D26/71**

(58) **Field of Classification Search**  
USPC ..... D26/71, 72, 80, 88, 91, 92, 122  
CPC ..... F21S 8/03; F21S 8/04; F21S 8/043; F21S 8/06; F21S 8/061; F21S 8/063; F21V 21/008; F21V 21/02; F21V 29/2212; F21V 29/767; F21V 29/77; F21V 29/777; F21V 29/78

See application file for complete search history.

(56) **References Cited**

**U.S. PATENT DOCUMENTS**

D205,411 S \* 8/1966 Pettengill ..... D26/71  
D418,620 S \* 1/2000 Grossman ..... D26/71

D424,228 S \* 5/2000 Grossman ..... D26/71  
6,336,734 B1 \* 1/2002 Arumugasaamy ..... F21S 8/06 362/308  
D557,853 S \* 12/2007 Sandell ..... D26/71  
D641,095 S \* 7/2011 Yao ..... D26/71  
D694,941 S \* 12/2013 Yu ..... D26/87  
9,423,110 B1 \* 8/2016 Newton ..... F21S 8/00  
2013/0188353 A1 \* 7/2013 Nankil ..... F21V 21/14 362/235

**OTHER PUBLICATIONS**

75W LED Outdoor Barn Light. From walmart.com (c)2018. (Year: 2018).\*

TDD2 LED Area Light from Lithonia Lighting. (c) 2017. (Year: 2017).\*

\* cited by examiner

*Primary Examiner* — Clare E Heflin

(74) *Attorney, Agent, or Firm* — Ladas & Parry LLP

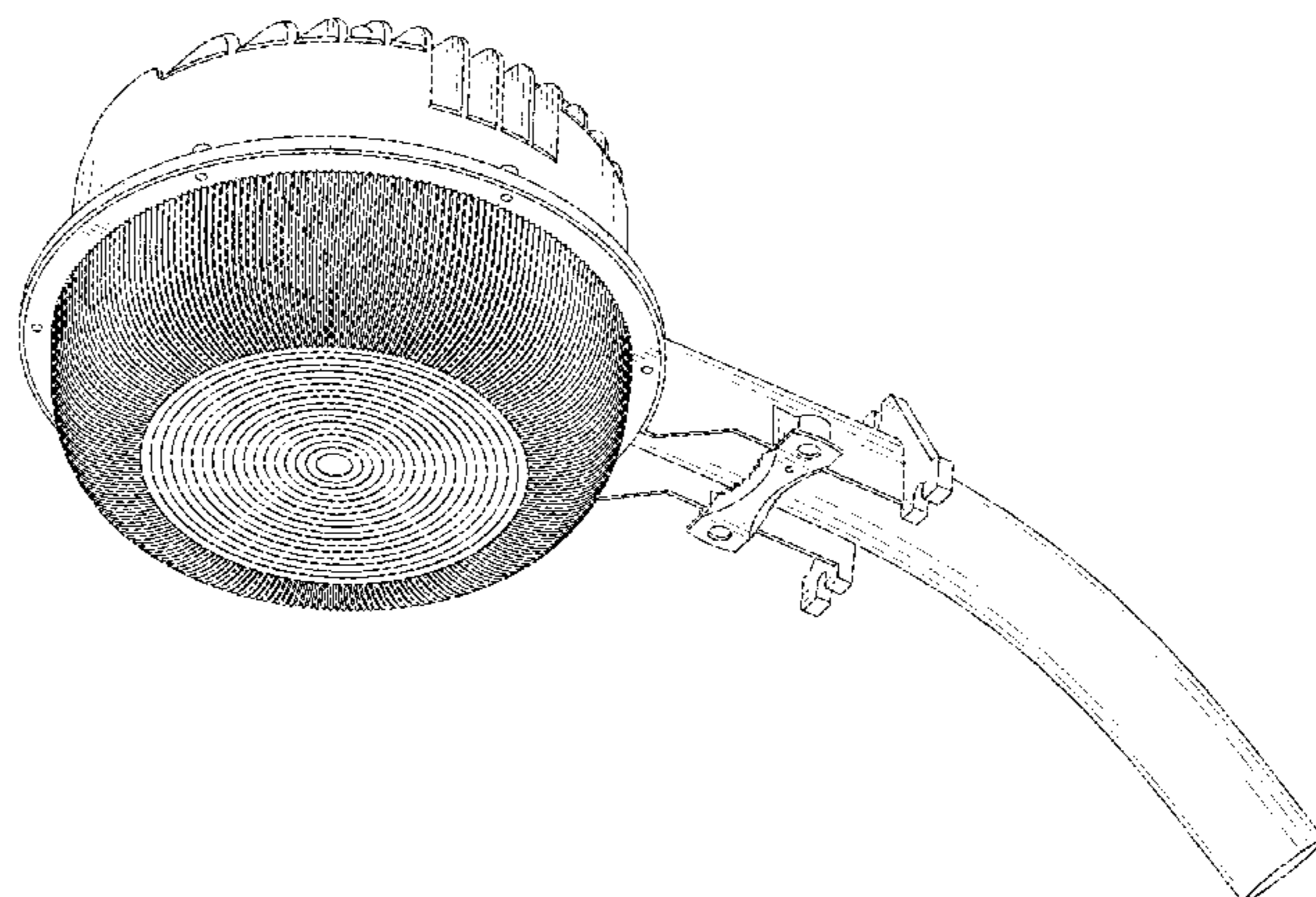
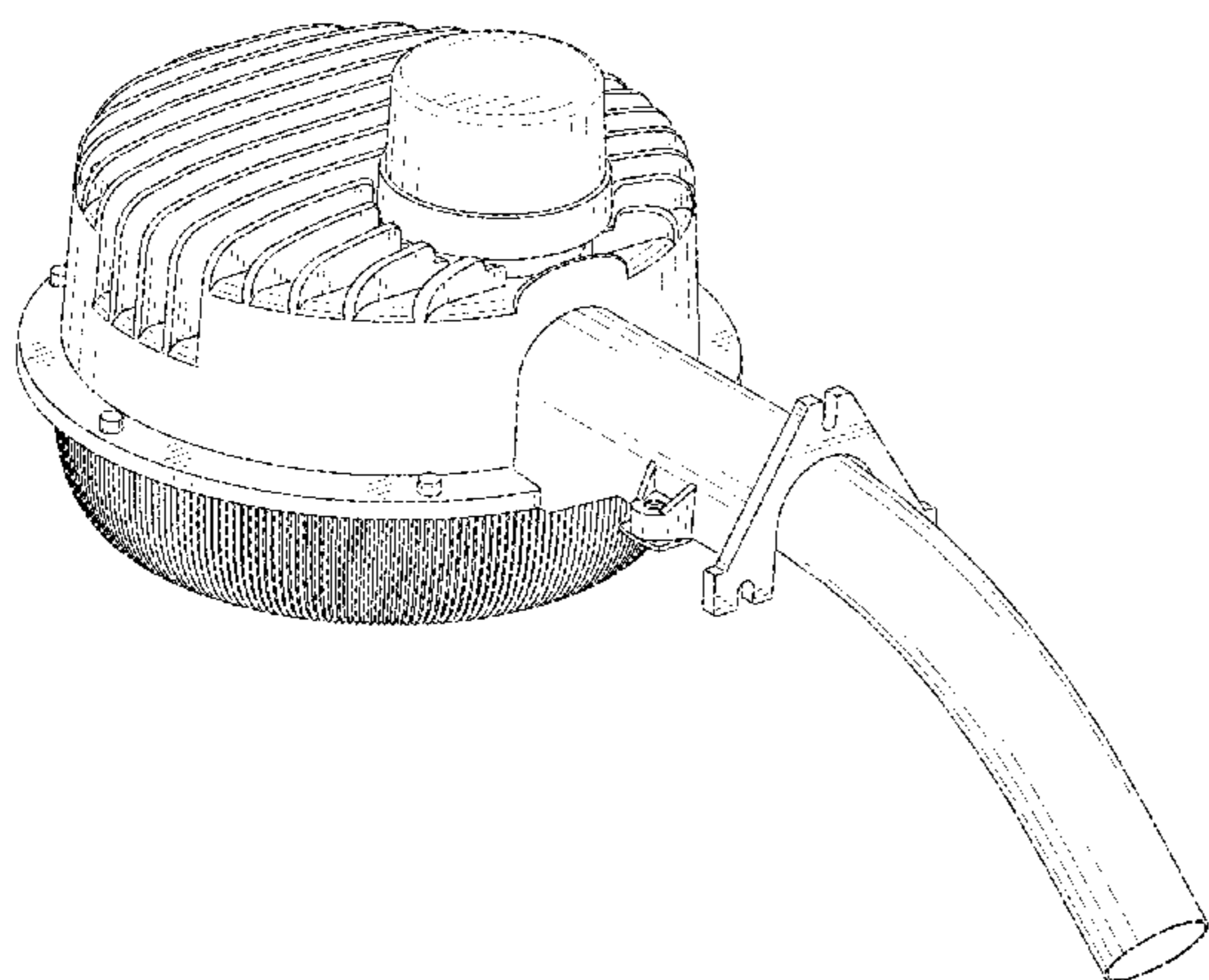
(57) **CLAIM**

The ornamental design for a farm lamp, as shown and described.

**DESCRIPTION**

FIG. 1 is a front elevational view of a farm lamp showing my new design;  
FIG. 2 is a rear elevational view thereof;  
FIG. 3 is a left-side elevational view thereof;  
FIG. 4 is a right-side elevational view thereof;  
FIG. 5 is a top plan view thereof;  
FIG. 6 is a bottom plan view thereof;  
FIG. 7 is a front, top, right perspective view thereof; and,  
FIG. 8 is front, bottom, right perspective view thereof.

**1 Claim, 8 Drawing Sheets**



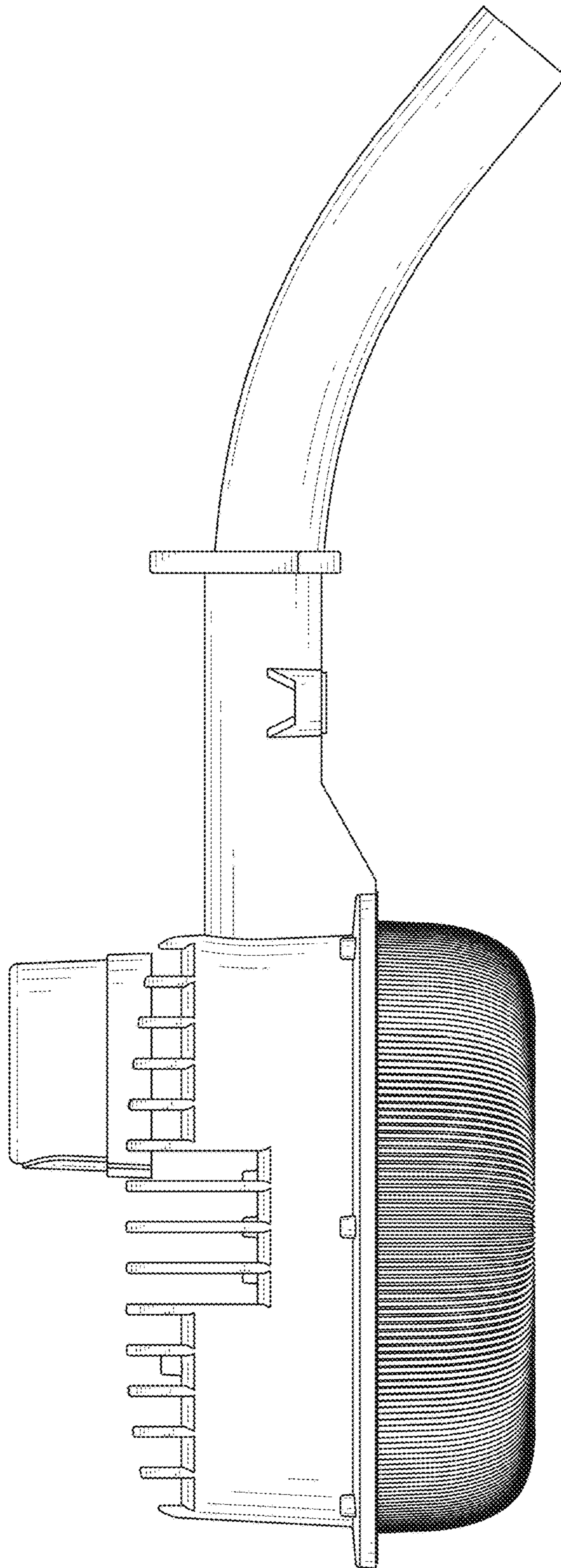


FIG. 1



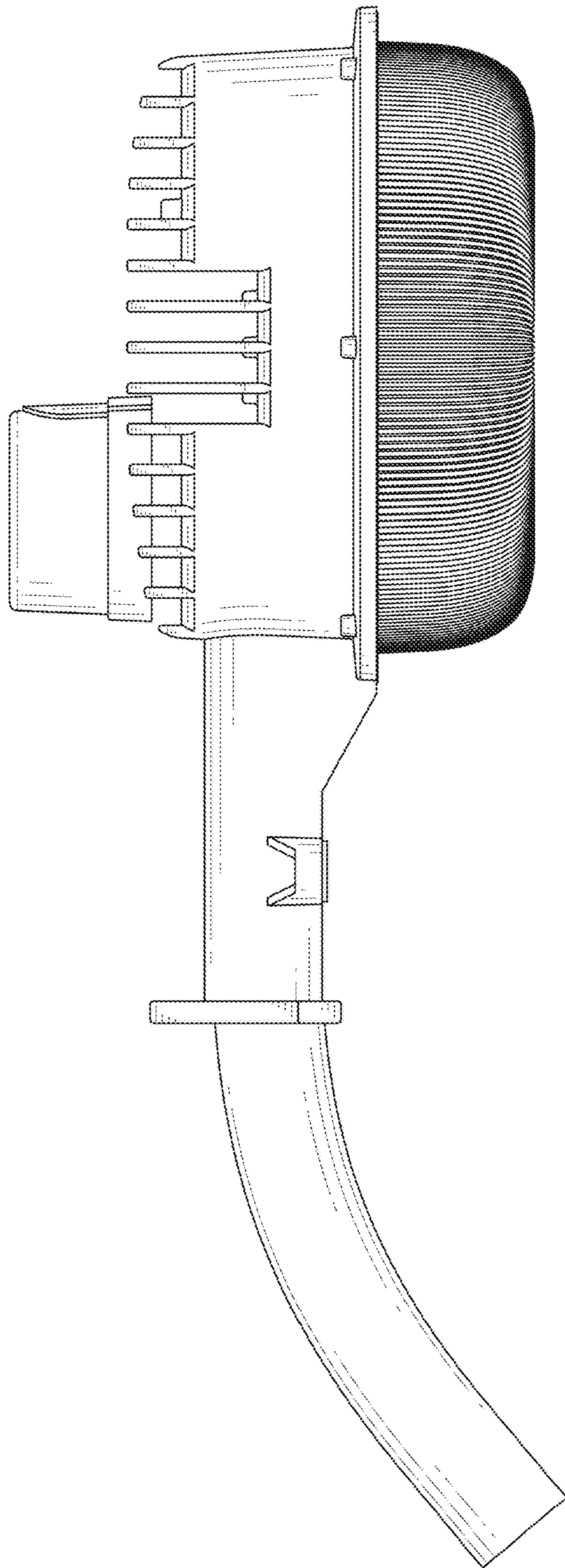


FIG. 2

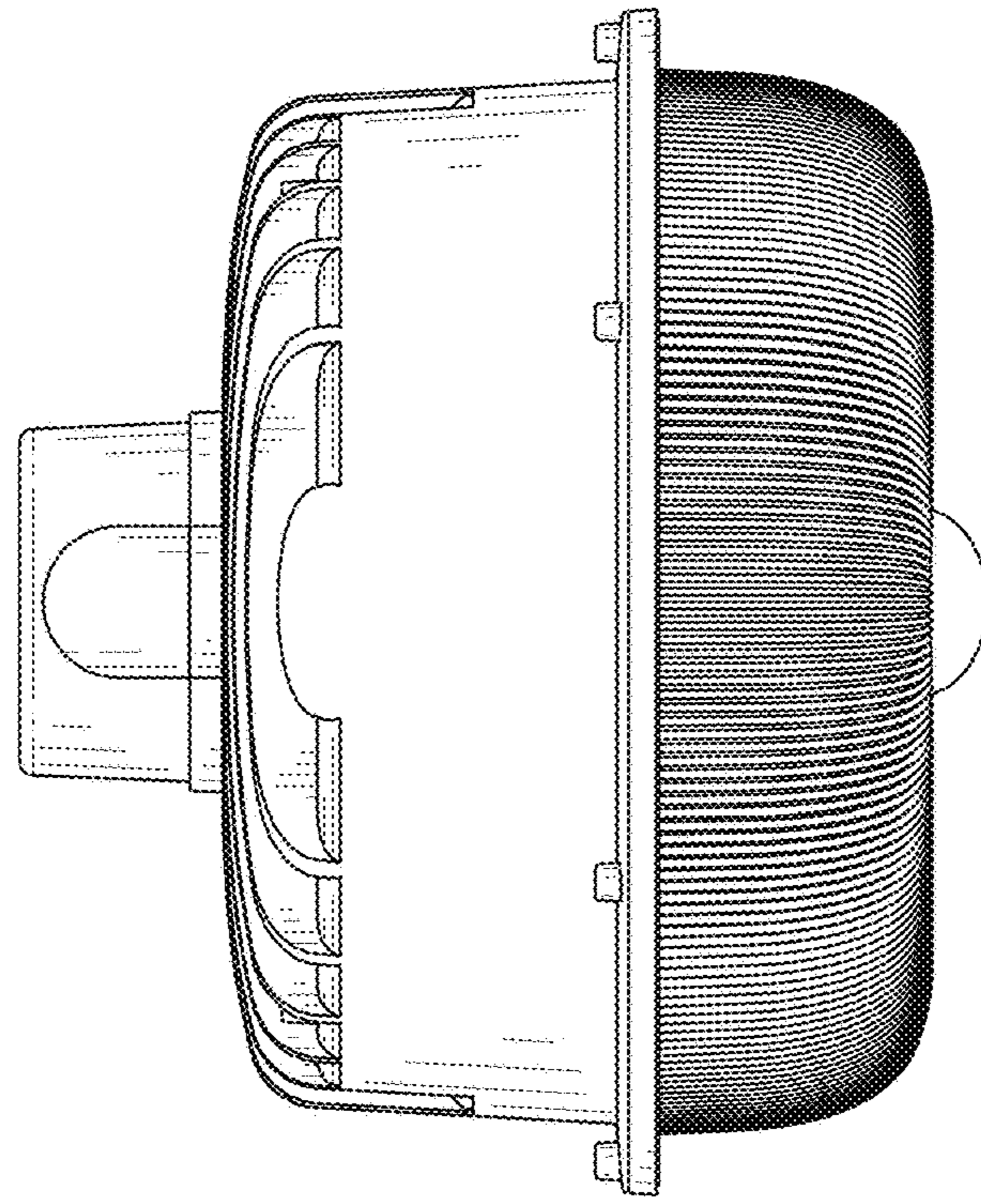


FIG. 3

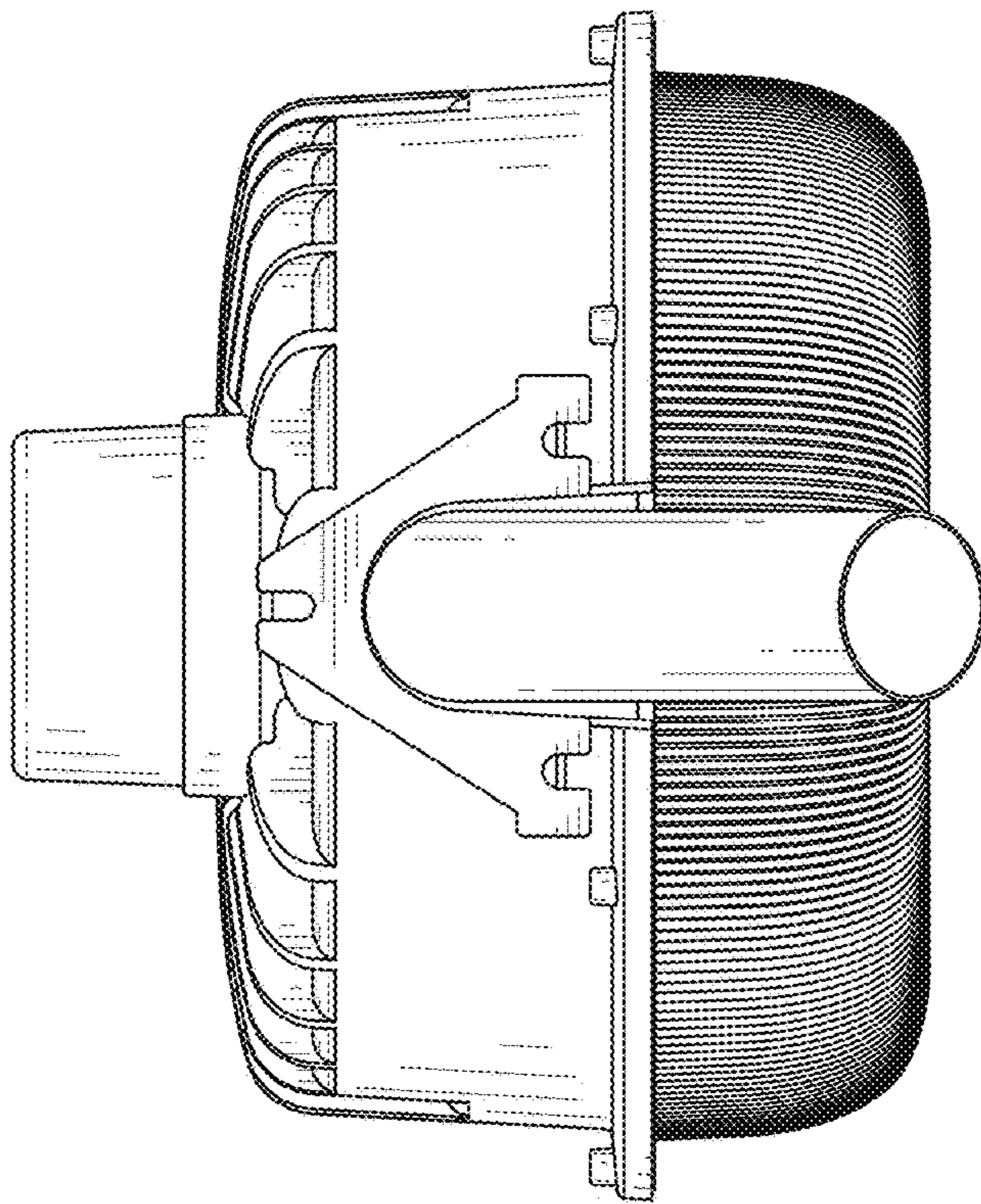


FIG. 4

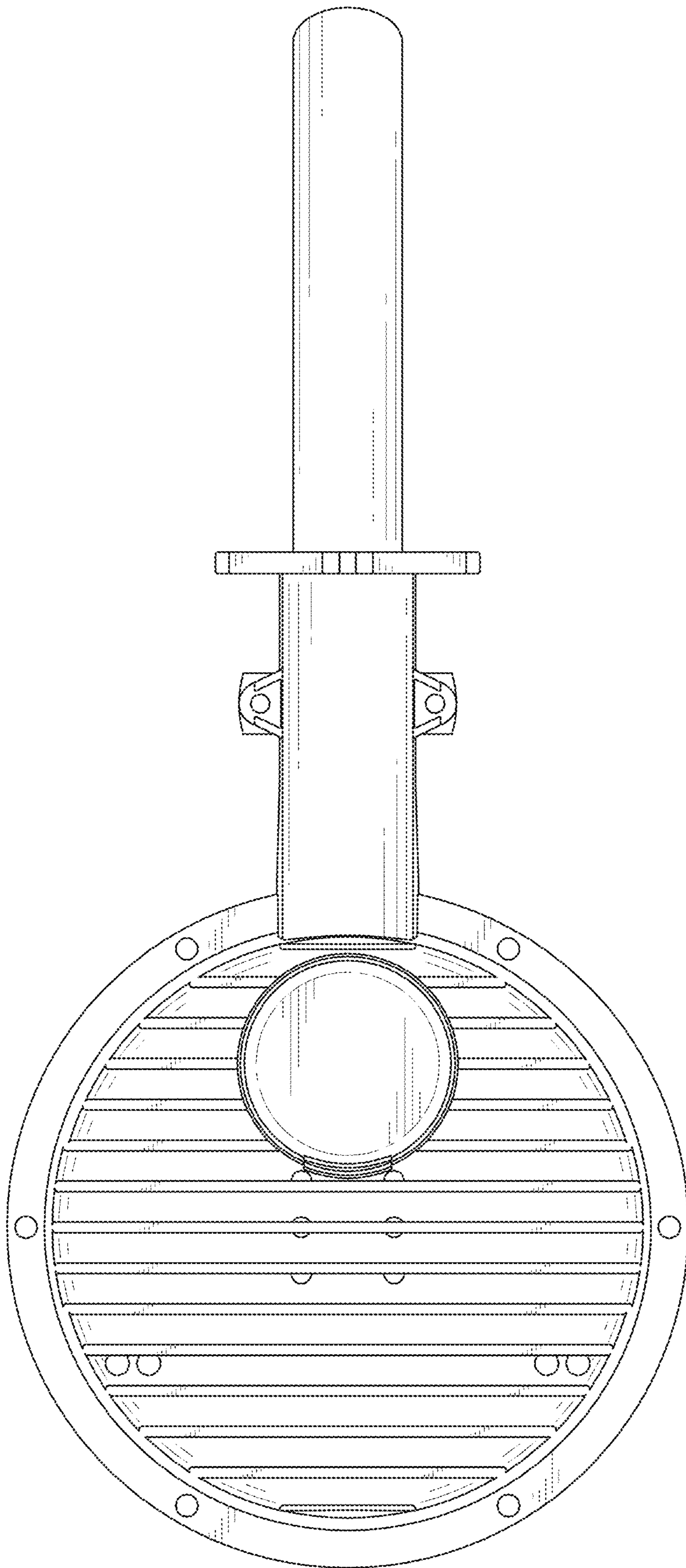


FIG. 5



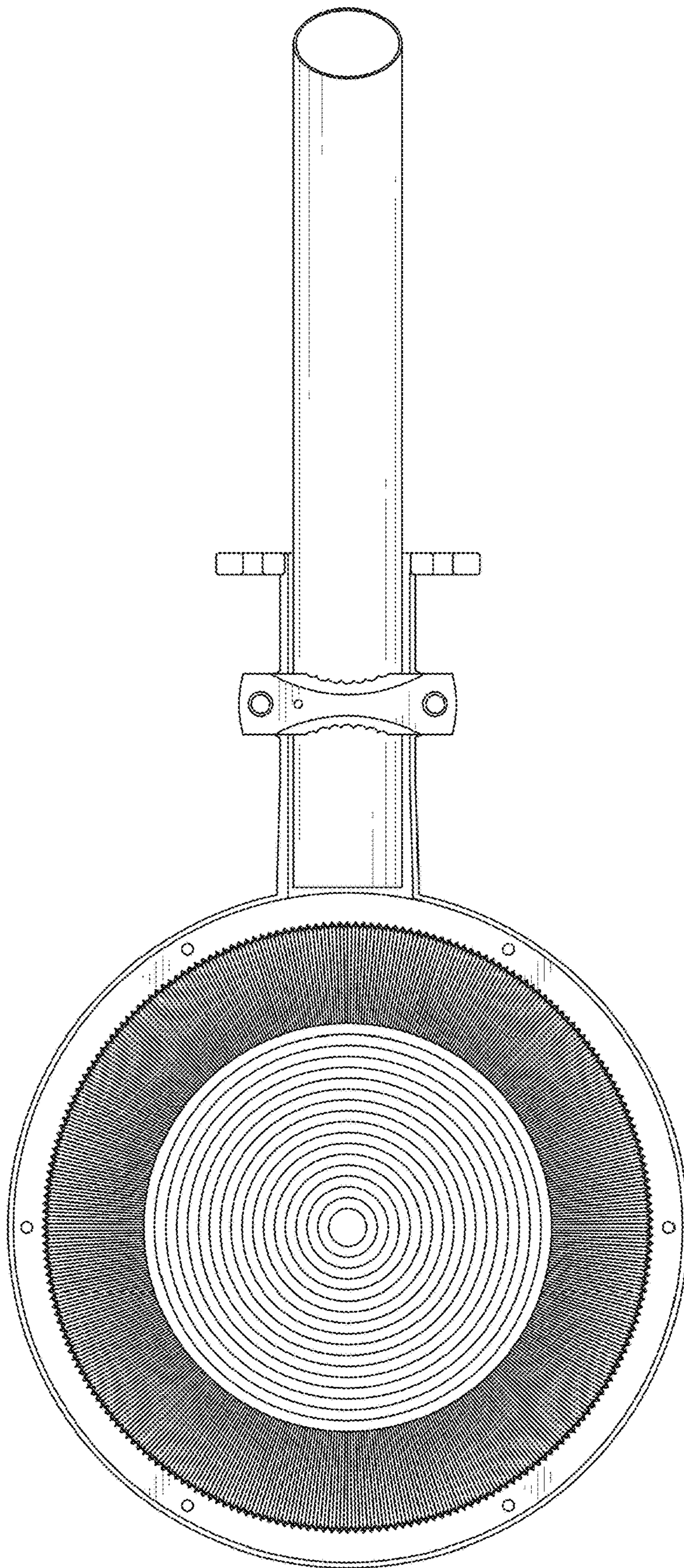


FIG. 6

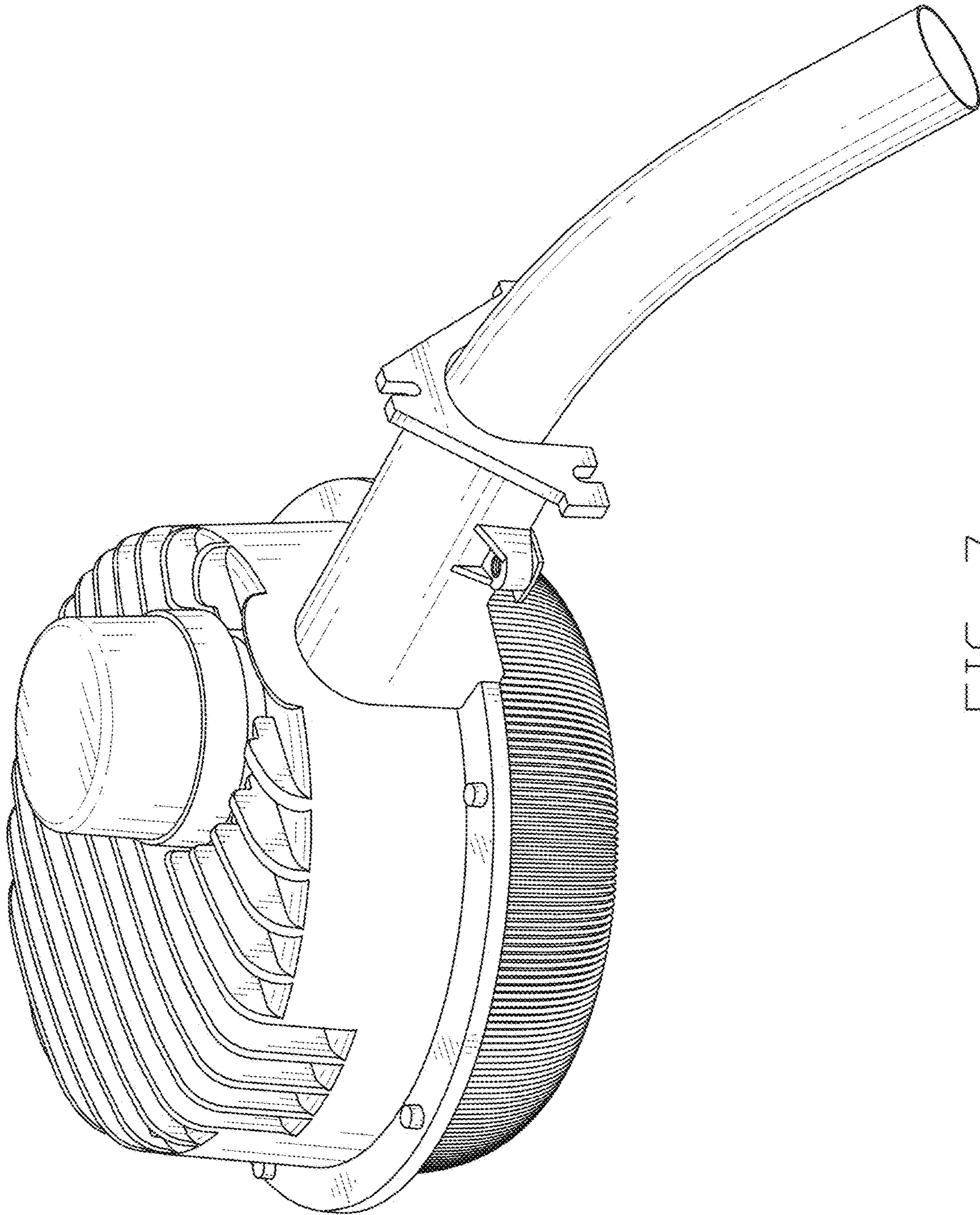


FIG. 7



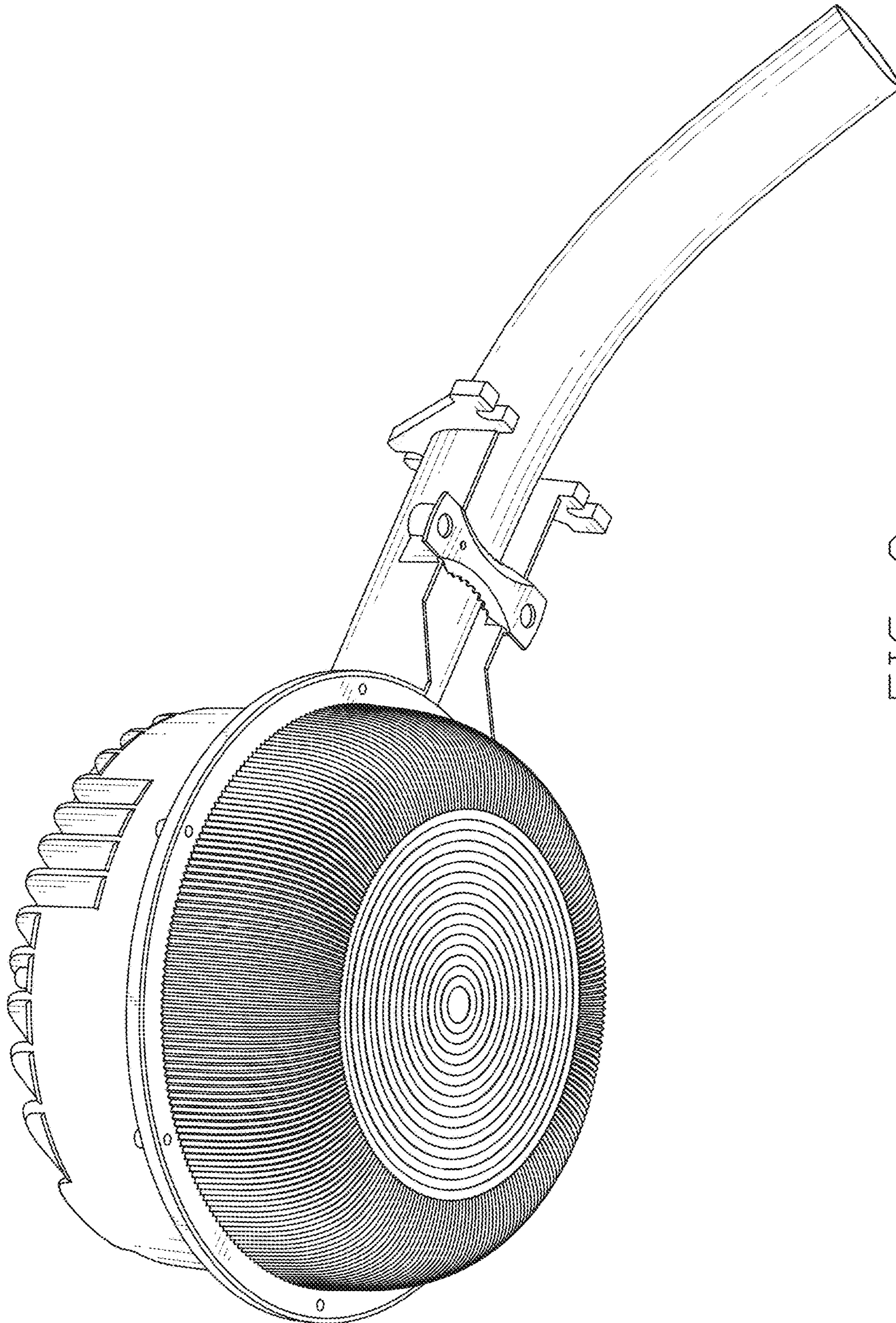


FIG. 8