



US00D840080S

(12) **United States Design Patent** (10) **Patent No.:** **US D840,080 S**
Yu (45) **Date of Patent:** **** Feb. 5, 2019**

(54) **LED LIGHTING FIXTURE**

(71) Applicant: **Shenzhen Yaorong Technology Co., Ltd**, Shenzhen (CN)

(72) Inventor: **Huanhuan Yu**, Shenzhen (CN)

(73) Assignee: **Shenzhen Yaorong Technology CO., LTD.** (CN)

(**) Term: **15 Years**

(21) Appl. No.: **29/576,022**

(22) Filed: **Aug. 31, 2016**

(30) **Foreign Application Priority Data**

Mar. 12, 2016 (CN) 2016 3 0069641

(51) **LOC (11) Cl.** **26-05**

(52) **U.S. Cl.**
USPC **D26/68**

(58) **Field of Classification Search**
USPC D26/67-71, 87, 92, 118
CPC F21S 8/032; F21S 8/08; F21S 8/081; F21S 8/083; F21S 8/085; F21S 8/088; F21S 6/004; F21S 9/03; F21S 9/032; F21S 9/035; F21S 9/037; F21S 13/10; F21W 2131/10; F21W 2131/107; F21W 2131/109; F21W 2111/023; F21V 21/0824; F21V 7/041

See application file for complete search history.

(56) **References Cited**

U.S. PATENT DOCUMENTS

D199,077 S * 9/1964 Turner et al. D26/67
D199,078 S * 9/1964 Turner et al. D26/67

D529,653 S * 10/2006 Galipeau D26/67
D592,342 S * 5/2009 Kinnune D26/67
D592,343 S * 5/2009 Wilcox D26/67
D614,789 S * 4/2010 van Klinken D26/67
D615,682 S * 5/2010 van Klinken D26/67
D685,941 S * 7/2013 Boyer D26/67
D695,436 S * 12/2013 Hermansen D26/67
D713,082 S * 9/2014 Hermansen D26/67
D752,268 S * 3/2016 Paz D26/68
2010/0002432 A1* 1/2010 Romano F21V 7/0008
362/235
2011/0305010 A1* 12/2011 Leadford F21S 9/035
362/183

* cited by examiner

Primary Examiner — Clare E Heflin

(74) *Attorney, Agent, or Firm* — PROI Intellectual Property US

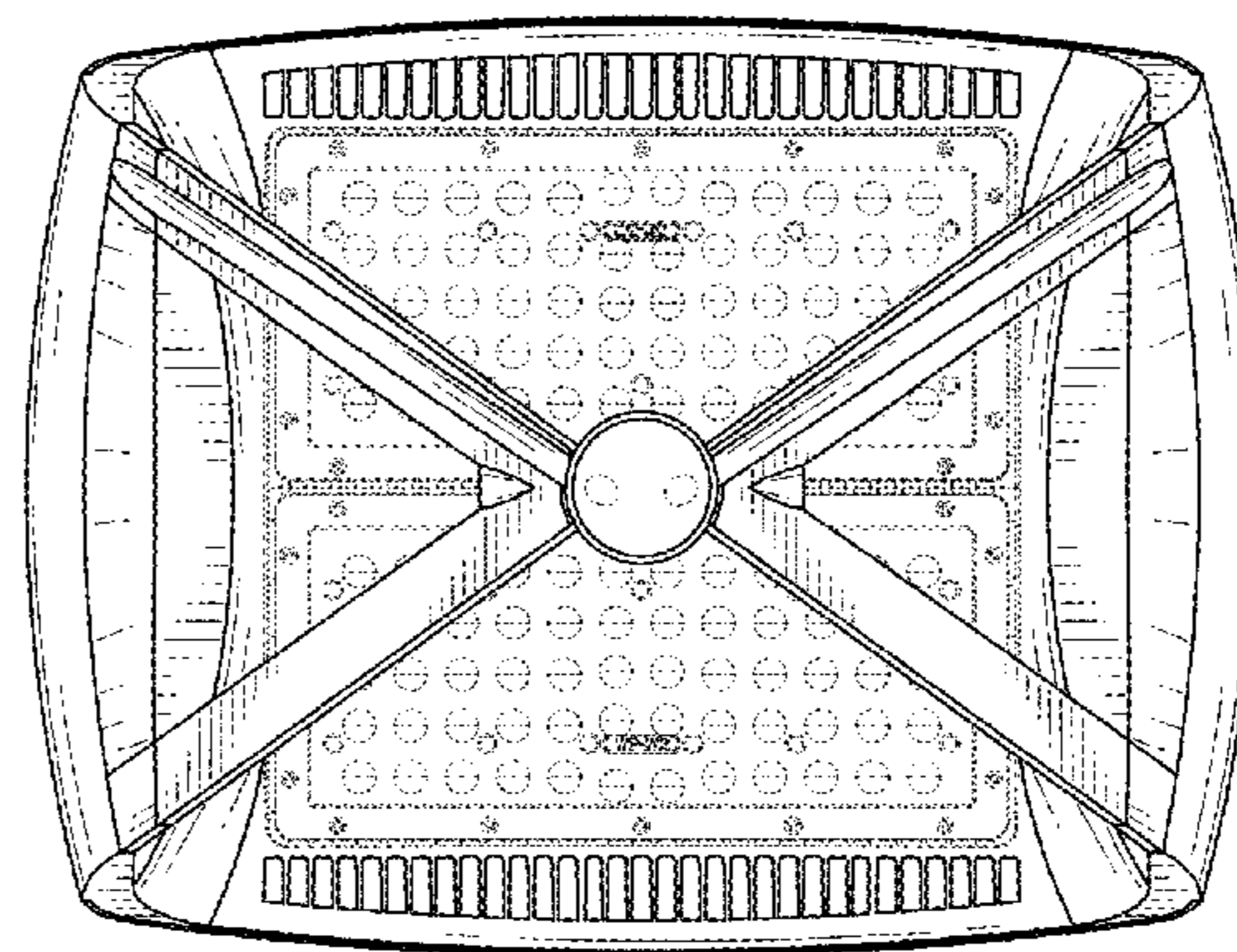
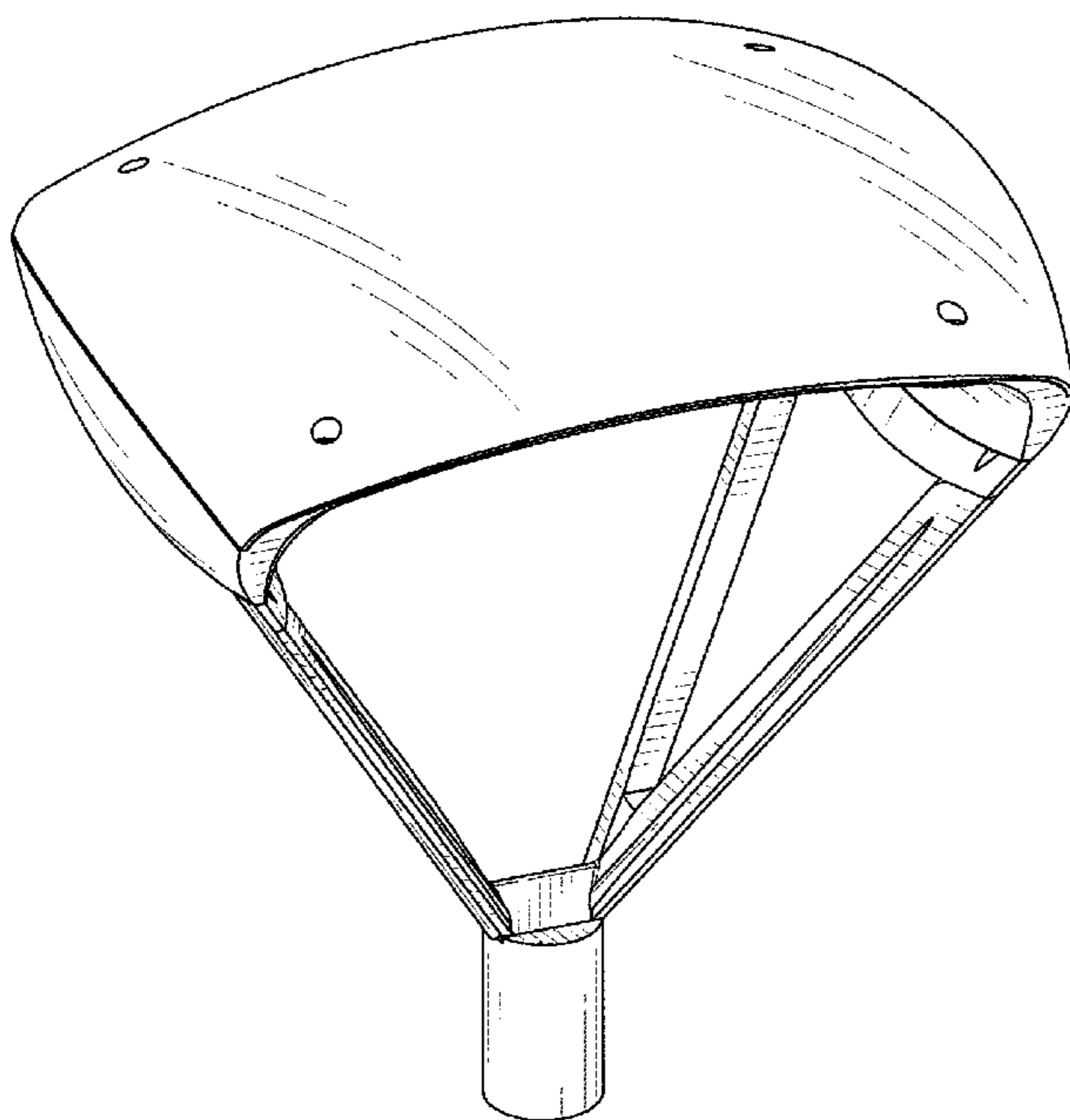
(57) **CLAIM**

The ornamental design for the LED lighting fixture, as shown and described.

DESCRIPTION

FIG. 1 is a perspective view of a LED lighting fixture showing my new design;
FIG. 2 is a front view thereof;
FIG. 3 is a back view thereof;
FIG. 4 is a left side view thereof;
FIG. 5 is a right side view thereof;
FIG. 6 is a downward plan view thereof; and,
FIG. 7 is an upward plan view thereof.
Broken lines are used to illustrate features of the LED lighting fixture which form no part of the claimed design.

1 Claim, 4 Drawing Sheets



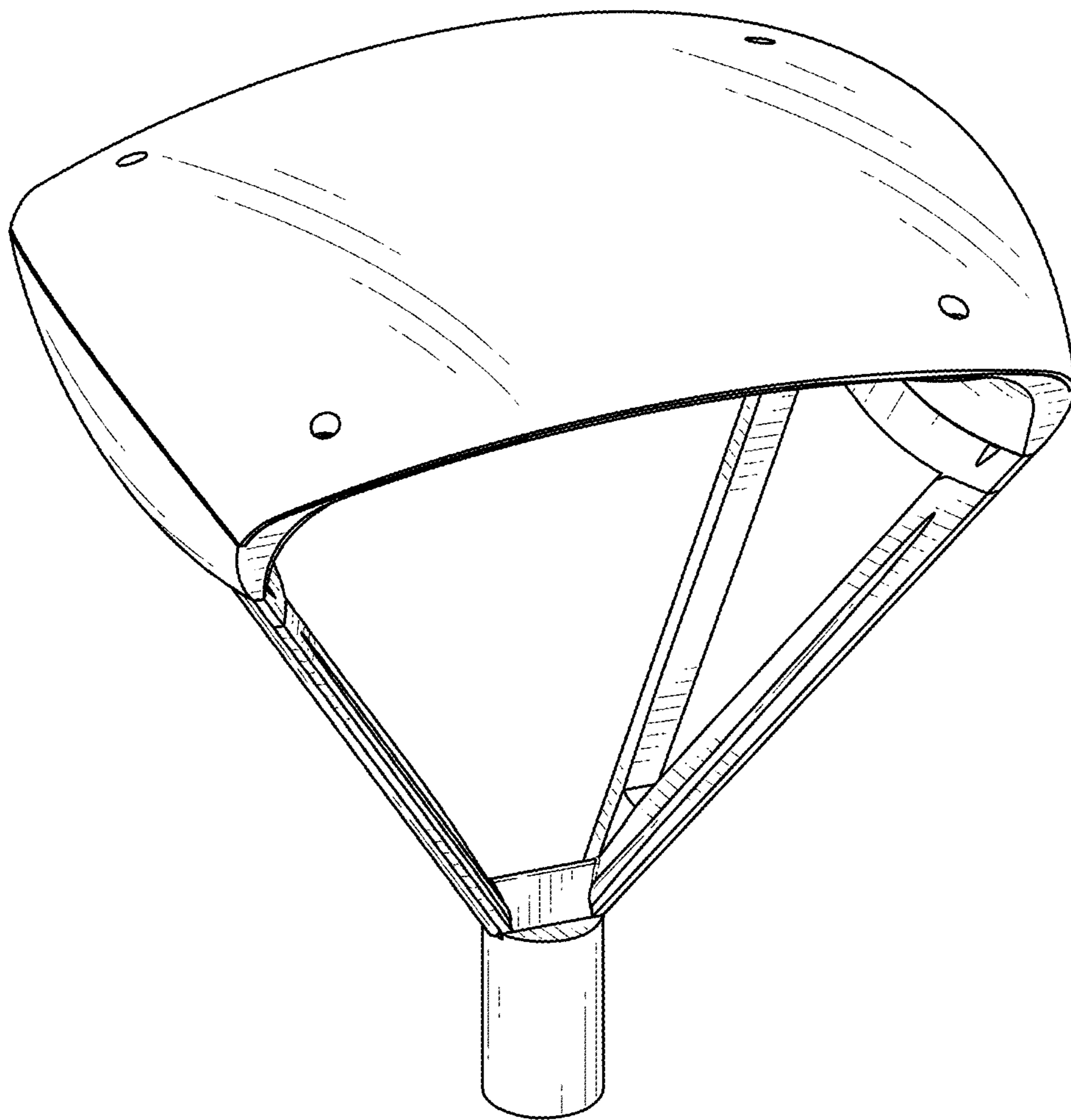


FIG. 1

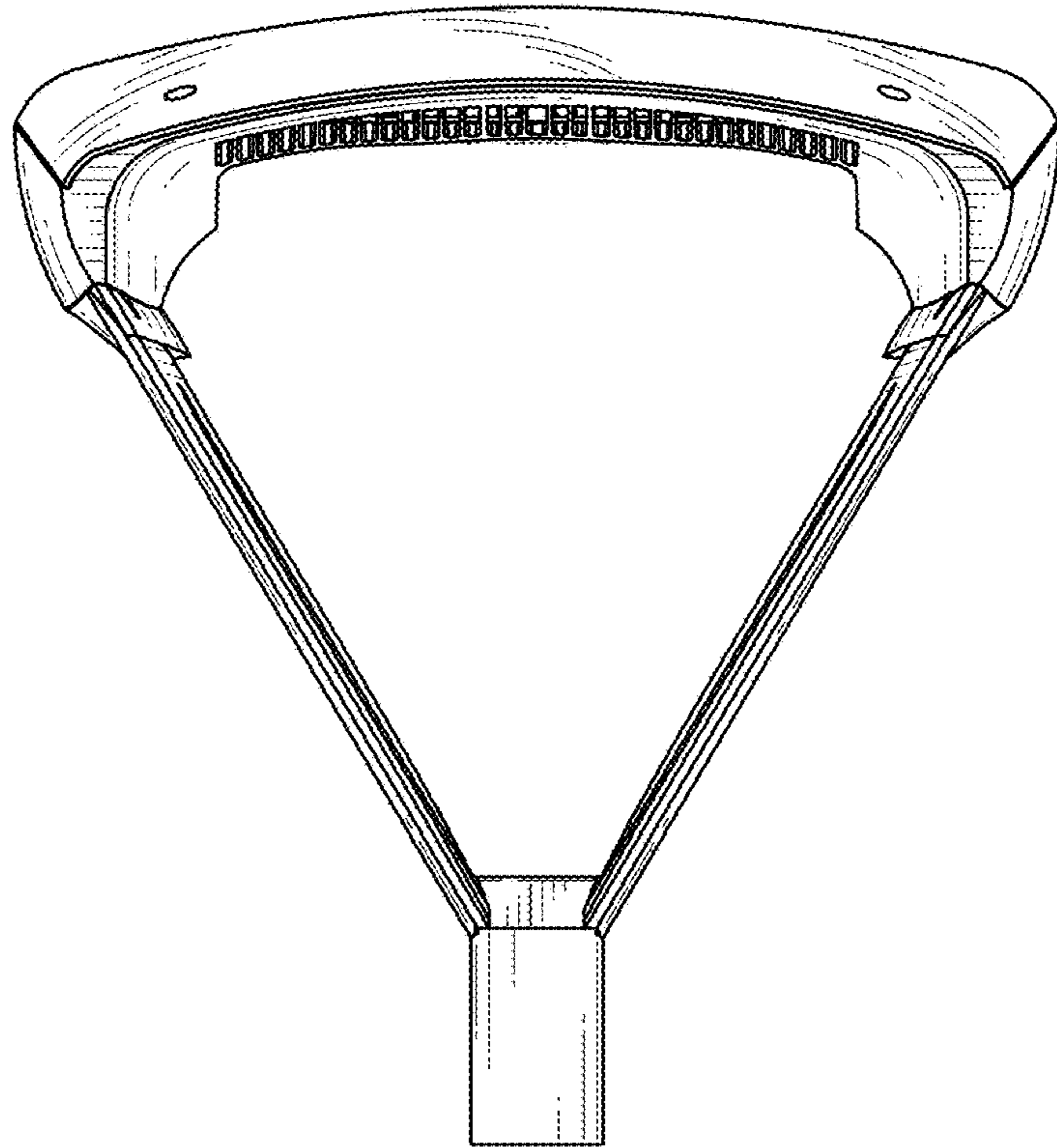


FIG. 2

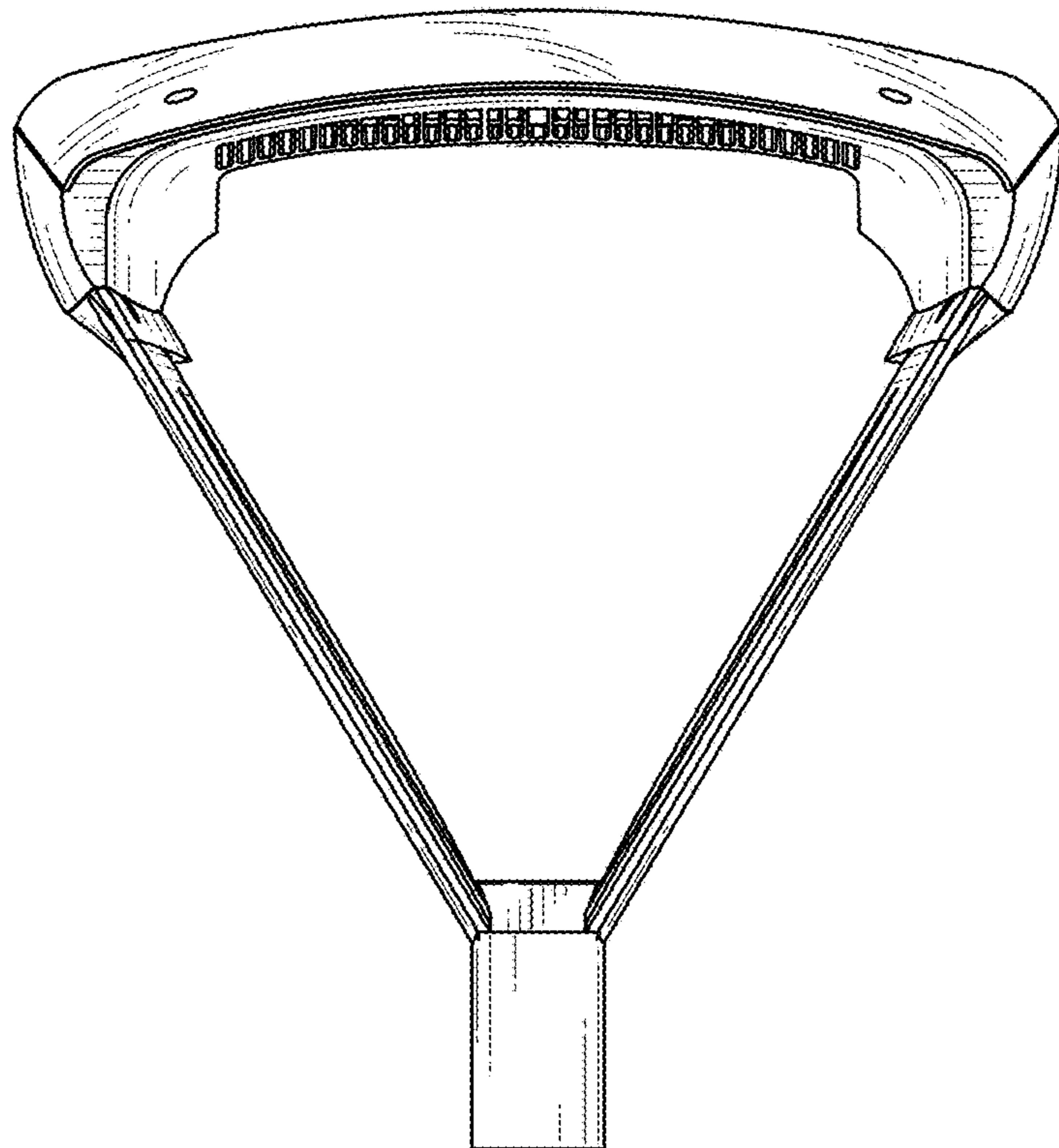


FIG. 3

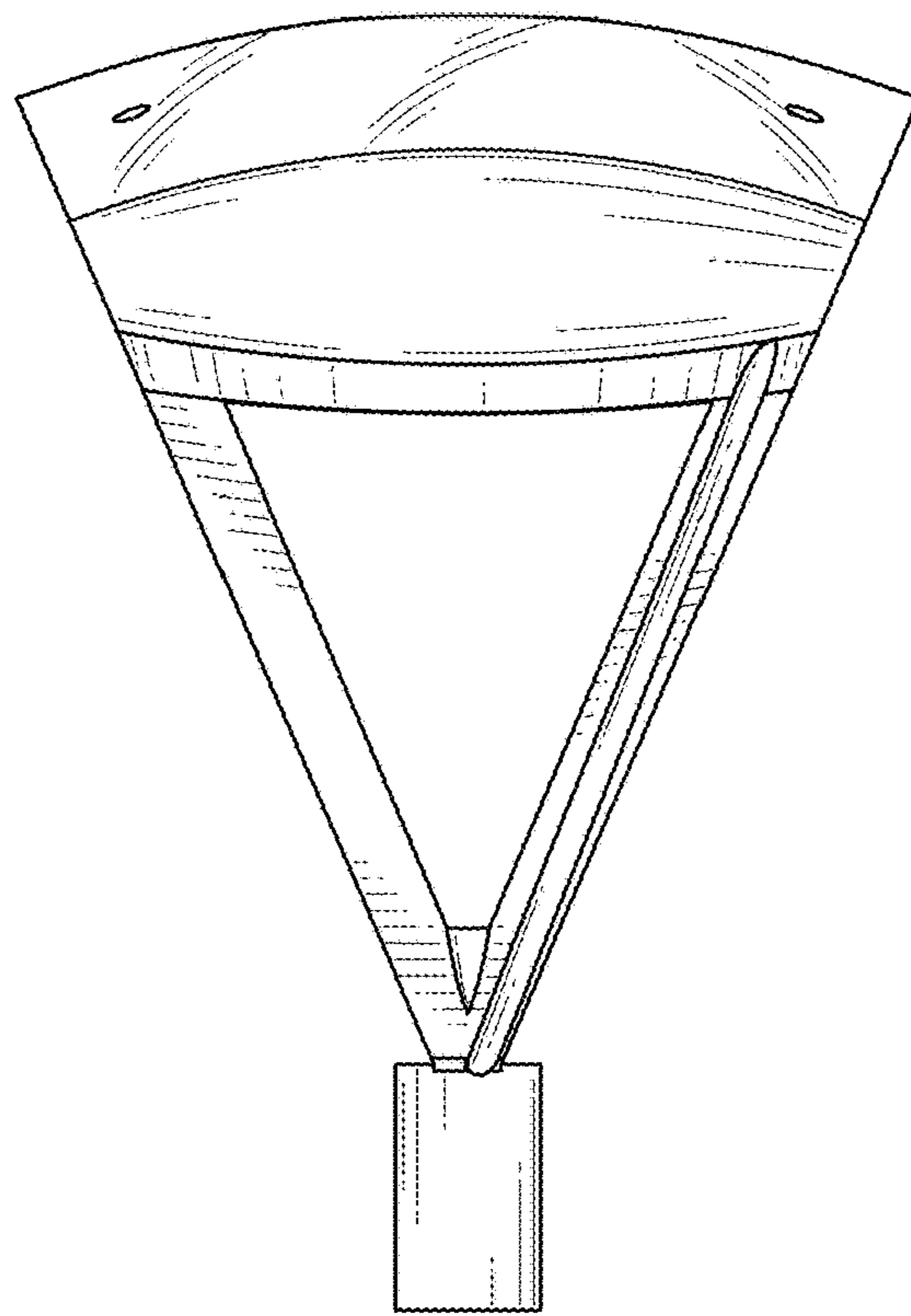


FIG. 4

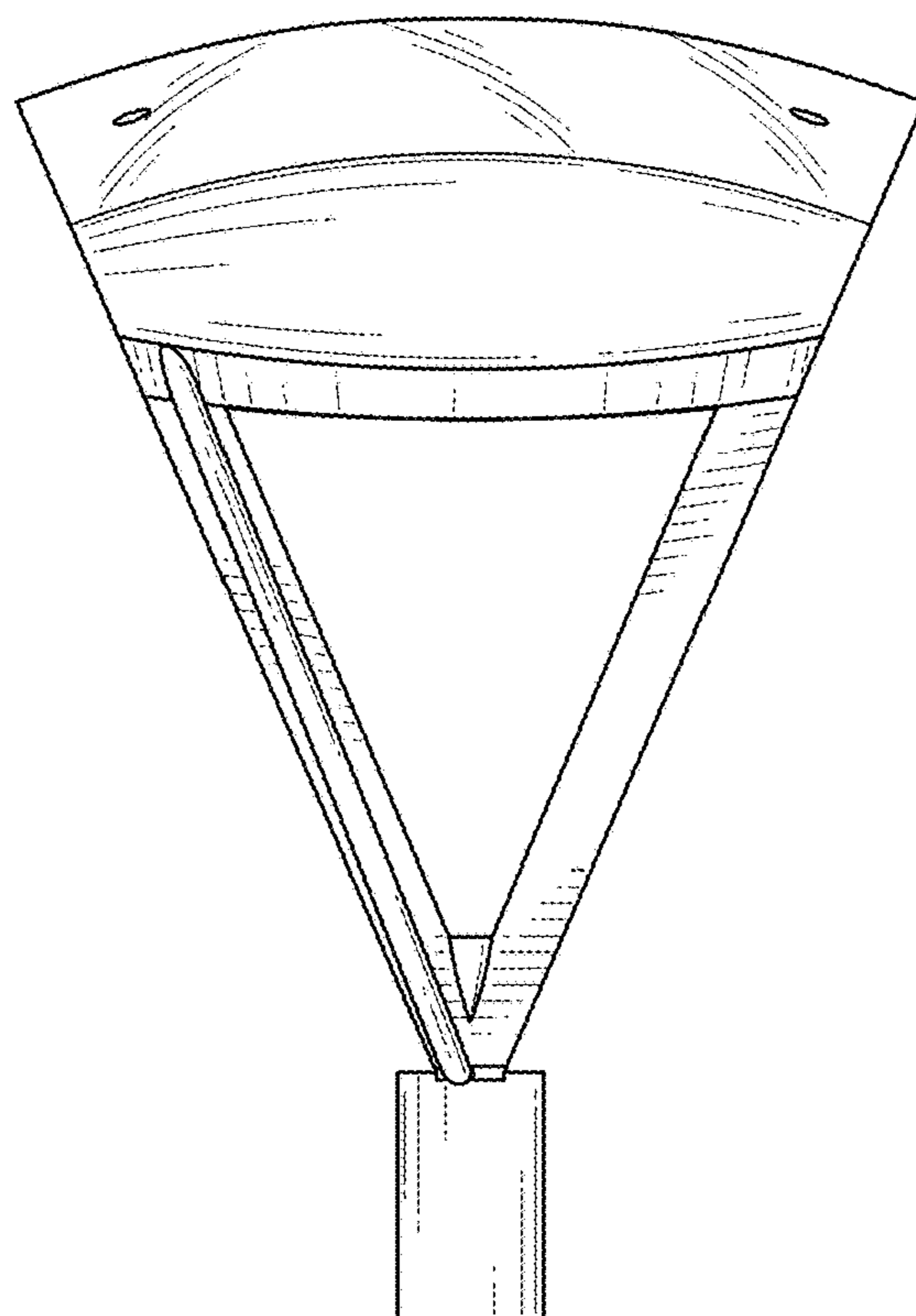


FIG. 5

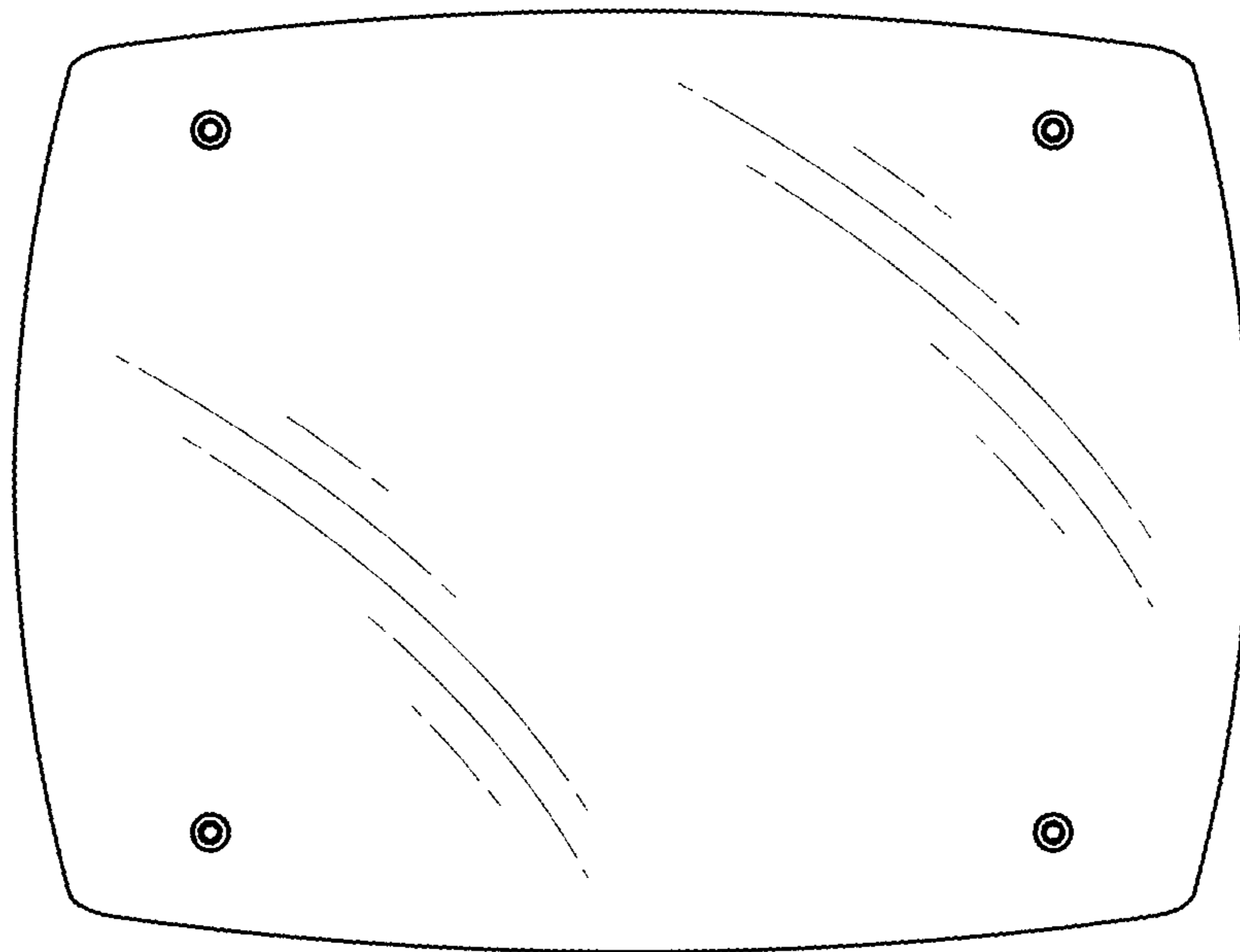


FIG. 6

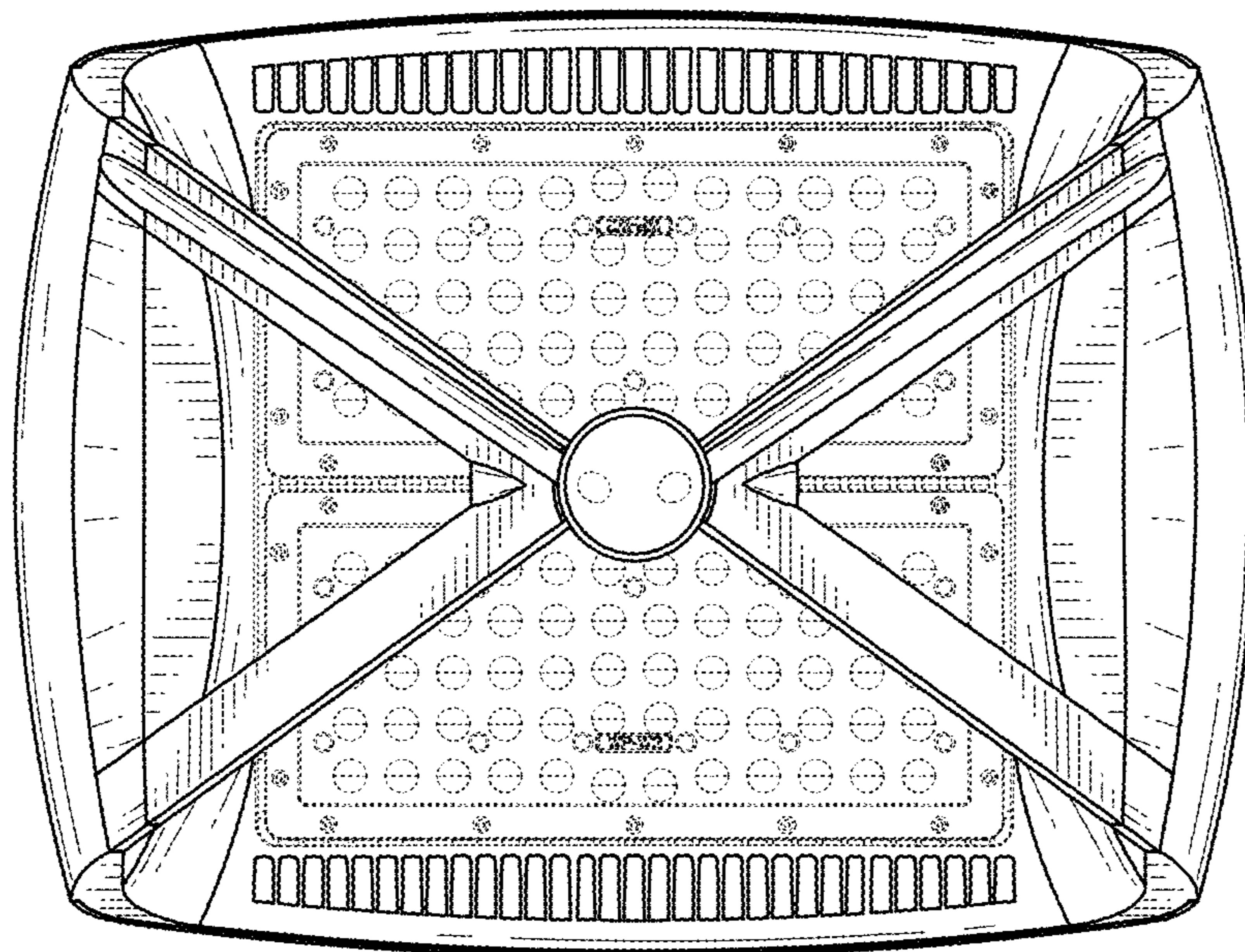


FIG. 7