



US00D840079S

(12) **United States Design Patent**  
**Marshall**

(10) **Patent No.:** **US D840,079 S**

(45) **Date of Patent:** **\*\* Feb. 5, 2019**

(54) **BIKE LIGHT**

(71) Applicant: **NITE IZE, INC.**, Boulder, CO (US)

(72) Inventor: **Byron Alex Marshall**, Overland Park, KS (US)

(73) Assignee: **Nite Ize, Inc.**, Boulder, CO (US)

(\*\*) Term: **15 Years**

(21) Appl. No.: **29/615,924**

(22) Filed: **Aug. 31, 2017**

(51) **LOC (11) Cl.** ..... **26-02**

(52) **U.S. Cl.**  
USPC ..... **D26/60; D26/28**

(58) **Field of Classification Search**  
USPC ..... D26/28, 60  
CPC ..... F21V 21/35; F21V 21/104; F21V 23/02;  
F21V 23/06; F21S 2/005; F21S 8/061;  
F21S 8/063  
See application file for complete search history.

(56) **References Cited**

**U.S. PATENT DOCUMENTS**

D605,791 S \* 12/2009 Huschke ..... D26/28  
D608,038 S \* 1/2010 Chan ..... D26/60

D641,092 S \* 7/2011 Okuda ..... D26/28  
D707,868 S \* 6/2014 Lee ..... D26/39  
D746,501 S \* 12/2015 Chen ..... D26/28  
D788,343 S \* 5/2017 Sonneman ..... D26/60  
D810,330 S \* 2/2018 Sibitzky ..... D26/28  
D810,339 S \* 2/2018 Peng ..... D26/60  
D812,788 S \* 3/2018 Sibitzky ..... D26/28

\* cited by examiner

*Primary Examiner* — Brian N. Vinson

(74) *Attorney, Agent, or Firm* — Haynes and Boone, LLP

(57) **CLAIM**

The ornamental design for the bike light, as shown and described.

**DESCRIPTION**

FIG. 1 shows a front perspective view of a bike light; FIG. 2 shows a rear perspective view of the bike light of FIG. 1; FIG. 3 shows a front view of the bike light of FIG. 1; FIG. 4 shows a rear view of the bike light of FIG. 1; FIG. 5 shows a top view of the bike light of FIG. 1; FIG. 6 shows a bottom view of the bike light of FIG. 1; FIG. 7 shows a right side view of the bike light of FIG. 1; and, FIG. 8 shows a left side view of the bike light of FIG. 1.

**1 Claim, 8 Drawing Sheets**

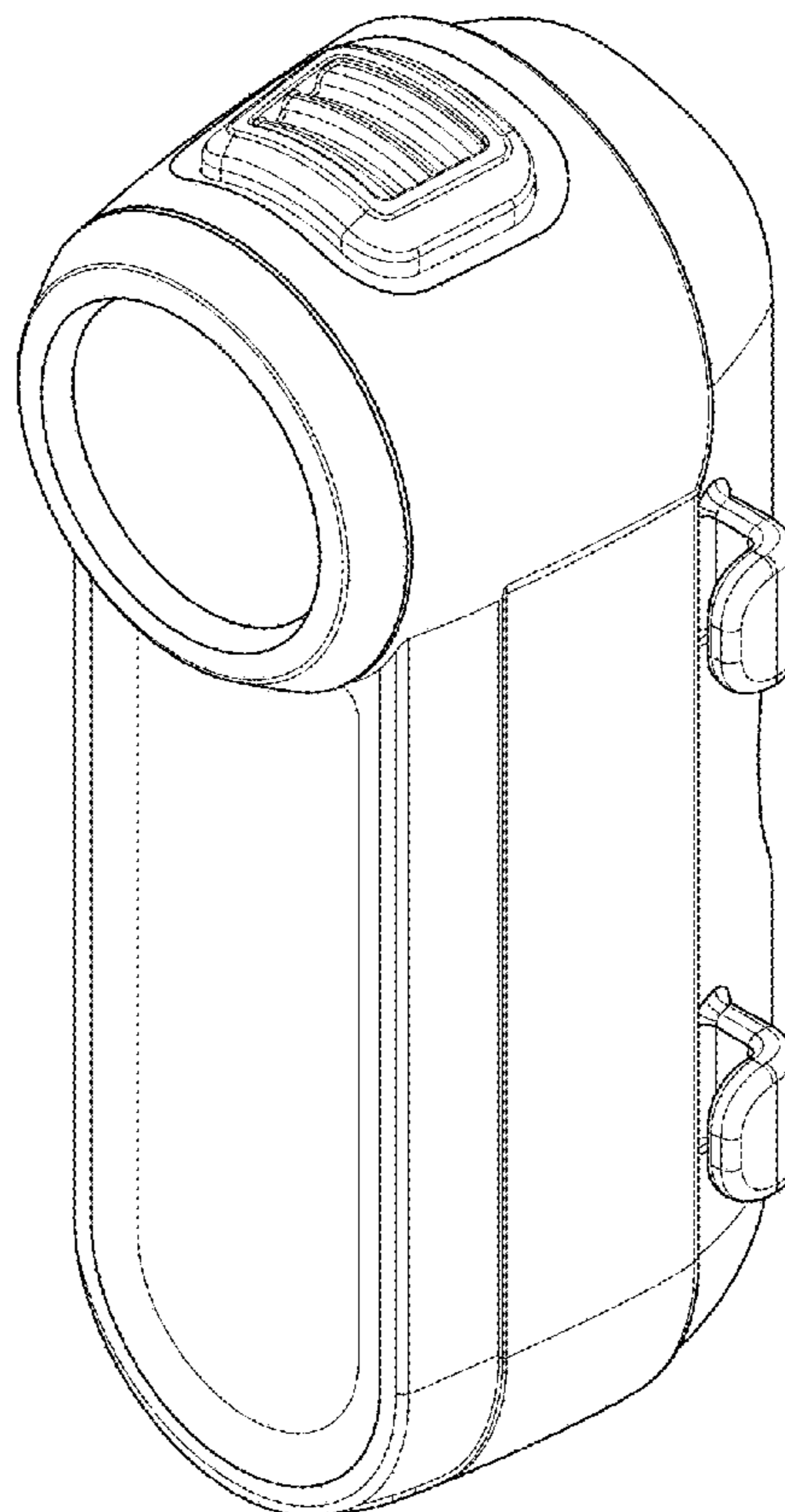


FIG. 1

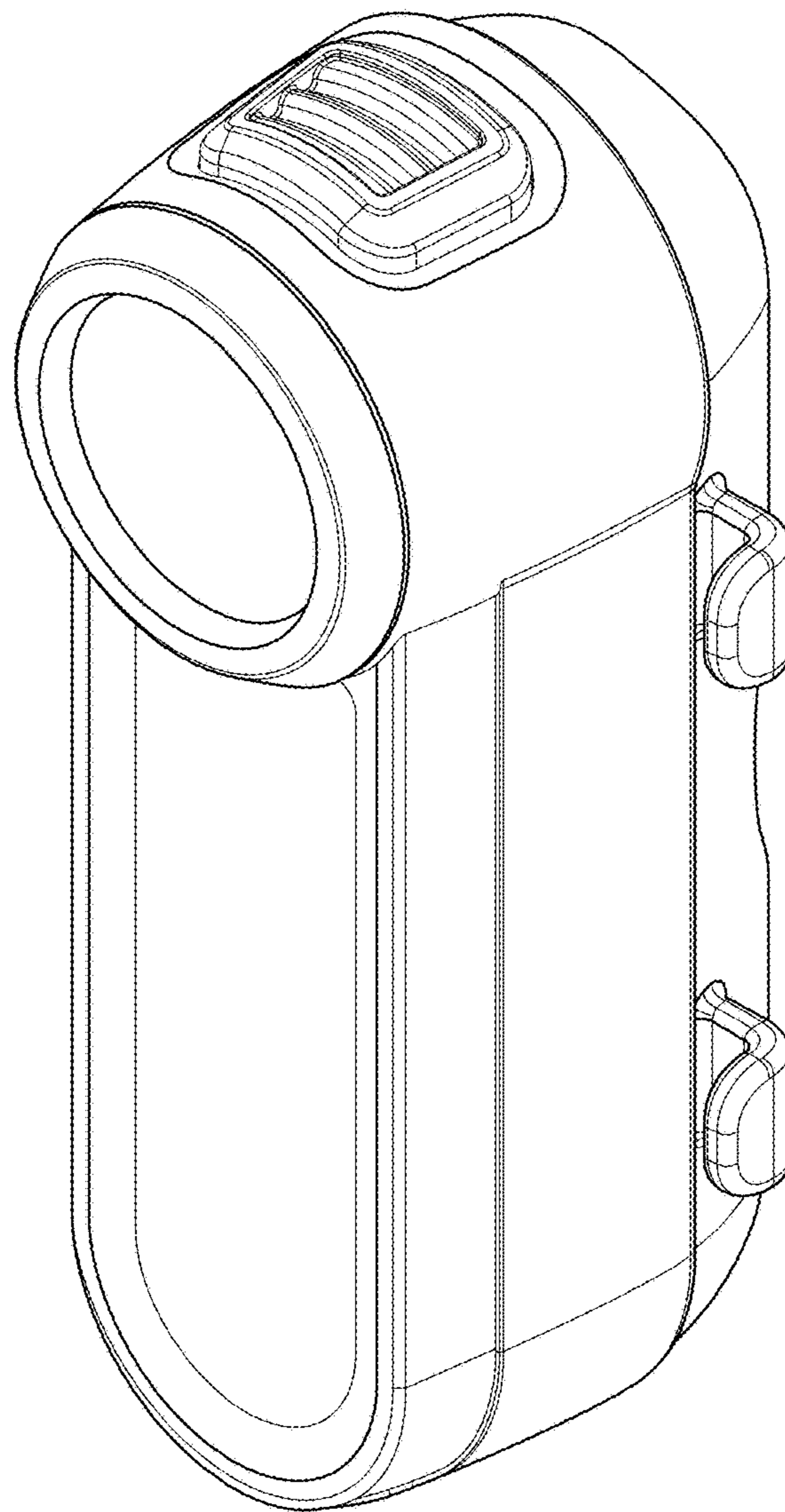


FIG. 2

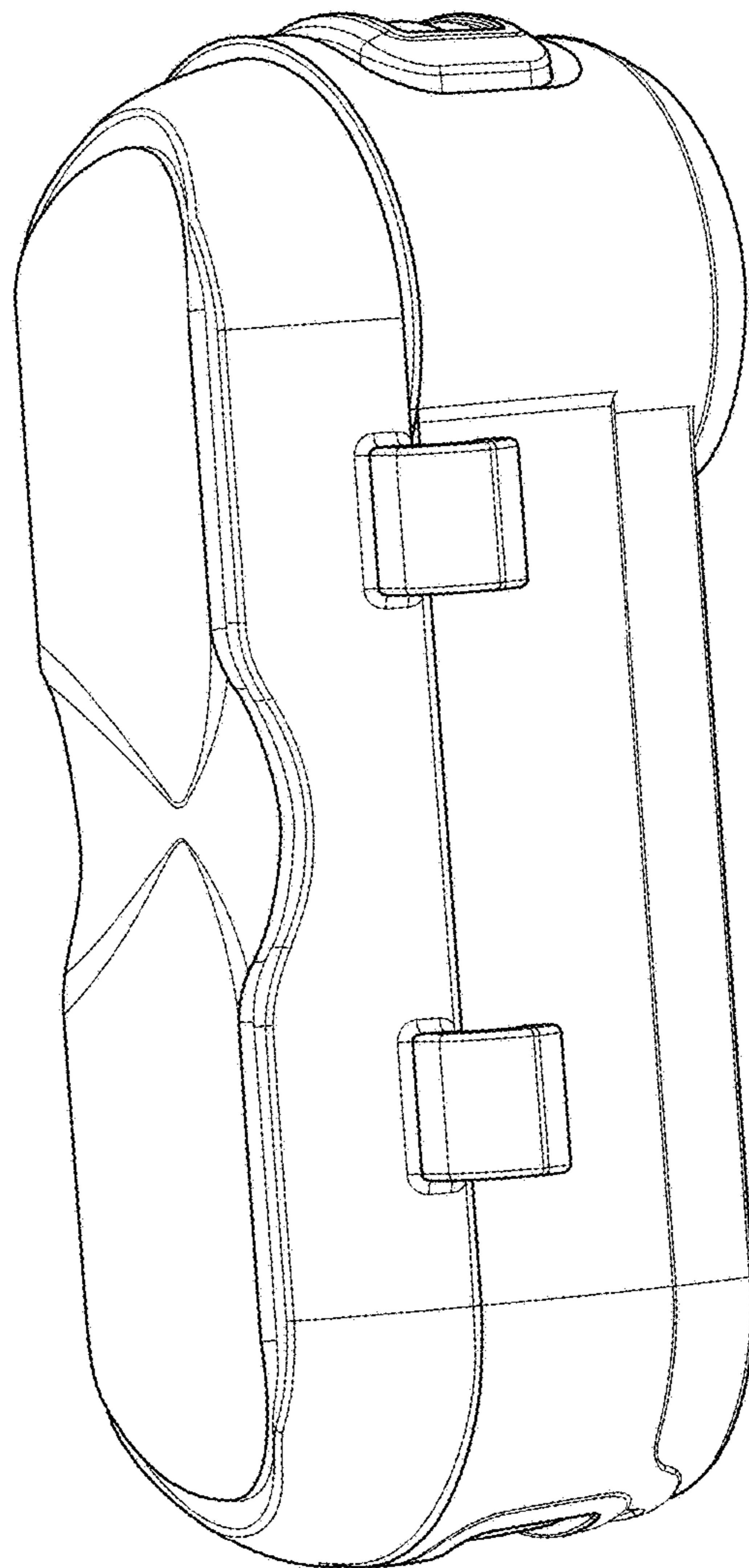


FIG. 3

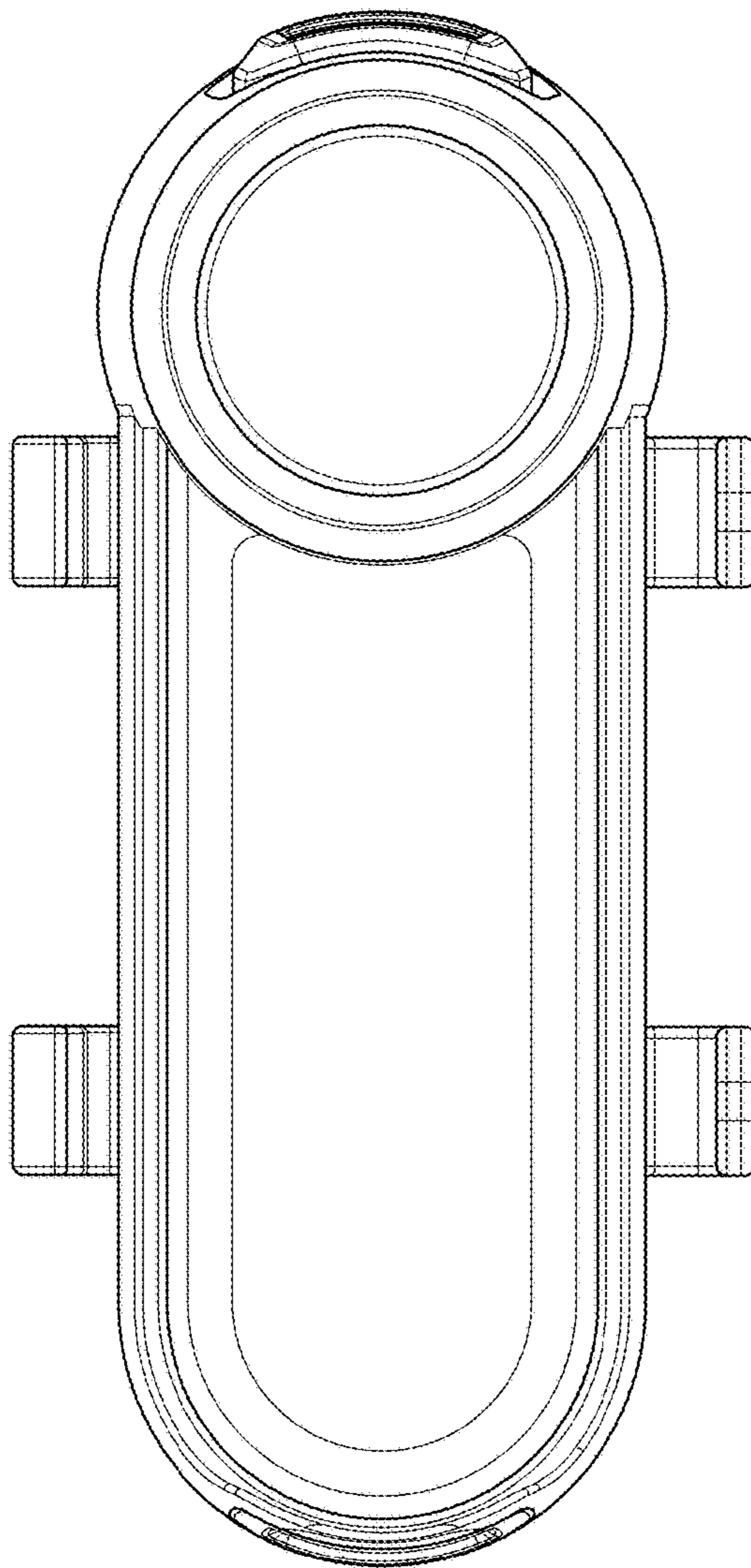


FIG. 4

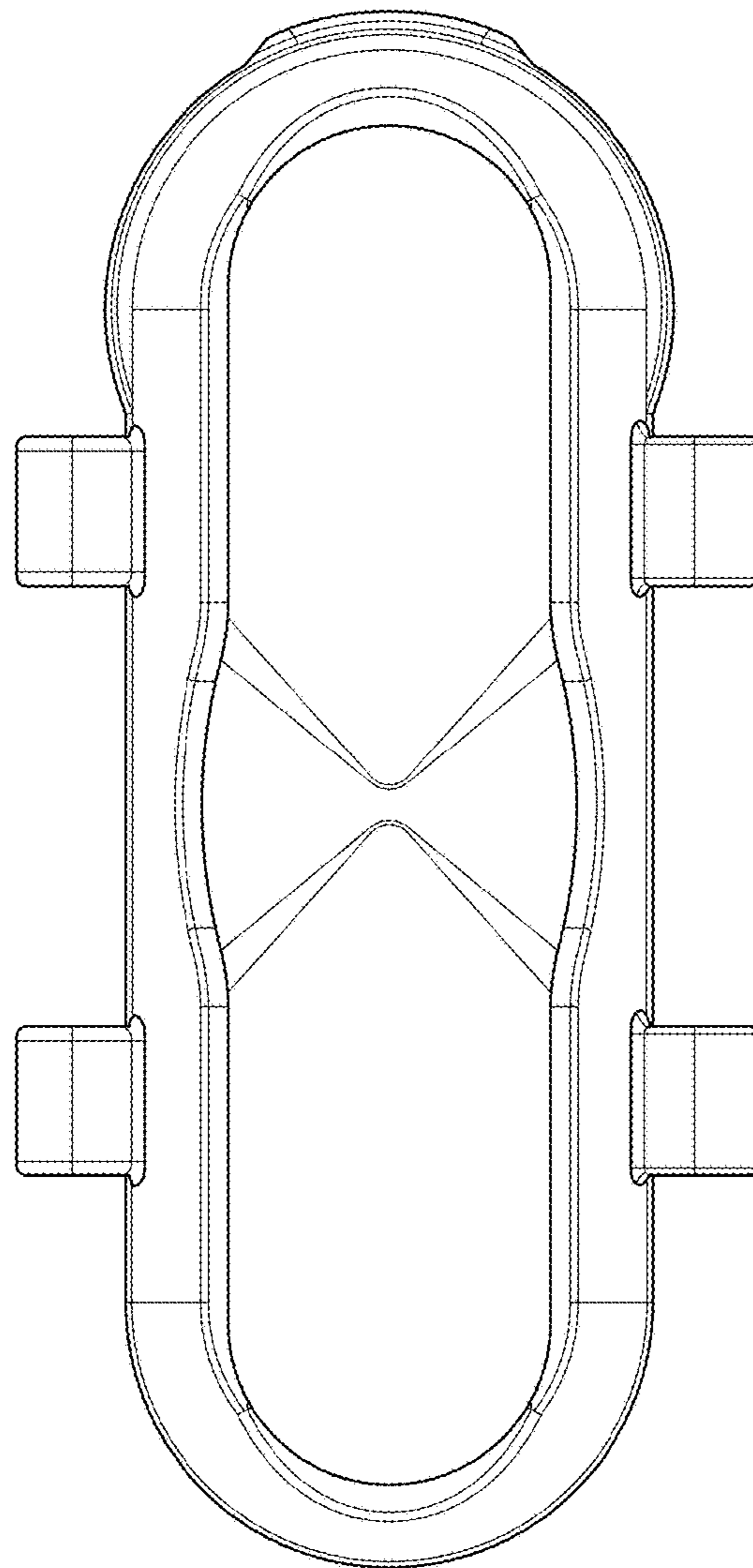


FIG. 5

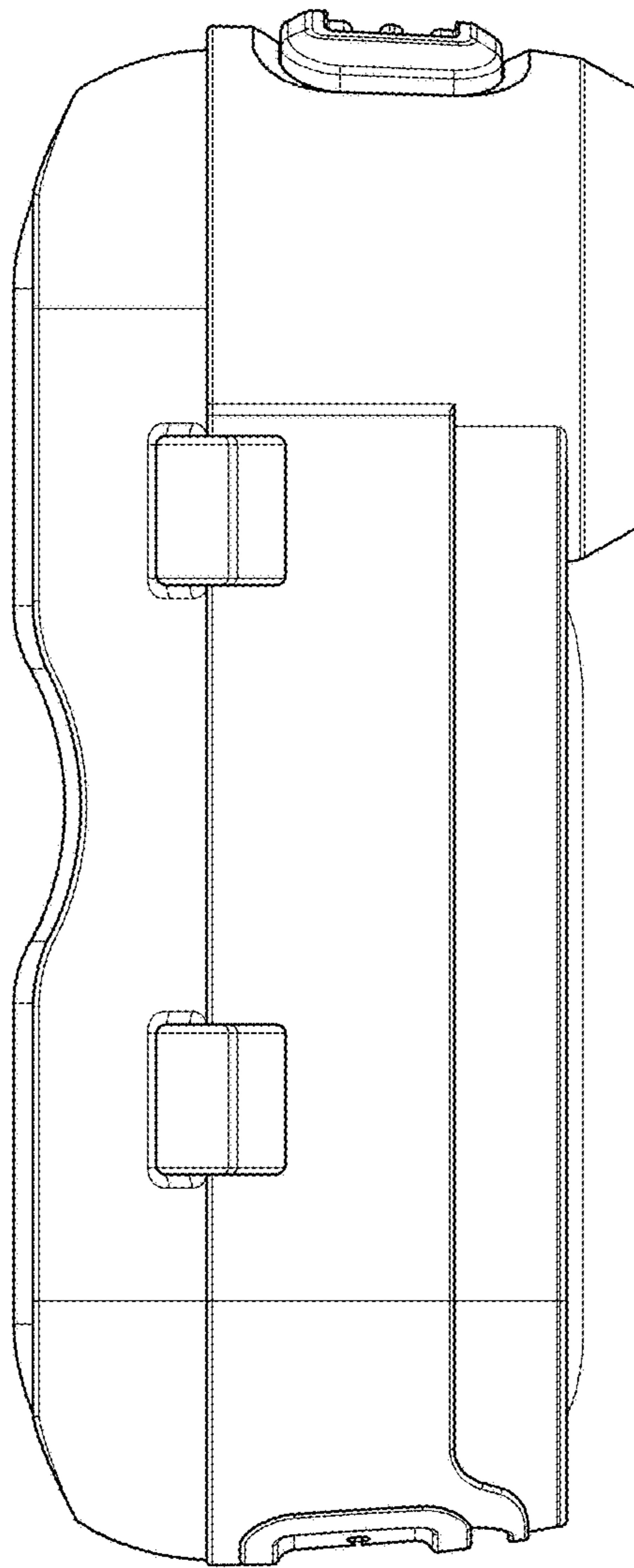


FIG. 6

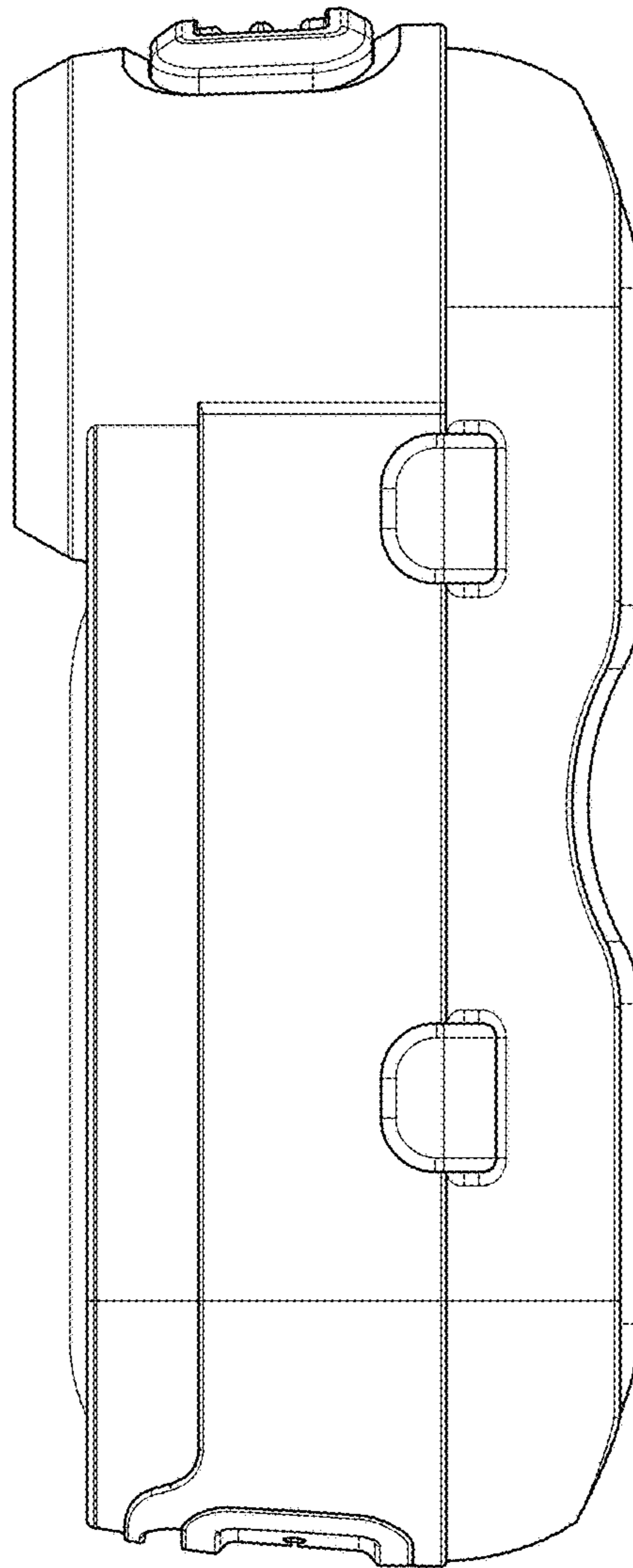


FIG. 7

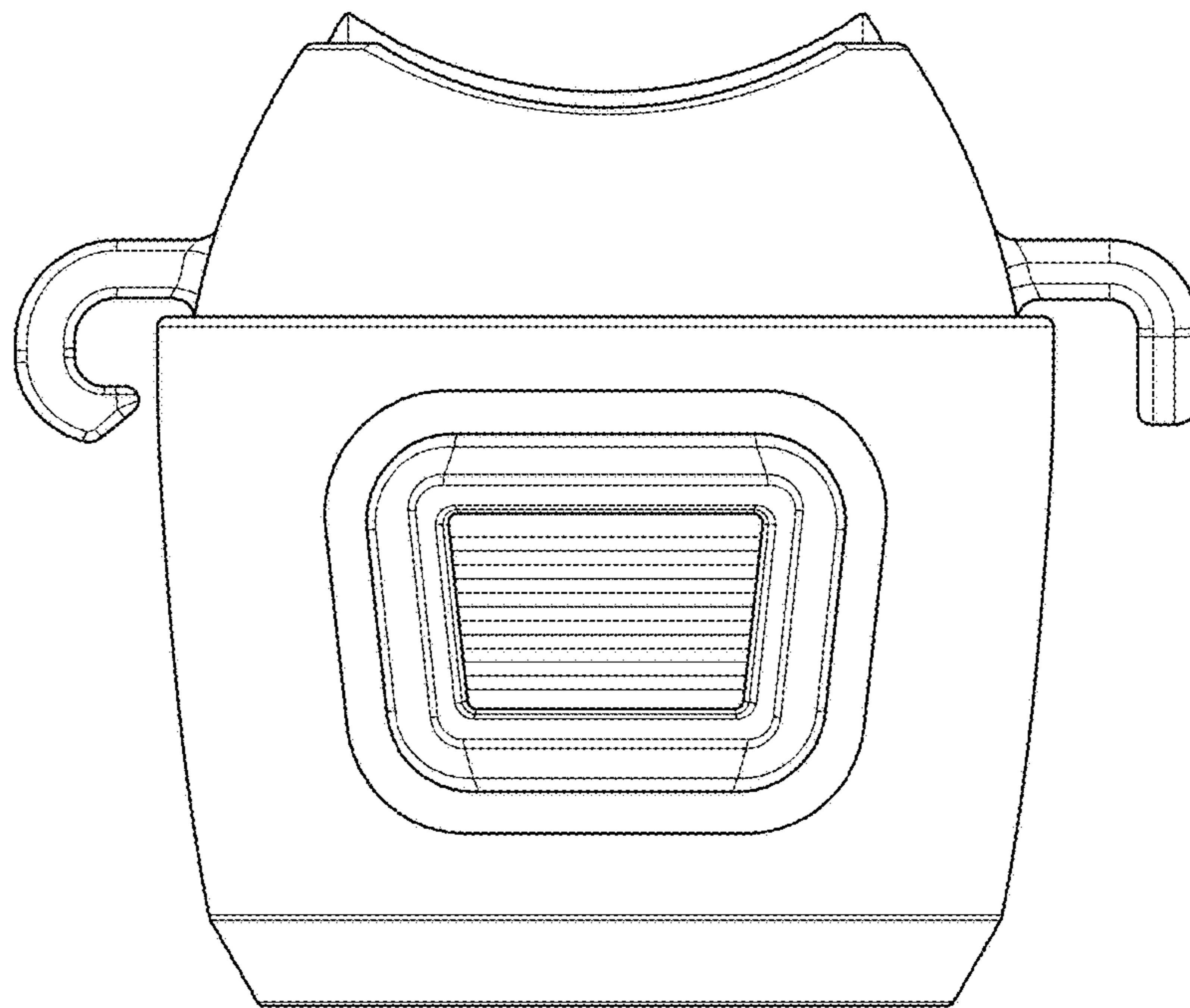




FIG. 8

