



US00D840078S

(12) **United States Design Patent**
Marshall

(10) **Patent No.:** **US D840,078 S**

(45) **Date of Patent:** **** Feb. 5, 2019**

(54) **BIKE LIGHT**

(71) Applicant: **NITE IZE, INC.**, Boulder, CO (US)

(72) Inventor: **Byron Alex Marshall**, Overland Park, KS (US)

(73) Assignee: **Nite Ize, Inc.**, Boulder, CO (US)

(**) Term: **15 Years**

(21) Appl. No.: **29/615,921**

(22) Filed: **Aug. 31, 2017**

(51) **LOC (11) Cl.** **26-02**

(52) **U.S. Cl.**
USPC **D26/60; D26/28**

(58) **Field of Classification Search**
USPC D26/28, 60
CPC F21V 21/35; F21V 21/104; F21V 23/02;
F21V 23/06; F21S 2/005; F21S 8/061;
F21S 8/063

See application file for complete search history.

(56) **References Cited**

U.S. PATENT DOCUMENTS

D605,791 S * 12/2009 Huschke D26/28
D608,038 S * 1/2010 Chan D26/60

D641,092 S * 7/2011 Okuda D26/28
D707,868 S * 6/2014 Lee D26/39
D746,501 S * 12/2015 Chen D26/28
D788,343 S * 5/2017 Sonneman D26/60
D810,330 S * 2/2018 Sibitzky D26/28
D810,339 S * 2/2018 Peng D26/60
D812,788 S * 3/2018 Sibitzky D26/28

* cited by examiner

Primary Examiner — Brian N. Vinson

(74) *Attorney, Agent, or Firm* — Haynes and Boone, LLP

(57) **CLAIM**

The ornamental design for the bike light, as shown and described.

DESCRIPTION

FIG. 1 shows a front perspective view of a bike light;
FIG. 2 shows a rear perspective view of the bike light of FIG. 1;
FIG. 3 shows a front view of the bike light of FIG. 1;
FIG. 4 shows a rear view of the bike light of FIG. 1;
FIG. 5 shows a top view of the bike light of FIG. 1;
FIG. 6 shows a bottom view of the bike light of FIG. 1;
FIG. 7 shows a right side view of the bike light of FIG. 1;
and,
FIG. 8 shows a left side view of the bike light of FIG. 1.

1 Claim, 8 Drawing Sheets

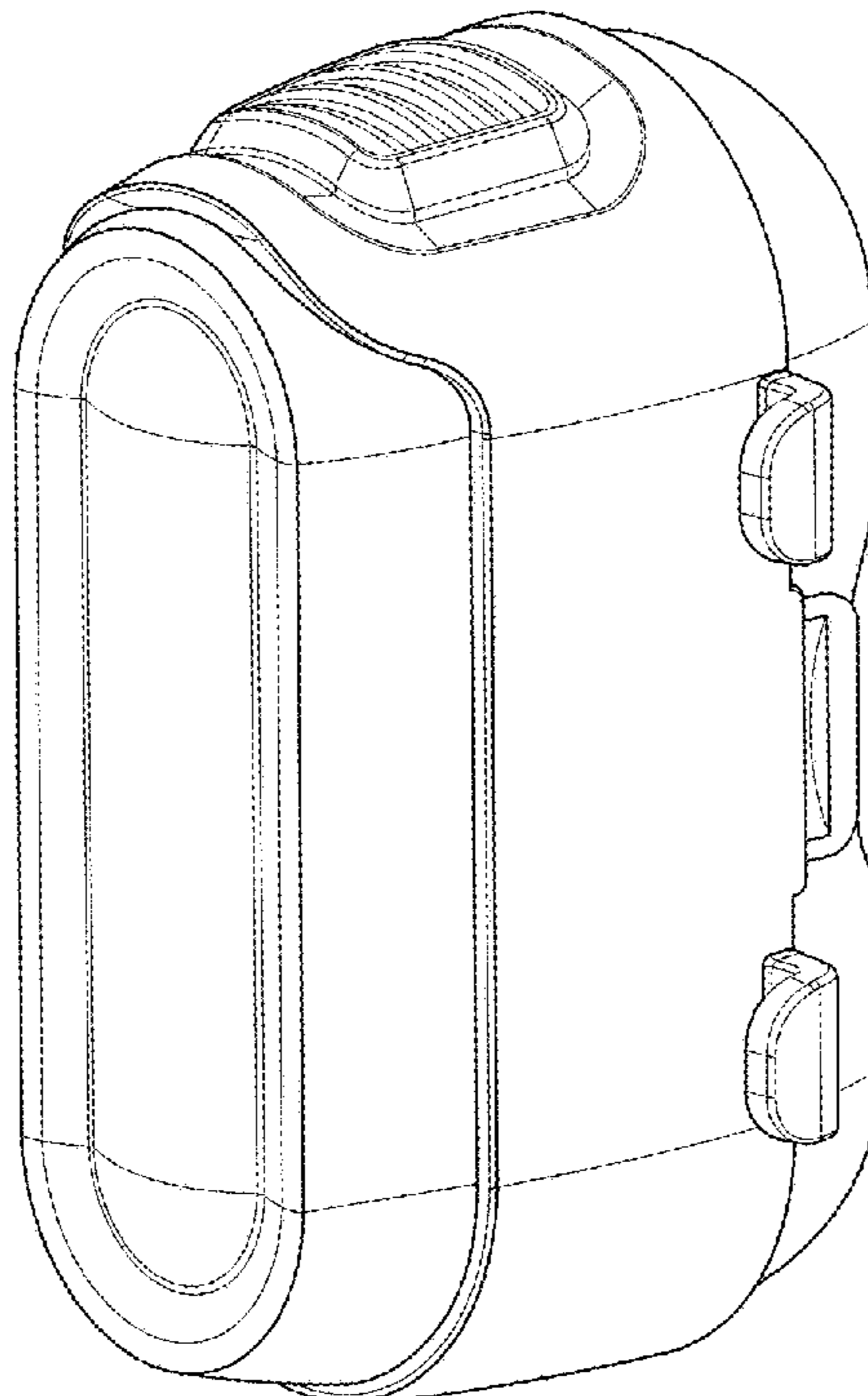


FIG. 1

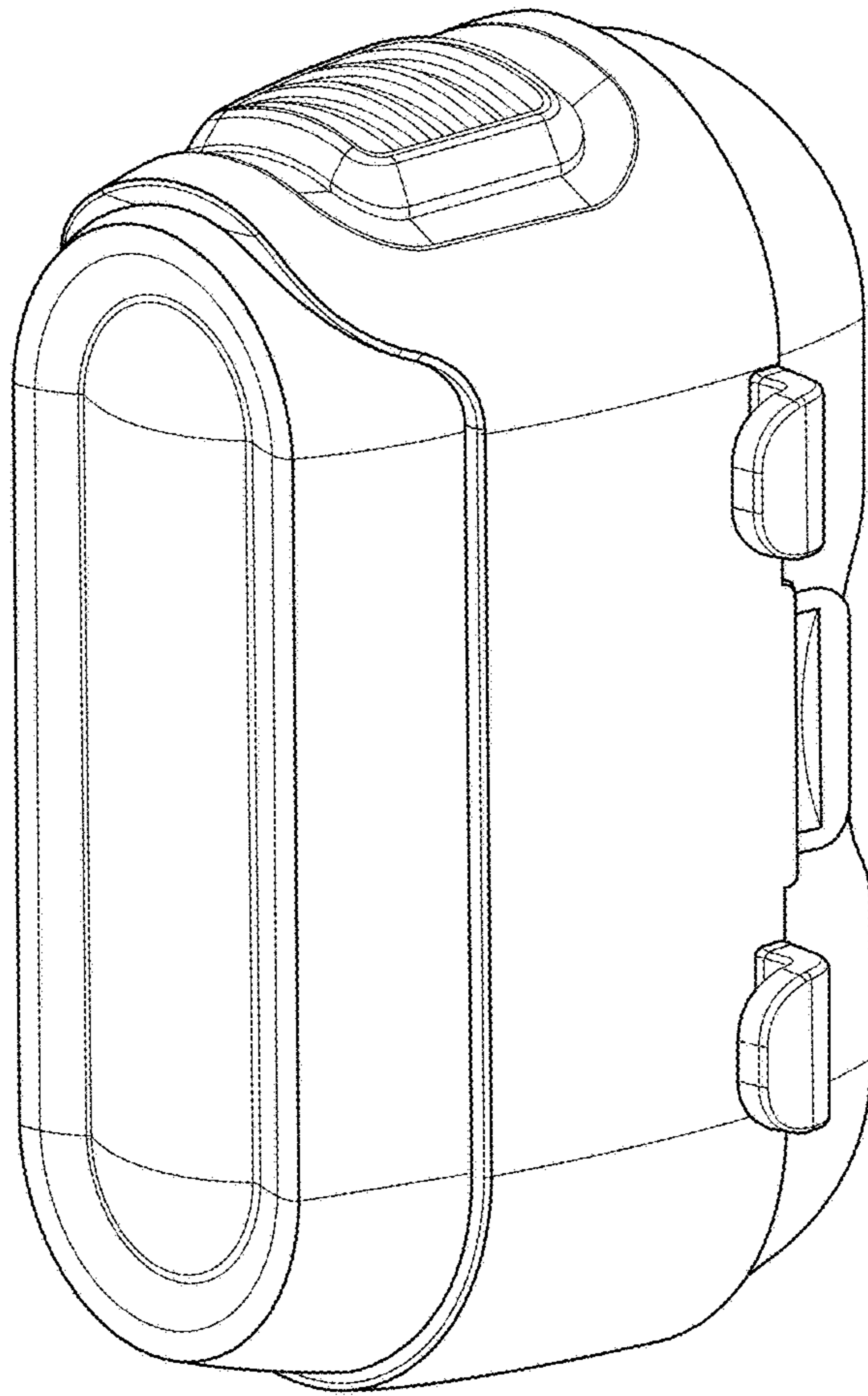


FIG. 2

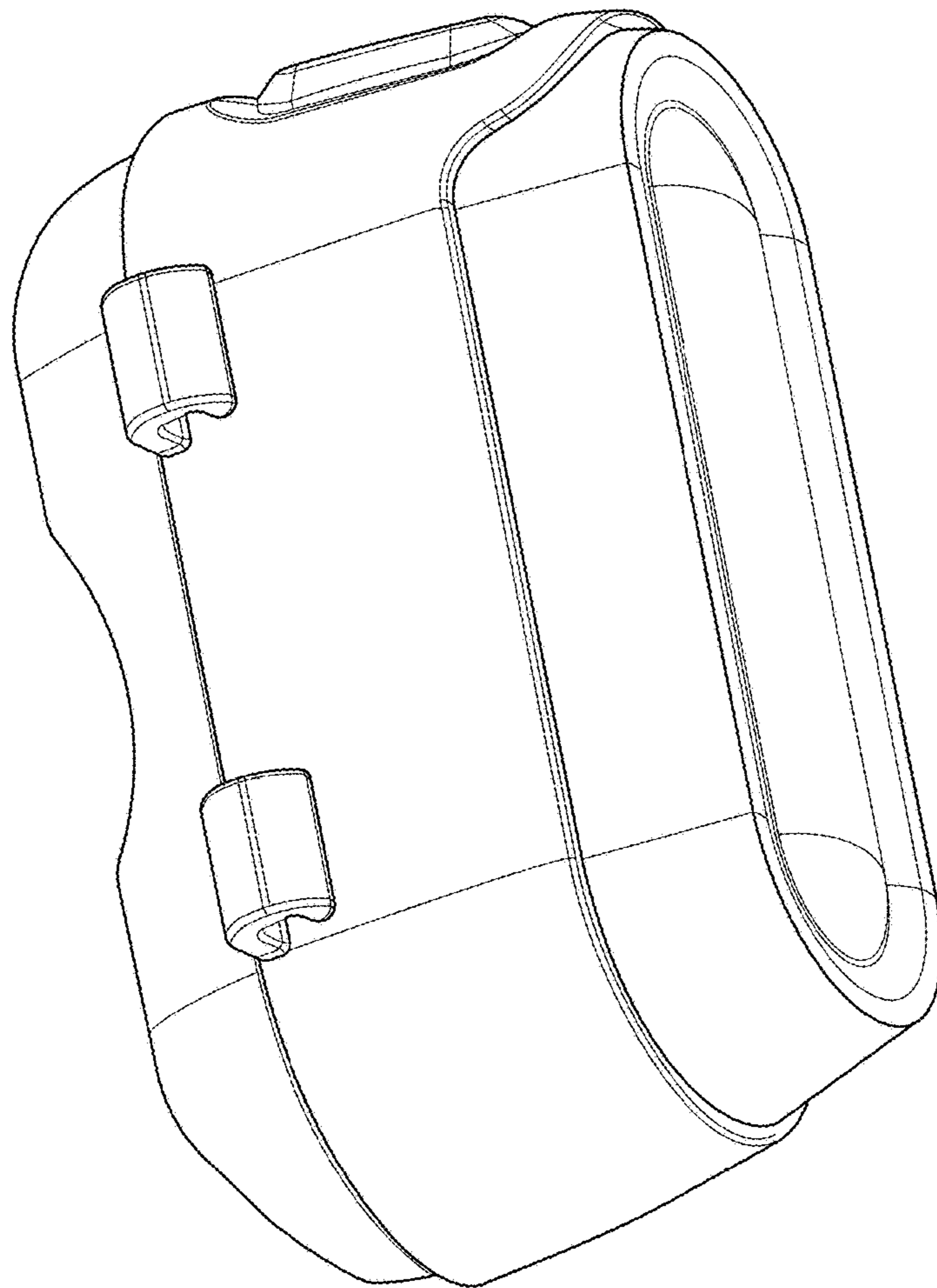


FIG. 3

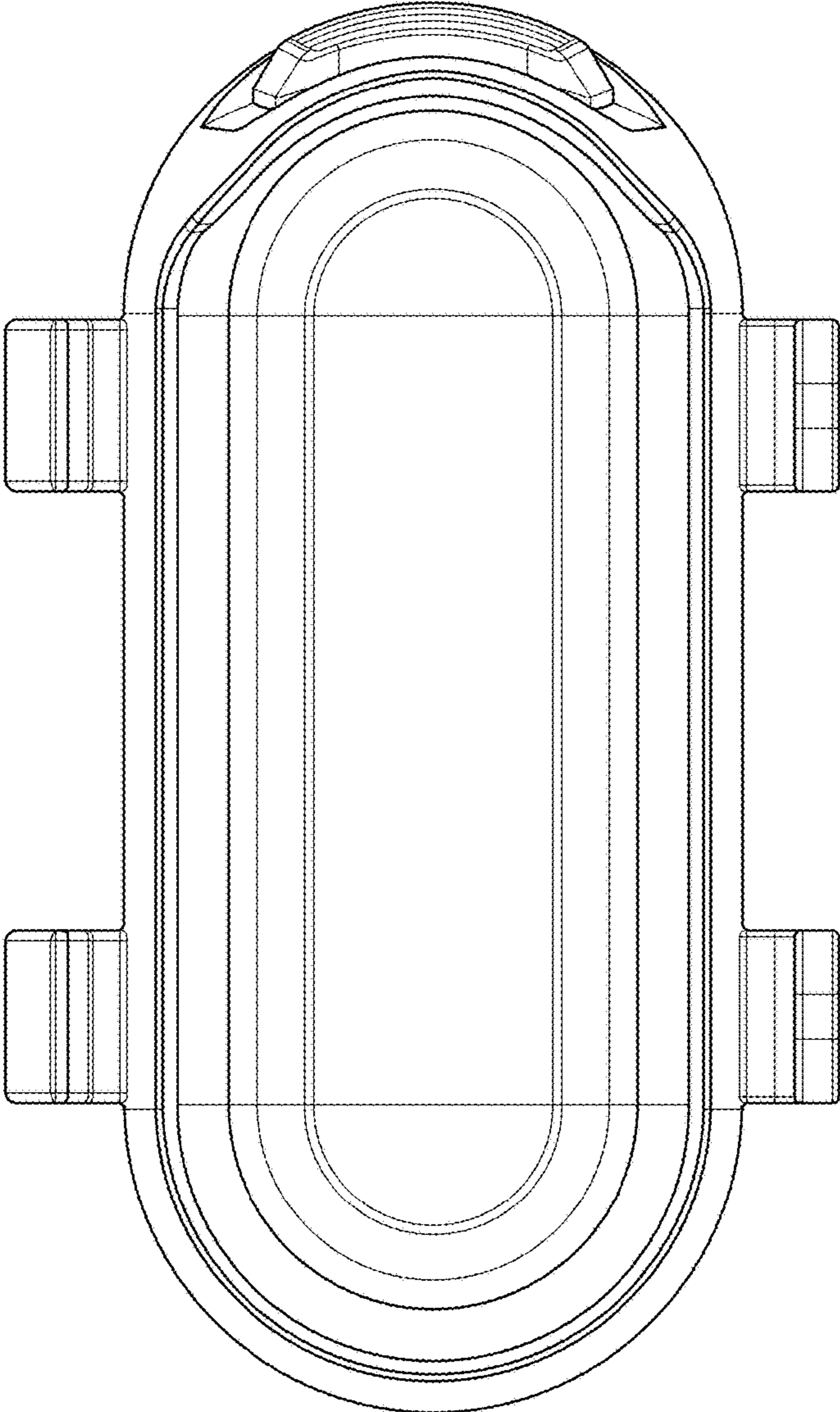


FIG. 4

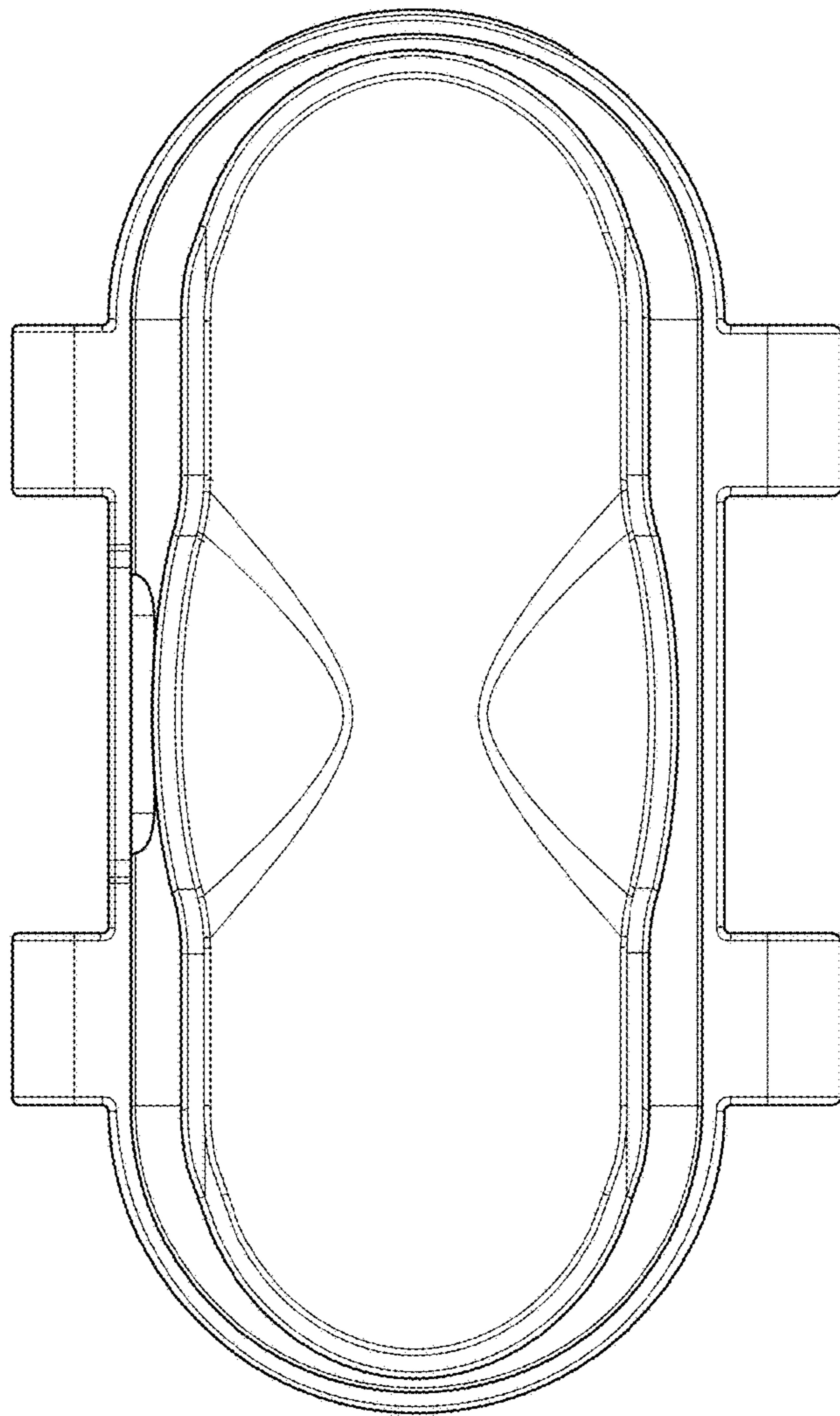


FIG. 5

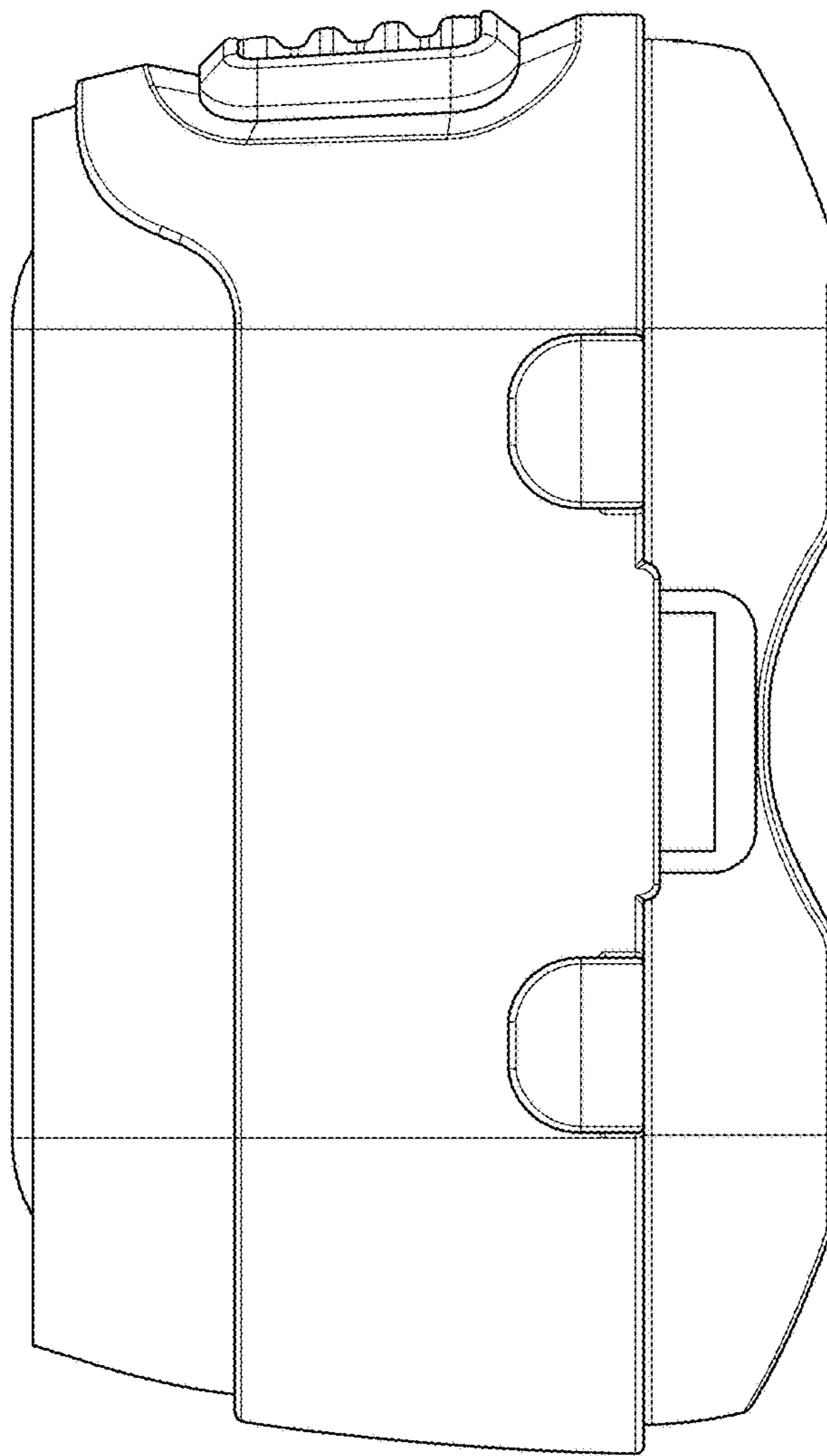


FIG. 6

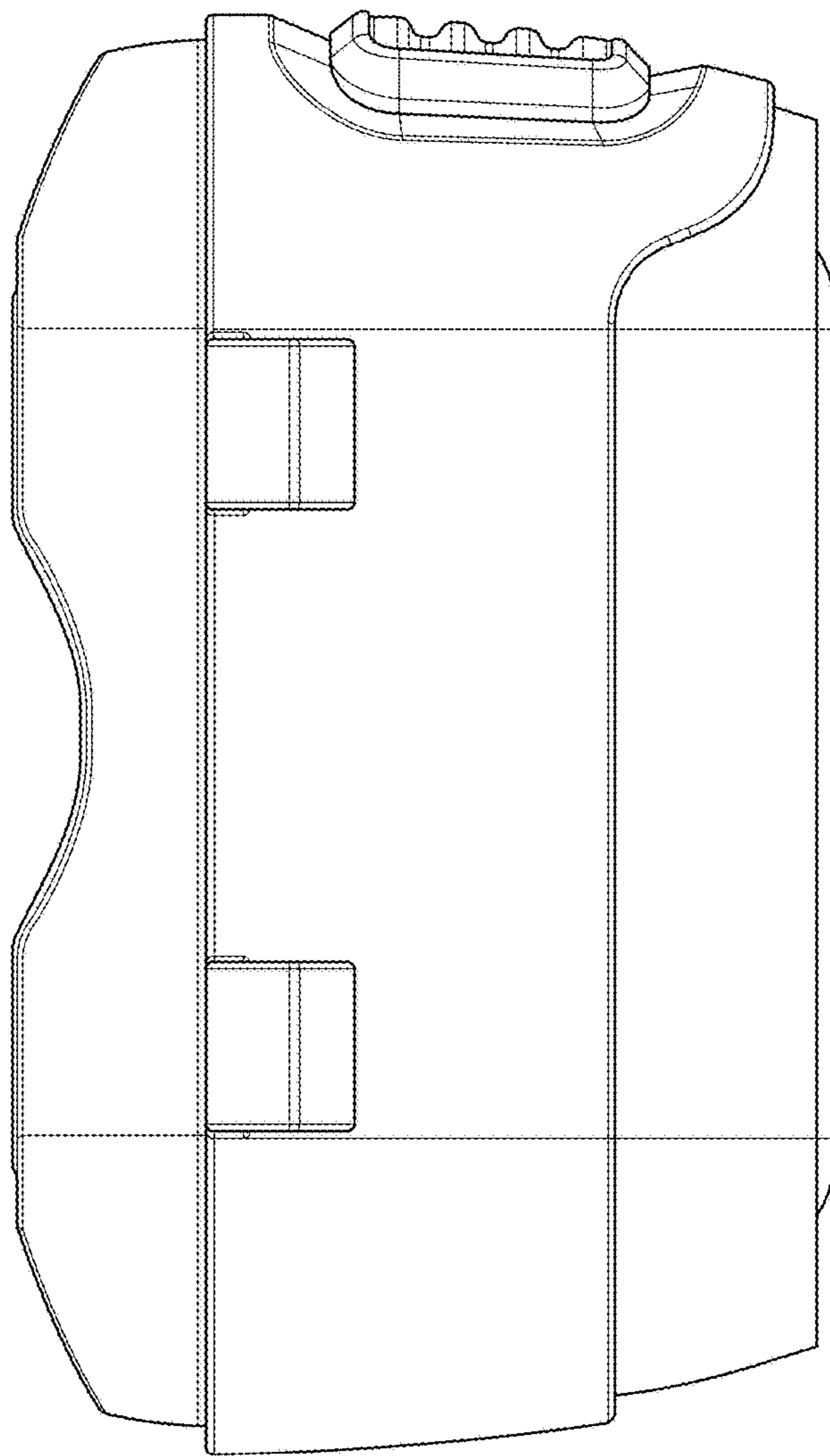


FIG. 7

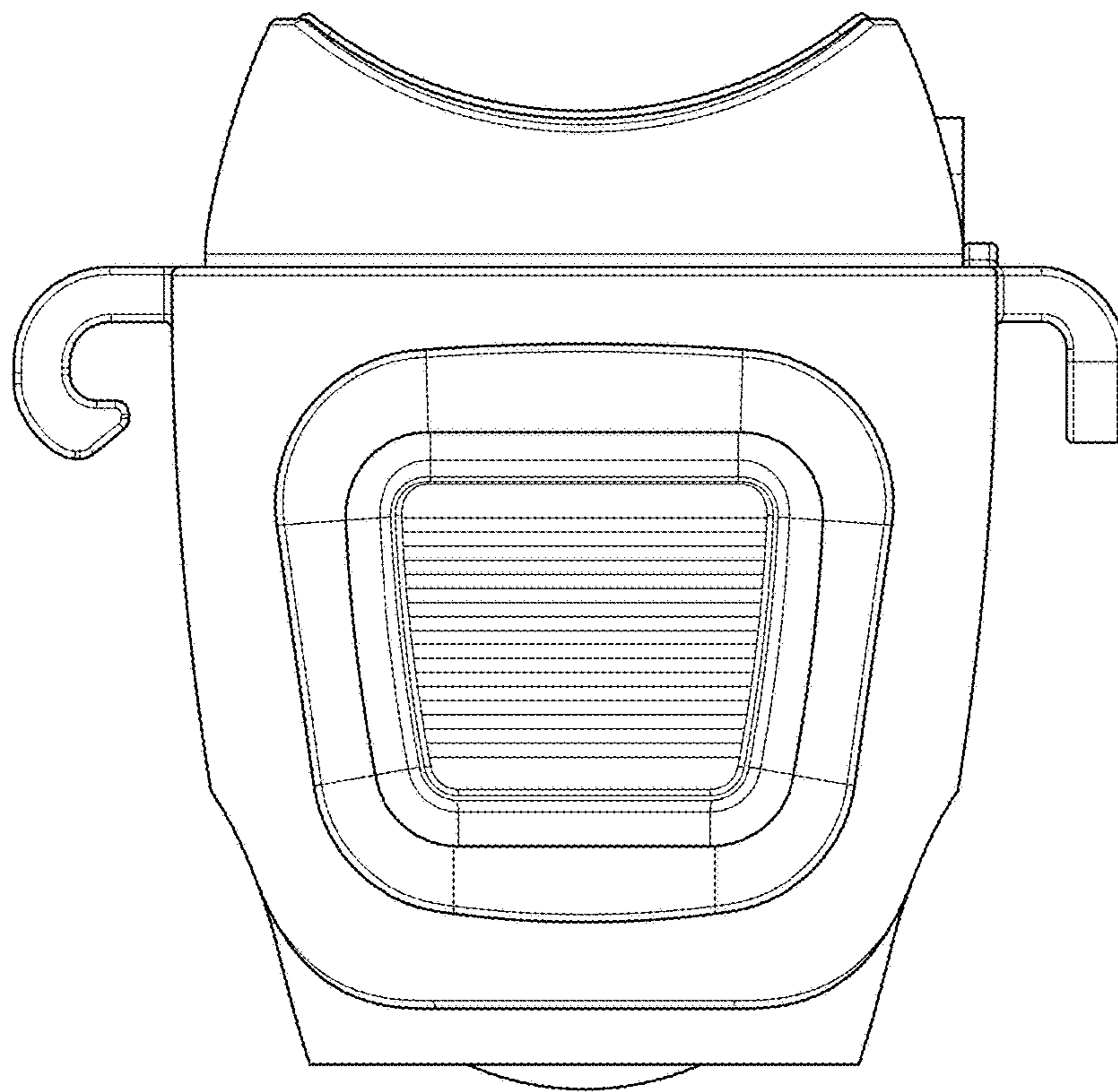


FIG. 8

