



US00D840077S

(12) **United States Design Patent**
Holmes

(10) **Patent No.:** **US D840,077 S**

(45) **Date of Patent:** **** Feb. 5, 2019**

- (54) **CEILING FAN LIGHT KIT**
- (71) Applicant: **HUNTER FAN COMPANY**,
Memphis, TN (US)
- (72) Inventor: **Christine Holmes**, Memphis, TN (US)
- (73) Assignee: **Hunter Fan Company**, Memphis, TN
(US)
- (**) Term: **15 Years**
- (21) Appl. No.: **29/618,640**
- (22) Filed: **Sep. 22, 2017**

Related U.S. Application Data

- (62) Division of application No. 29/557,125, filed on Mar. 6, 2016, now Pat. No. Des. 804,633.
- (51) **LOC (11) Cl.** **26-05**
- (52) **U.S. Cl.**
USPC **D26/59**; D26/89
- (58) **Field of Classification Search**
USPC D23/370, 377, 379, 385, 411; D26/85,
D26/88, 89, 130, 133, 134, 51, 59, 67,
D26/72, 80-84, 129, 90, 131, 143,
D26/148-149, 154-155
CPC F04D 25/088; F21V 33/0096
See application file for complete search history.

(56) **References Cited**

U.S. PATENT DOCUMENTS

D47,220 S *	4/1915	Dickson	D26/133
D48,083 S *	11/1915	Reiser	D26/129
D50,179 S *	1/1917	Bayley	D26/88
D50,905 S *	6/1917	Dawes	D26/134
D64,554 S *	4/1924	Parizek	D10/111
D69,720 S *	3/1926	Schleicher	D26/133
D395,724 S *	6/1998	Compton	D26/67
D432,709 S *	10/2000	Hsu	D26/128
D436,418 S *	1/2001	Porter	D26/80

D439,696 S *	3/2001	Johnson	D26/118
D452,908 S	1/2002	Dolan		
D459,537 S *	6/2002	Dolan	D26/134
D471,799 S	3/2003	Davis		
D478,976 S	8/2003	Young		
D504,173 S	4/2005	Cohen		
D506,542 S	6/2005	Thomas, Jr.		
D508,990 S *	8/2005	Stauffer	D23/411
D543,268 S	5/2007	Ertze		
D585,585 S	1/2009	Hidalgo		
D594,958 S	6/2009	Hidalgo		
D603,035 S	10/2009	Yang		

(Continued)

OTHER PUBLICATIONS

<http://www.kichler.com/products/product/52-inch-starkk-ceiling-fan-ni-300173ni.aspx>, Item Specification for the Starkk Collection 52 Inch Starkk Ceiling Fan NI 300173NI (Brushed Nickel), accessed Mar. 4, 2016.

(Continued)

Primary Examiner — Cathron C Brooks

Assistant Examiner — Sharon S Oum

(74) *Attorney, Agent, or Firm* — McGarry Bair PC

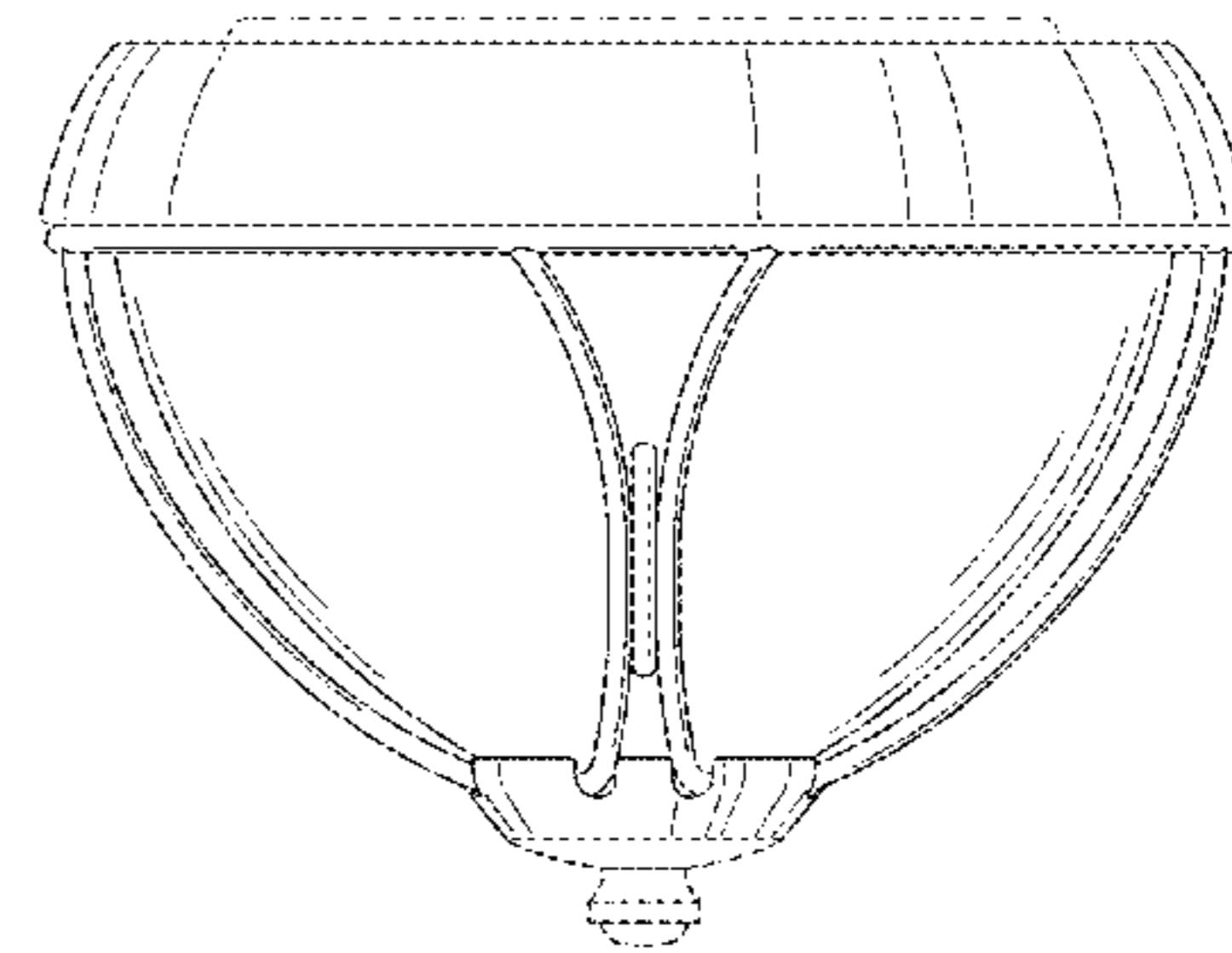
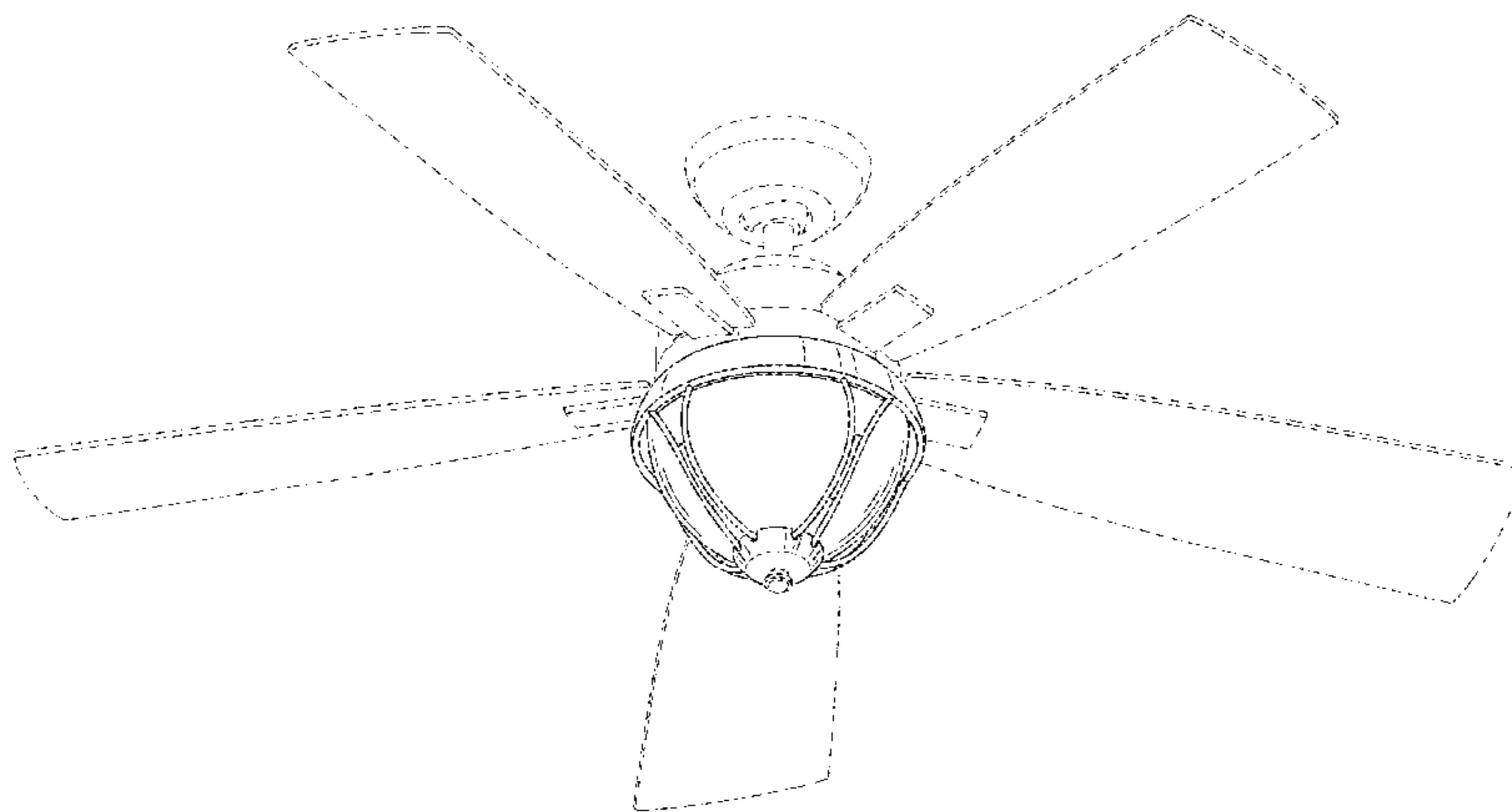
(57) **CLAIM**

The ornamental design for a ceiling fan light kit, as shown and described.

DESCRIPTION

FIG. 1 is a bottom perspective view of a ceiling fan light kit; FIG. 2 is a top perspective view thereof; FIG. 3 is a top view thereof; FIG. 4 is a bottom view thereof; and, FIG. 5 is a front side view thereof, with rear, right, and left side views being mirror images thereof. The broken lines illustrate environmental structure, and portions of the ceiling fan light kit. None of the broken lines form part of the claimed design.

1 Claim, 5 Drawing Sheets



(56)

References Cited

U.S. PATENT DOCUMENTS

D609,325 S	2/2010	Chen	
D695,448 S	12/2013	Orozco	
D732,157 S	6/2015	Lin et al.	
D745,956 S	12/2015	Ertze	
D804,633 S	* 12/2017	Holmes D23/377
D805,237 S	* 12/2017	Amato D26/88
D820,501 S	* 6/2018	Amato D26/88

OTHER PUBLICATIONS

<http://www.kingoffans.com/photos/manuals/185.pdf>, North, King of Fans Model #51546, 30 pages, accessed Mar. 4, 2016.

<http://www.kichler.com/products/product/54-inch-seaside-fan-oz-310131oz.aspx>, Item Specification for the Seaside Collection 54 Inch Seaside Fan OZ 310131OZ (Olde Bronze), accessed Mar. 4, 2016.

<http://www.montecarlofans.com/32467/52-Aviary-Dark-Bronze-4AIR52DBD.html>, Item Specification for the Aviary Product #: 4AIR52DBD, Finish: Dark Bronze, accessed Mar. 4, 2016.

[http://www.montecarlofans.com/22172/52-Burnet-Outdoor-Fan---Roman-Bronze-\(Wet-Rated\)-5BR52RBD.html](http://www.montecarlofans.com/22172/52-Burnet-Outdoor-Fan---Roman-Bronze-(Wet-Rated)-5BR52RBD.html), Item Specification for the Burnet Collection 52" 5-Blade Indoor/Outdoor Fan w/Light Kit Product #: 5BR52RBD, accessed Mar. 4, 2016.

<https://www.lowes.com/pd/Hunter-Allegheny-52-in-New-Bronze-Flush-Mount-Indoor-Outdoor-Ceiling-Fan-with-Light-Kit/3819969>, Hunter Allegheny 52-in. New Bronze Flush Mouny Indoor/Outdoor Celing Fan with Light Kit, accessed Apr. 6, 2018.

* cited by examiner

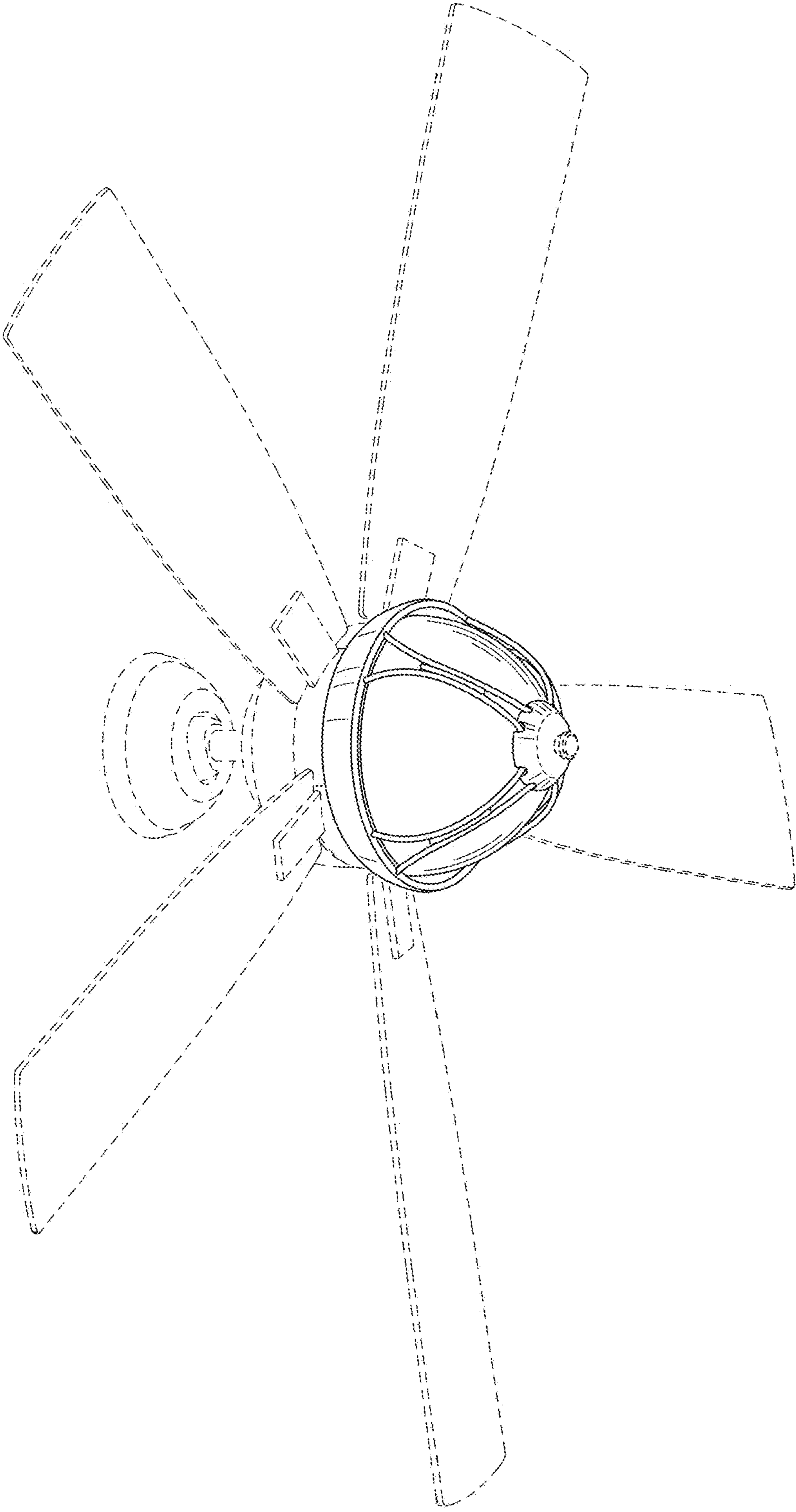


FIG. 1

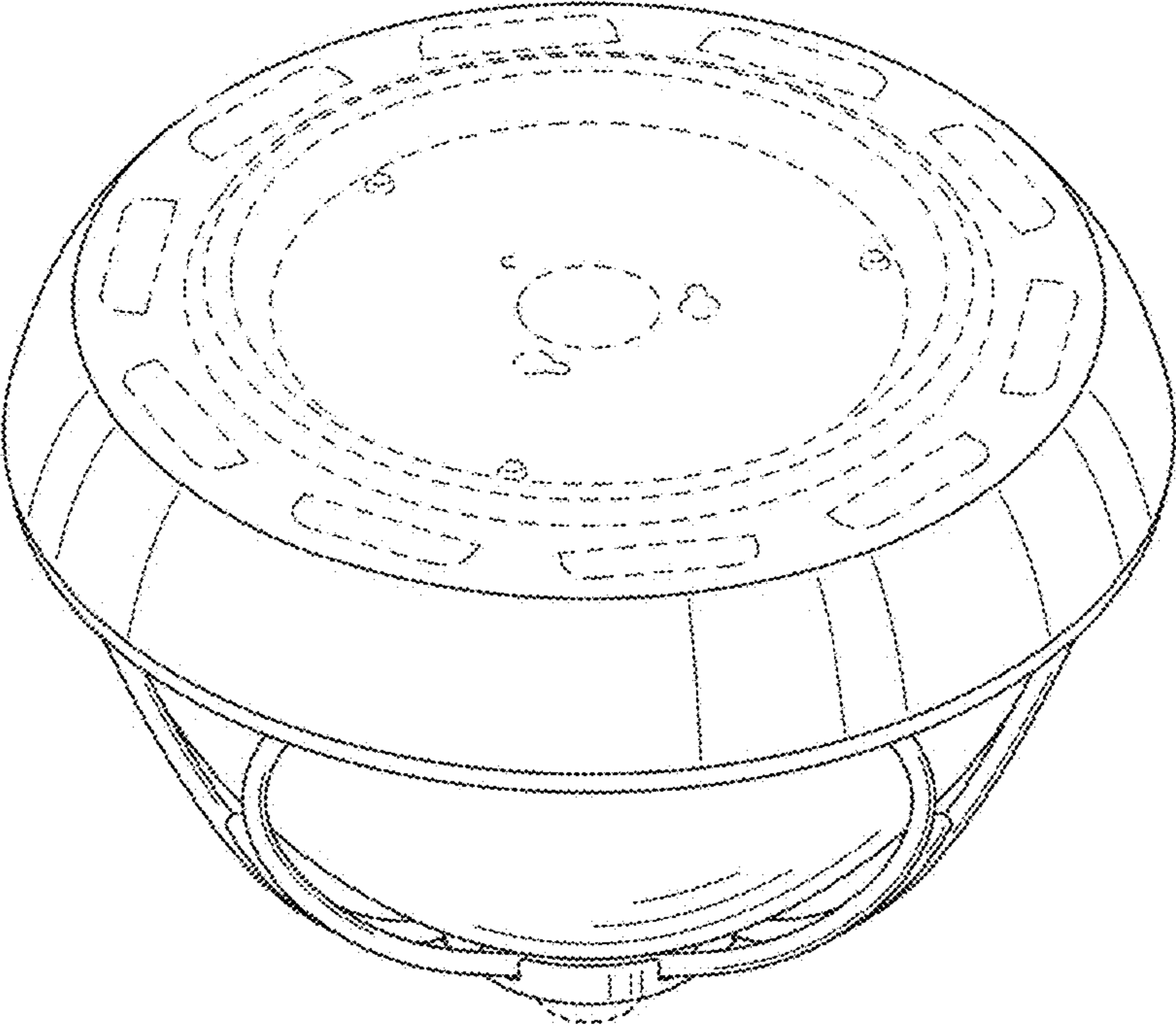


FIG. 2

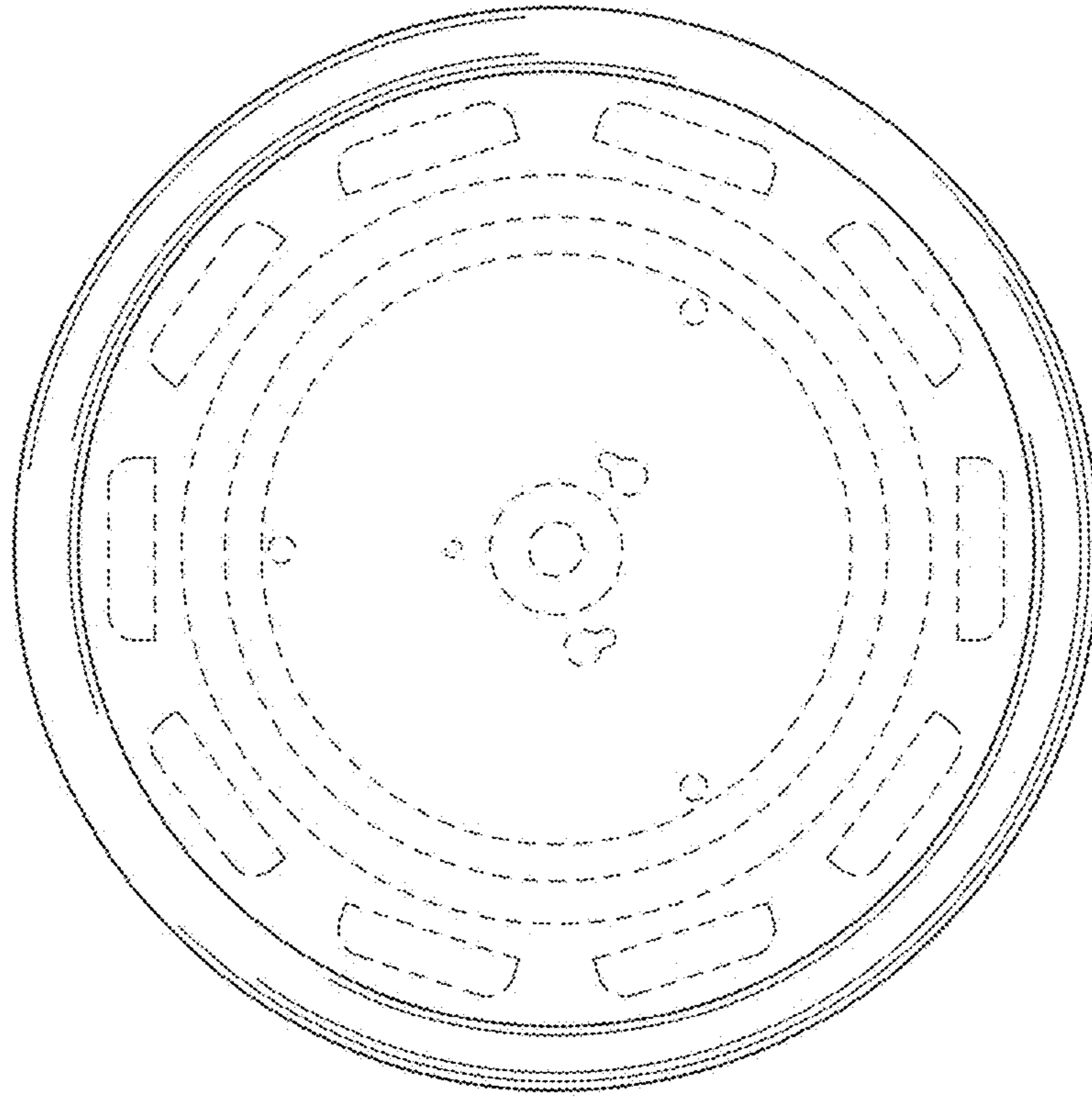


FIG. 3

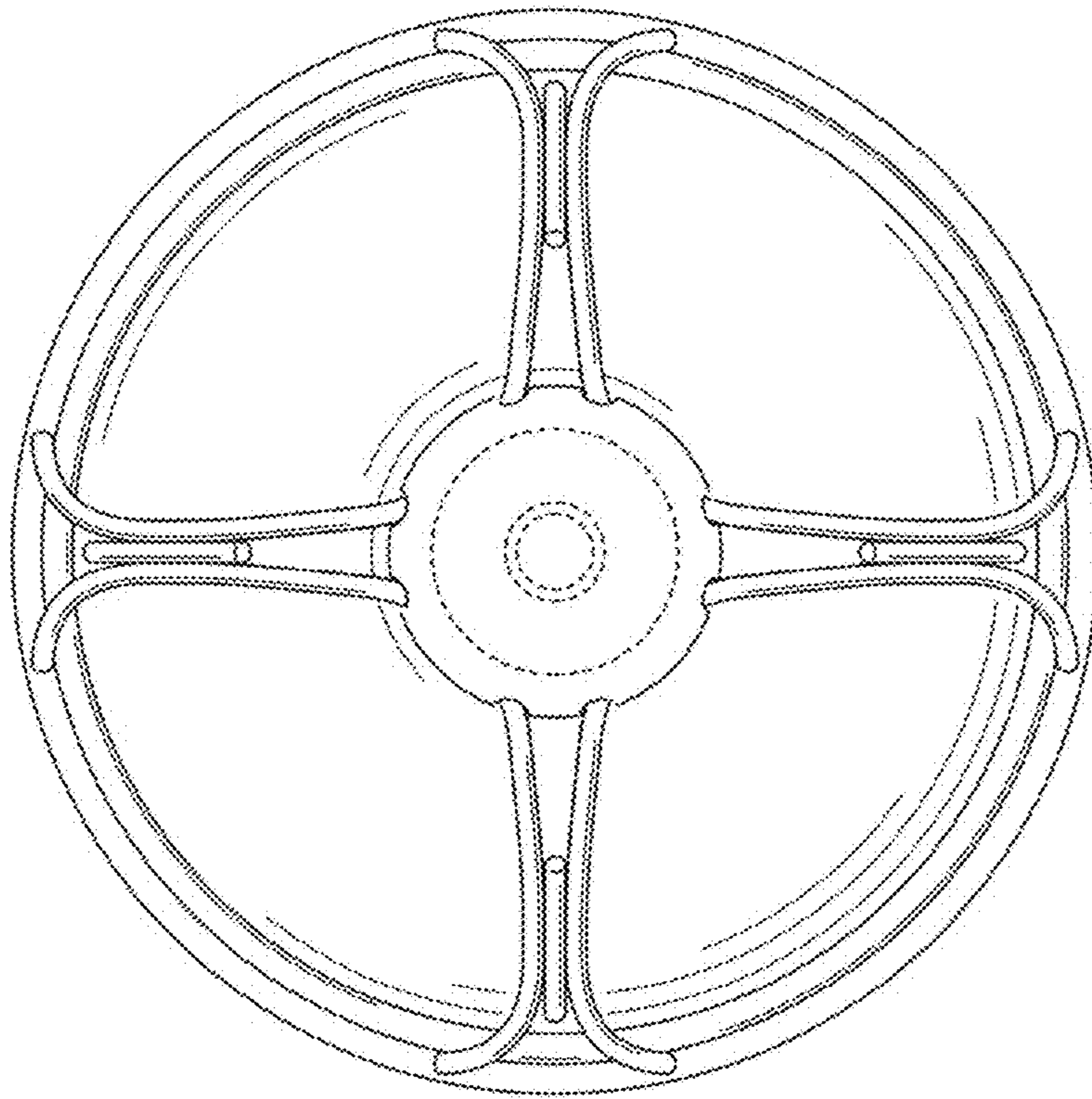


FIG. 4

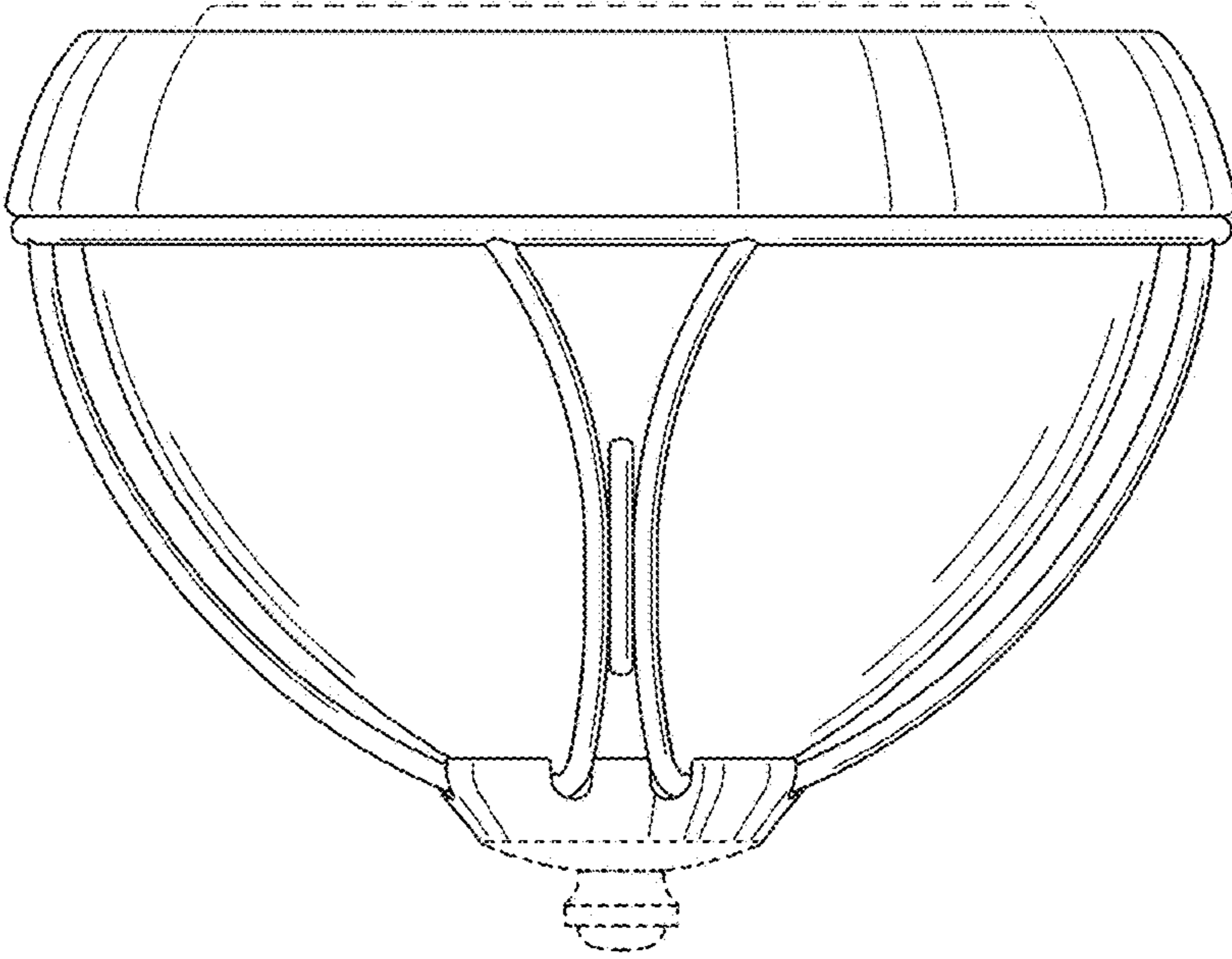


FIG. 5