



US00D840076S

(12) **United States Design Patent** (10) **Patent No.:** **US D840,076 S**
Hart et al. (45) **Date of Patent:** **** Feb. 5, 2019**

(54) **INDOOR GARDEN**
(71) Applicant: **GYO Solutions Pty Ltd**, Floreat, WA (US)
(72) Inventors: **Ray Hart**, Floreat (AU); **Clive Solari**, Surry Hills (AU); **Lorenzo Pavesi**, Surry Hills (AU); **Ian Edwards**, Surry Hills (AU); **David Francis**, Surry Hills (AU)

D481,653 S * 11/2003 Kalema D11/143
D614,081 S * 4/2010 Potts D11/144
D681,888 S * 5/2013 Fang D30/132
D706,163 S * 6/2014 Roth D11/152
D760,118 S * 6/2016 Lepp D11/142
D776,564 S * 1/2017 Seth-Andersson D11/153
D782,361 S * 3/2017 Williams D11/143
D790,393 S * 6/2017 Paternostre D11/143
D792,807 S * 7/2017 Bryan, III D11/144
D792,808 S * 7/2017 Verneuil D11/144
D795,737 S * 8/2017 Messerer D11/144

(Continued)

(73) Assignee: **GYO Solutions Pty Ltd**, Floreat (AU)
(**) Term: **15 Years**

Primary Examiner — Lakiya G Rogers
Assistant Examiner — Carissa C Fitts

(21) Appl. No.: **29/543,245**

(74) *Attorney, Agent, or Firm* — Charles H Jew

(22) Filed: **Oct. 22, 2015**

(30) **Foreign Application Priority Data**

Apr. 25, 2015 (AU) 201512166

(51) **LOC (11) Cl.** **26-05**

(52) **U.S. Cl.**
USPC **D26/55; D11/144**

(58) **Field of Classification Search**
USPC D26/51; D11/143, 144, 145, 148, 152, D11/153; D6/403
CPC F21L 2203/00; F21L 4/00; F21L 4/005; F21L 4/02; F21L 4/025; F21L 4/027; F21L 4/04; F21L 4/08; F21L 7/00; F21L 11/00; F21L 13/00; F21L 13/04; F21L 13/08; F21L 14/02; F21L 17/00; F21L 19/00; A01G 17/14; A01G 17/06; A01G 9/04; A01G 9/02; A01G 7/045; A01G 9/023; A47G 7/044

See application file for complete search history.

(56) **References Cited**

U.S. PATENT DOCUMENTS

5,555,676 A * 9/1996 Lund A01G 9/022 47/82
D400,823 S * 11/1998 Bagshaw D11/152

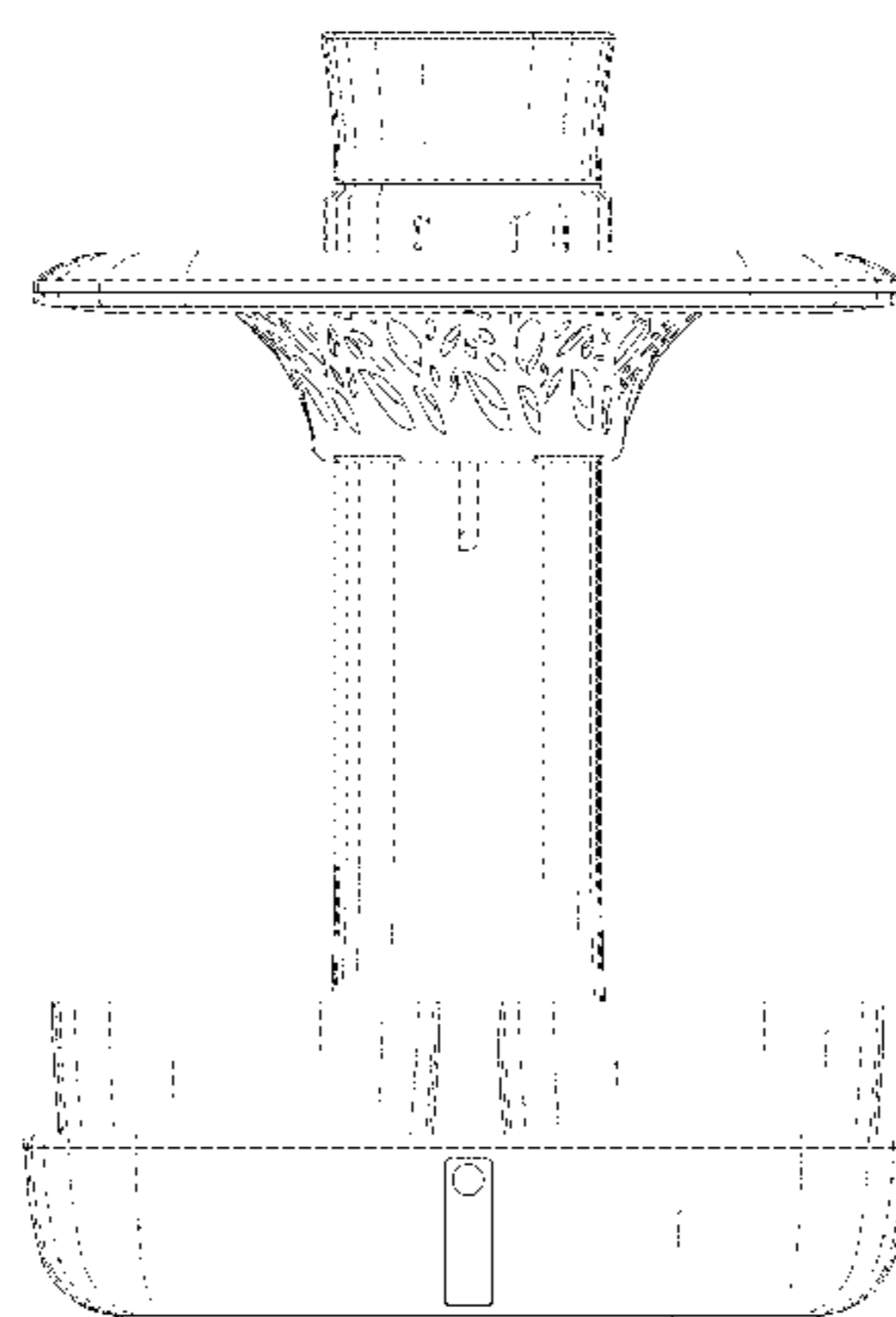
(57) **CLAIM**

The ornamental design for an indoor garden, as shown and described.

DESCRIPTION

FIG. 1 is a front elevational view of the indoor garden showing our design with a light ring in a raised position; FIG. 2 is a right side elevational view thereof; FIG. 3 is left side elevational view thereof; FIG. 4 is rear elevational view thereof; FIG. 5 is a top plan view thereof; FIG. 6 is a bottom plan view thereof; FIG. 7 is a front perspective view thereof; FIG. 8 is a front perspective view thereof showing the light ring lowered; FIG. 9 is a front elevational view thereof with the light ring lowered; and, FIG. 10 is a left side elevational view thereof with the light ring lowered. The broken lines shown portions of the article not claimed and form no part of the claimed design.

1 Claim, 10 Drawing Sheets



(56)

References Cited

U.S. PATENT DOCUMENTS

2006/0272210 A1* 12/2006 Bissonnette A01G 31/02
47/69
2007/0271841 A1* 11/2007 Bissonnette A01C 1/02
47/61

* cited by examiner

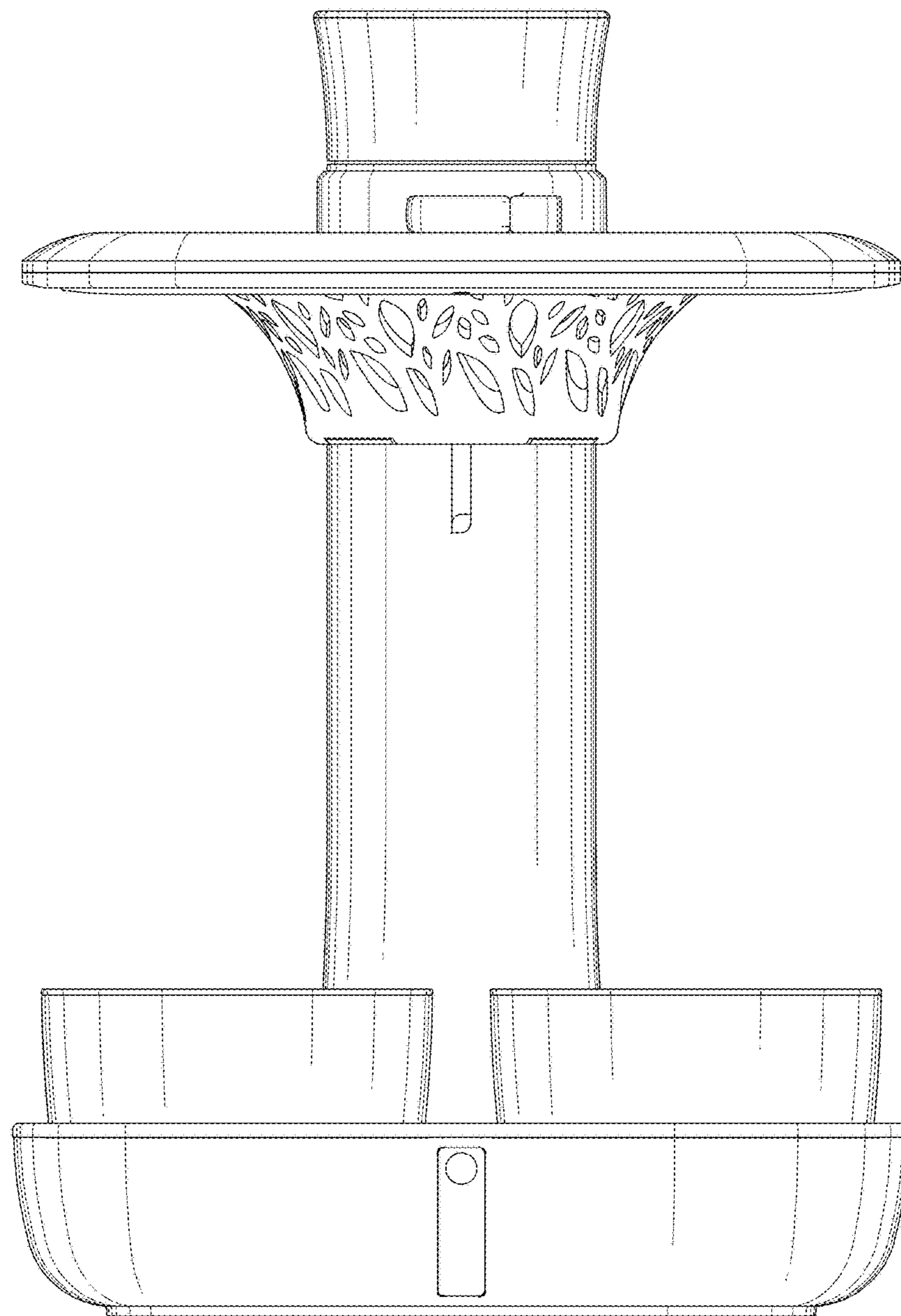


FIG. 1

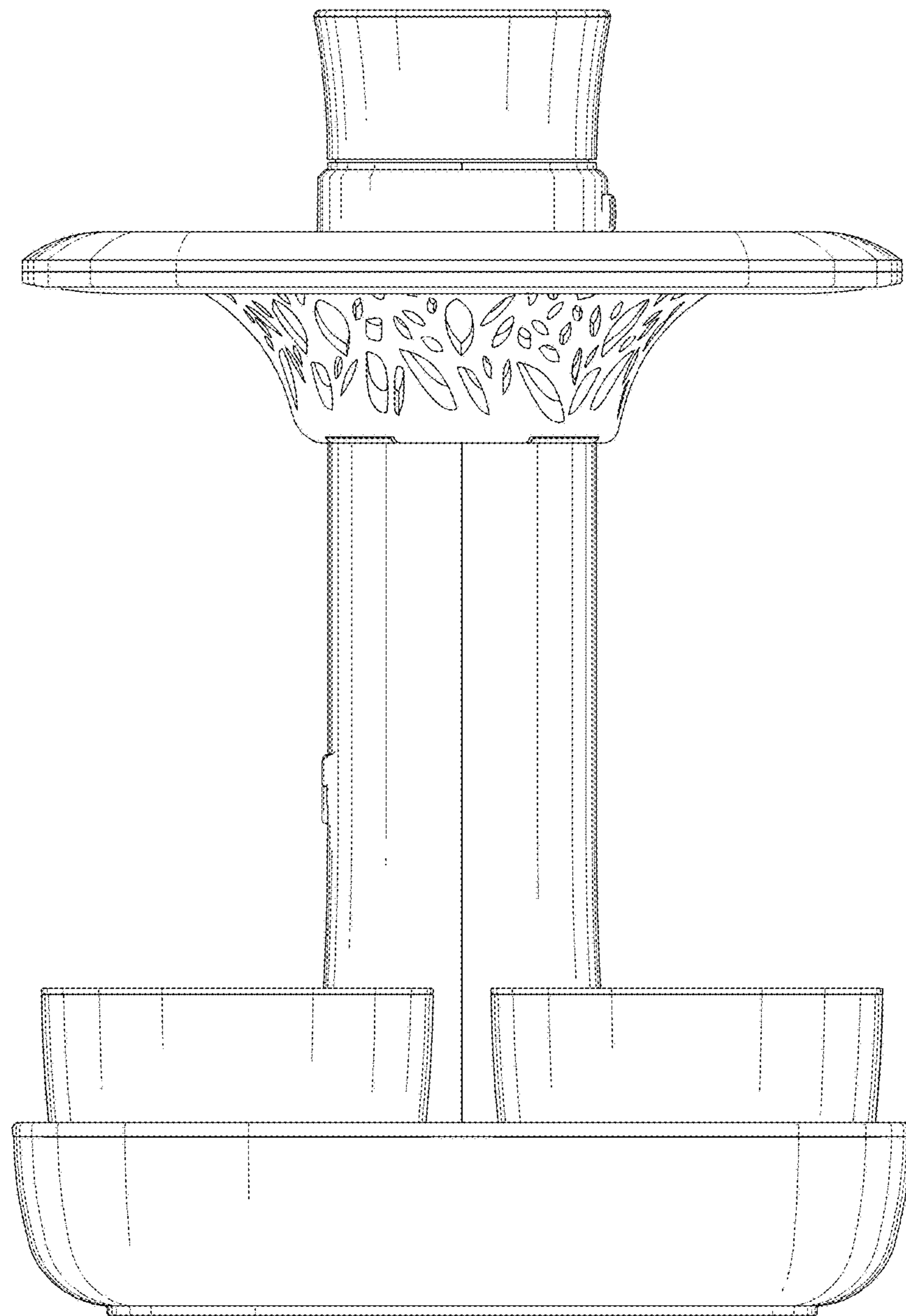


FIG. 2

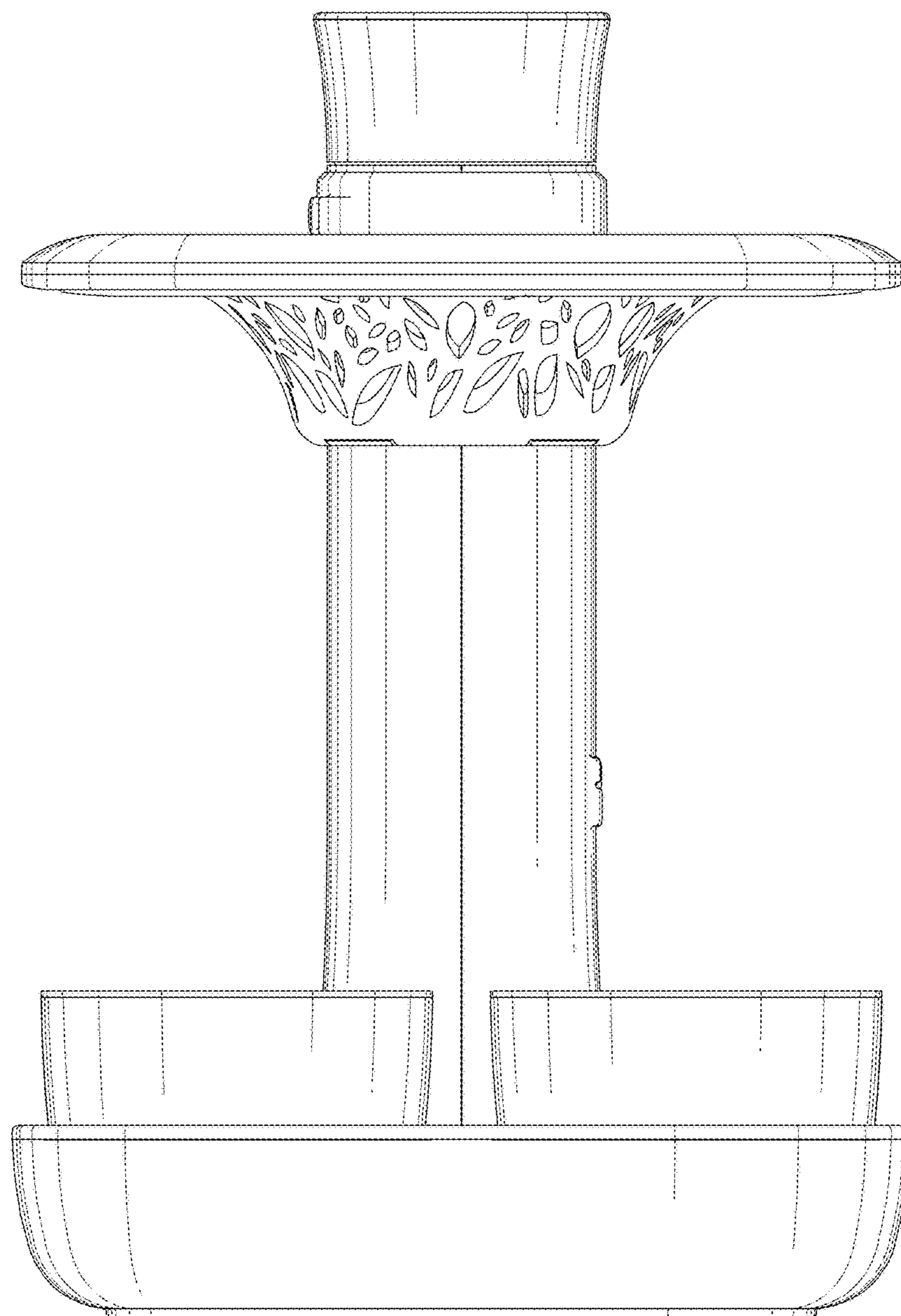


FIG. 3

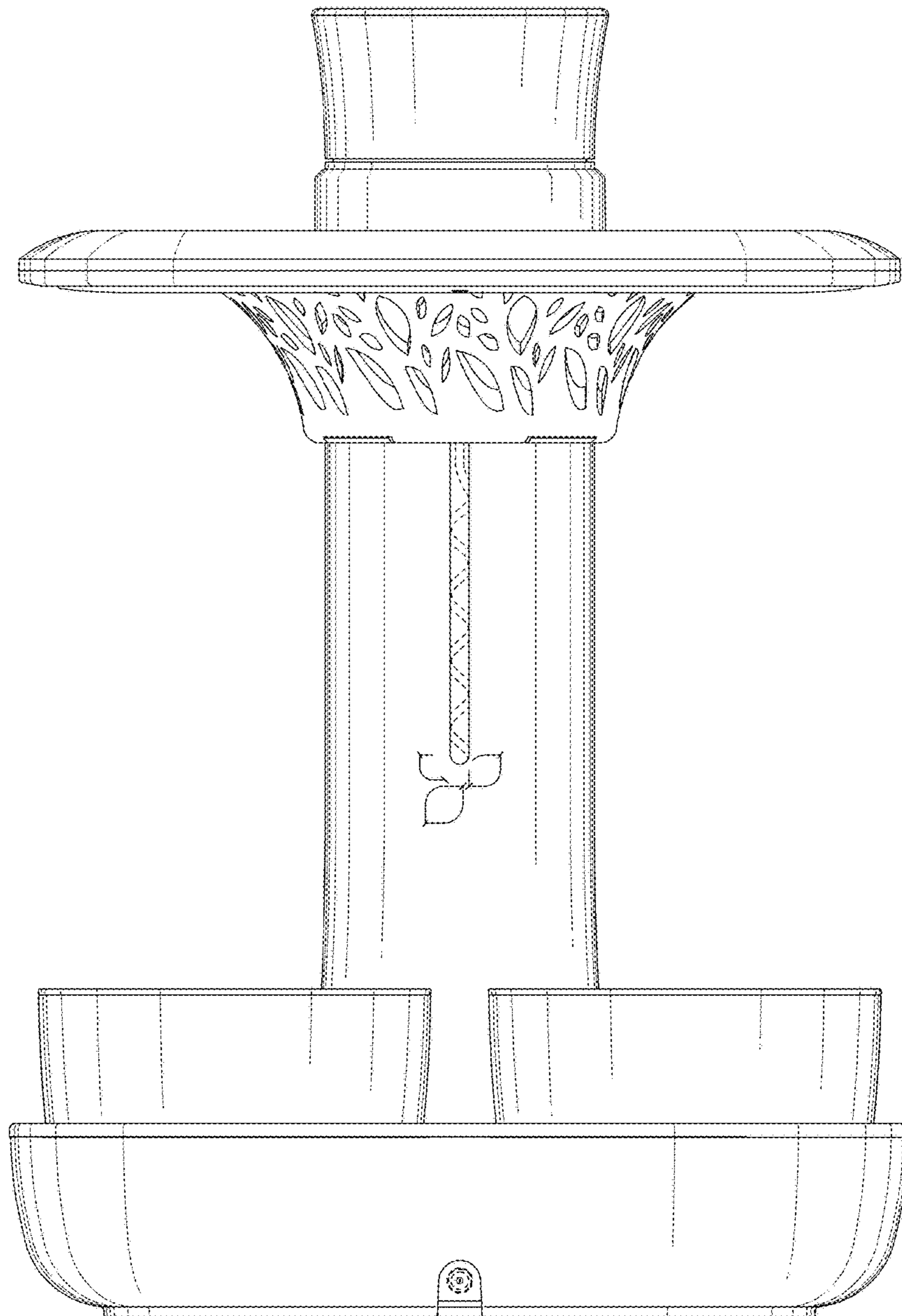


FIG. 4

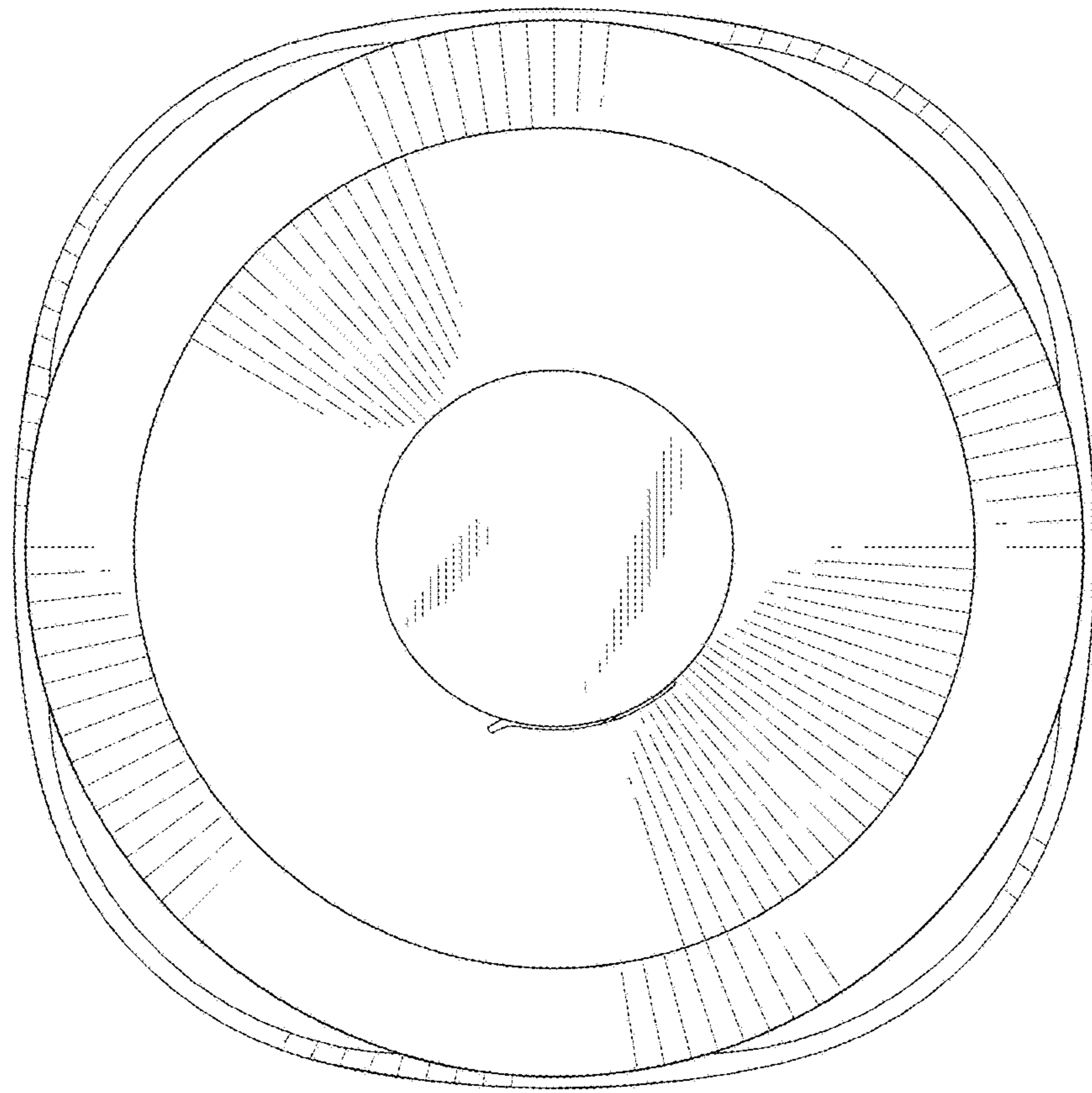


FIG. 5

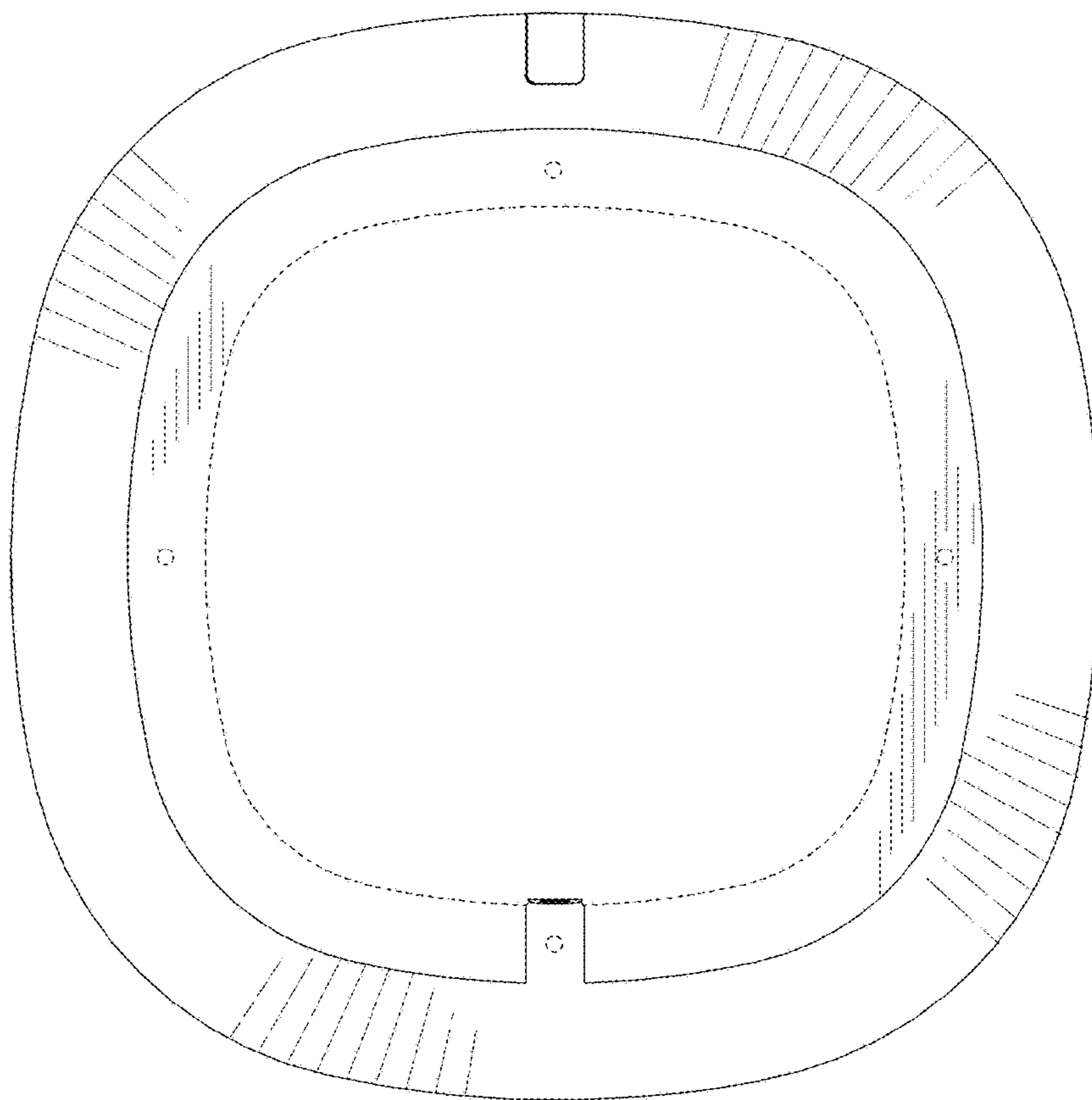


FIG. 6

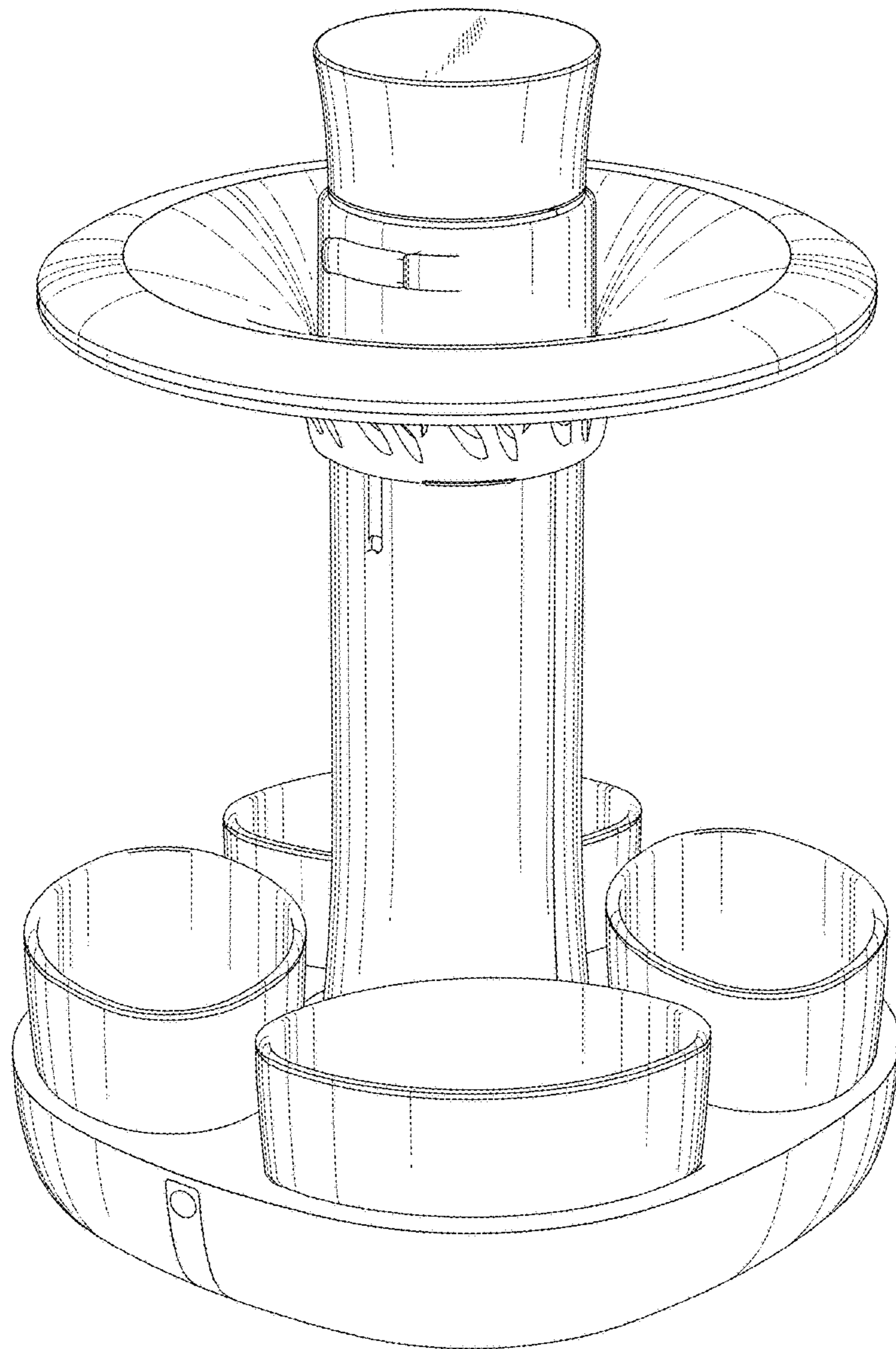


FIG. 7

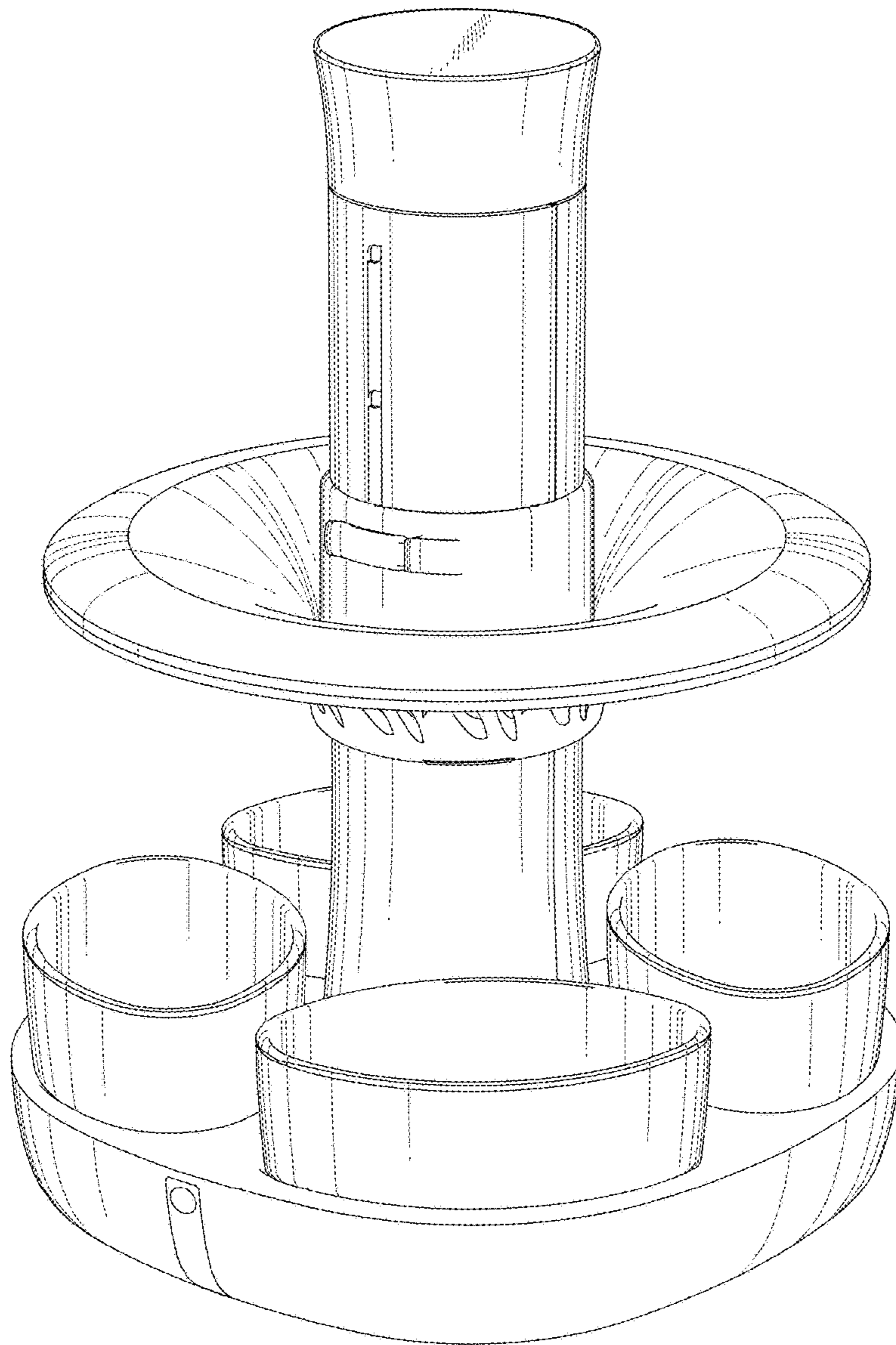


FIG. 8

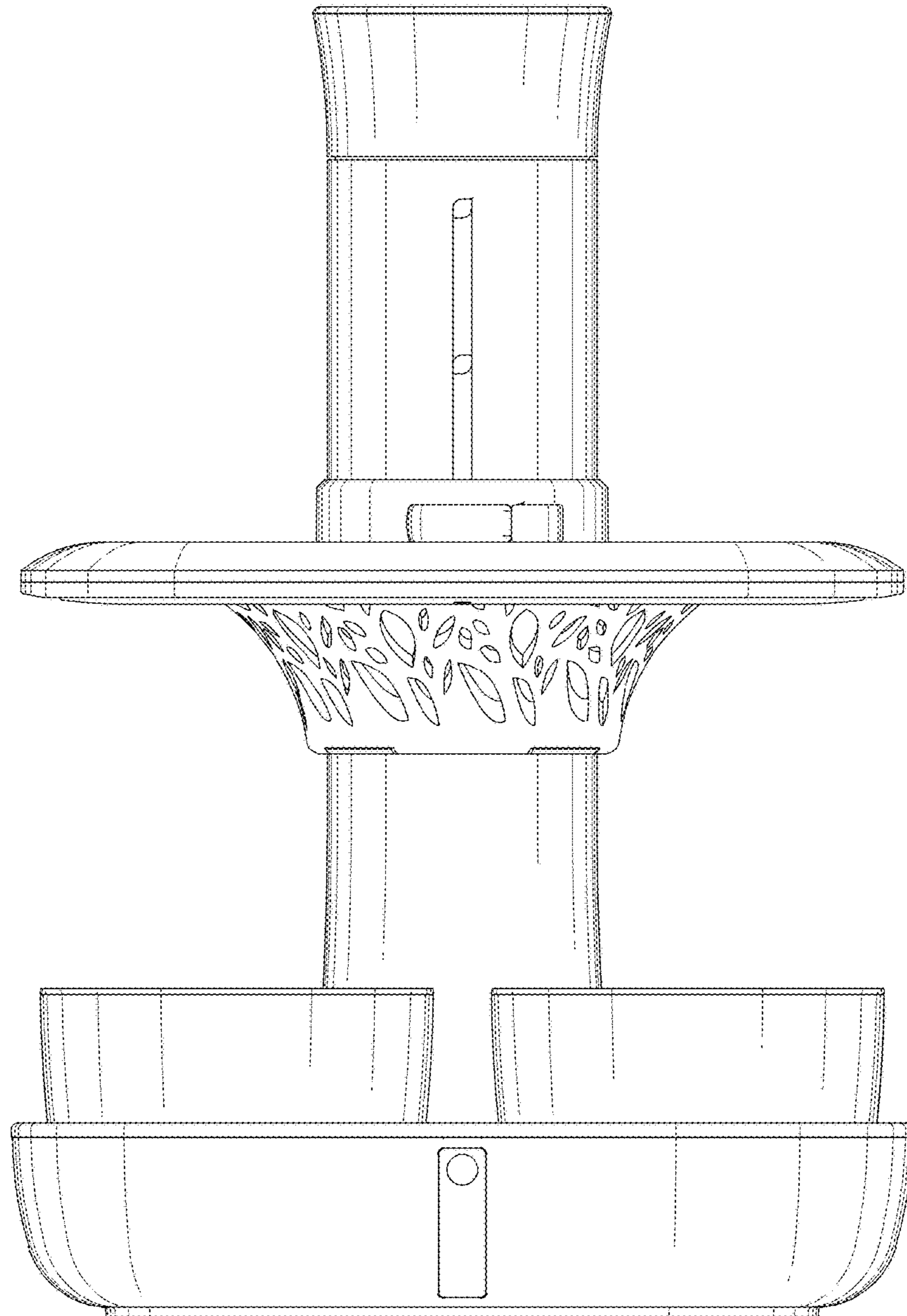


FIG. 9

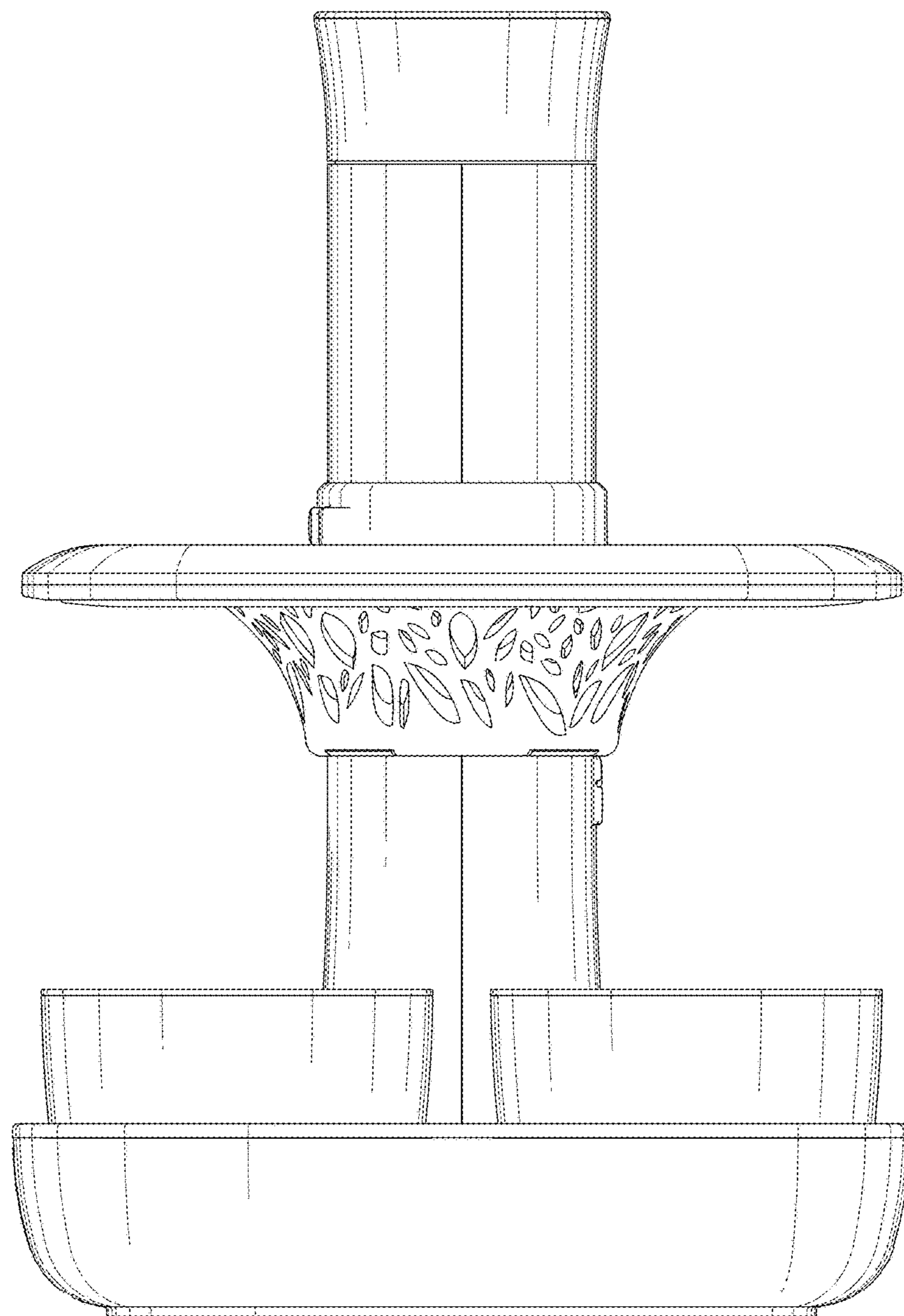


FIG. 10