



US00D840075S

(12) **United States Design Patent**
Bao

(10) **Patent No.:** **US D840,075 S**
(45) **Date of Patent:** **** Feb. 5, 2019**

(54) **WORK LAMP**

(71) Applicant: **YUYAO YUCHANG ELECTRICAL APPLIANCE CO., LTD.**, Zhejiang (CN)

(72) Inventor: **Yong Bao**, Zhejiang (CN)

(73) Assignee: **YUYAO YUCHANG ELECTRICAL APPLIANCE CO., LTD.**, Zhejiang (CN)

(**) Term: **15 Years**

(21) Appl. No.: **29/616,211**

(22) Filed: **Sep. 5, 2017**

(30) **Foreign Application Priority Data**

May 10, 2017 (CN) 2017 3 0169752

(51) **LOC (11) Cl.** **26-02**

(52) **U.S. Cl.**
USPC **D26/44**; D26/42

(58) **Field of Classification Search**
USPC D26/37-51
CPC F21L 2003/00; F21L 4/00; F21L 4/005;
F21L 4/02; F21L 4/025; F21L 4/027;
F21L 4/04; F21L 4/08; F21L 2005/00;
F21L 7/00; F21L 11/00; F21L 13/00;
F21L 13/04; F21L 13/08; F21L 14/02;
F21L 17/00; F21L 19/00; F21L 25/00
See application file for complete search history.

(56) **References Cited**

U.S. PATENT DOCUMENTS

D502,276 S * 2/2005 Kovacik D26/44
D509,010 S * 8/2005 Kovacik D26/44

D661,417 S * 6/2012 Kung D26/42
D691,310 S * 10/2013 Zhou D26/37
D694,446 S * 11/2013 Zhou D26/42
D698,959 S * 2/2014 Shen D26/46
D750,825 S * 3/2016 Bryant D26/42
D794,234 S * 8/2017 Levy D26/37
D794,236 S * 8/2017 Kovacik D26/42
D799,095 S * 10/2017 Bao D26/65
D799,096 S * 10/2017 Bao D26/65
D808,555 S * 1/2018 Inskeep D26/41
D816,876 S * 5/2018 Bao D26/37
D818,166 S * 5/2018 Bao D26/44
D821,007 S * 6/2018 Chen D26/39

* cited by examiner

Primary Examiner — Lakiya G Rogers

Assistant Examiner — Carissa C Fitts

(74) *Attorney, Agent, or Firm* — JCIPRNET

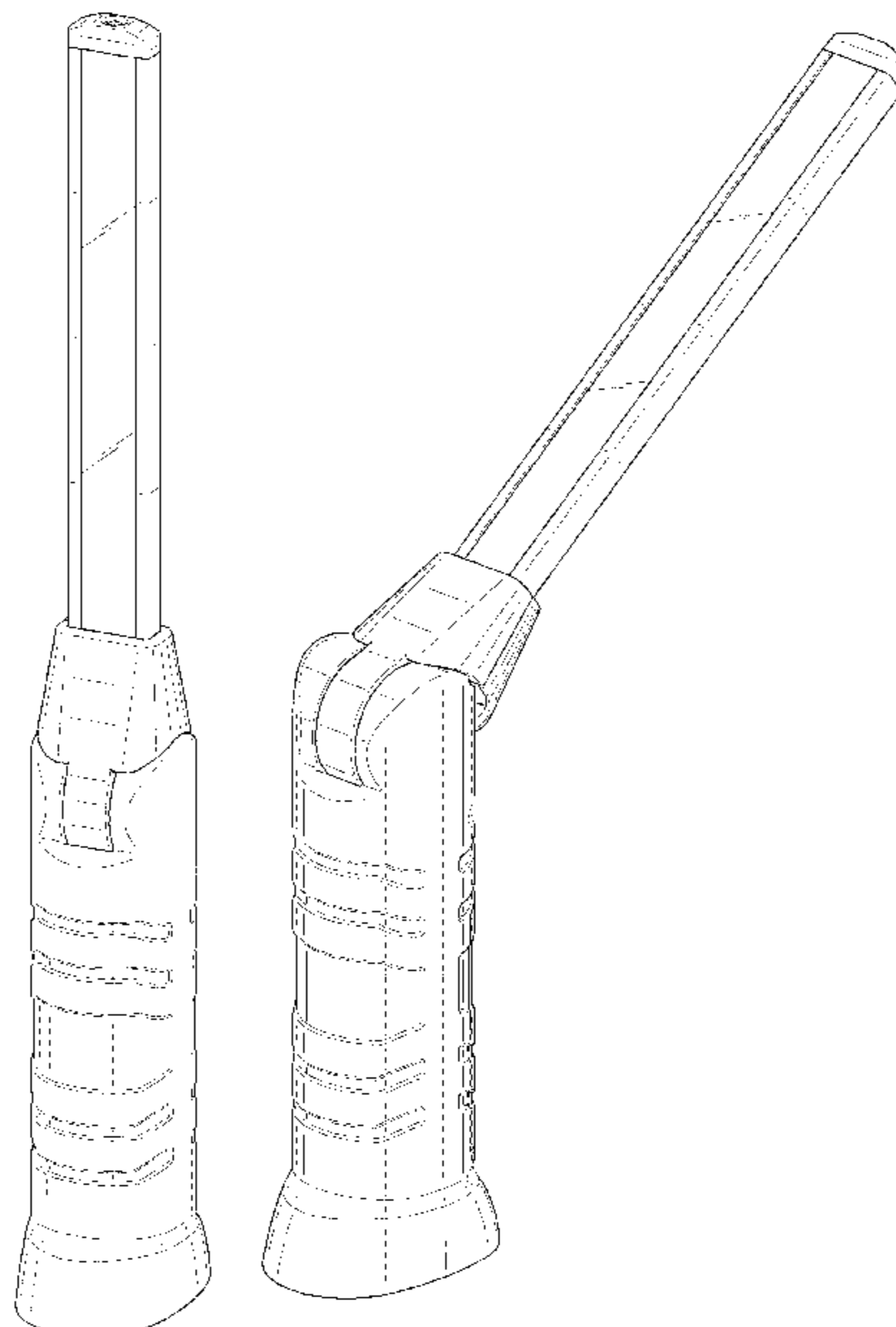
(57) **CLAIM**

The ornamental design for a work lamp, as shown and described.

DESCRIPTION

FIG. 1 is a perspective view of a work lamp showing my new design;
FIG. 2 is a front view thereof;
FIG. 3 is a rear view thereof;
FIG. 4 is a left side view thereof;
FIG. 5 is a right side view thereof;
FIG. 6 is an enlarged top view thereof;
FIG. 7 is an enlarged bottom view thereof;
FIG. 8 is another perspective view thereof with the hook pulled out; and,
FIG. 9 is another perspective view thereof with the upper part rotated.
The broken lines shown unclaimed portions of the article and form no part of the claimed design.

1 Claim, 6 Drawing Sheets



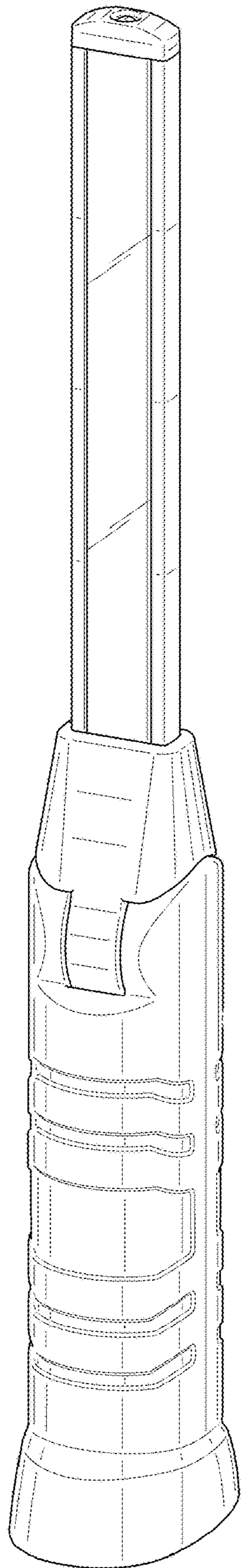


FIG. 1

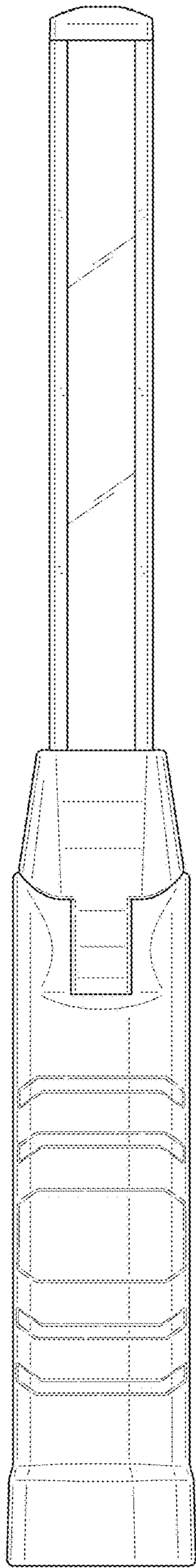


FIG. 2

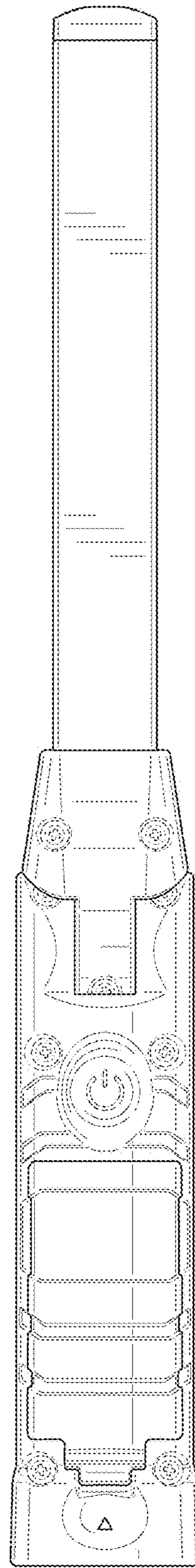


FIG. 3

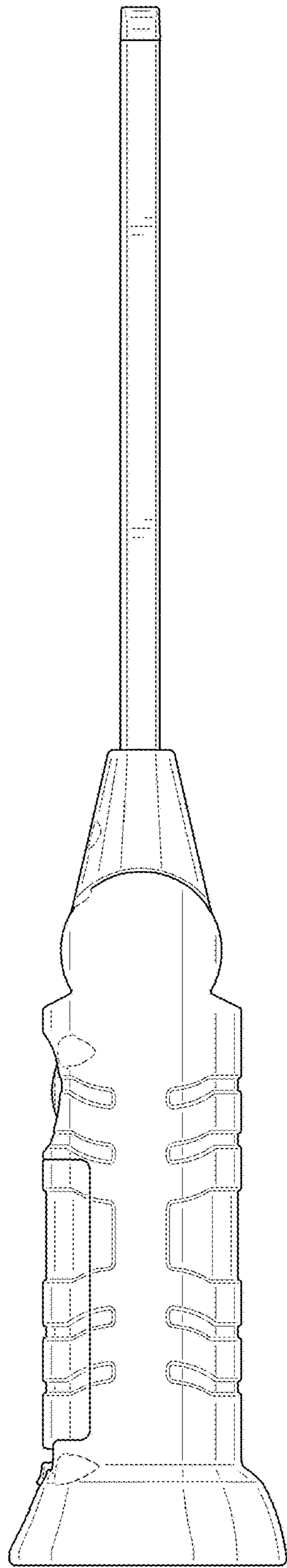


FIG. 4

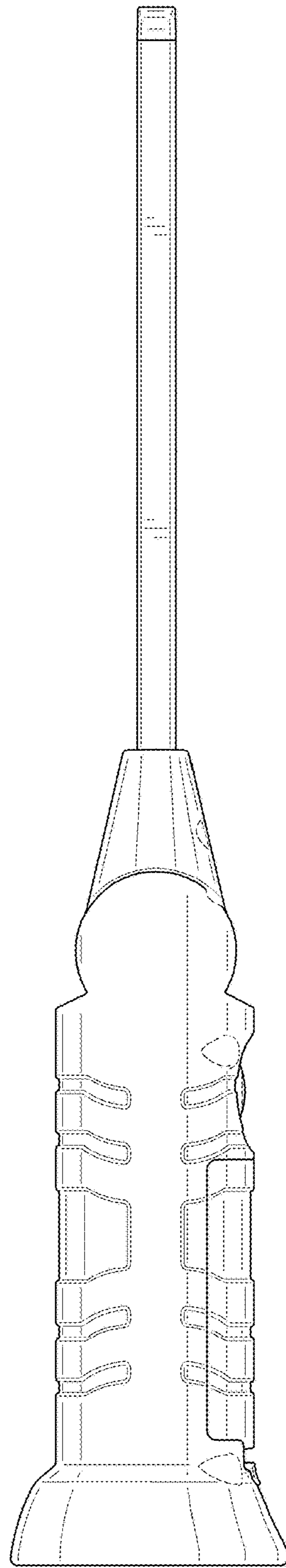


FIG. 5

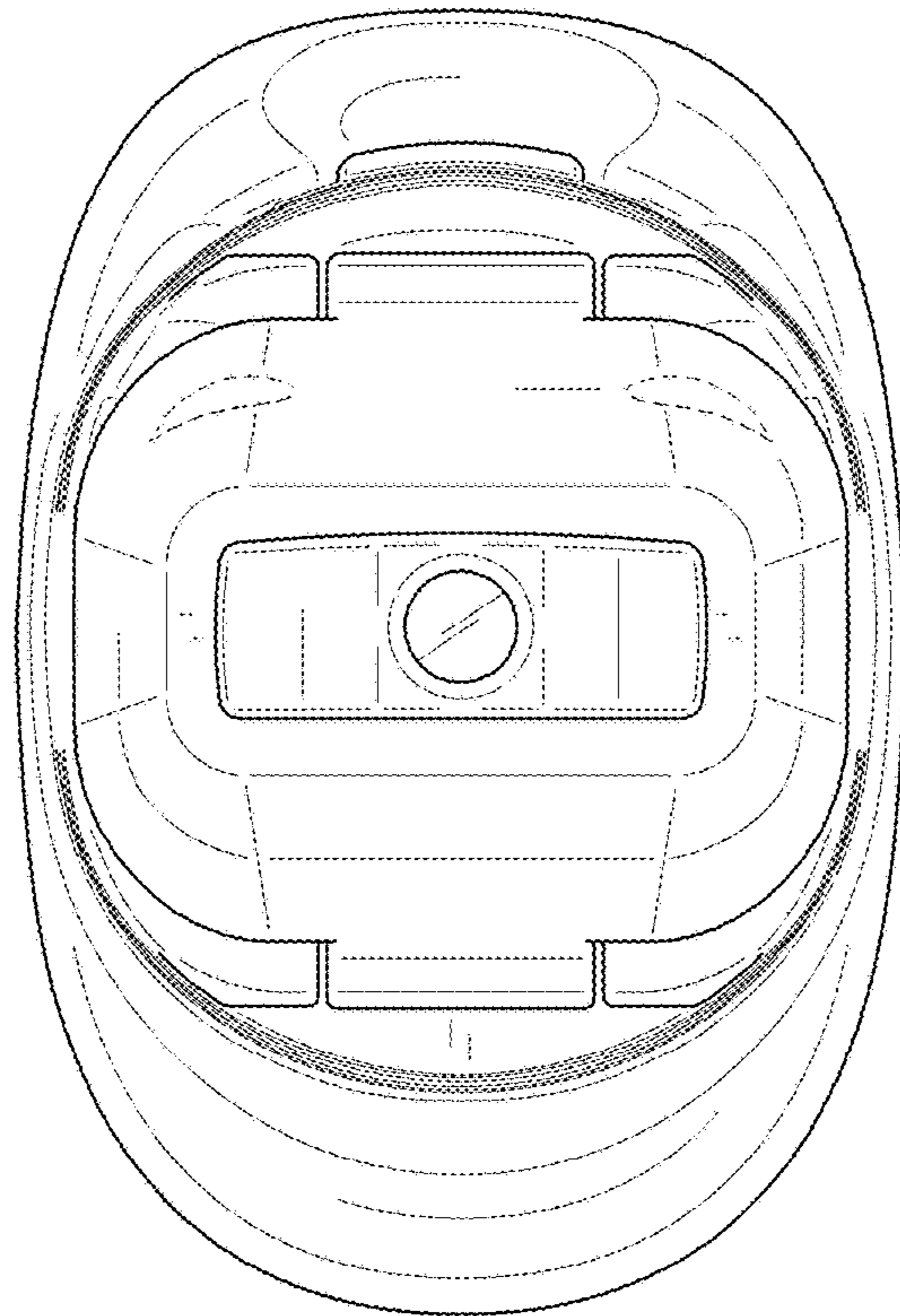


FIG. 6

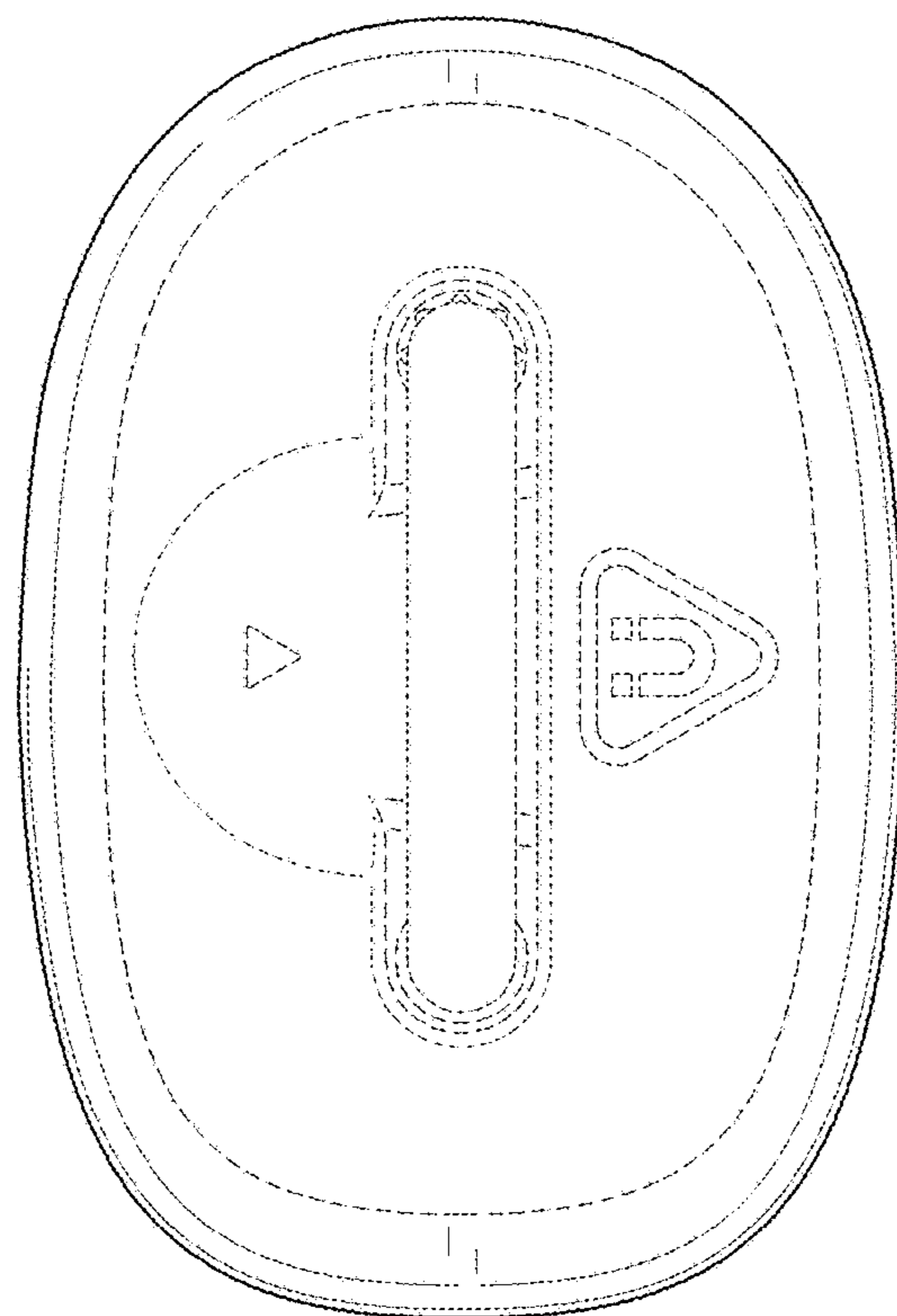


FIG. 7

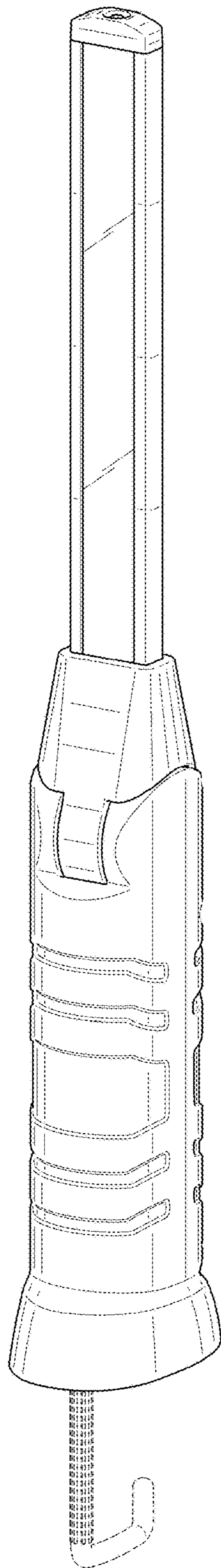


FIG. 8

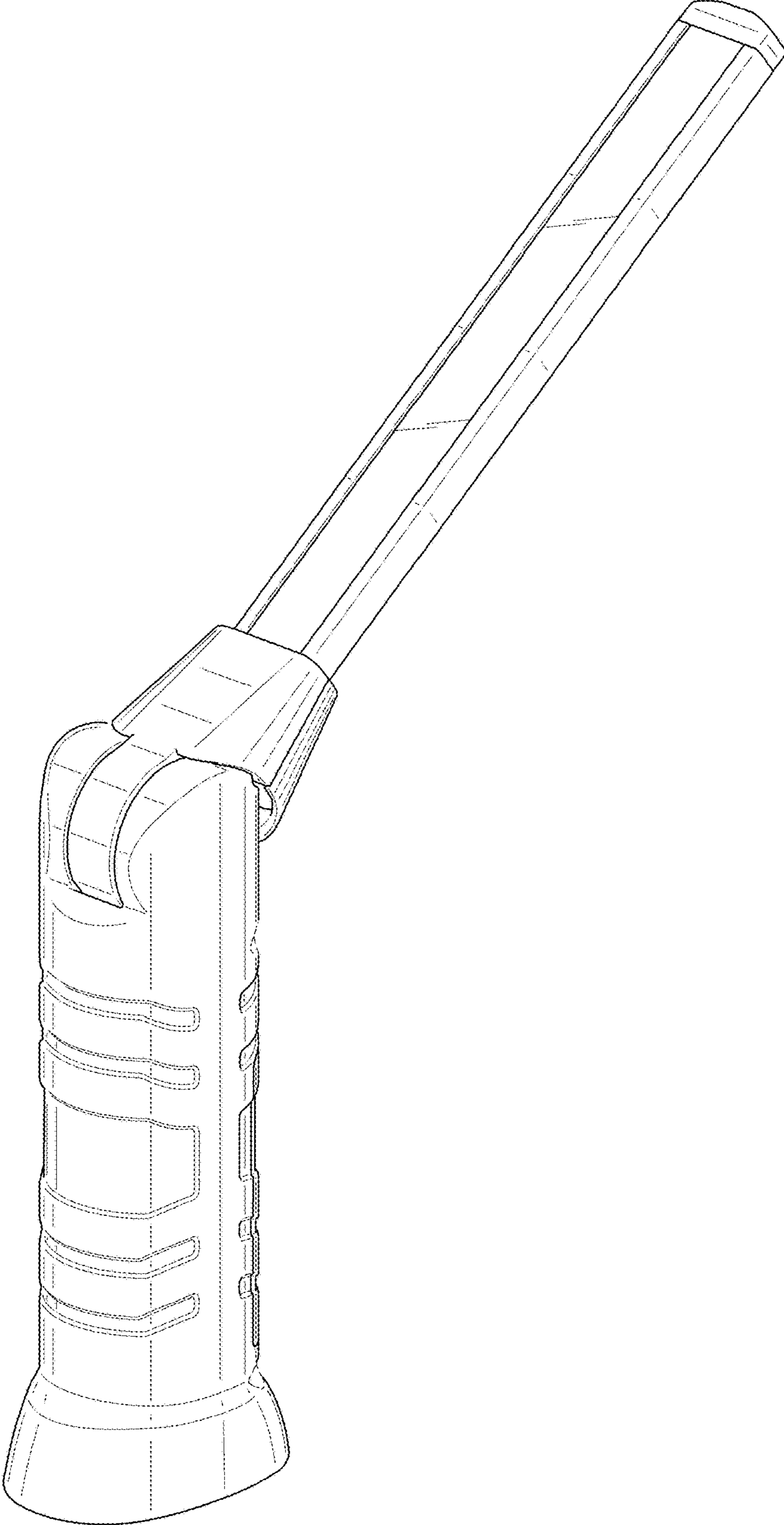


FIG. 9