



US00D840072S

(12) **United States Design Patent** (10) **Patent No.:** **US D840,072 S**
Yuan (45) **Date of Patent:** **** Feb. 5, 2019**

(54) **WORK LIGHT**
(71) Applicant: **NINGBO AUMA ELECTRIC TECHNOLOGY CO., LTD.**, Yuyao, Zhejiang Province (CN)
(72) Inventor: **Wei-Wu Yuan**, Yuyao (CN)
(73) Assignee: **Ningbo Auma Electric Technology Co., Ltd.**, Yuyao (CN)
(**) Term: **15 Years**
(21) Appl. No.: **29/571,862**
(22) Filed: **Jul. 22, 2016**
(51) **LOC (11) Cl.** **26-02**
(52) **U.S. Cl.**
USPC **D26/37**
(58) **Field of Classification Search**
USPC D26/37, 46, 38, 49, 51, 44, 62, 63, 65
CPC F21L 2003/00; F21L 4/00; F21L 4/005; F21L 4/02; F21L 4/025; F21L 4/027; F21L 4/04; F21L 4/08; F21L 2005/00; F21L 7/00; F21L 11/00; F21L 13/00; F21L 13/04; F21L 13/08; F21L 14/02; F21L 17/00; F21L 19/00
See application file for complete search history.

(56) **References Cited**
U.S. PATENT DOCUMENTS
D495,073 S * 8/2004 Kumthampinij D26/37
D505,782 S * 6/2005 Chen D3/209
D549,859 S * 8/2007 Kovacic D26/37
D593,236 S * 5/2009 Ng D26/37
D593,238 S * 5/2009 Allen D26/37
D606,691 S * 12/2009 Lindholm D26/63
D617,930 S * 6/2010 Chen D26/60
D638,571 S * 5/2011 Chilton D26/93

D646,417 S * 10/2011 Wauters D26/63
D682,451 S * 5/2013 Hardy D26/60
D687,590 S * 8/2013 Chilton D26/93
D698,477 S * 1/2014 Korpi D26/63
D725,809 S * 3/2015 Ford D26/37
D732,220 S * 6/2015 Bao D26/63
D735,387 S * 7/2015 Bao D26/63
D737,491 S * 8/2015 Shen D26/50
D738,022 S * 9/2015 Shen D26/50
D744,139 S * 11/2015 Itoh D26/63
D750,307 S * 2/2016 Borring D26/63
D750,311 S * 2/2016 Popovic D26/118
D766,481 S * 9/2016 Lipson D26/63
D779,092 S * 2/2017 Xu D26/37
D779,095 S * 2/2017 Xu D26/63
D779,096 S * 2/2017 Xu D26/63
D780,969 S * 3/2017 Zhu D26/63

* cited by examiner

Primary Examiner — Lakiya G Rogers
Assistant Examiner — Carissa C Fitts
(74) *Attorney, Agent, or Firm* — Gokalp Bayramoglu

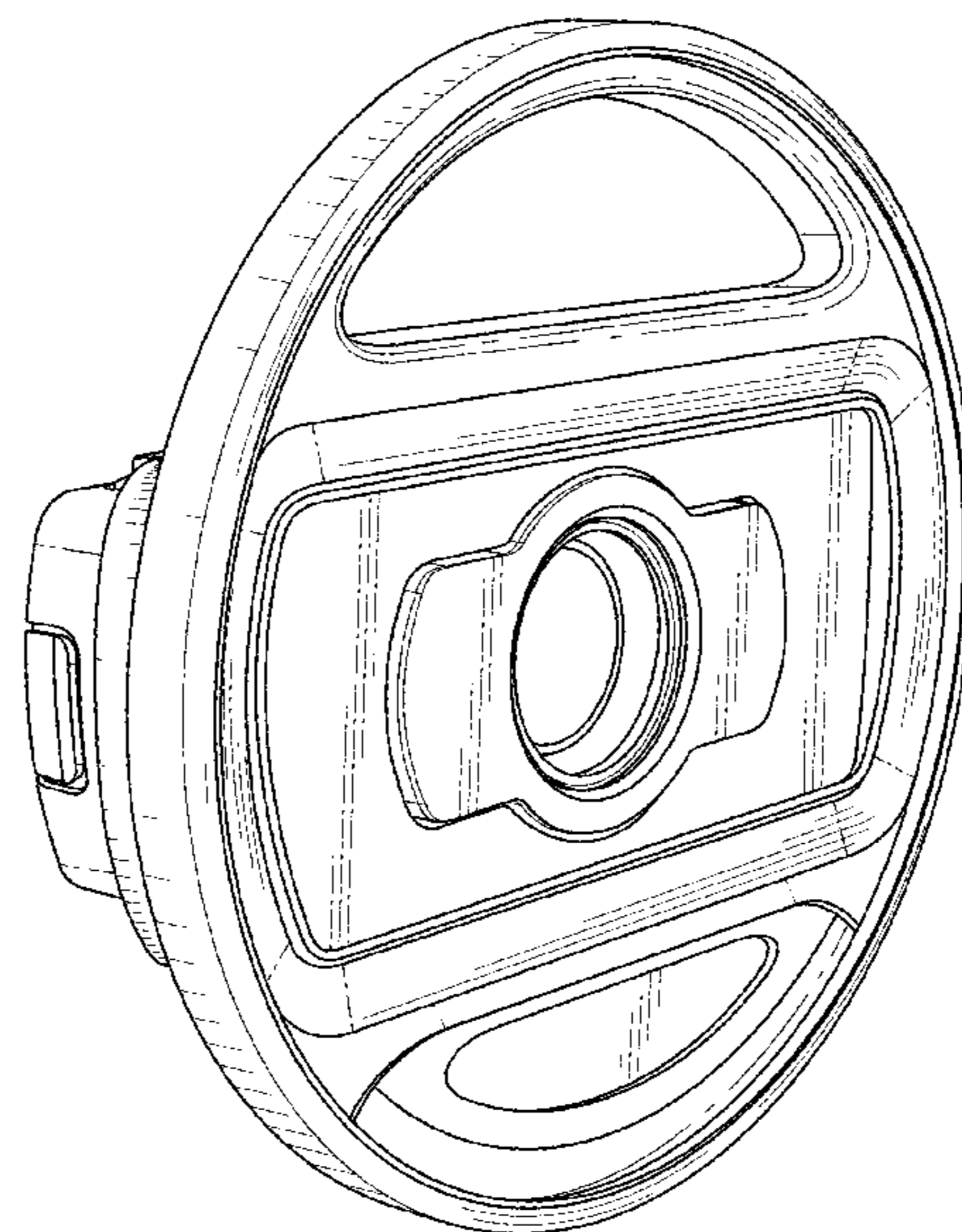
(57) **CLAIM**

The ornamental design for a work light, as shown and described.

DESCRIPTION

FIG. 1 is a first perspective view of the work light, showing our new design;
FIG. 2 is a second perspective view thereof;
FIG. 3 is a front elevational view thereof;
FIG. 4 is a rear elevational view thereof;
FIG. 5 is a left side elevational view thereof;
FIG. 6 is a right side elevational view thereof;
FIG. 7 is a top elevational view thereof; and,
FIG. 8 is a bottom elevational view thereof.
The broken lines show portions of the article not claimed and form no part of the claimed design.

1 Claim, 8 Drawing Sheets



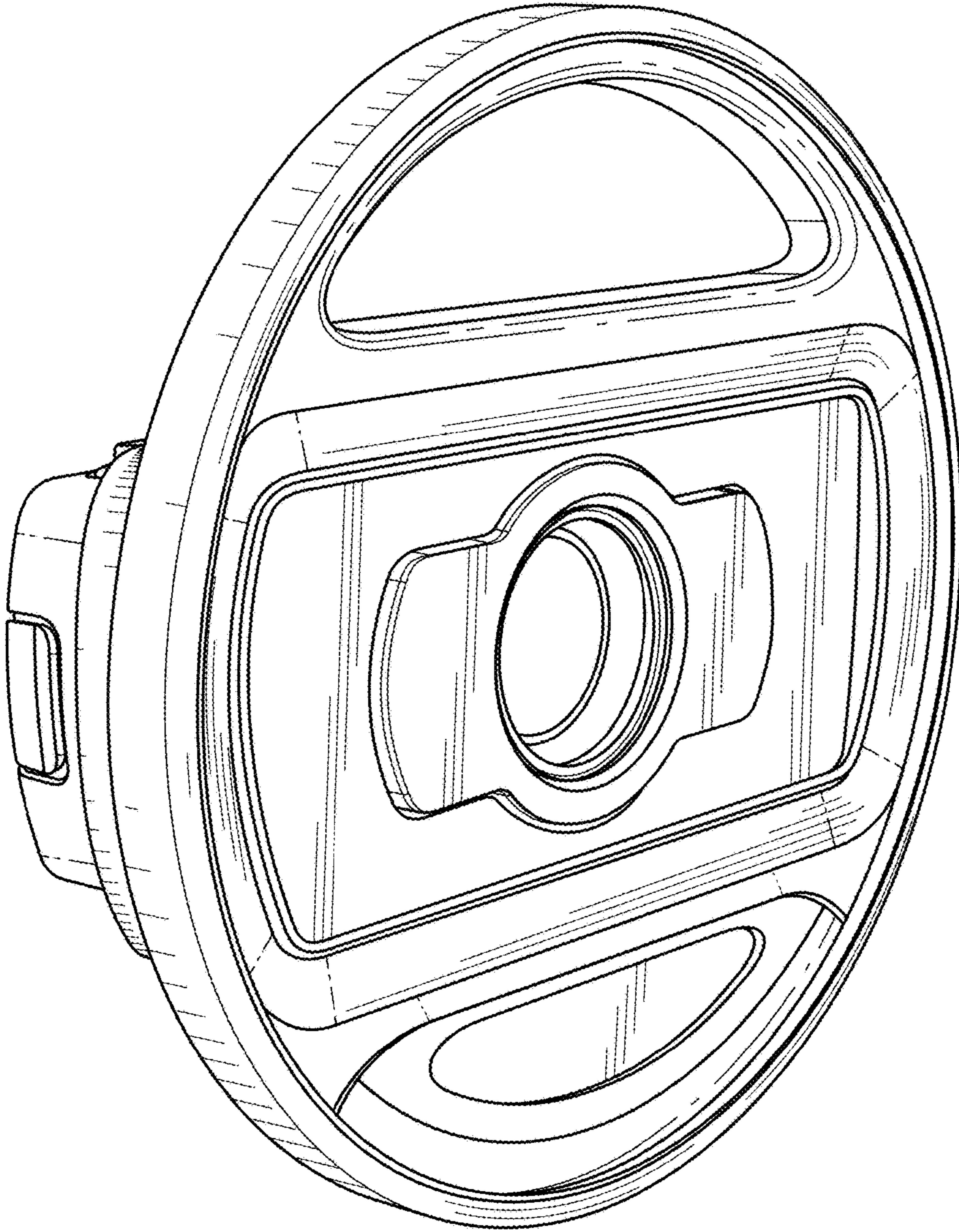


Fig. 1

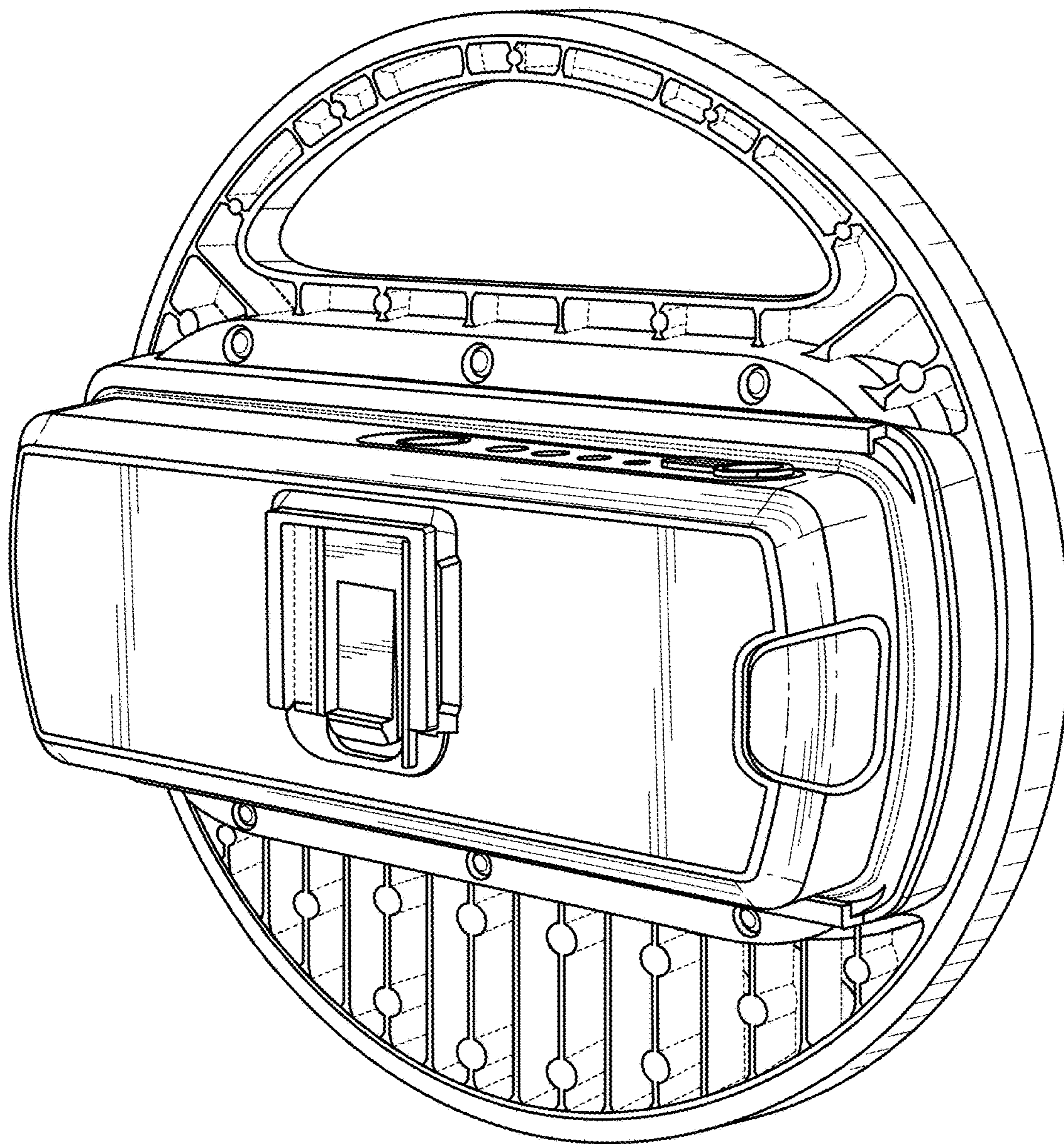


Fig. 2

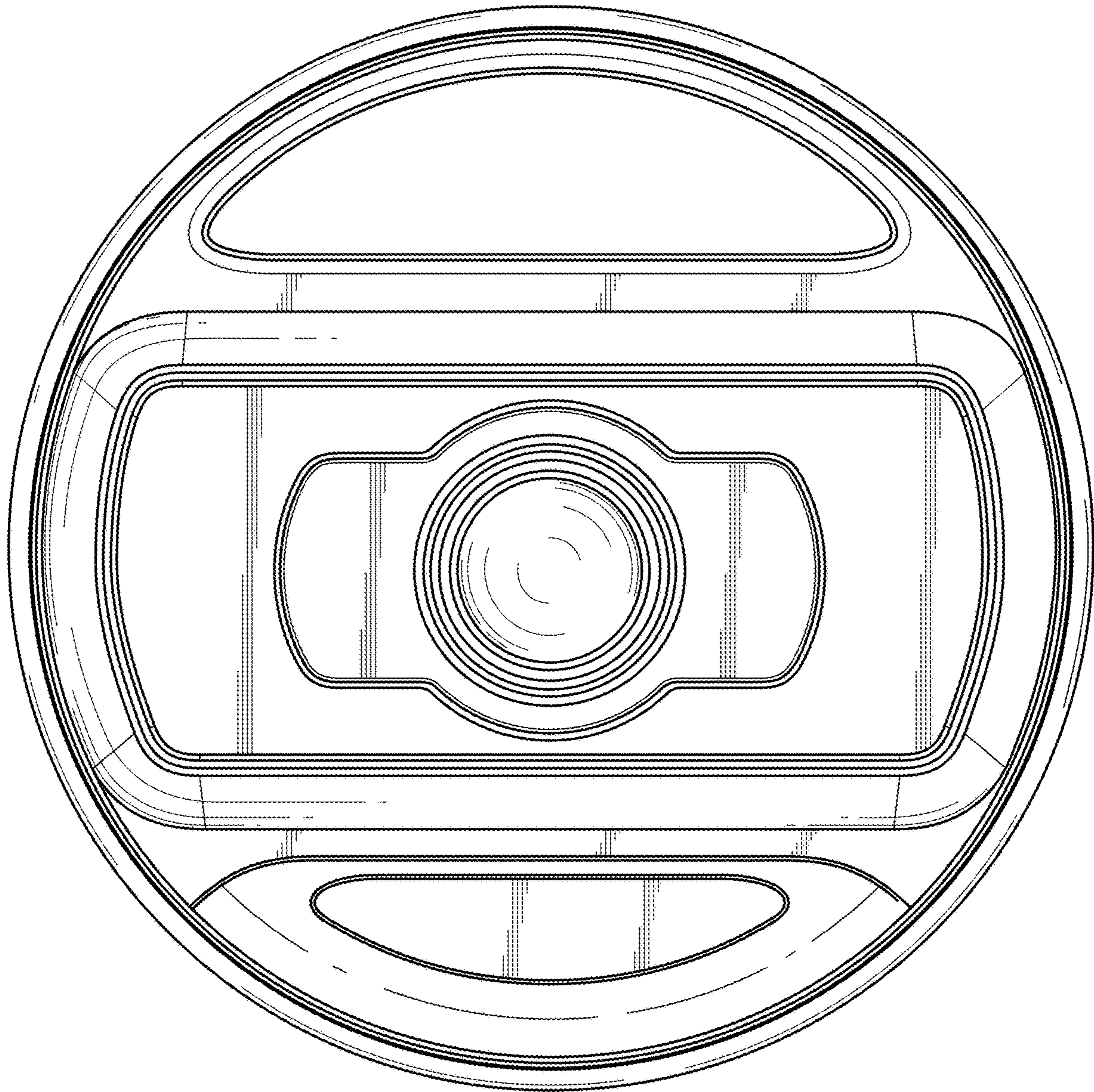


Fig. 3

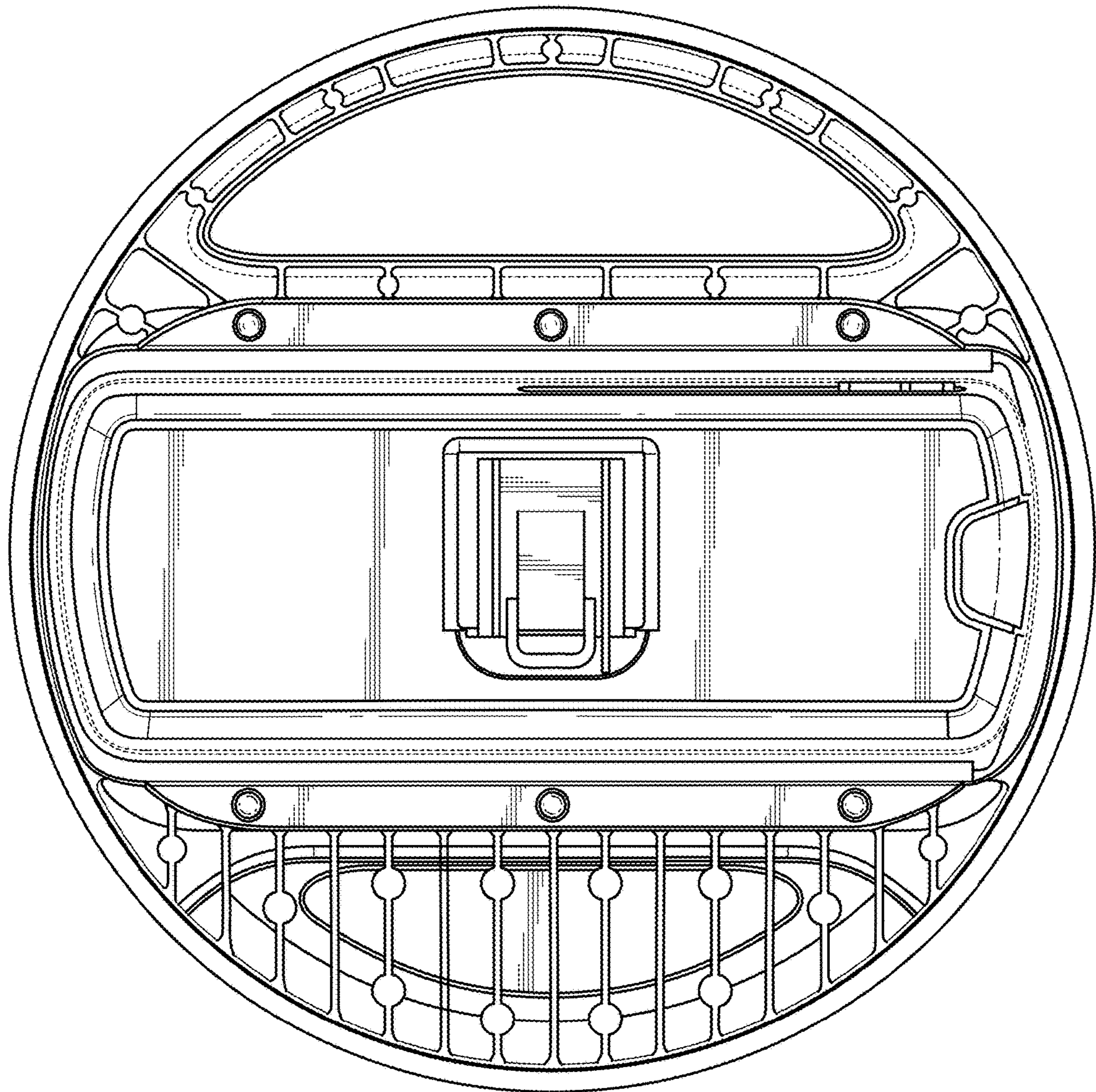


Fig. 4

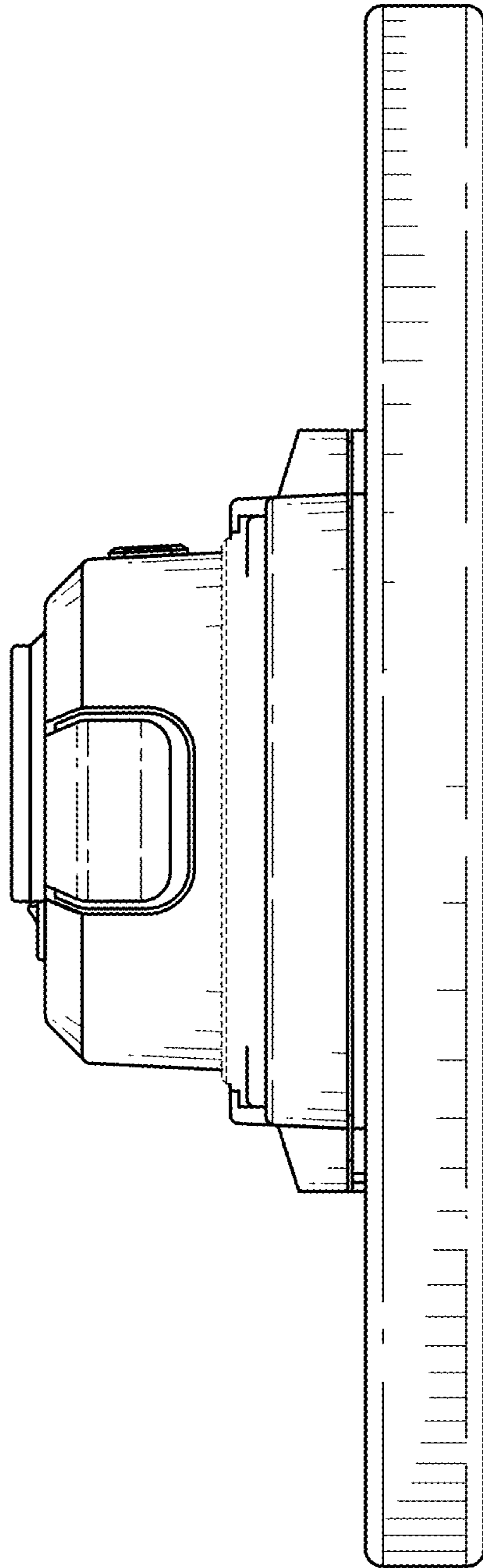


Fig. 5

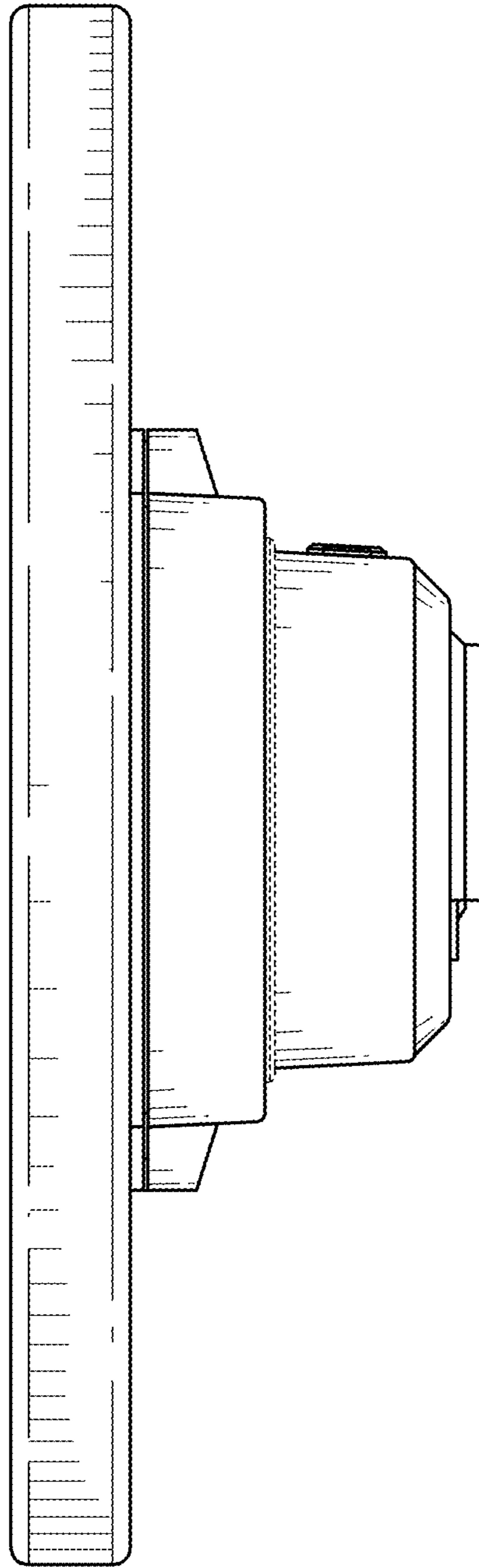


Fig. 6

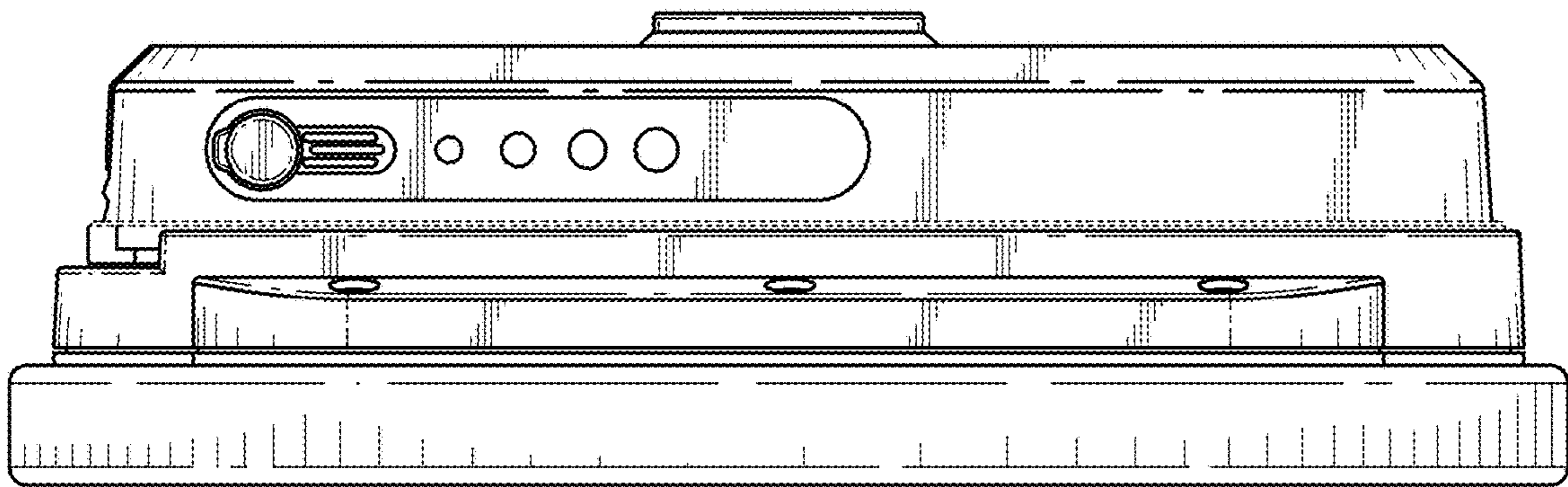


Fig. 7

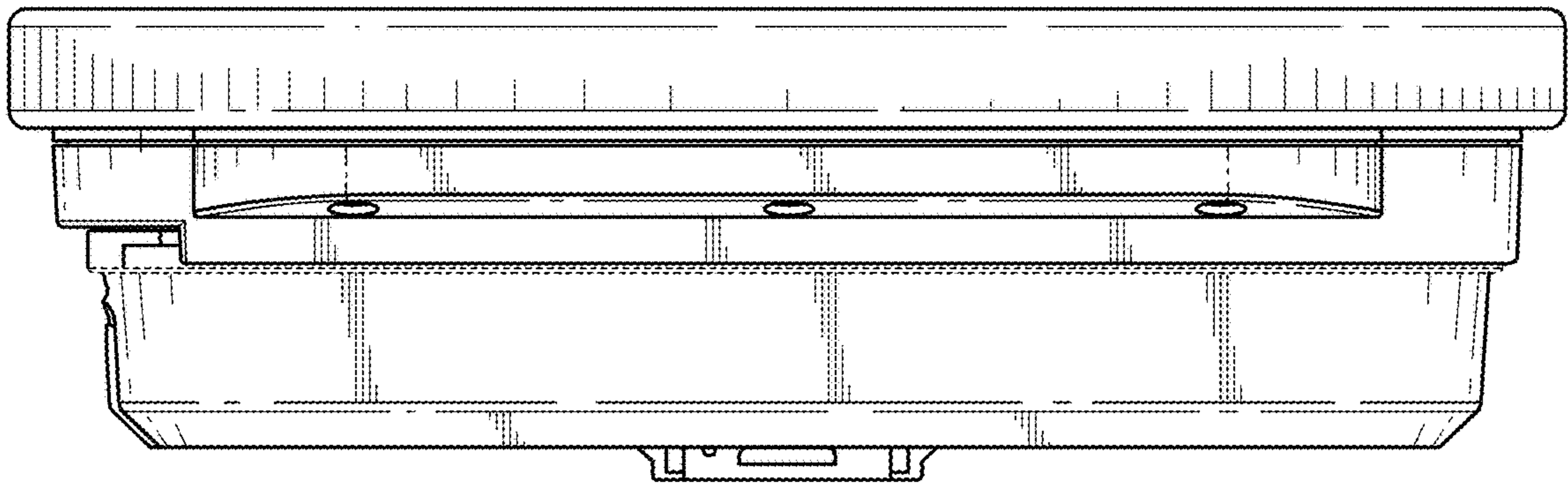


Fig. 8