



US00D840067S

(12) **United States Design Patent**
Ding

(10) **Patent No.:** **US D840,067 S**

(45) **Date of Patent:** **** Feb. 5, 2019**

(54) **TAILLIGHT**

D540,967 S * 4/2007 Rogers D26/28
D548,374 S * 8/2007 Lassen D26/28
D756,008 S * 5/2016 Wilson D26/31

(71) Applicant: **Yanqing Ding**, Ningbo (CN)

* cited by examiner

(72) Inventor: **Yanqing Ding**, Ningbo (CN)

(73) Assignee: **NINGBO YAOXING ELECTRONIC TECHNOLOGY CO., LTD.**, Ningbo (CN)

Primary Examiner — Marcus A Jackson

(74) *Attorney, Agent, or Firm* — Law Offices of Steven W. Weinrieb

(**) Term: **15 Years**

(21) Appl. No.: **29/635,128**

(57) **CLAIM**

(22) Filed: **Jan. 29, 2018**

The ornamental design for a taillight, as shown and described.

(51) **LOC (11) Cl.** **26-06**

(52) **U.S. Cl.**
USPC **D26/28**

(58) **Field of Classification Search**
USPC D26/28–36
CPC B60Q 9/13; B60Q 9/135; B60Q 9/1375;
F21S 48/00; F21S 48/10; F21S 48/115;
F21S 48/225; F21S 48/1233; F21S
48/1266; F21S 48/1388; F21S 48/2268;
F21V 21/04
See application file for complete search history.

DESCRIPTION

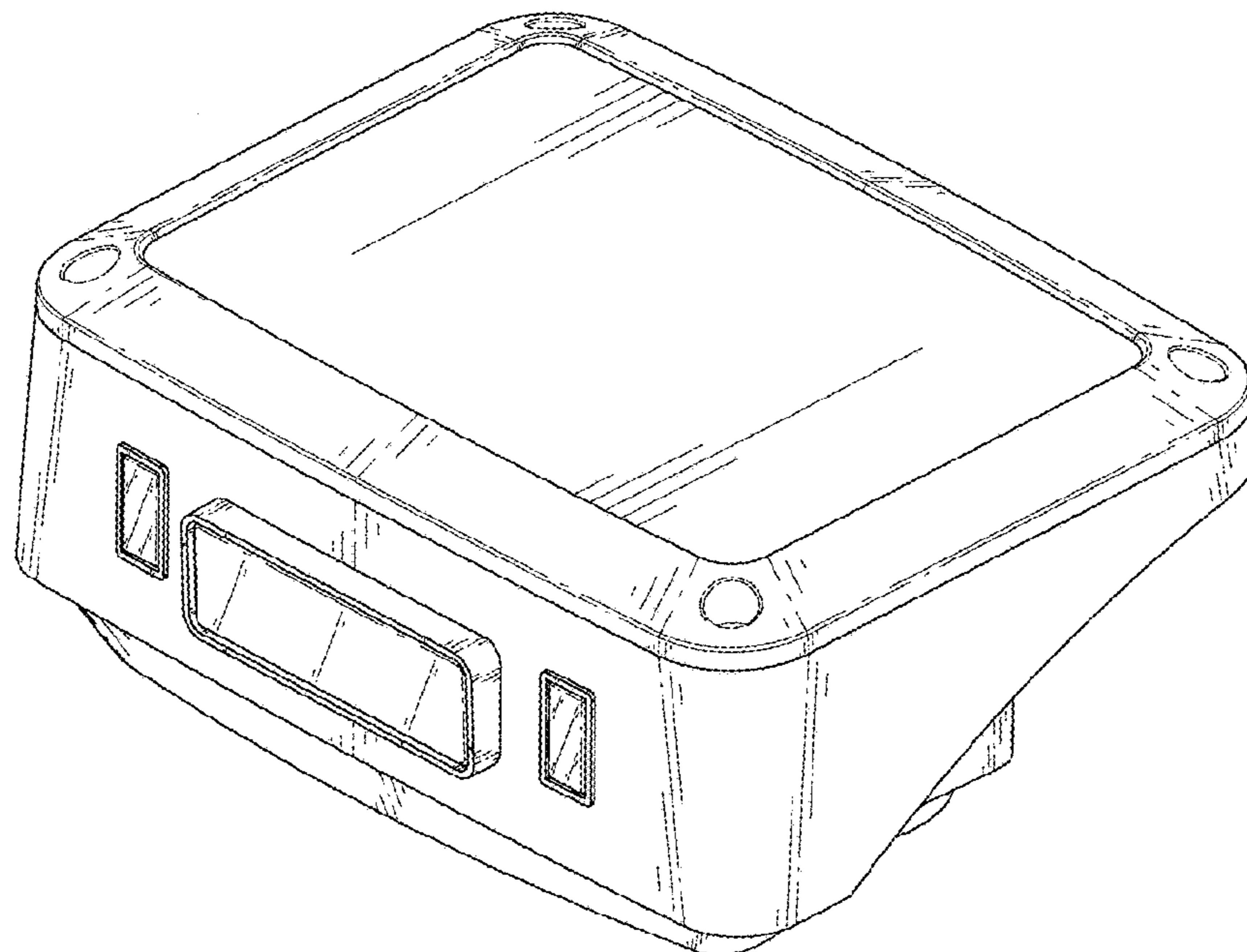
FIG. 1 is a front, right side, top perspective view of the taillight showing my new design;
FIG. 2 is a rear, left side, bottom perspective view thereof;
FIG. 3 is a top plan view thereof;
FIG. 4 is a bottom plan view thereof.
FIG. 5 is a right side elevational view thereof;
FIG. 6 is a left side elevational view thereof;
FIG. 7 is a front elevational view thereof; and,
FIG. 8 is a rear elevational view thereof.

(56) **References Cited**

U.S. PATENT DOCUMENTS

D360,042 S * 7/1995 Taylor D26/28
D413,174 S * 8/1999 Mayer D26/28

1 Claim, 8 Drawing Sheets



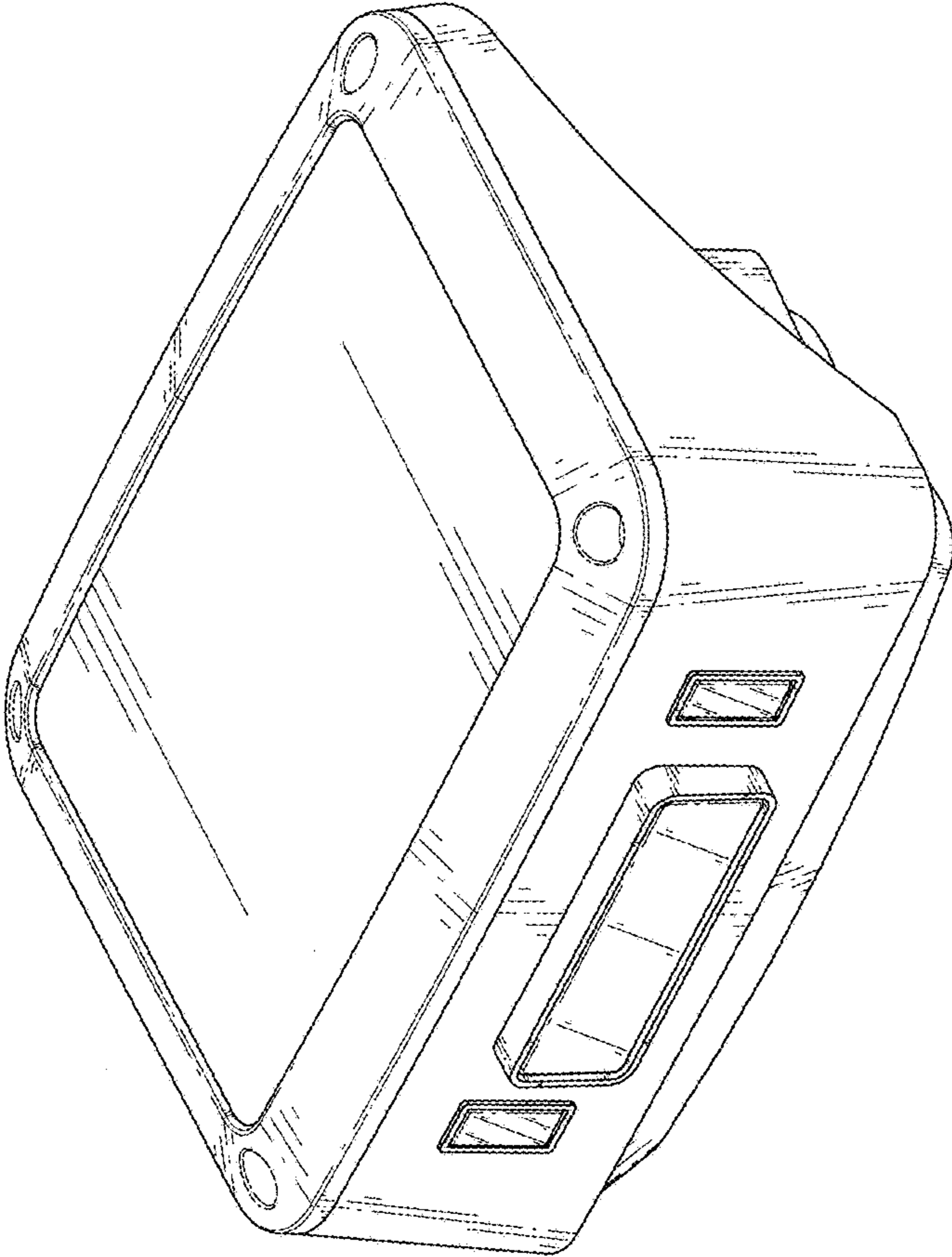


FIG. 1

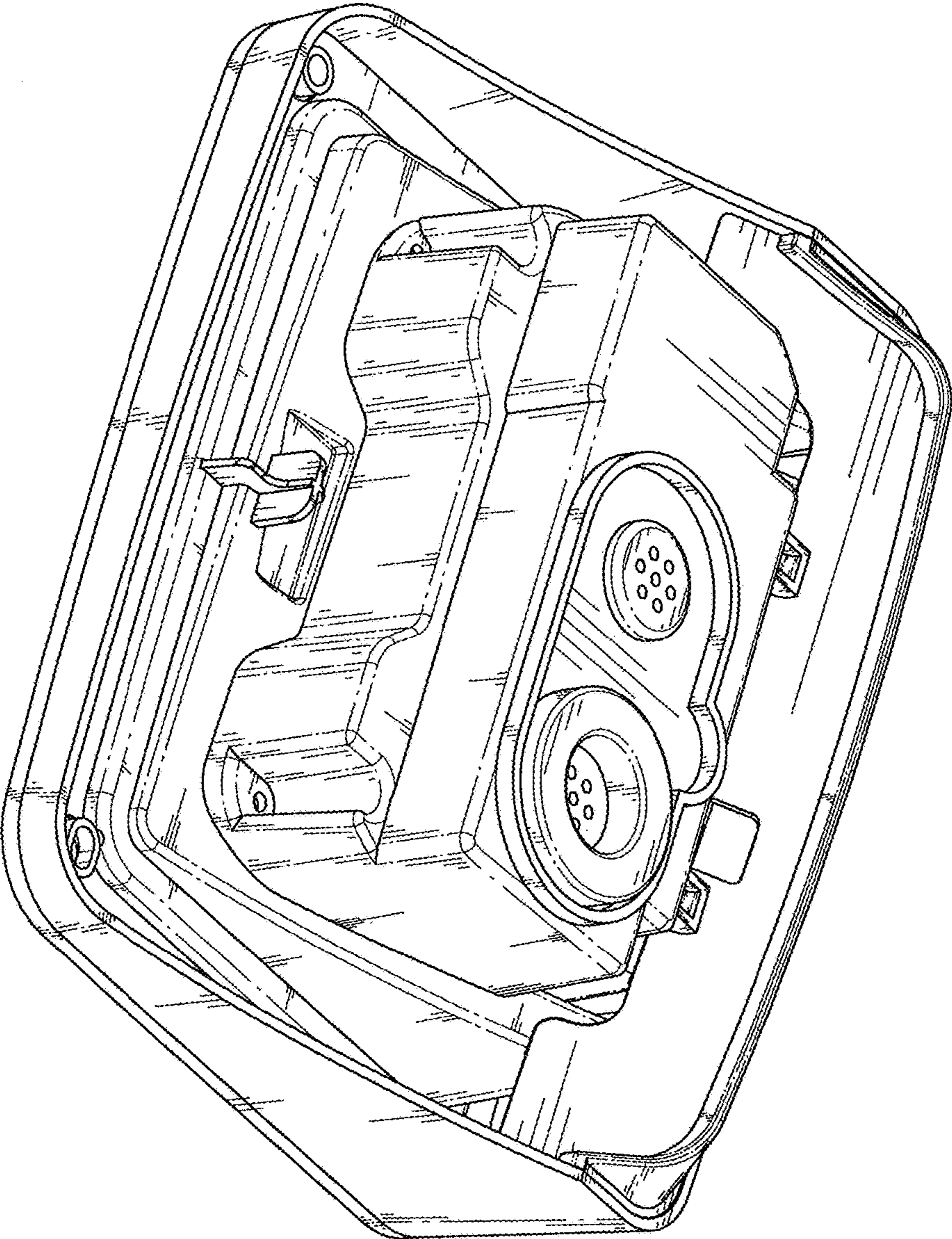


FIG. 2

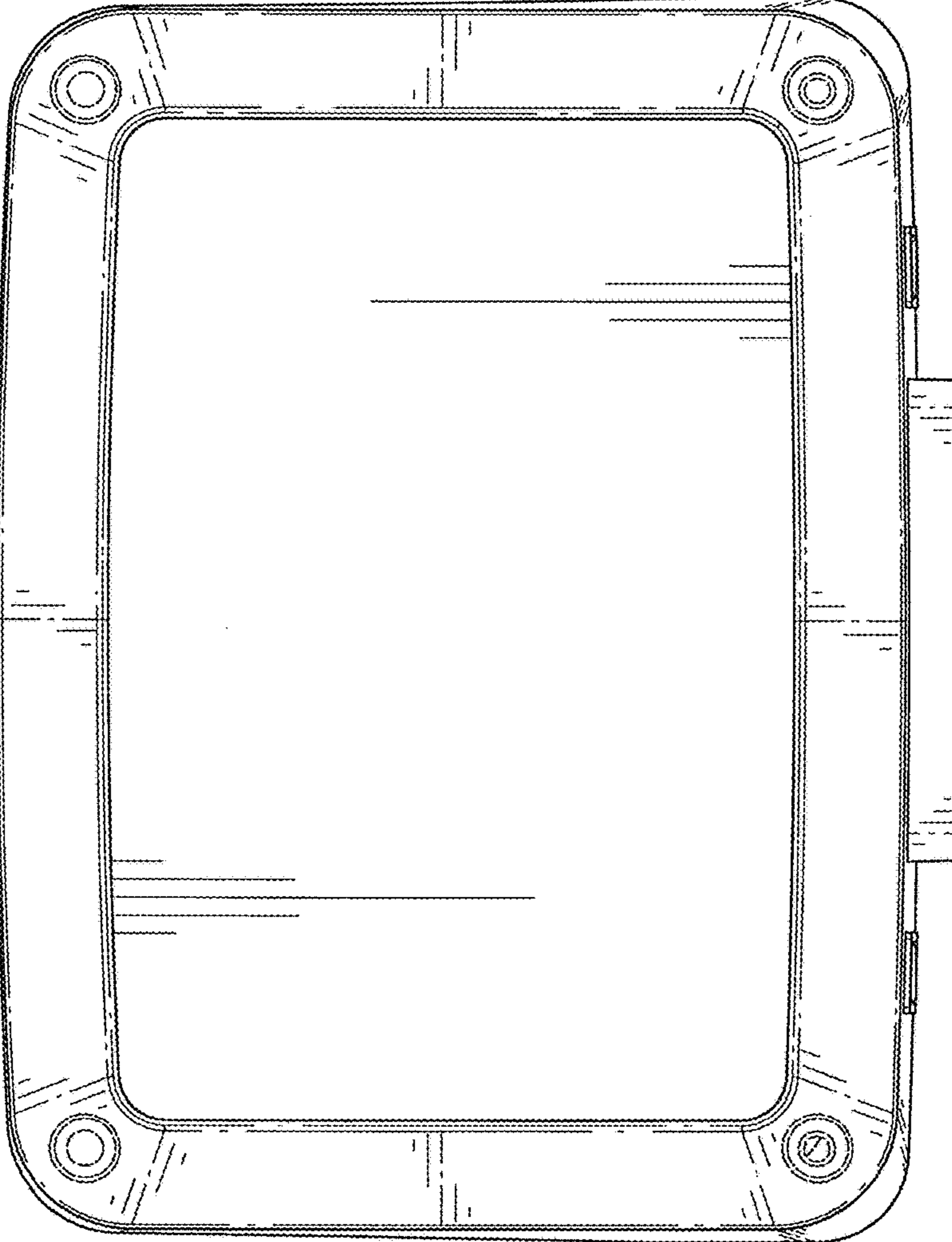


FIG. 3

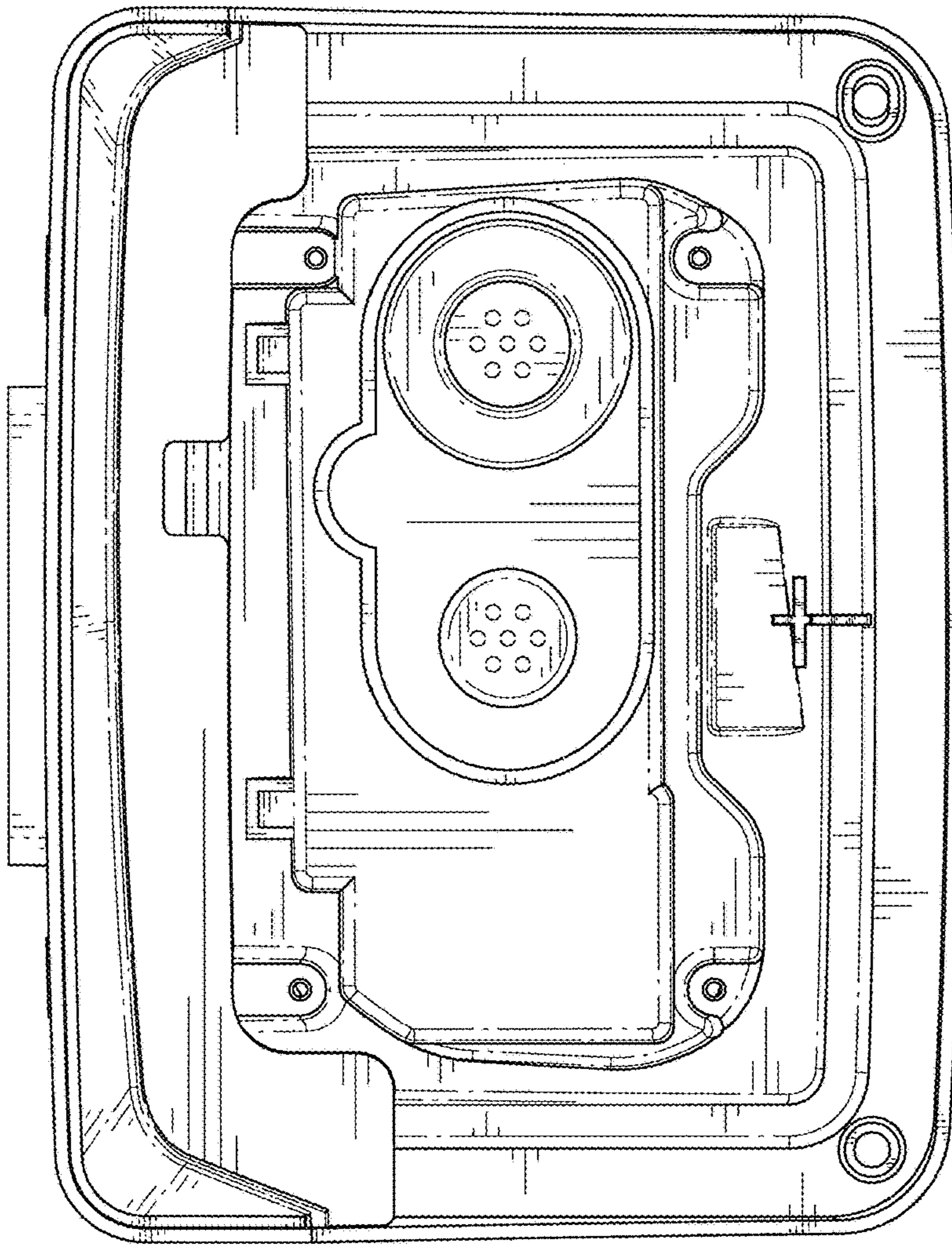


FIG. 4

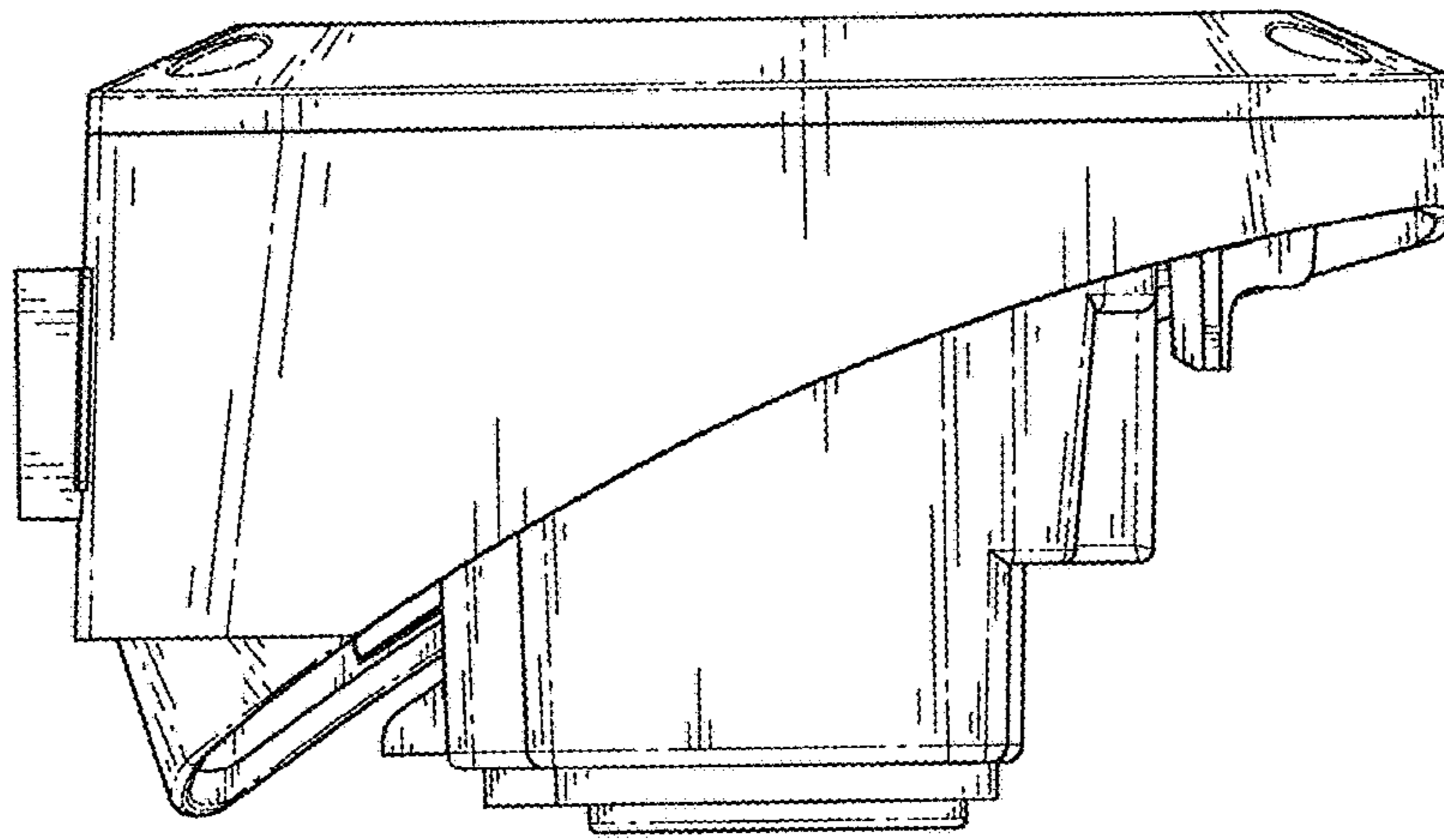


FIG. 5

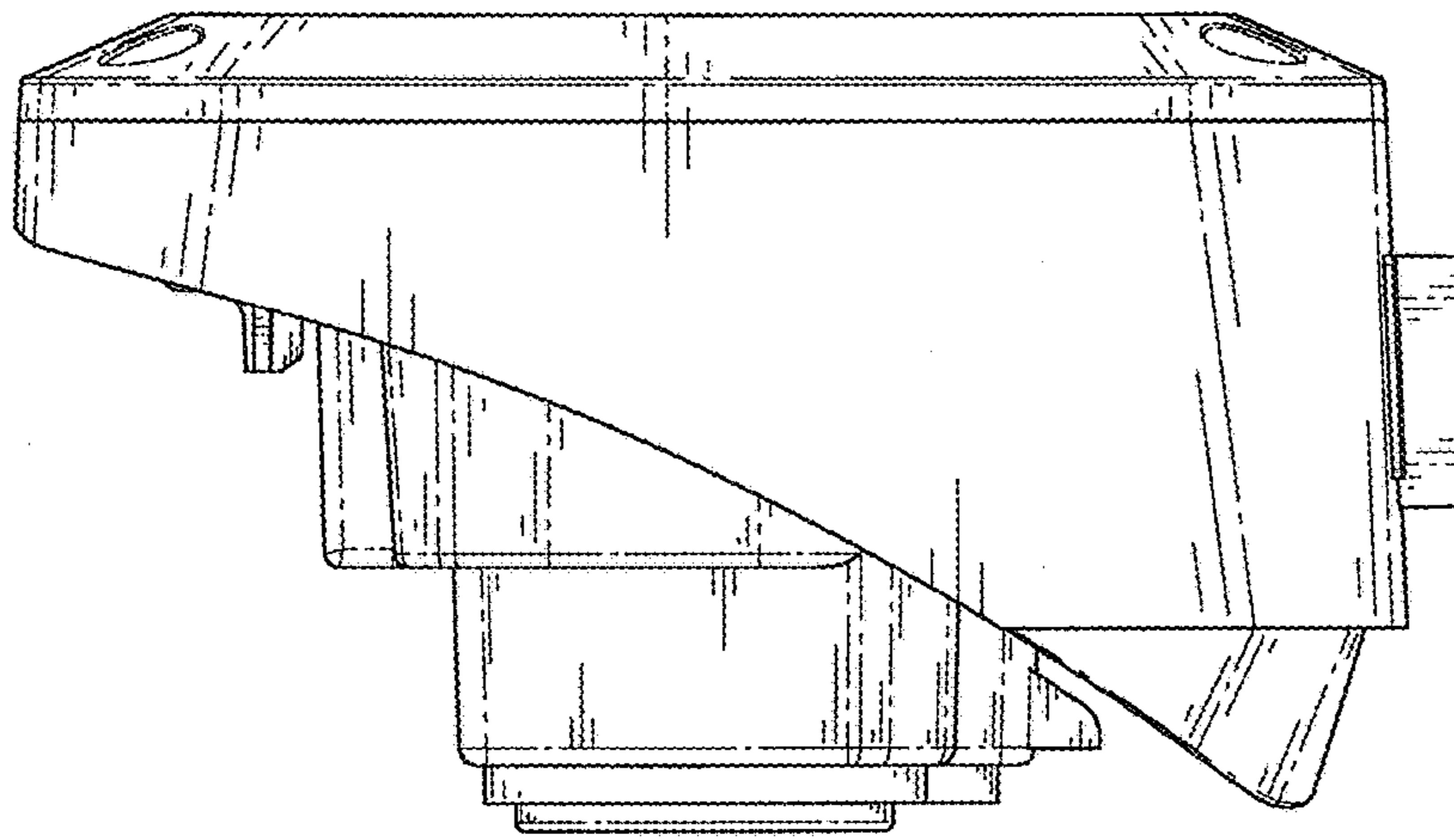


FIG. 6

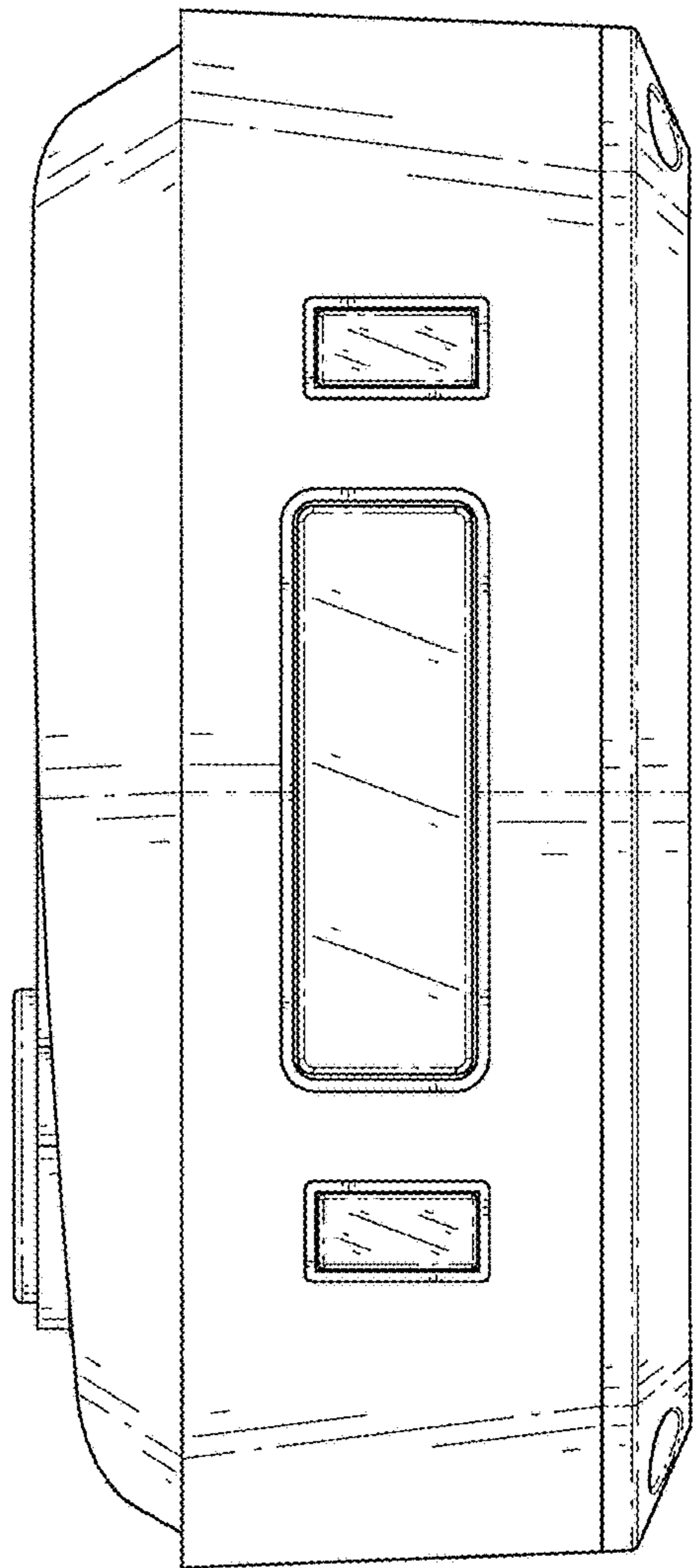


FIG. 7

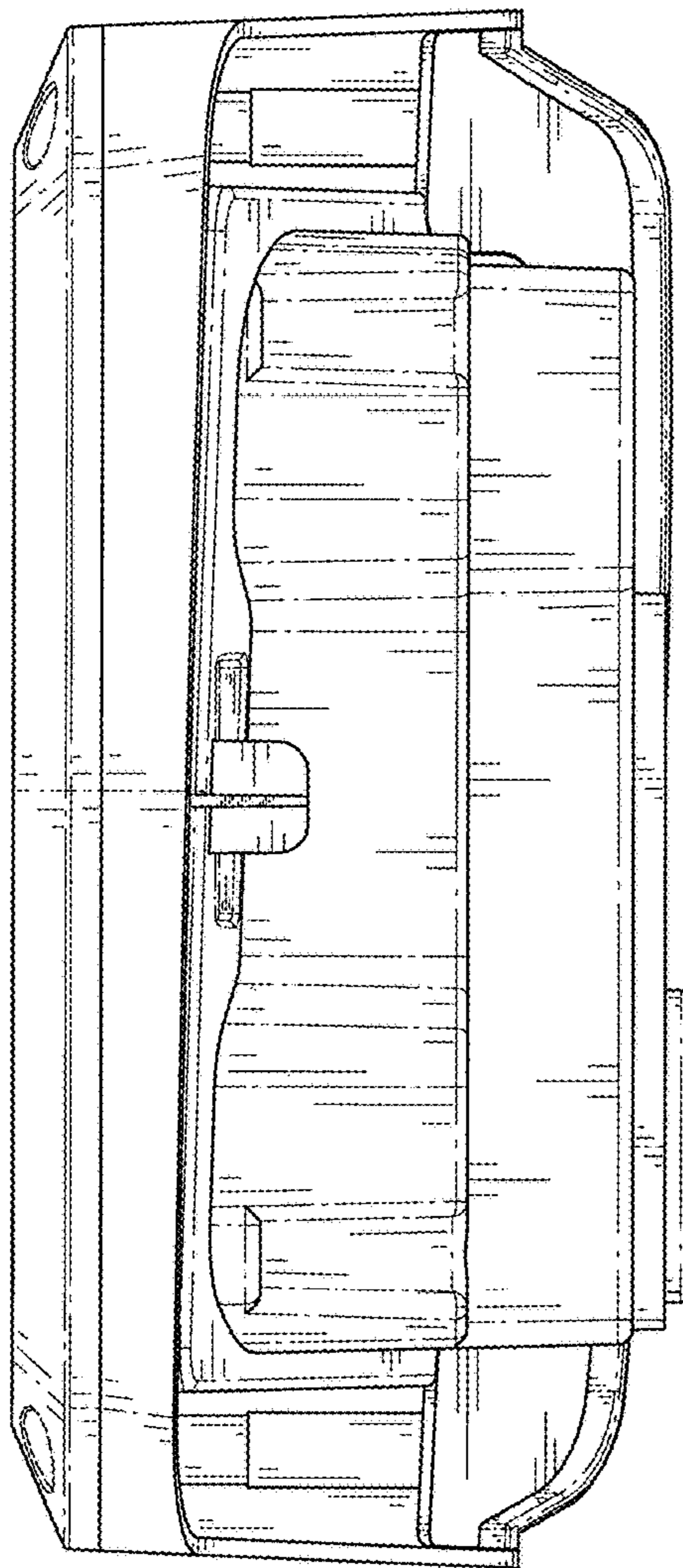


FIG. 8