

US00D840065S

(12) **United States Design Patent** (10) **Patent No.:** **US D840,065 S**
Tsukui et al. (45) **Date of Patent:** **** Feb. 5, 2019**

(54) **HEADLIGHT CASE FOR A MOTORCYCLE**

(71) Applicant: **HONDA MOTOR CO., LTD.**, Tokyo (JP)

(72) Inventors: **Hiroaki Tsukui**, Wako (JP); **Takashi Watanabe**, Wako (JP)

(73) Assignee: **HONDA MOTOR CO., LTD.**, Tokyo (JP)

(**) Term: **15 Years**

(21) Appl. No.: **29/618,295**

(22) Filed: **Sep. 20, 2017**

(30) **Foreign Application Priority Data**

Mar. 24, 2017 (JP) 2017-006043

(51) **LOC (11) Cl.** **20-06**

(52) **U.S. Cl.**
USPC **D26/28**

(58) **Field of Classification Search**
USPC D26/24, 29-36, 93, 106, 107, 108, 110, D26/112

CPC F21S 48/00; F21S 48/10; F21S 48/115; F21S 48/1233

See application file for complete search history.

(56) **References Cited**

U.S. PATENT DOCUMENTS

D613,440 S *	4/2010	Lindholm	D26/63
D657,081 S *	4/2012	Alisauskas	D26/28
D694,920 S *	12/2013	Jurgens	D26/28
D708,373 S *	7/2014	Kani	D26/28
D711,023 S *	8/2014	Wu	D26/28

D739,577 S *	9/2015	Kani	D26/28
D747,524 S *	1/2016	Jacq	D26/63
D760,407 S *	6/2016	Yang	D26/28
D769,481 S *	10/2016	Lai	D26/28
D775,381 S *	12/2016	Jacq	D26/28
D787,717 S *	5/2017	Jacq	D26/28
D788,334 S *	5/2017	Jacq	D26/28
D793,590 S *	8/2017	Kozub	D26/28
D799,082 S *	10/2017	Lai	D26/28
D802,811 S *	11/2017	Lai	D26/28
D810,331 S *	2/2018	Jacq	D26/28
D810,332 S *	2/2018	Jacq	D26/28
D810,973 S *	2/2018	Jacq	D26/28

* cited by examiner

Primary Examiner — Mark A Goodwin

Assistant Examiner — Benjamin M Weeks

(74) *Attorney, Agent, or Firm* — Birch, Stewart, Kolasch & Birch, LLP

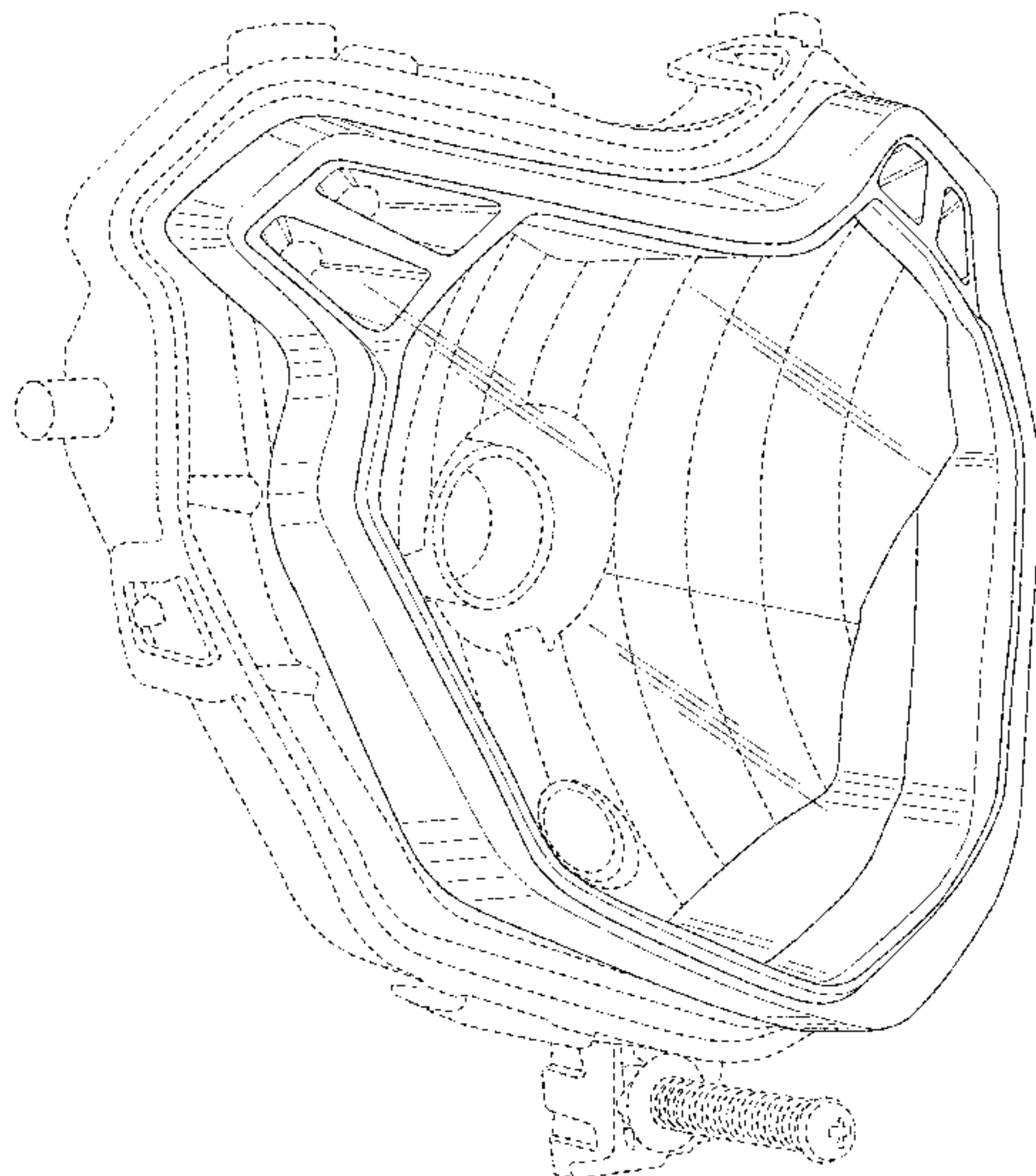
(57) **CLAIM**

The ornamental design for a headlight case for a motorcycle, as shown and described.

DESCRIPTION

FIG. 1 is a front, right perspective view of a headlight case for a motorcycle showing our new design;
 FIG. 2 is a front elevational view thereof;
 FIG. 3 is a top plan view thereof;
 FIG. 4 is a right side elevational view thereof;
 FIG. 5 is a left side elevational view thereof;
 FIG. 6 is a bottom view thereof; and,
 FIG. 7 is a front, left perspective view thereof.
 The broken lines in the drawings illustrate portions of the headlight case for a motorcycle that form no part of the claimed design.

1 Claim, 7 Drawing Sheets



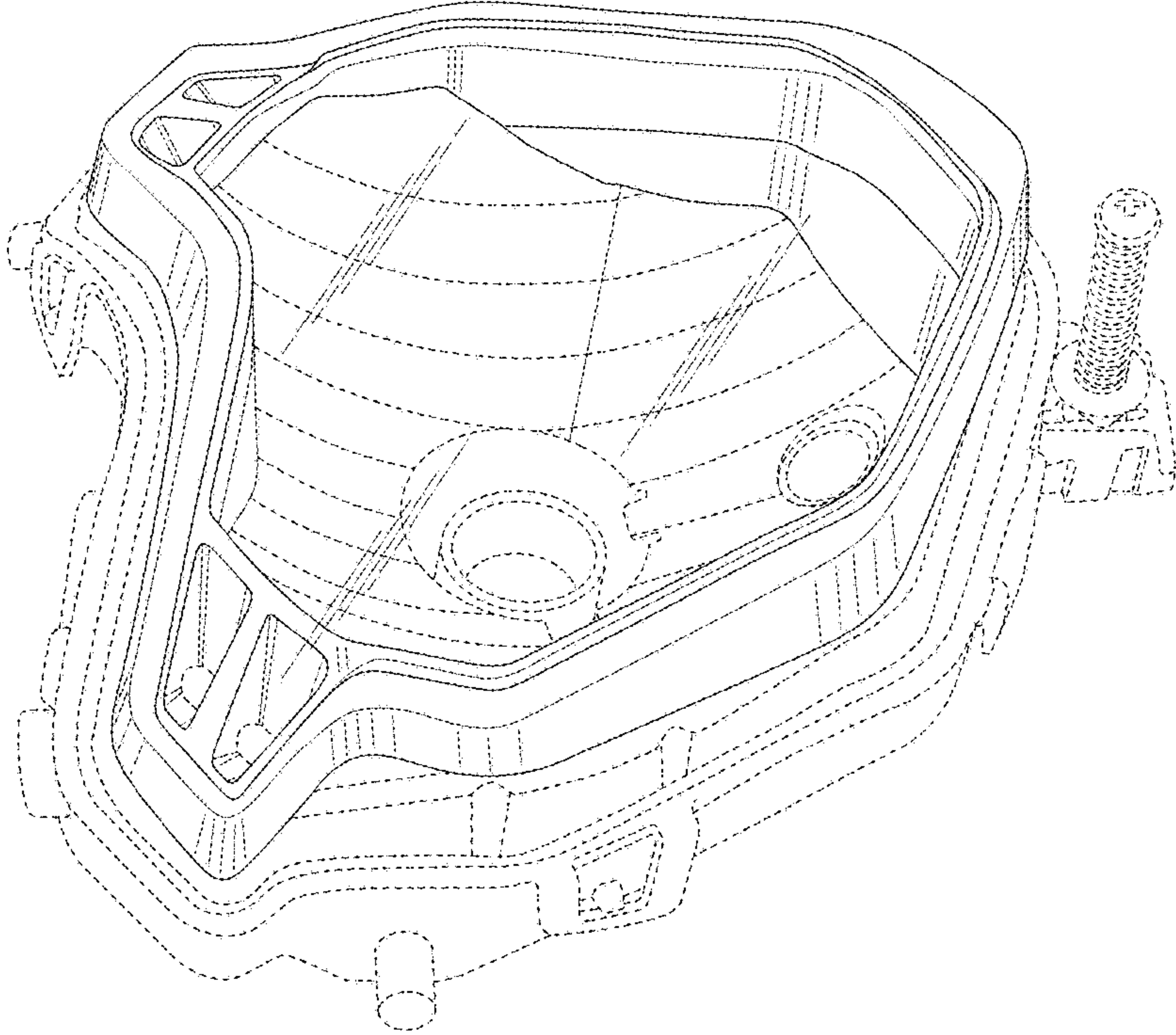


FIG.1

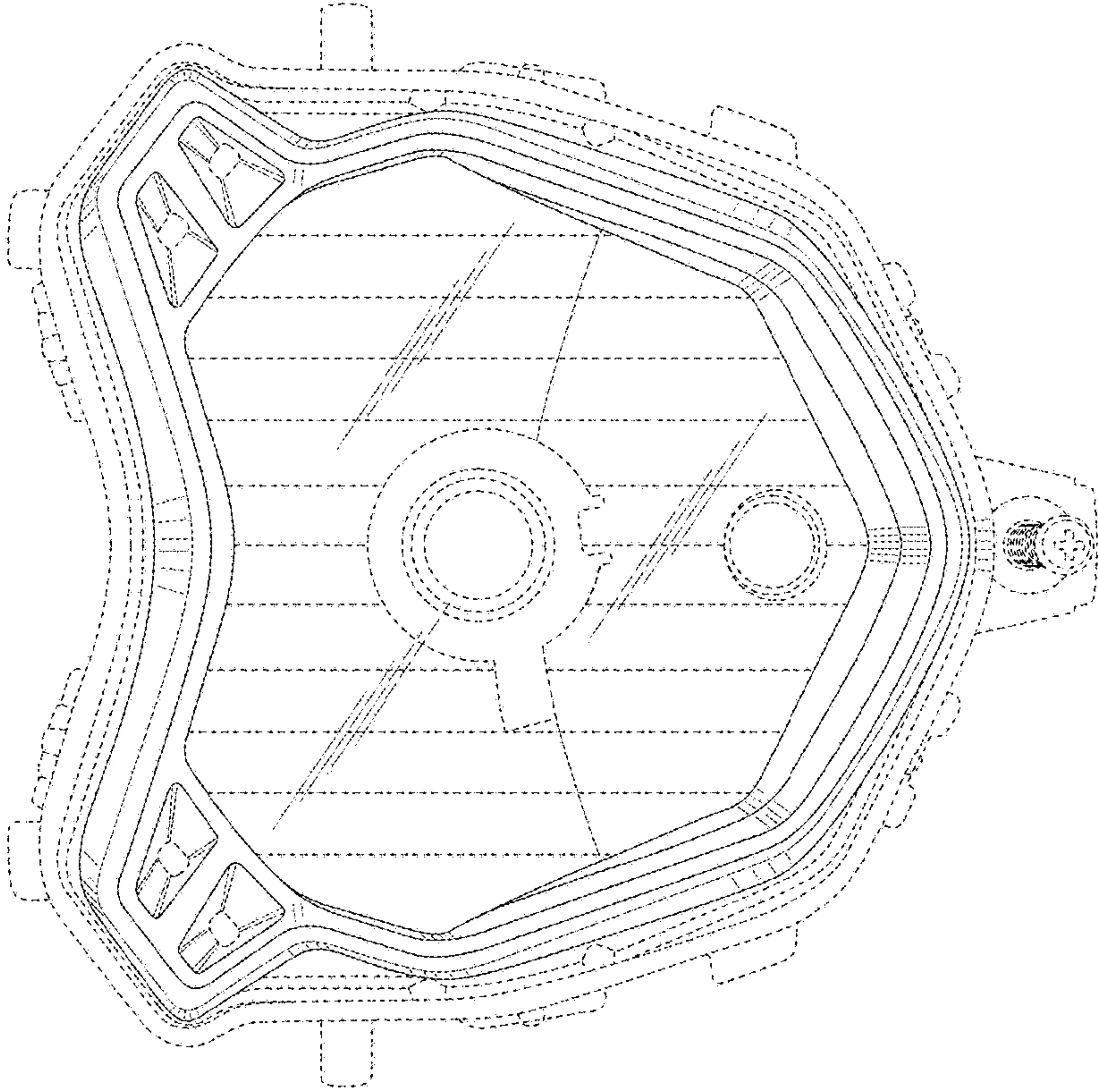


FIG.2

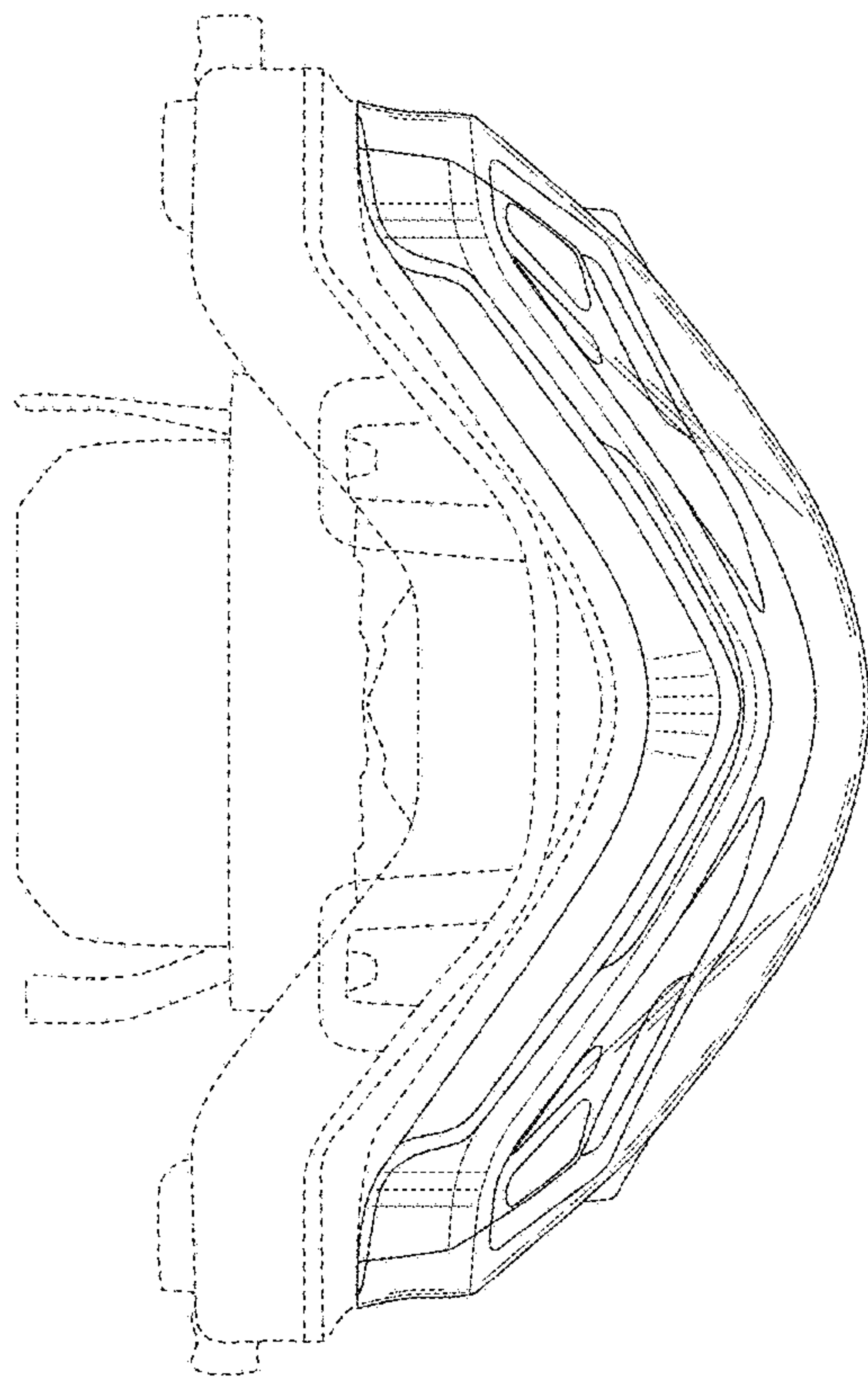


FIG.3

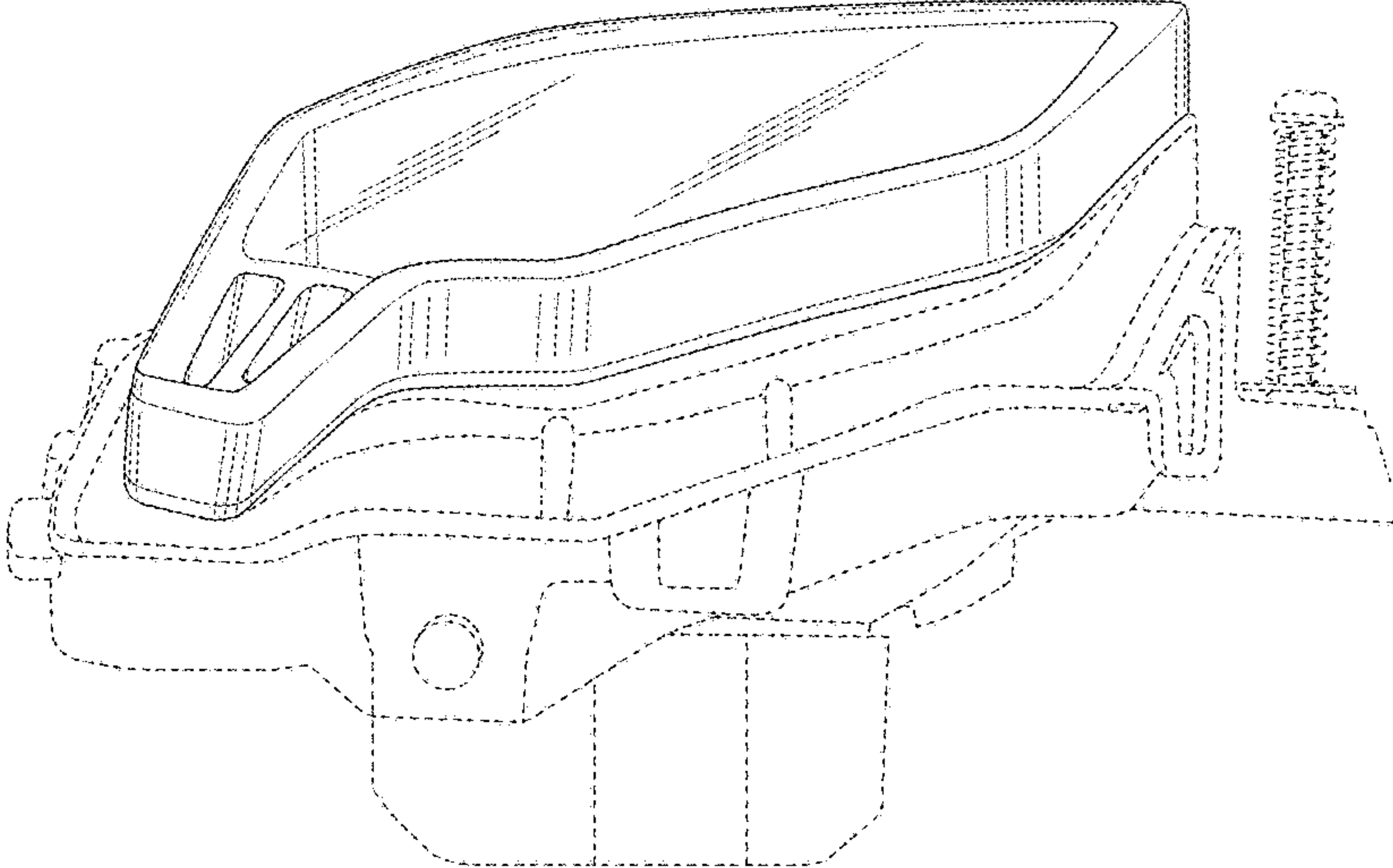


FIG.4

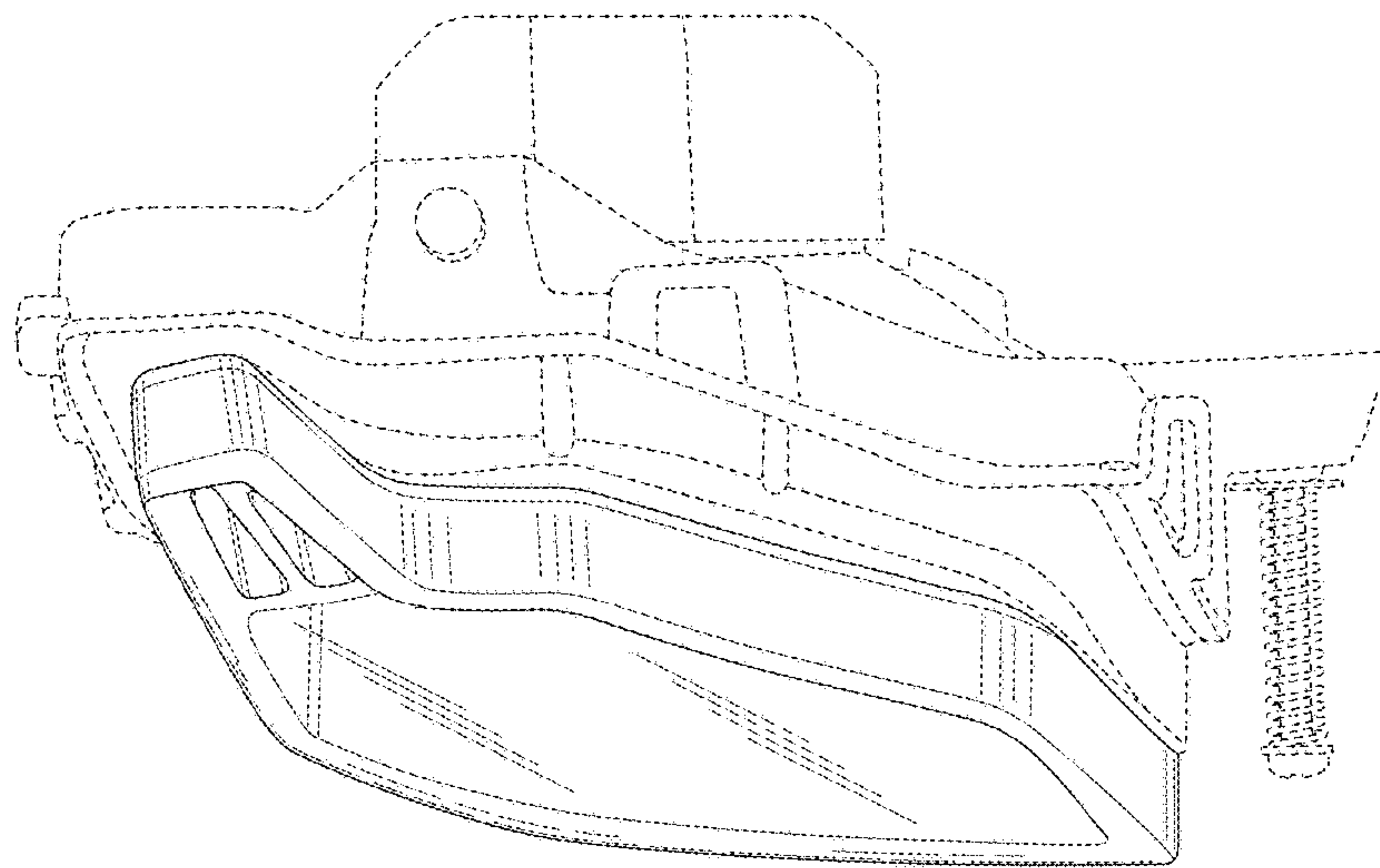


FIG.5

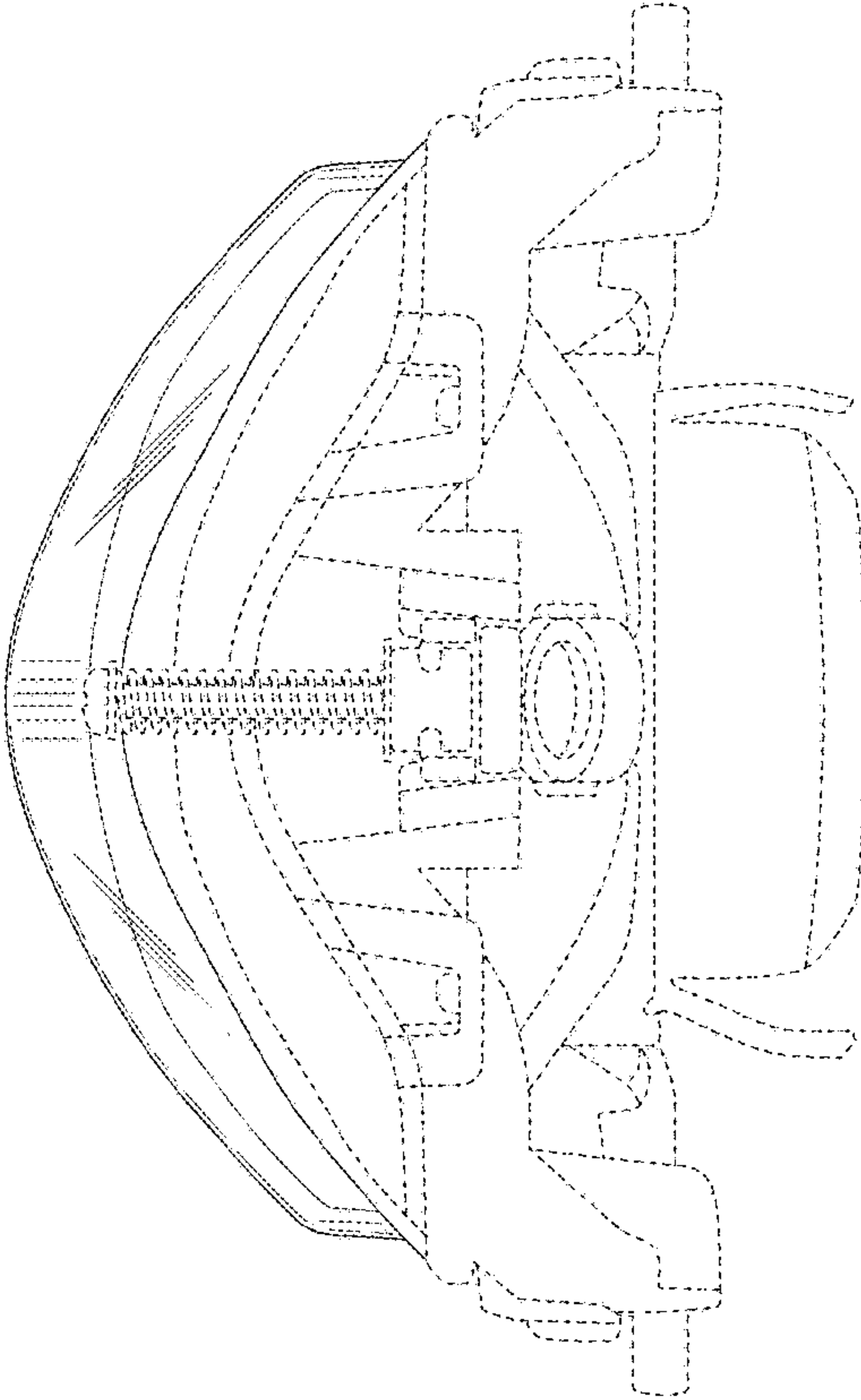


FIG.6

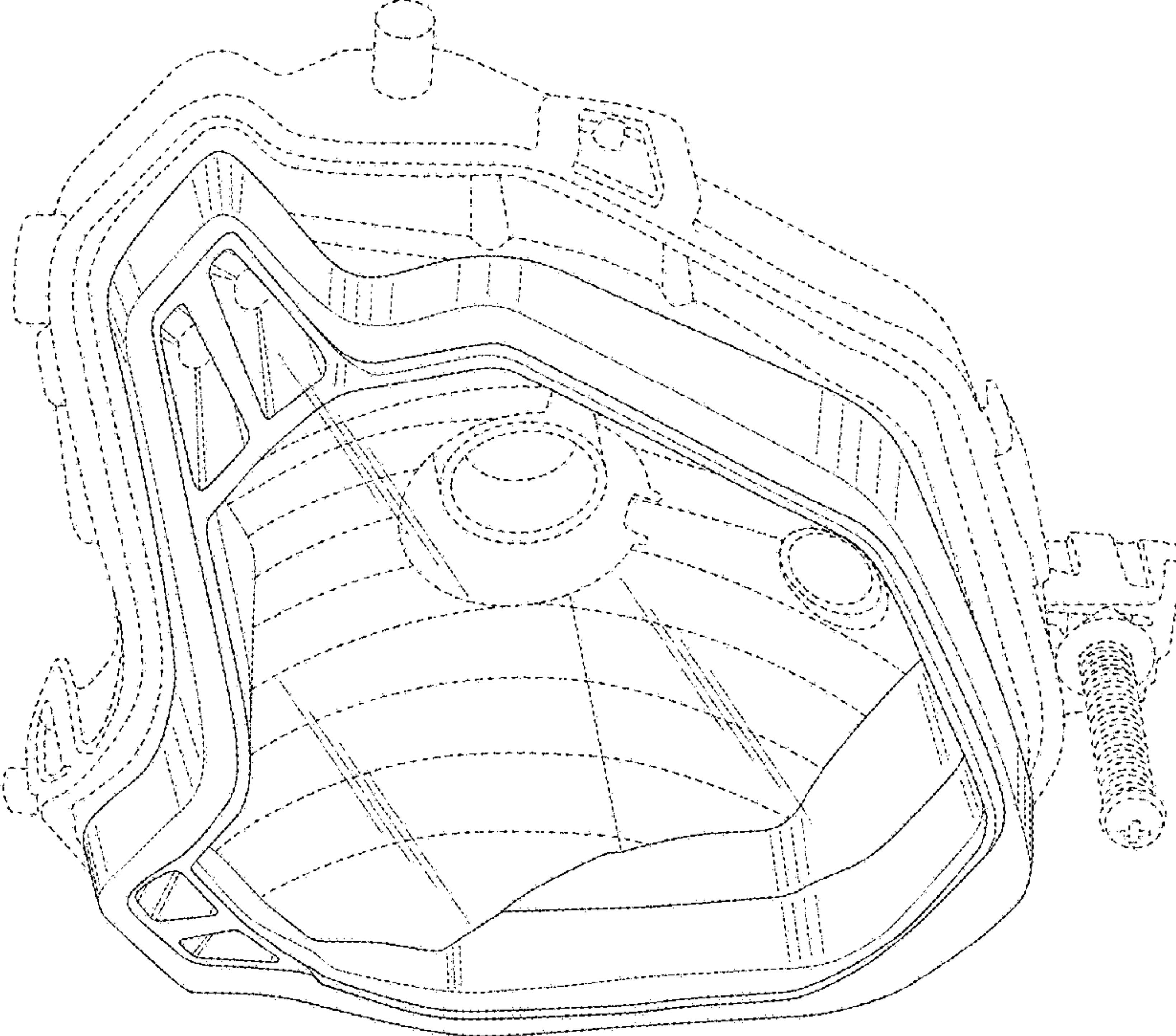


FIG.7