

US00D840061S

(12) **United States Design Patent** (10) **Patent No.:** **US D840,061 S**
Kolenda et al. (45) **Date of Patent:** **** *Feb. 5, 2019**

- (54) **LIGHTING FIXTURE**
- (71) Applicant: **Hubbell Incorporated**, Shelton, CT (US)
- (72) Inventors: **Paul Christopher Kolenda**, Batavia, IL (US); **Sofya Fradkina**, Buffalo Grove, IL (US); **John Eric Hollander**, East Dundee, IL (US); **James Charles Thomas, Jr.**, Greenville, SC (US)
- (73) Assignee: **Hubbell Incorporated**, Shelton, CT (US)
- (*) Notice: This patent is subject to a terminal disclaimer.
- (**) Term: **15 Years**
- (21) Appl. No.: **29/561,796**
- (22) Filed: **Apr. 20, 2016**
- (51) **LOC (11) Cl.** **26-05**
- (52) **U.S. Cl.**
USPC **D26/26**
- (58) **Field of Classification Search**
USPC D26/26, 24, 113, 118, 119, 120, 5, 6, 7;
D23/366, 367, 369; 362/640, 641, 642,
362/643, 644, 650, 651, 652, 653, 659
CPC F21S 8/035; F21V 23/06; F21V 23/0442;
F21W 2121/00; H01R 2103/00
See application file for complete search history.

- D404,508 S * 1/1999 Marischen D26/26
- D412,040 S * 7/1999 Hudak D26/85
- D491,289 S * 6/2004 Krieger D26/26
- D528,672 S * 9/2006 Nagai D26/1
- D534,301 S * 12/2006 Roland D26/118
- D572,670 S * 7/2008 Ono D13/180
- D578,226 S * 10/2008 West D26/1
- D601,281 S * 9/2009 Howard D26/26
- D658,603 S * 5/2012 Egawa D13/180

* cited by examiner

Primary Examiner — Angela J Lee

(74) *Attorney, Agent, or Firm* — Dority & Manning, P.A.

(57) **CLAIM**

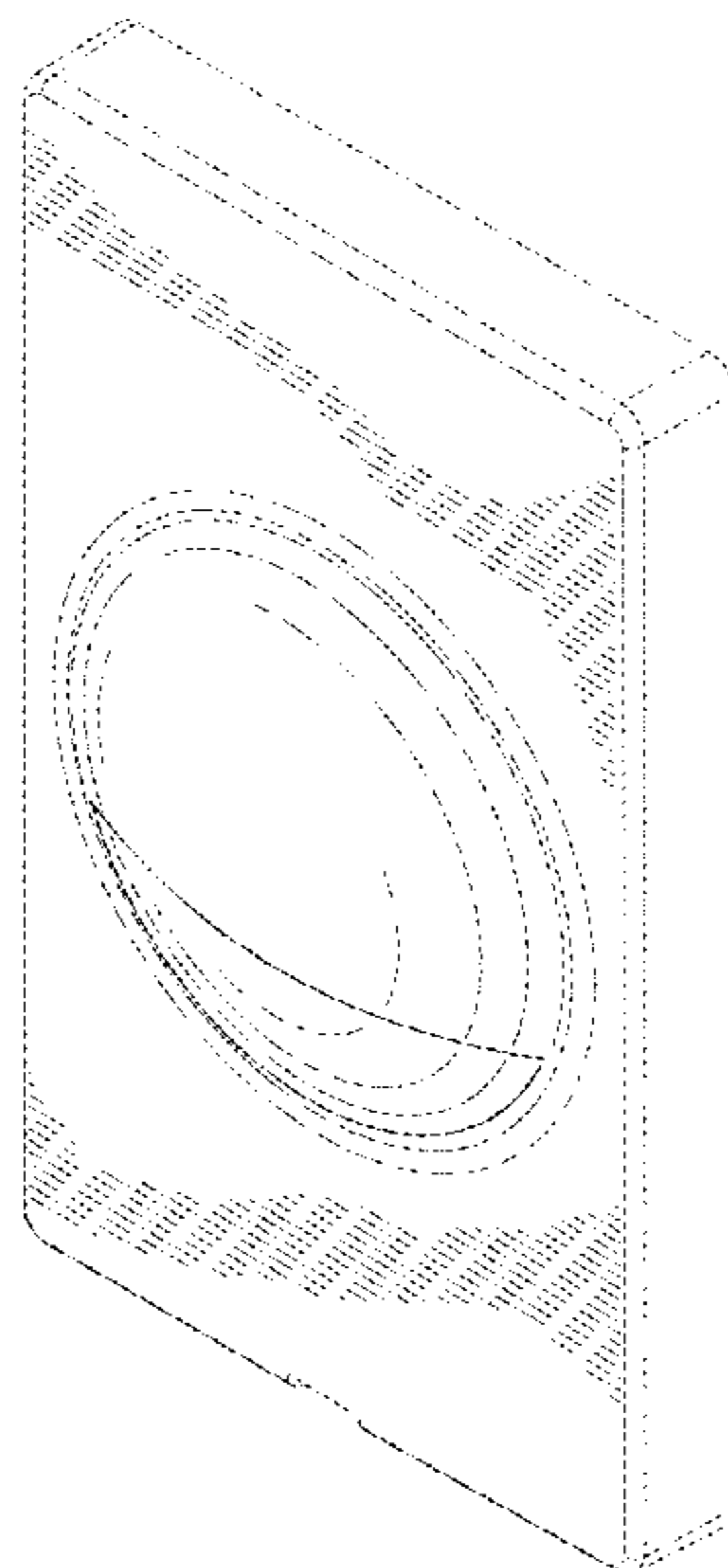
The ornamental design for a lighting fixture, as shown and described.

DESCRIPTION

FIG. 1 is a perspective view of a lighting fixture according to an example embodiment of the design;
 FIG. 2 is a front view of a lighting fixture according to an example embodiment of the design;
 FIG. 3 is a back view of a lighting fixture according to an example embodiment of the design;
 FIG. 4 is a side view of a lighting fixture according to an example embodiment of the design;
 FIG. 5 is a side view of lighting fixture according to an example embodiment of the design;
 FIG. 6 is a top view of a lighting fixture according to an example embodiment of the design; and,
 FIG. 7 is a bottom view of a lighting fixture according to an example embodiment of the design.
 The broken lines with the various embodiments of the claimed design and the spaces therein are included for illustrating environmental aspects only and form no part of the claimed design.

1 Claim, 7 Drawing Sheets

- (56) **References Cited**
U.S. PATENT DOCUMENTS
D118,359 S * 1/1940 Arenberg D26/120
D120,772 S * 5/1940 Arenberg D26/120
D120,773 S * 5/1940 Arenberg D26/120
D376,214 S * 12/1996 Pinchuk D26/26



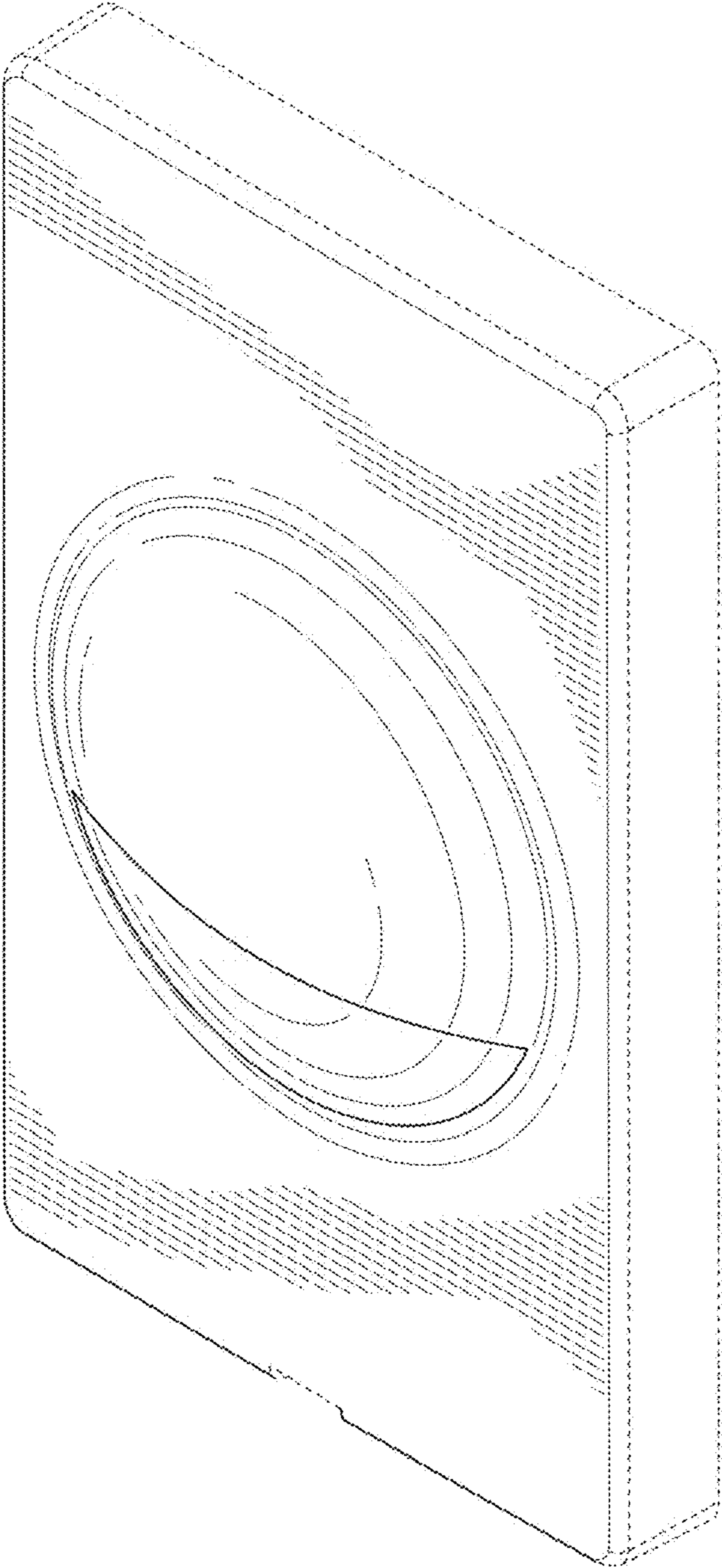


FIG. 1

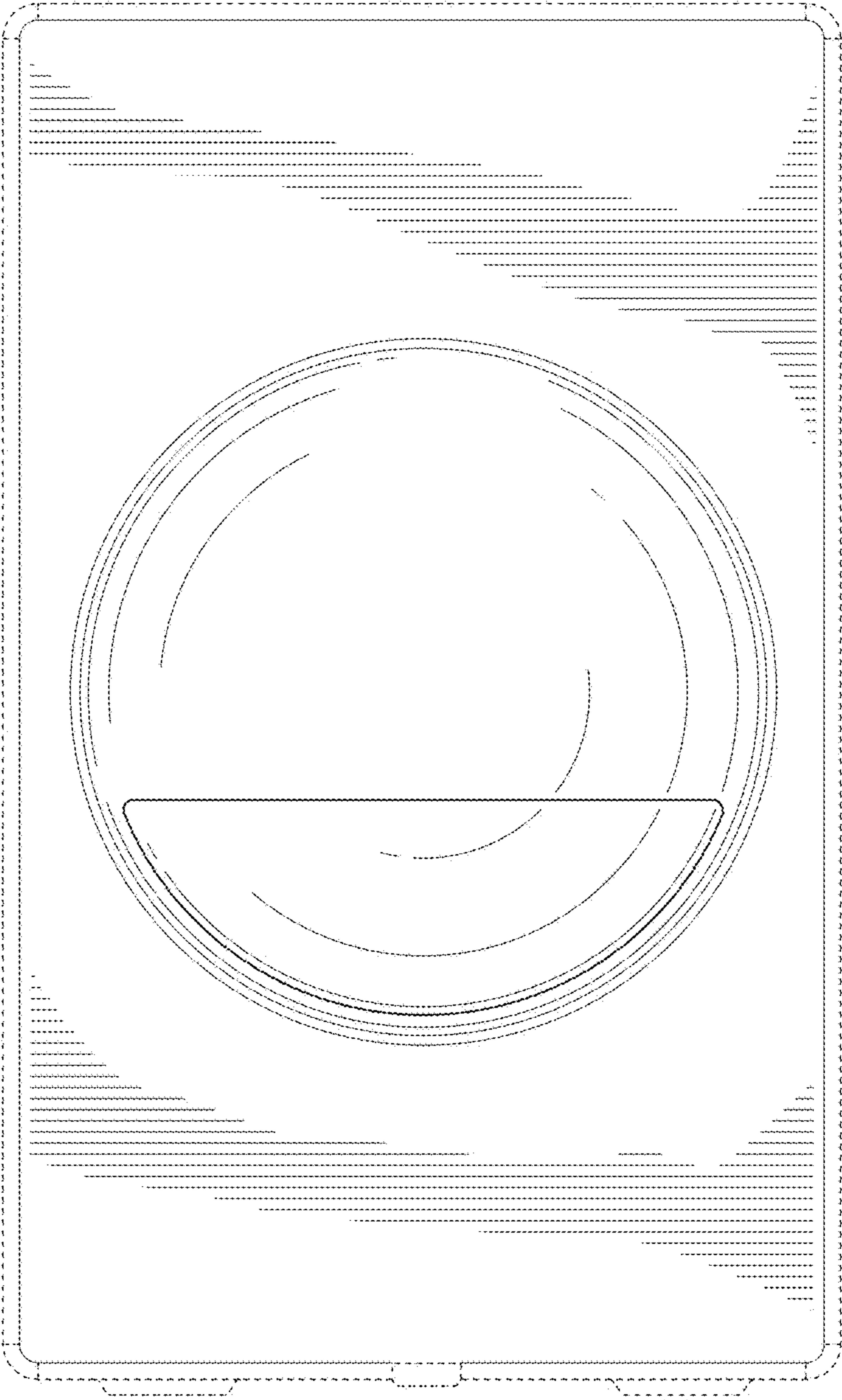


FIG. 2

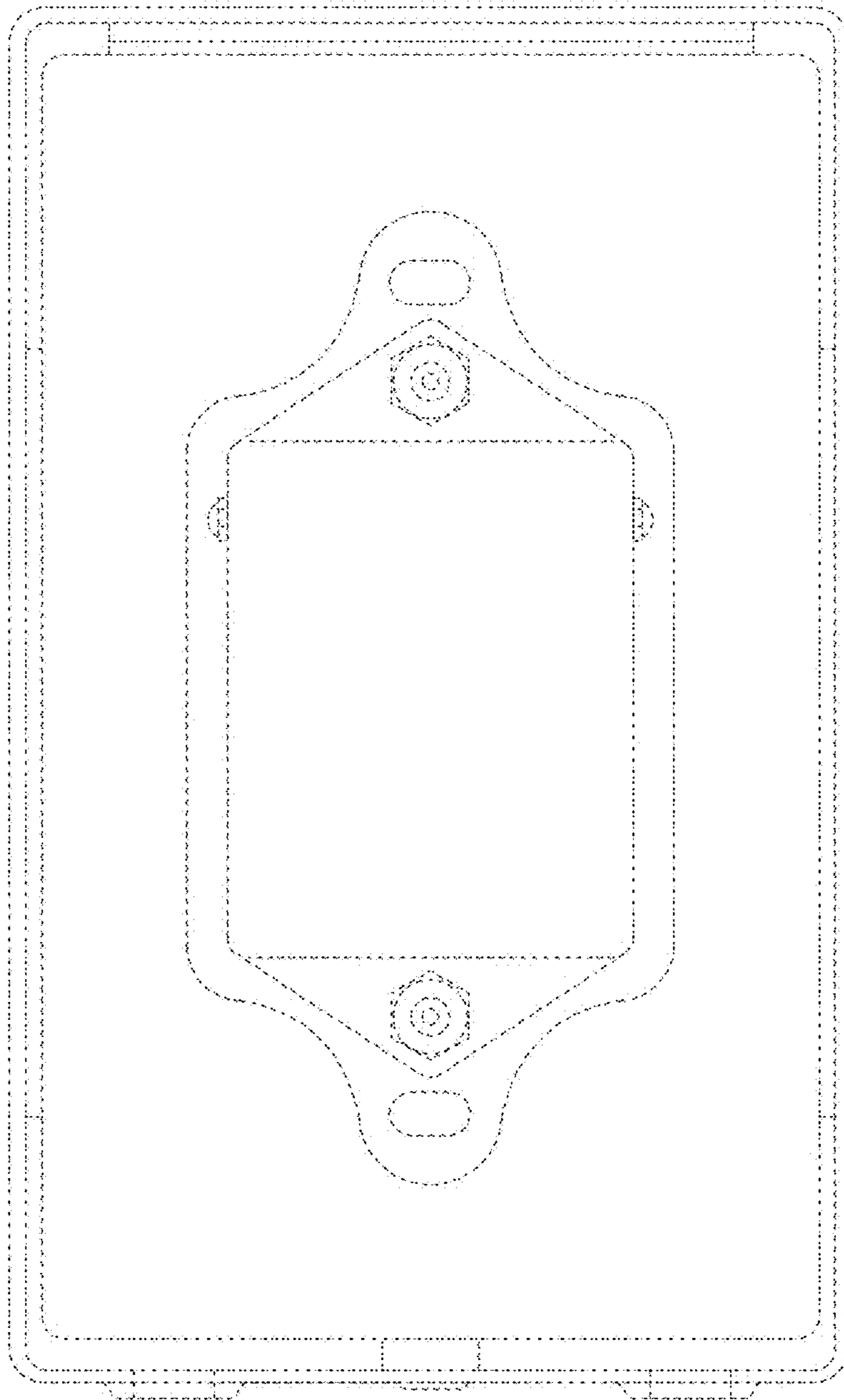


FIG. 3

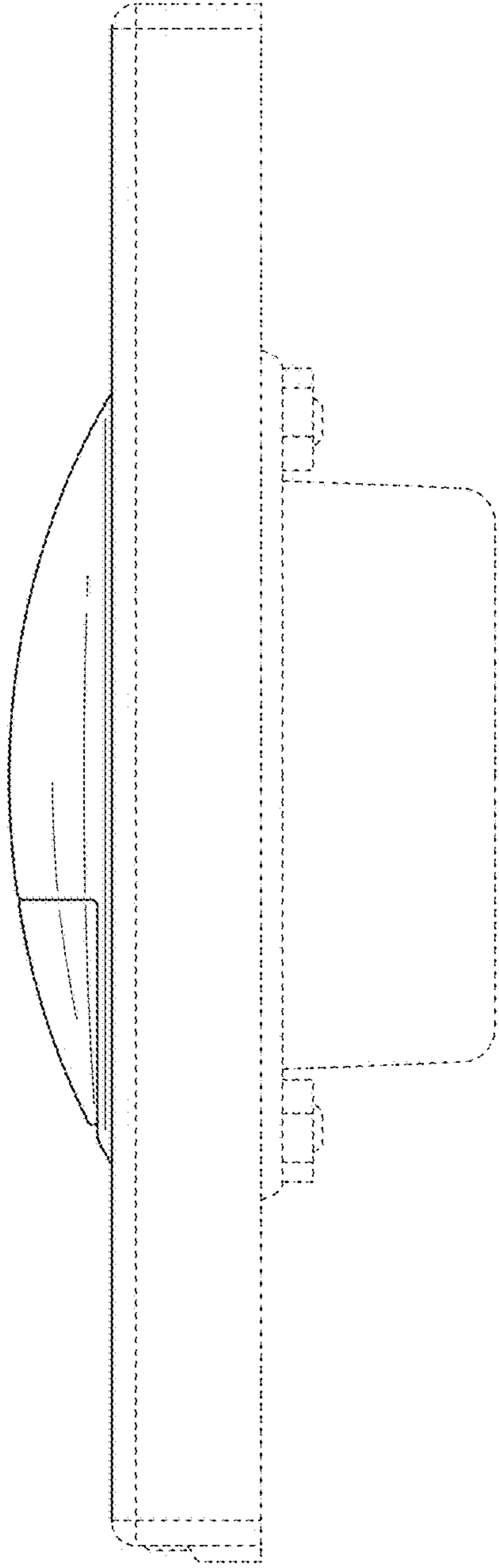


FIG. 4

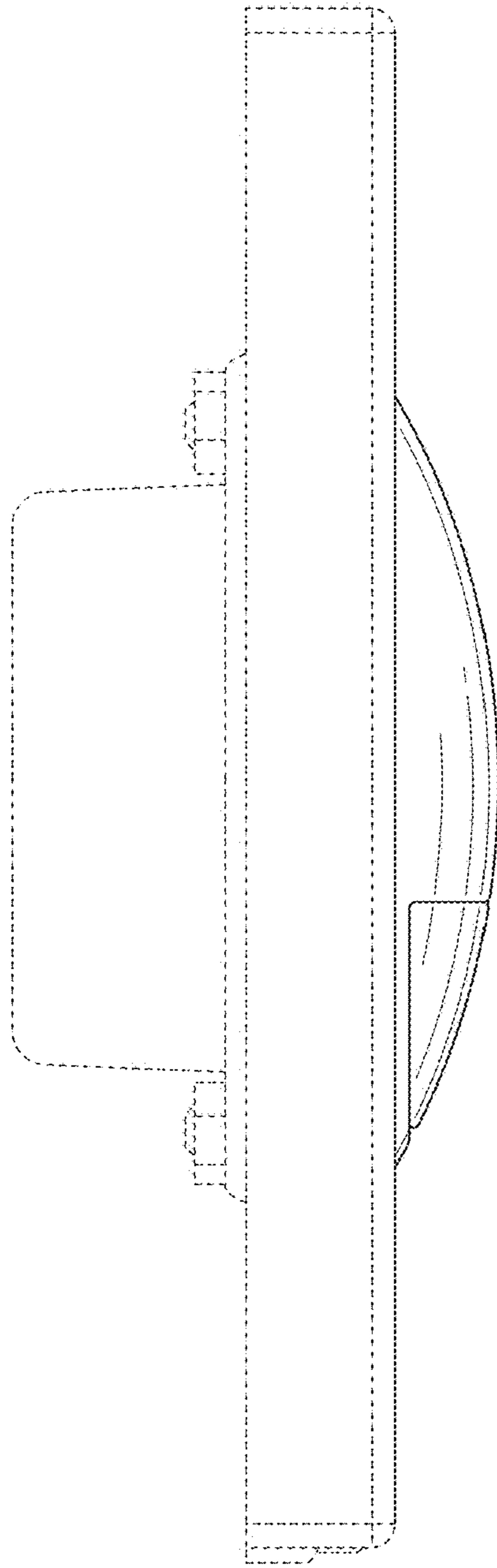


FIG. 5

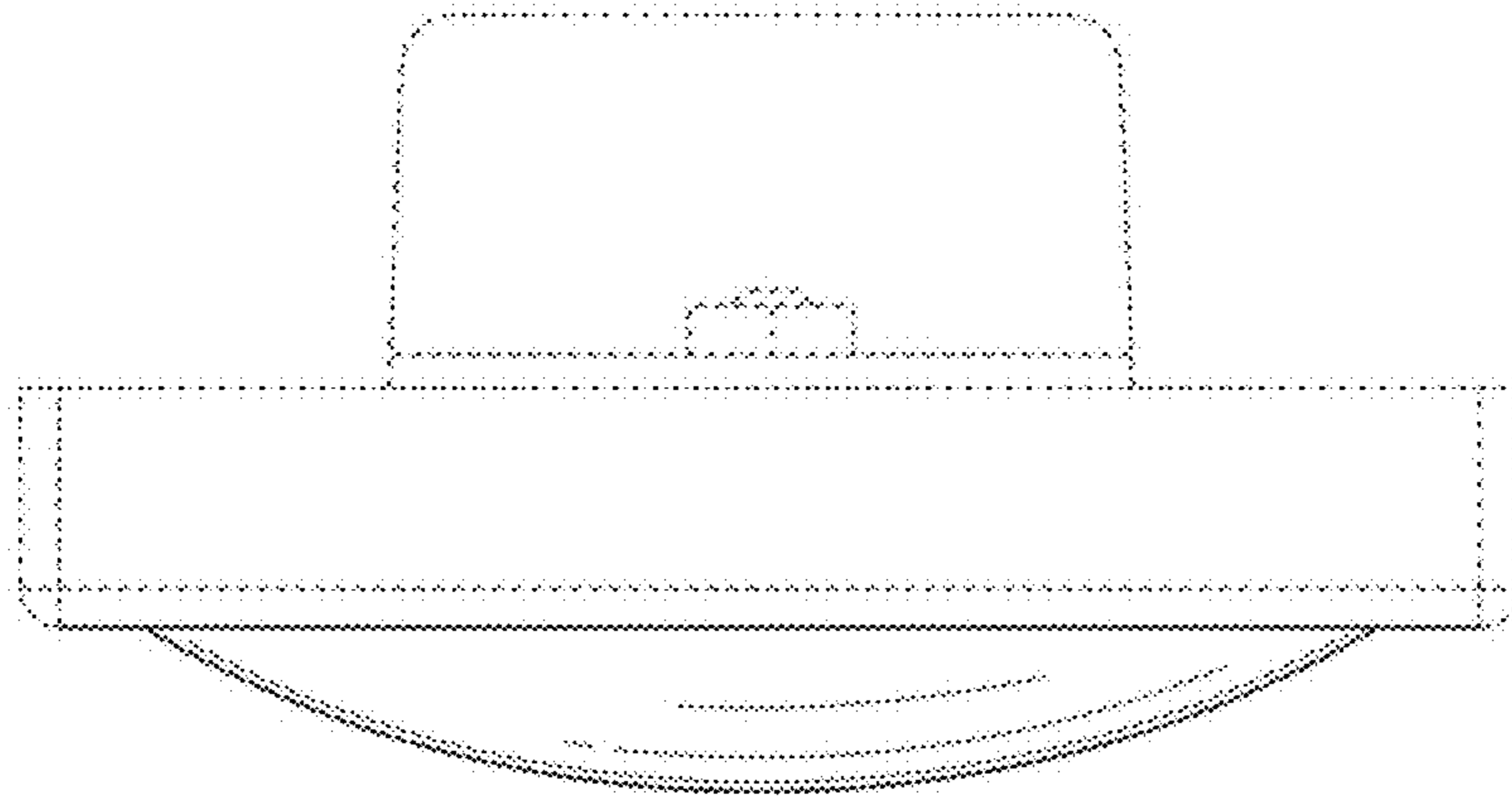


FIG. 6

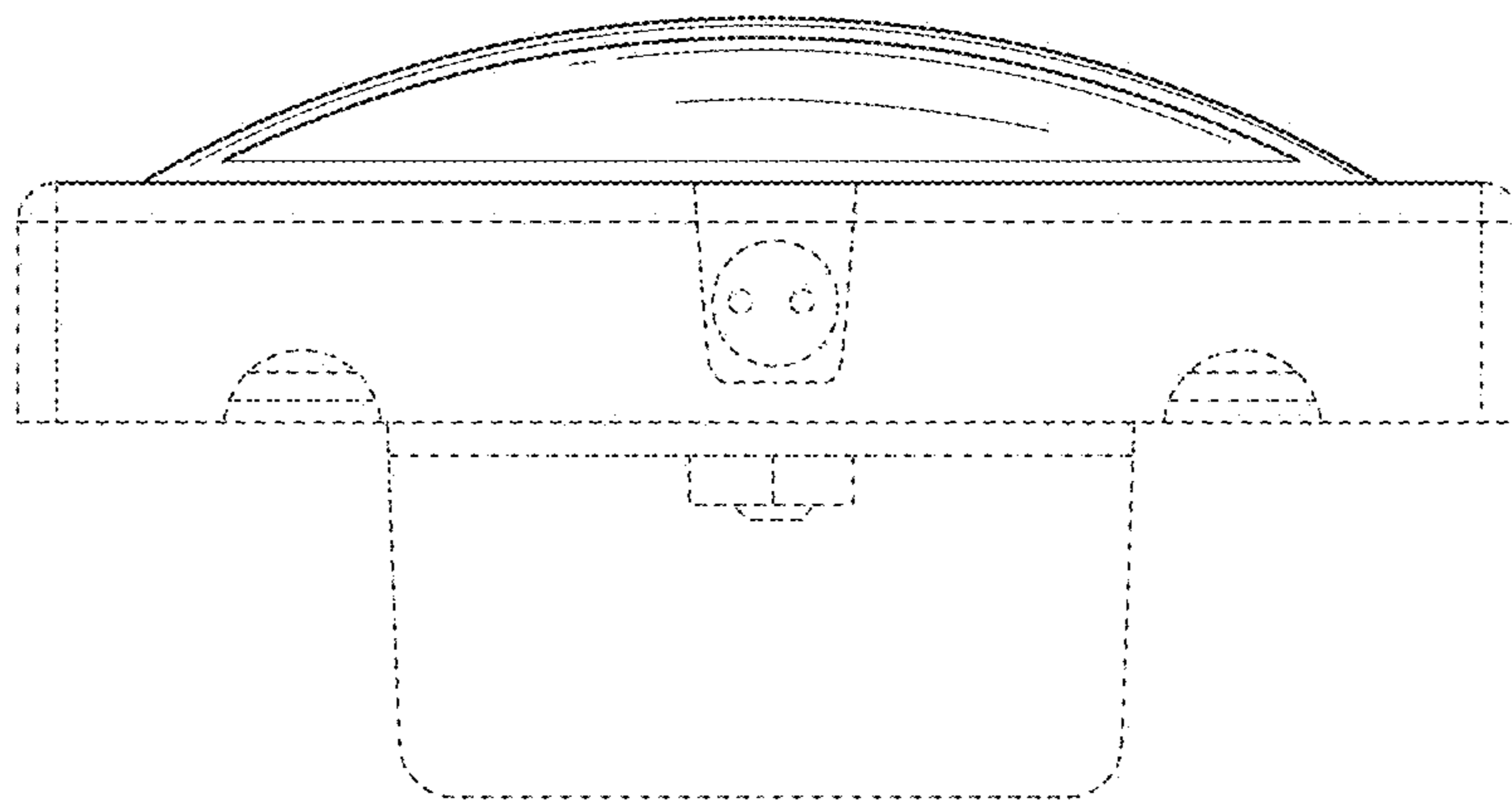


FIG. 7