



US00D840060S

(12) **United States Design Patent**
Nilsson

(10) **Patent No.:** **US D840,060 S**

(45) **Date of Patent:** **** Feb. 5, 2019**

(54) **RING-SHAPED HANGING OIL LAMP**

(71) Applicant: **Carl-Henric Nilsson**, Lund (SE)

(72) Inventor: **Carl-Henric Nilsson**, Lund (SE)

(**) Term: **15 Years**

(21) Appl. No.: **29/579,713**

(22) Filed: **Oct. 3, 2016**

(51) **LOC (11) Cl.** **26-01**

(52) **U.S. Cl.**
USPC **D26/13**

(58) **Field of Classification Search**
USPC D26/6-23, 35
CPC F21V 35/00; F21V 37/00; F21V 5/06
See application file for complete search history.

(56) **References Cited**

U.S. PATENT DOCUMENTS

D182,733 S *	5/1958	LeVay	D26/10
D256,844 S *	9/1980	Conn	D1/129
D299,172 S *	12/1988	Perkins	D26/9
D355,266 S *	2/1995	Caplette	D26/11
D359,369 S *	6/1995	Caplette	D26/11
D442,350 S *	5/2001	Atwell	D1/120
D451,797 S *	12/2001	Davis	D9/643
D625,566 S *	10/2010	Alford	D26/10
D646,000 S *	9/2011	Blackman	D26/23
D646,001 S *	9/2011	Blackman	D26/23

* cited by examiner

Primary Examiner — Ian Simmons

Assistant Examiner — Keith Frank

(74) *Attorney, Agent, or Firm* — Larson & Larson, P.A.;
Justin P. Miller; Frank Liebenow

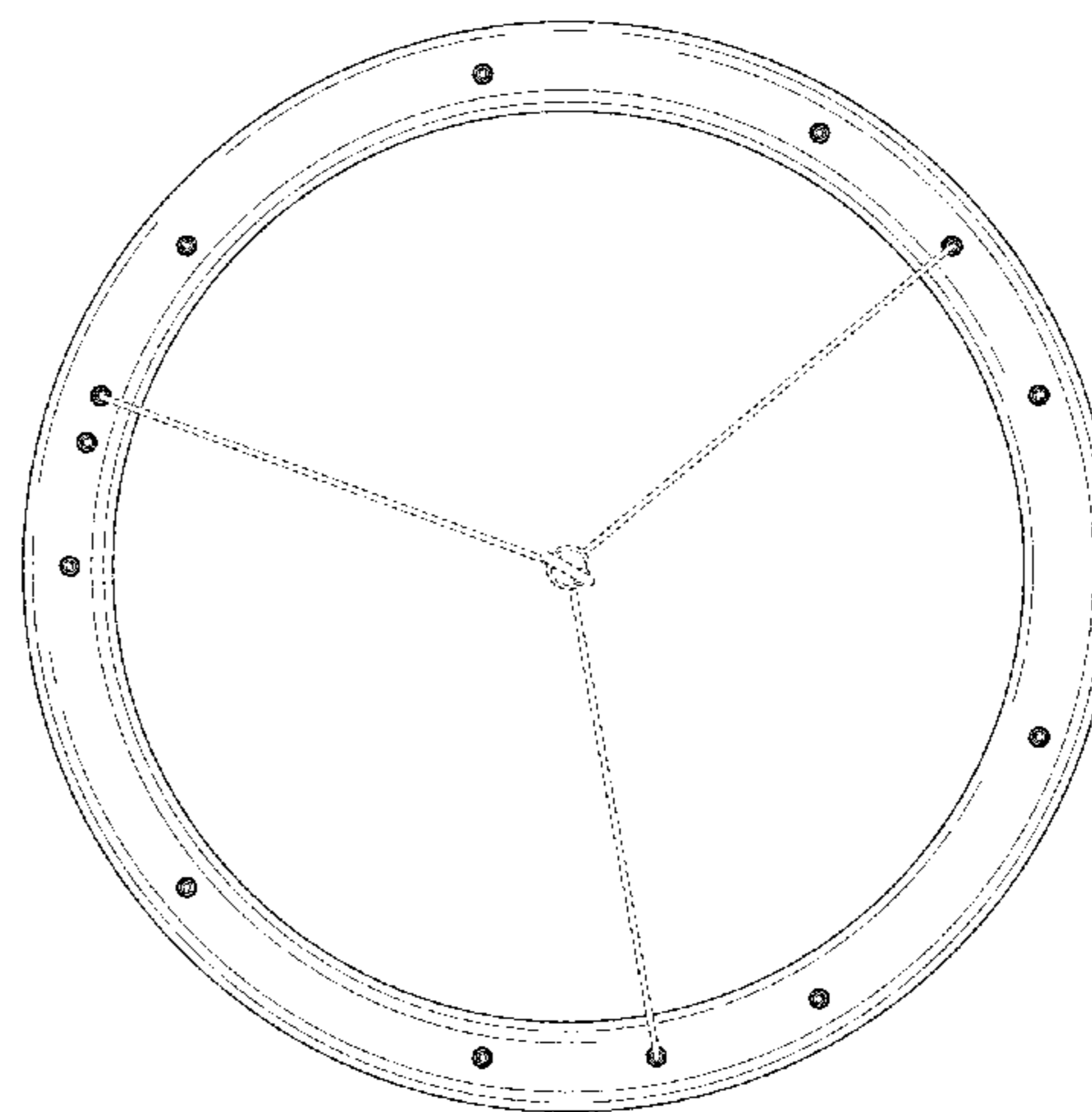
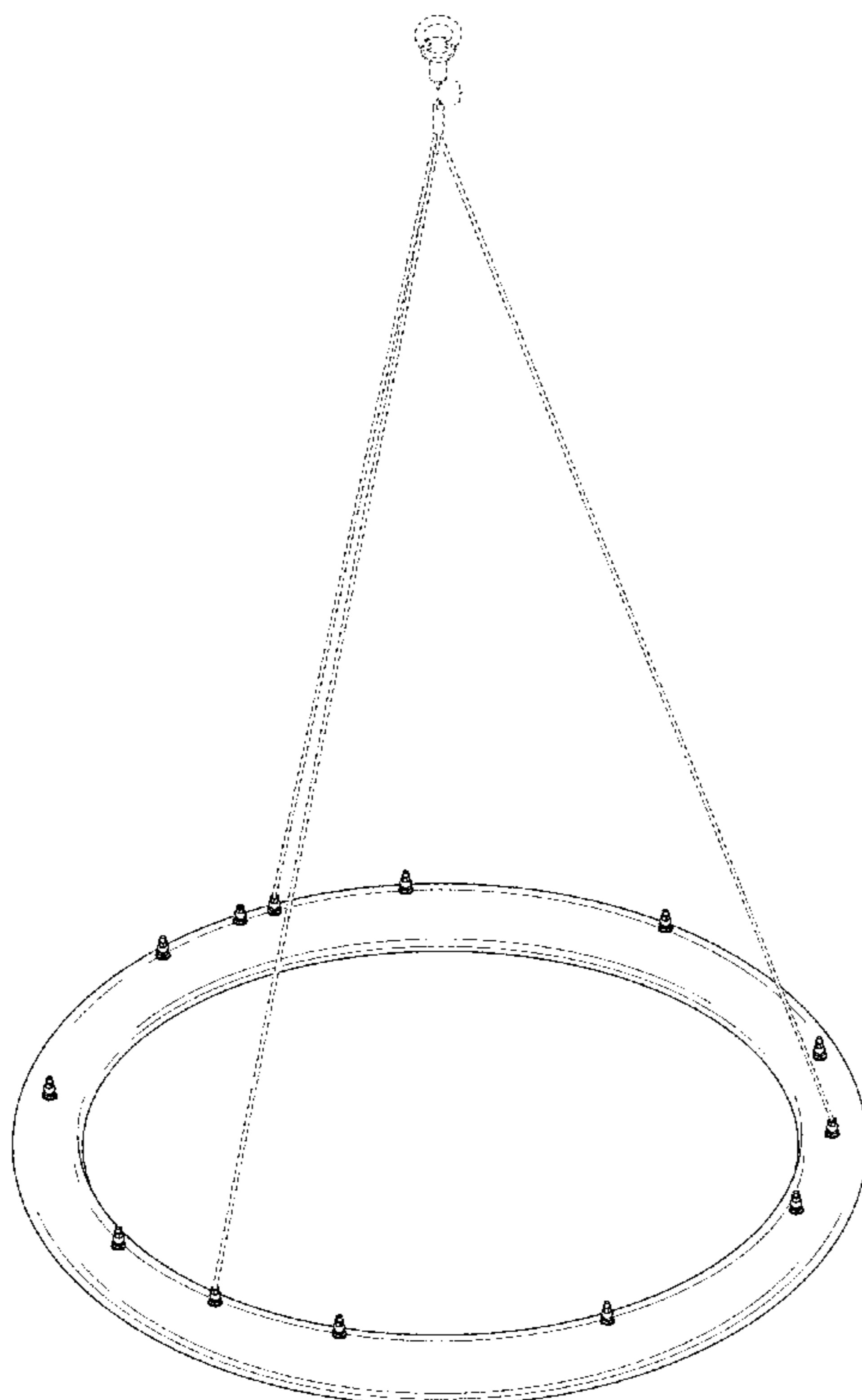
(57) **CLAIM**

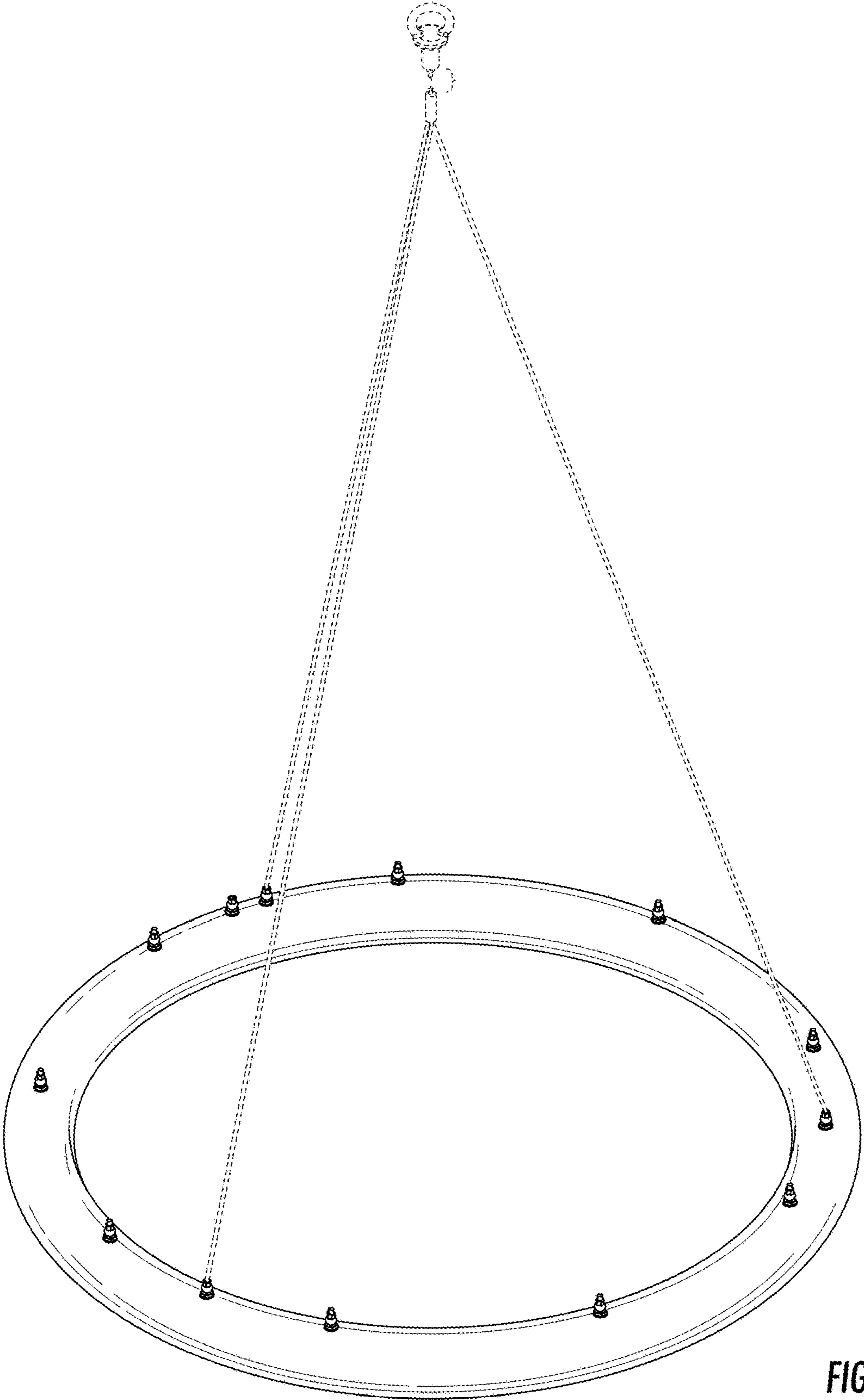
I claim the ornamental design for a ring-shaped hanging oil lamp, as shown and described.

DESCRIPTION

FIG. 1 is a perspective view of the third embodiment of a ring-shaped hanging oil lamp;
 FIG. 2 is a front elevation view of the third embodiment;
 FIG. 3 is a back elevation view of the third embodiment;
 FIG. 4 is a left-side elevation view of the third embodiment;
 FIG. 5 is a right-side elevation view of the third embodiment;
 FIG. 6 is a top plan view of the third embodiment;
 FIG. 7 is a bottom plan view of the third embodiment;
 FIG. 8 is a perspective view of the fourth embodiment of a ring-shaped hanging oil lamp;
 FIG. 9 is a front elevation view of the fourth embodiment;
 FIG. 10 is a back elevation view of the fourth embodiment;
 FIG. 11 is a left-side elevation view of the fourth embodiment;
 FIG. 12 is a right-side elevation view of the fourth embodiment;
 FIG. 13 is a top plan view of the fourth embodiment; and,
 FIG. 14 is a bottom plan view of the fourth embodiment.
 The portions of ring-shaped hanging oil lamp shown in broken lines form no part of the claimed design.

1 Claim, 14 Drawing Sheets





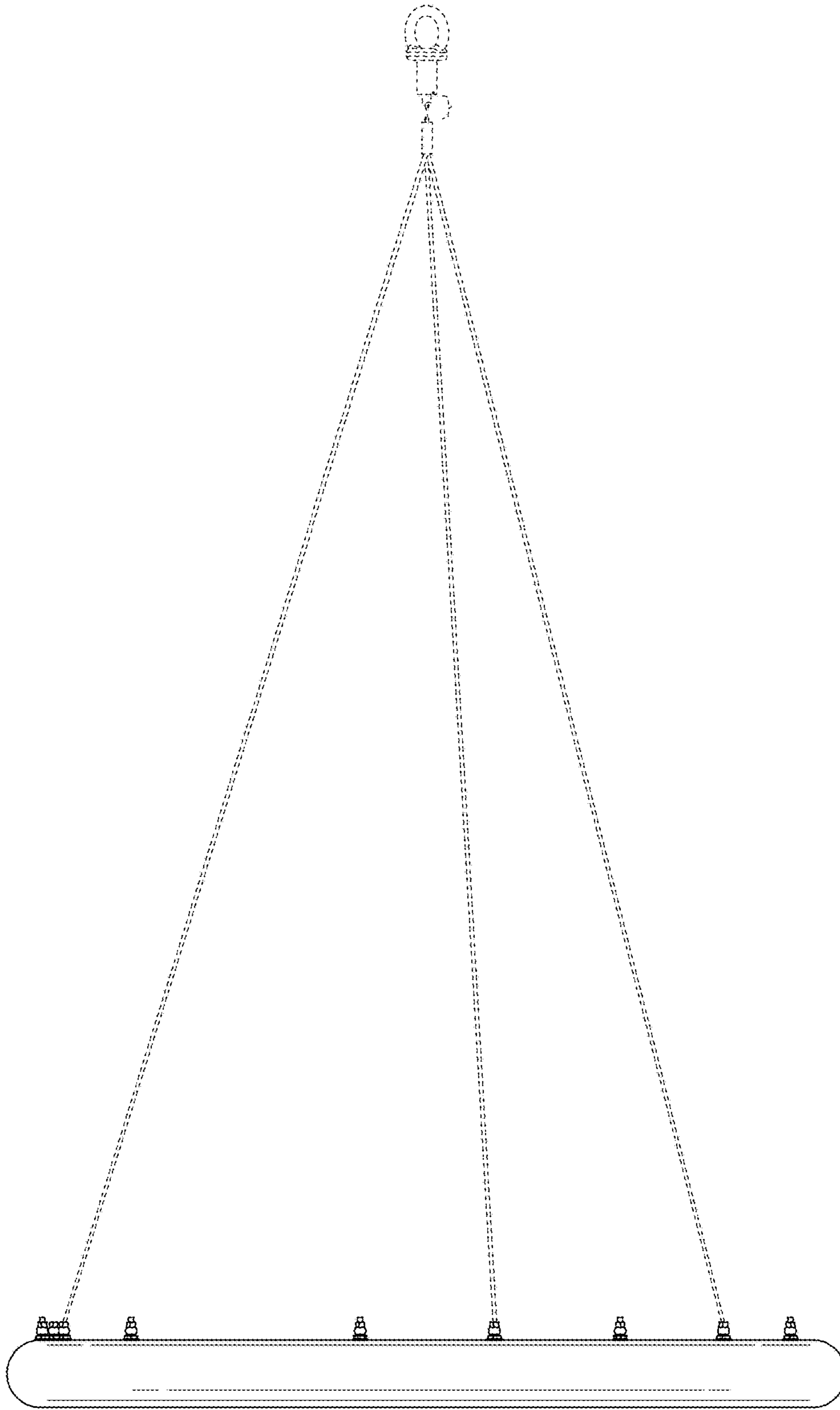


FIG. 2

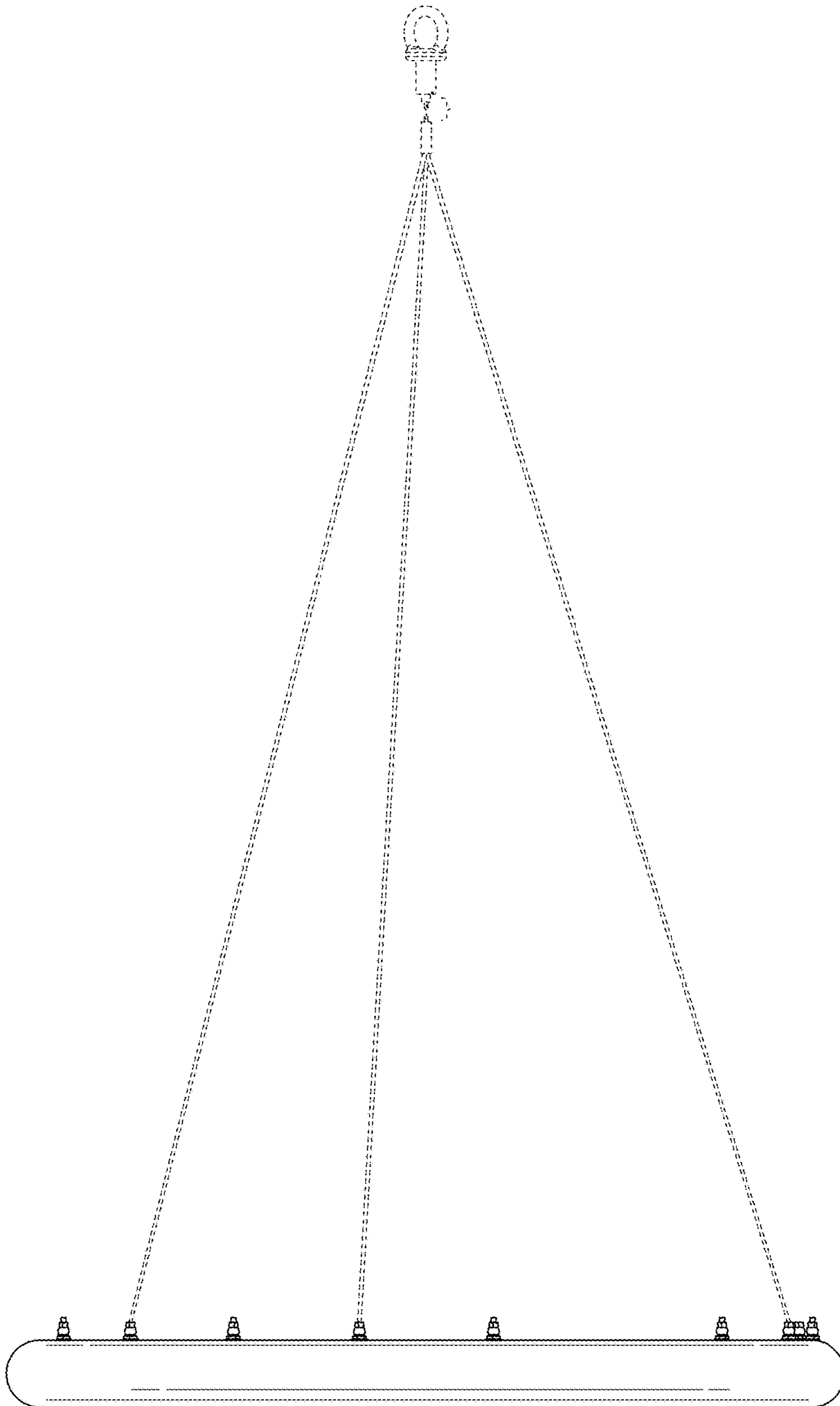


FIG. 3

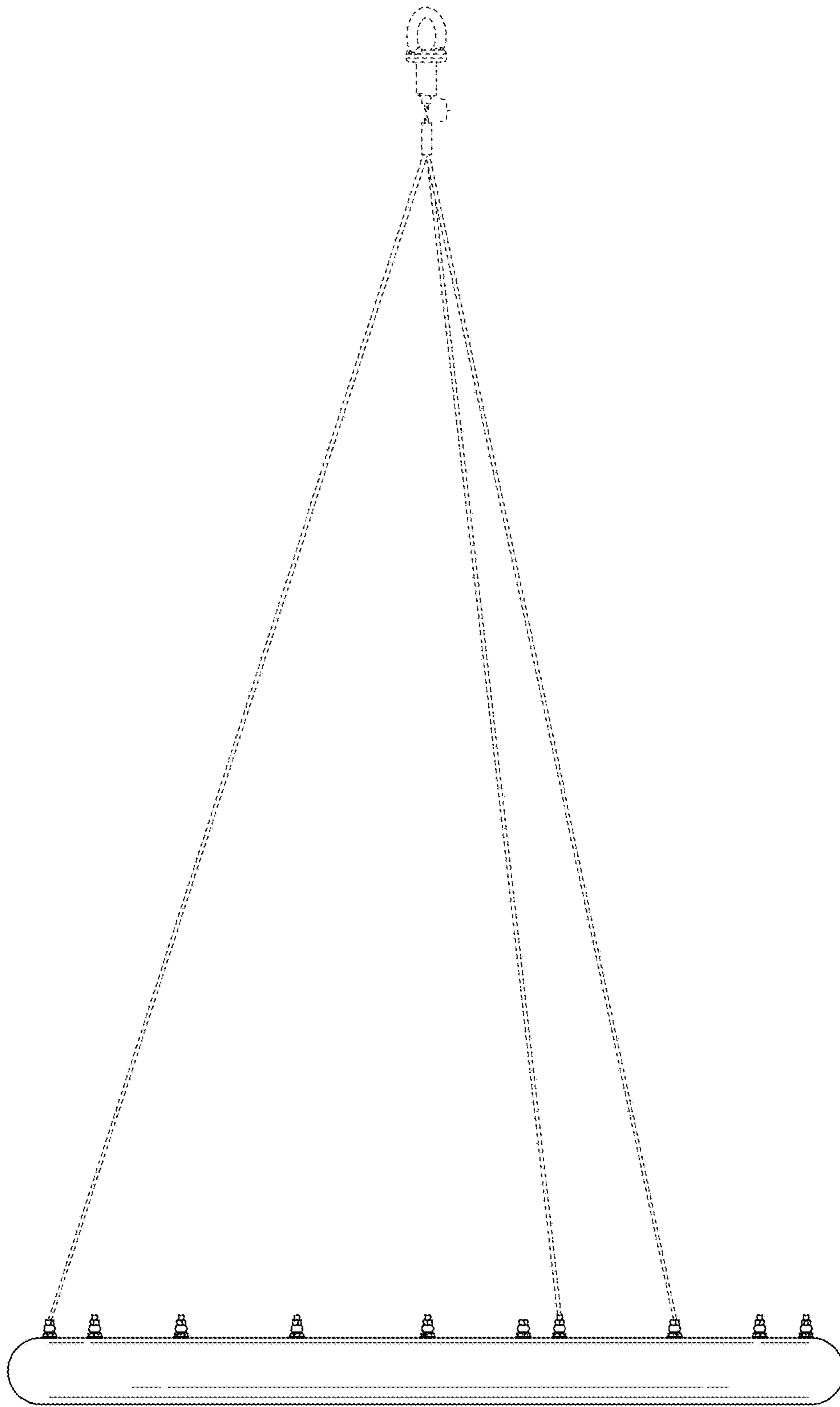


FIG. 4

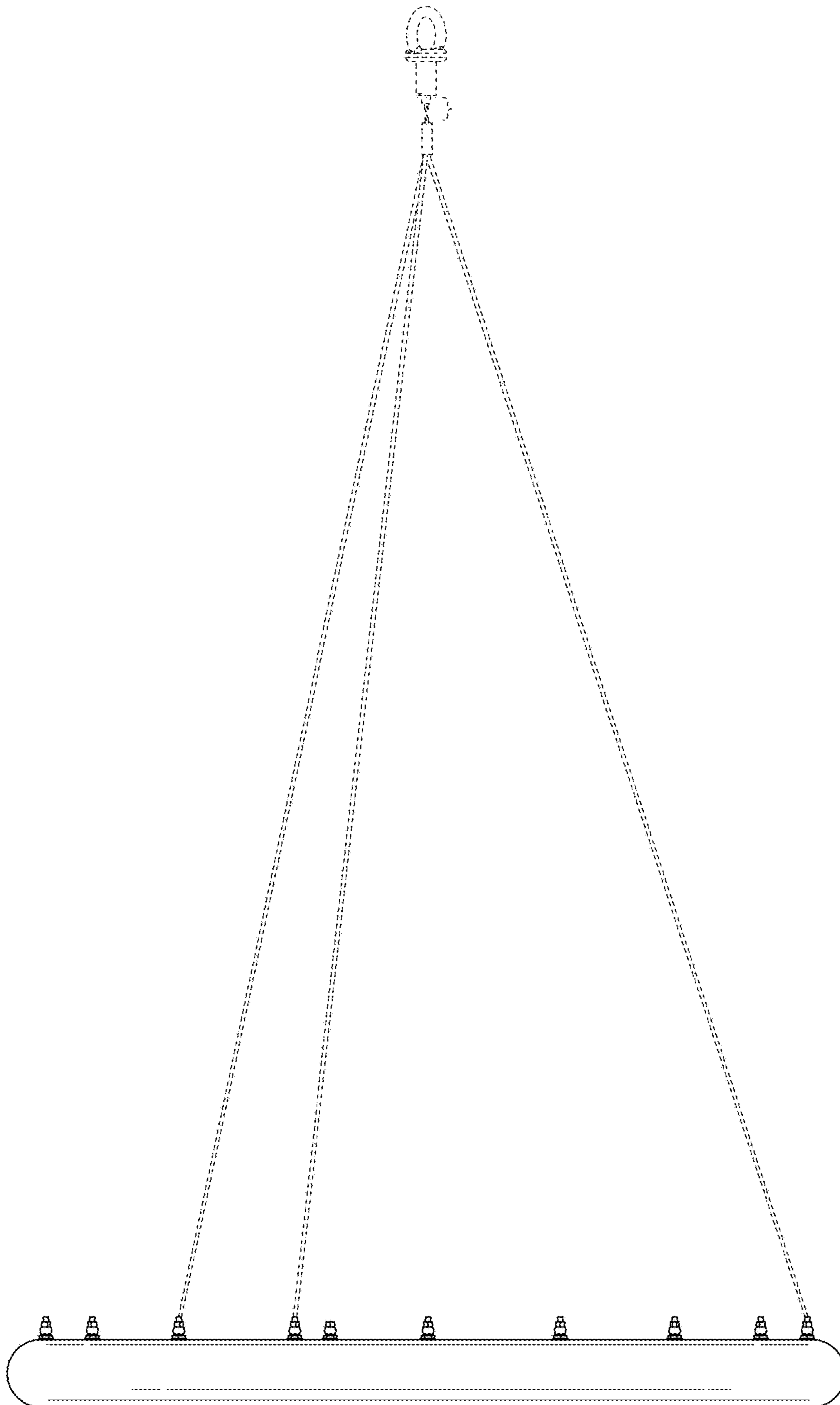


FIG. 5

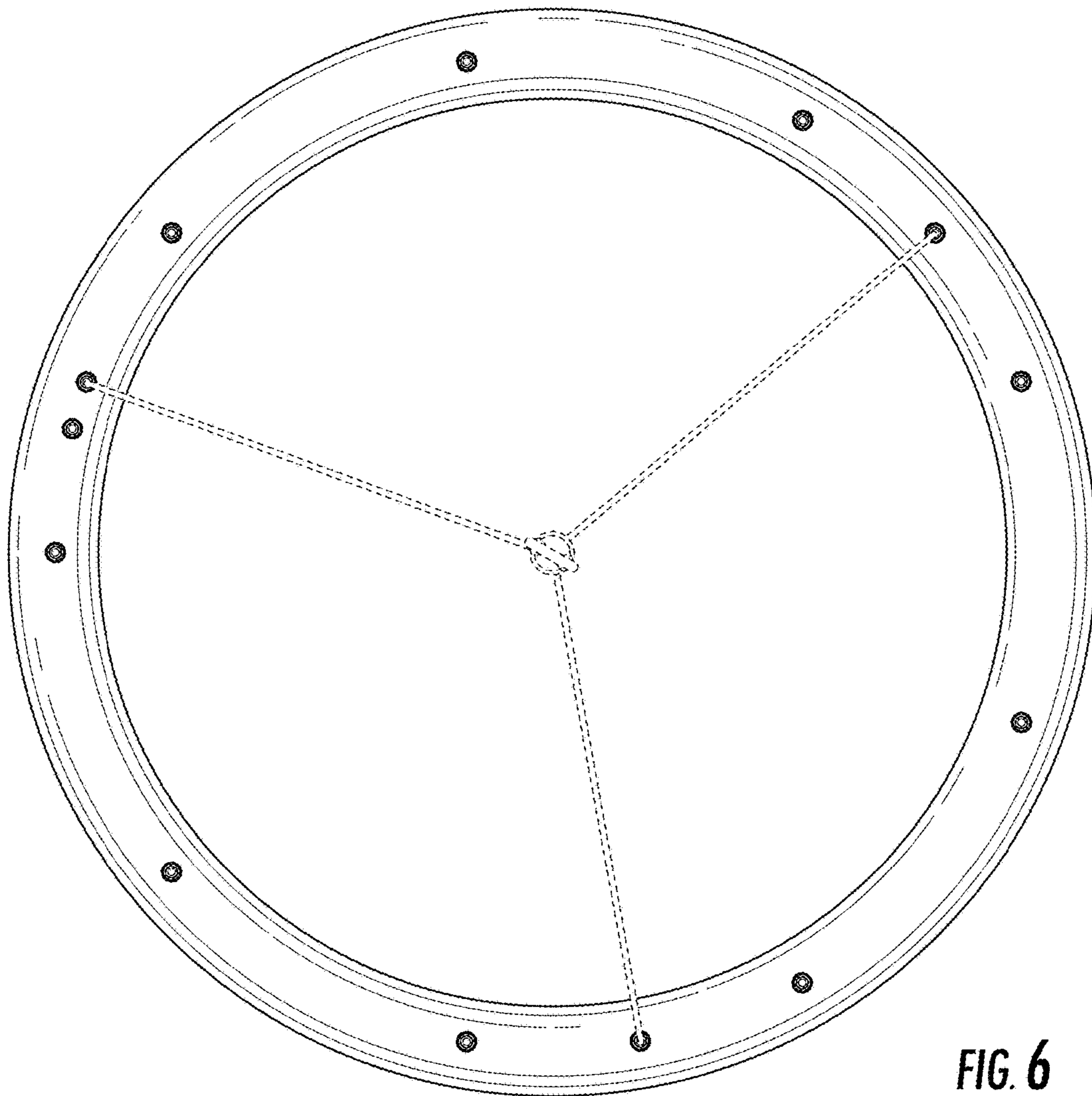


FIG. 6

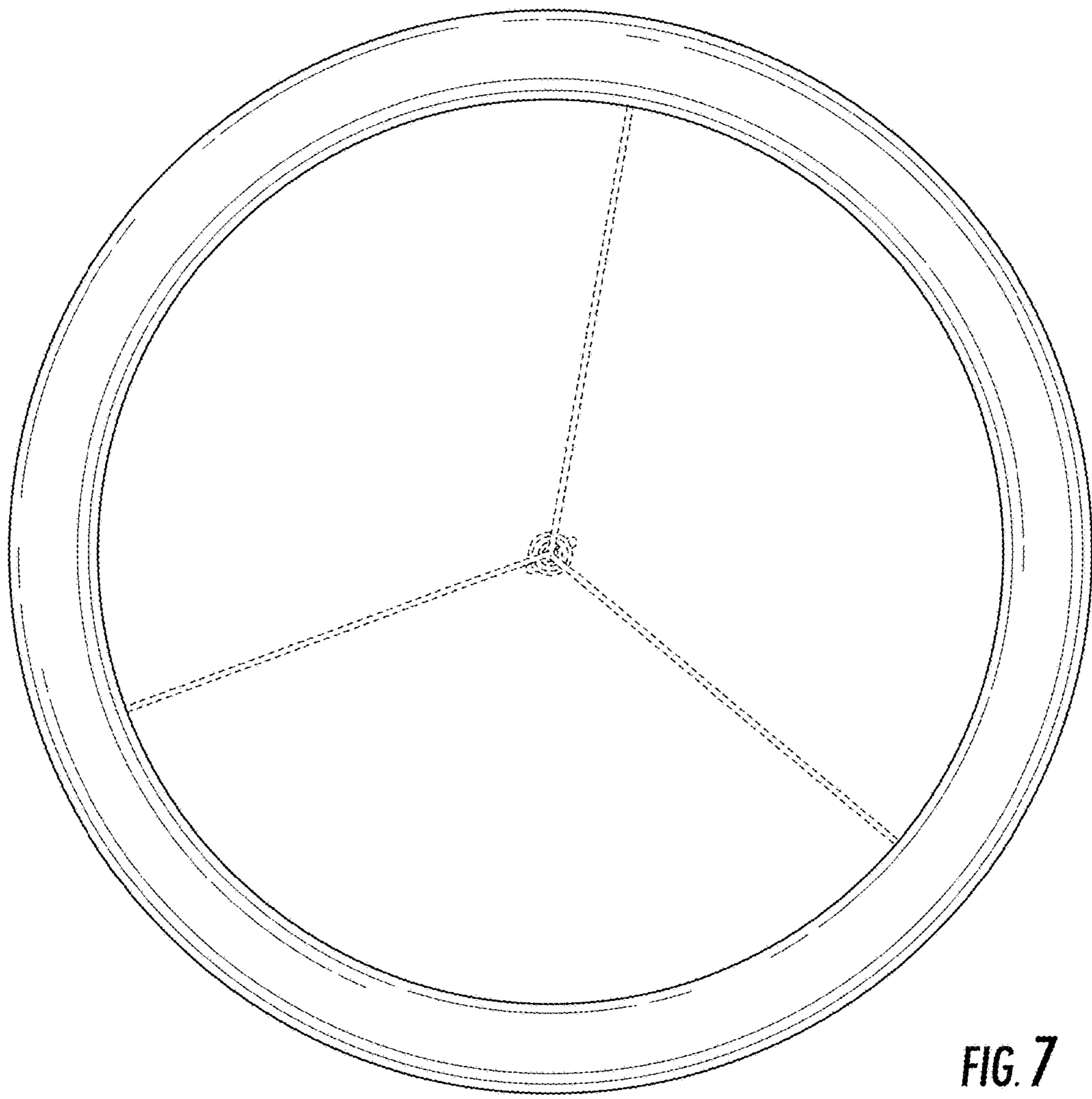


FIG. 7

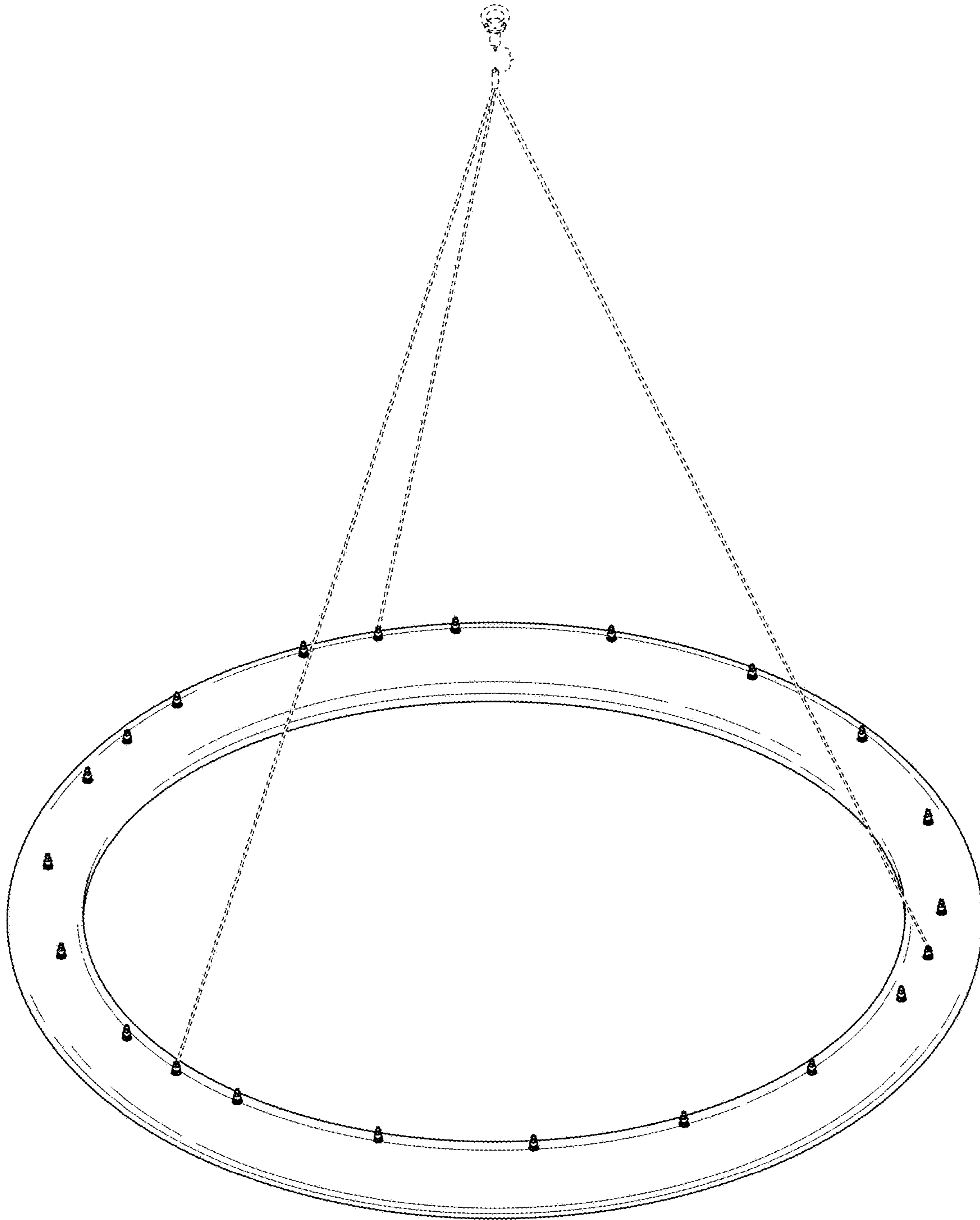


FIG. 8

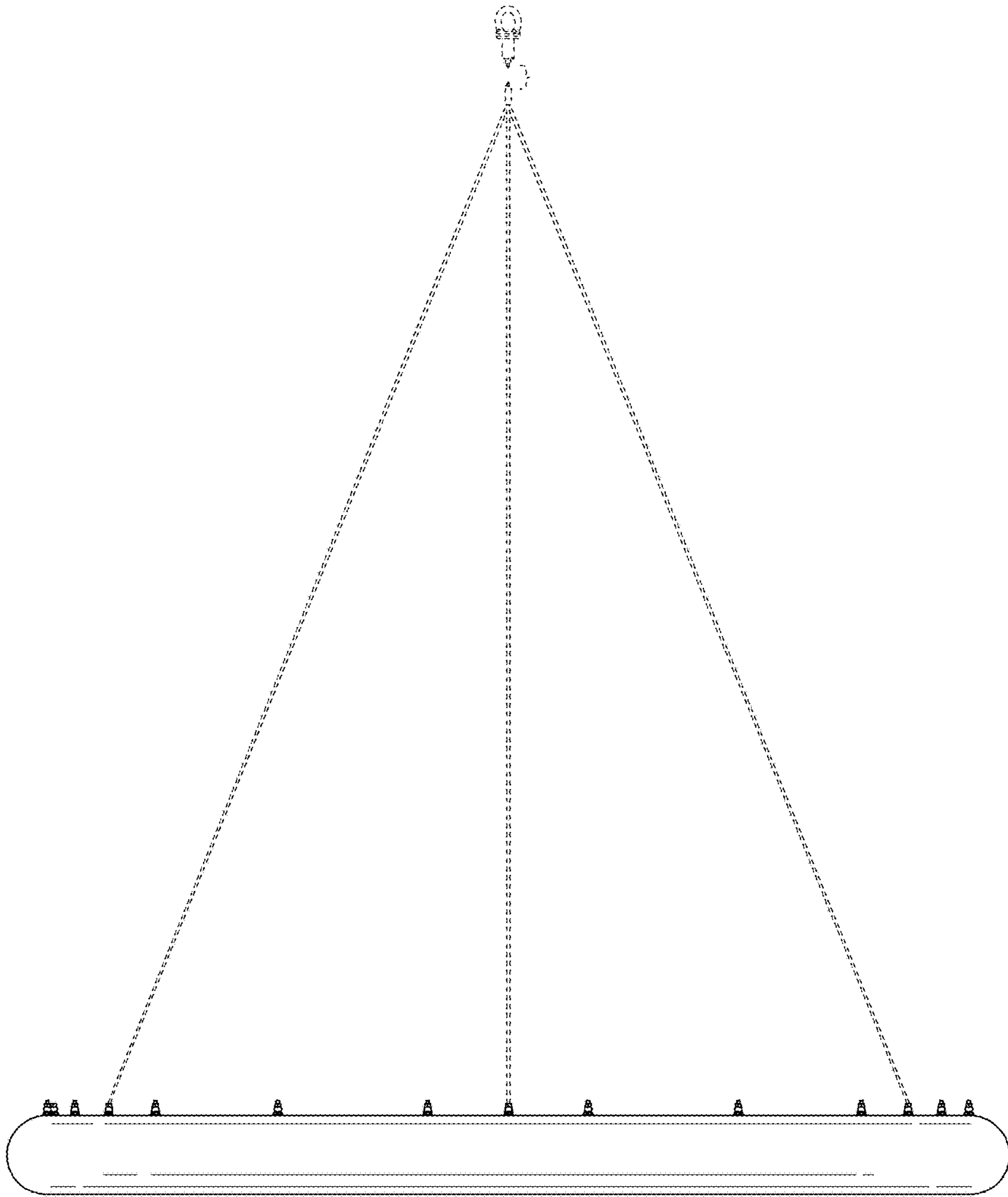


FIG. 9

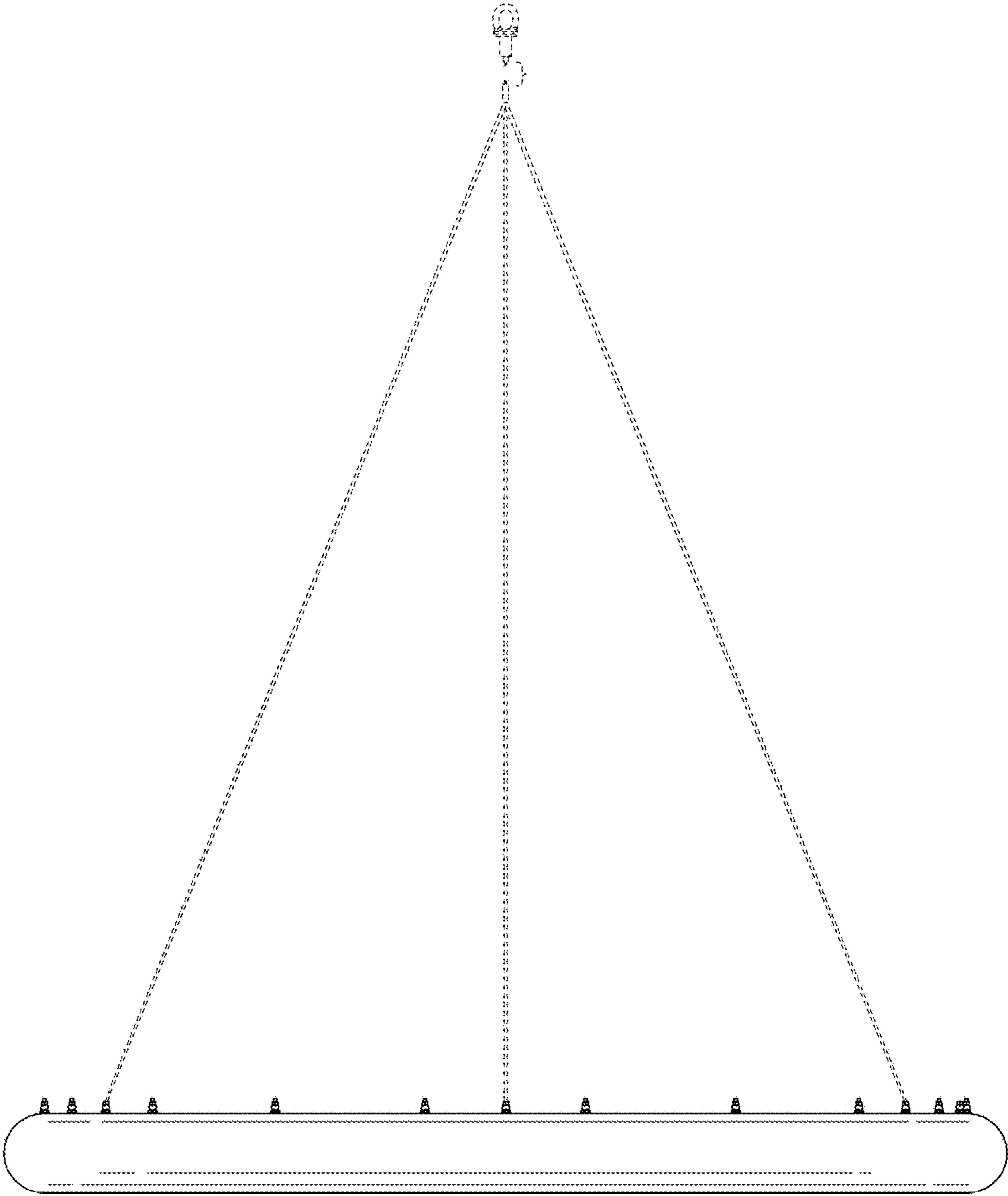


FIG. 10

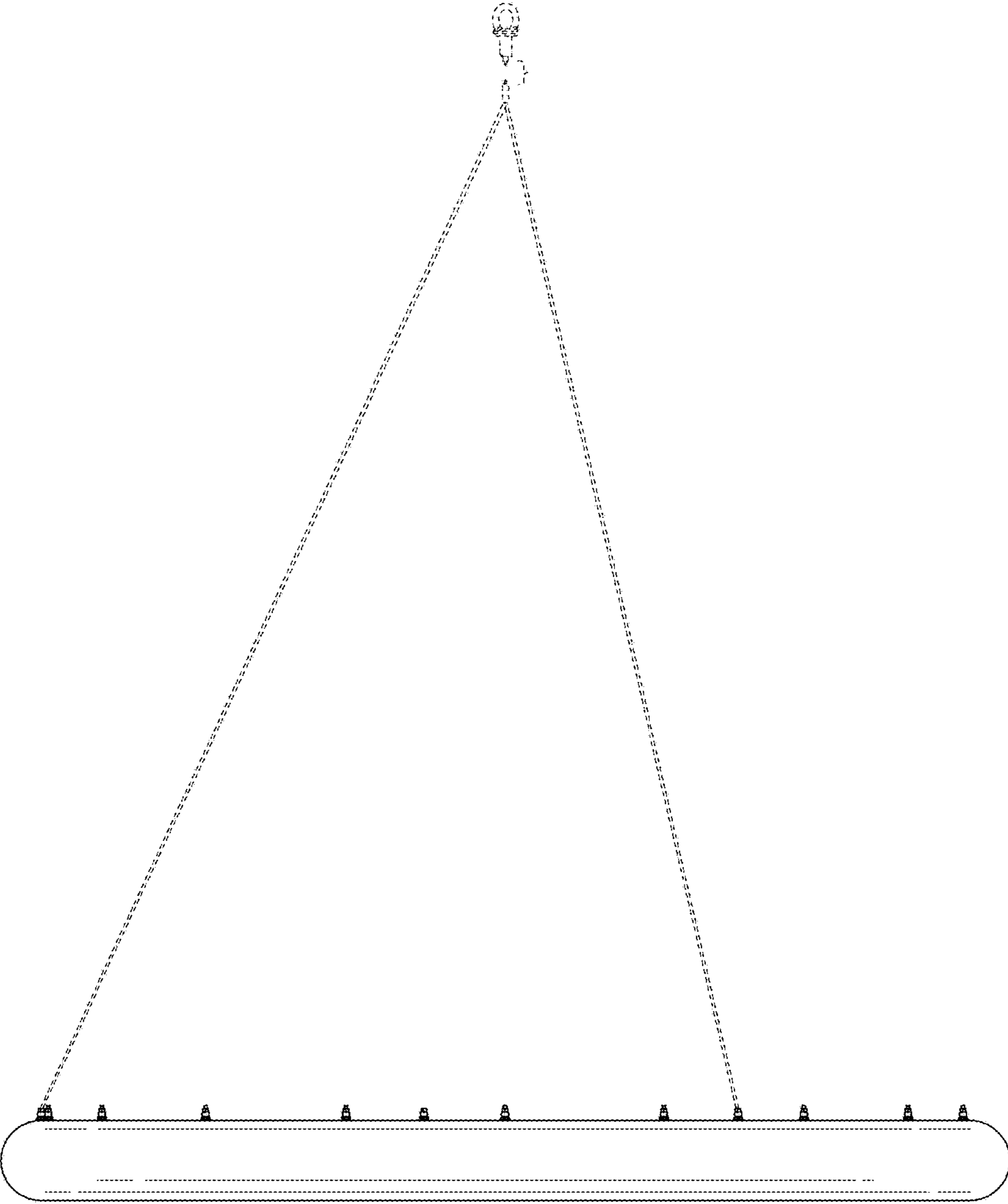


FIG. 11

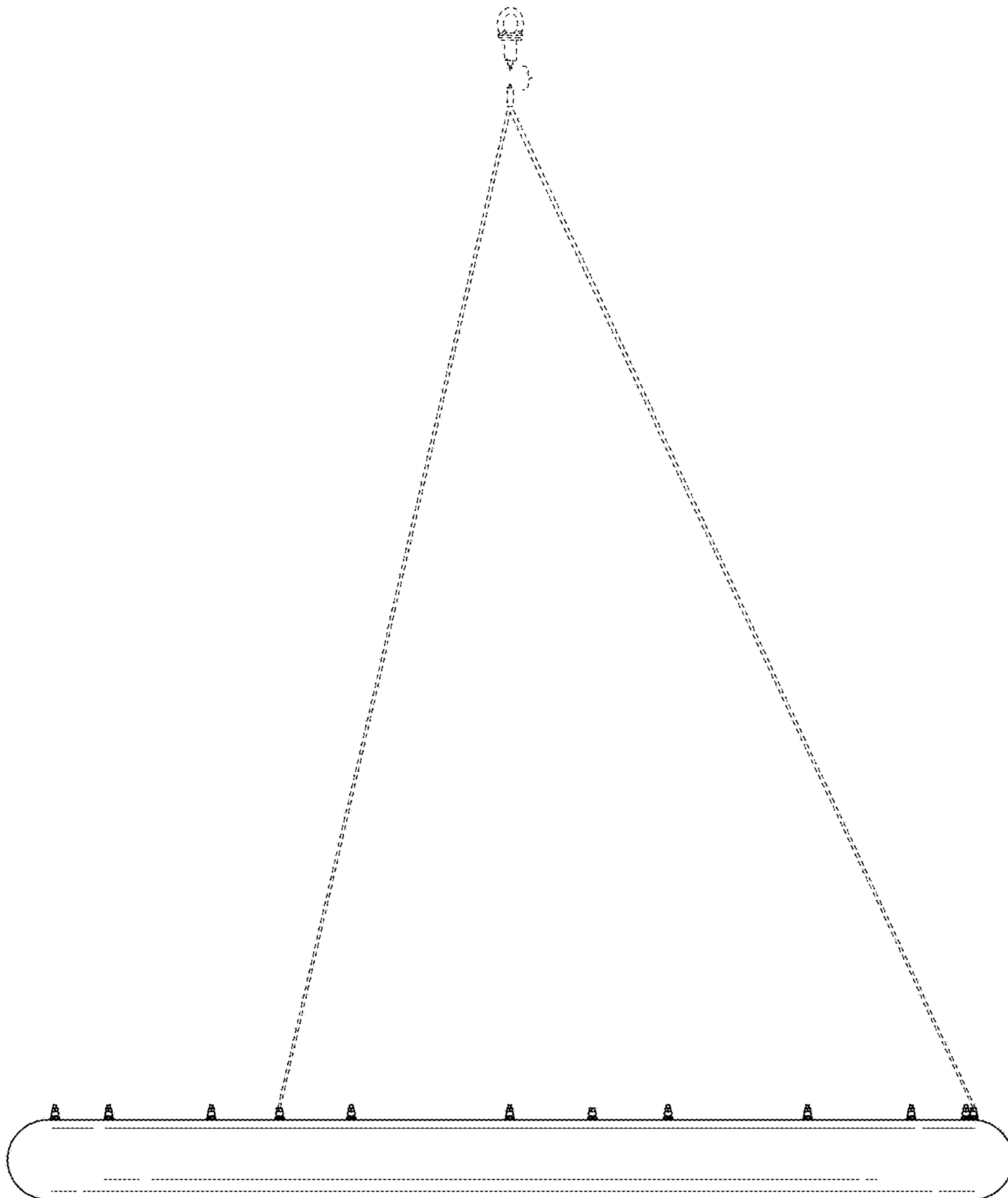


FIG. 12

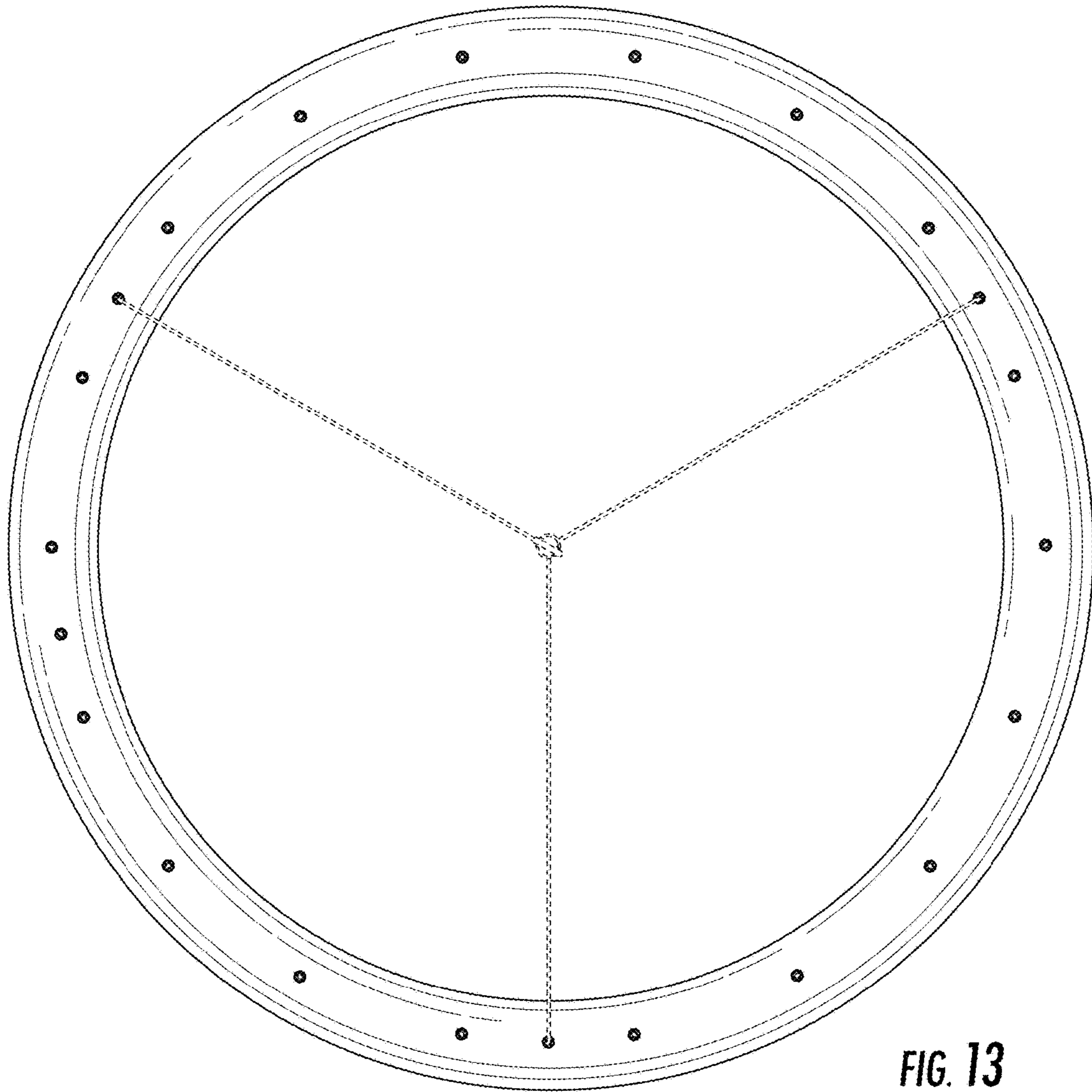


FIG. 13

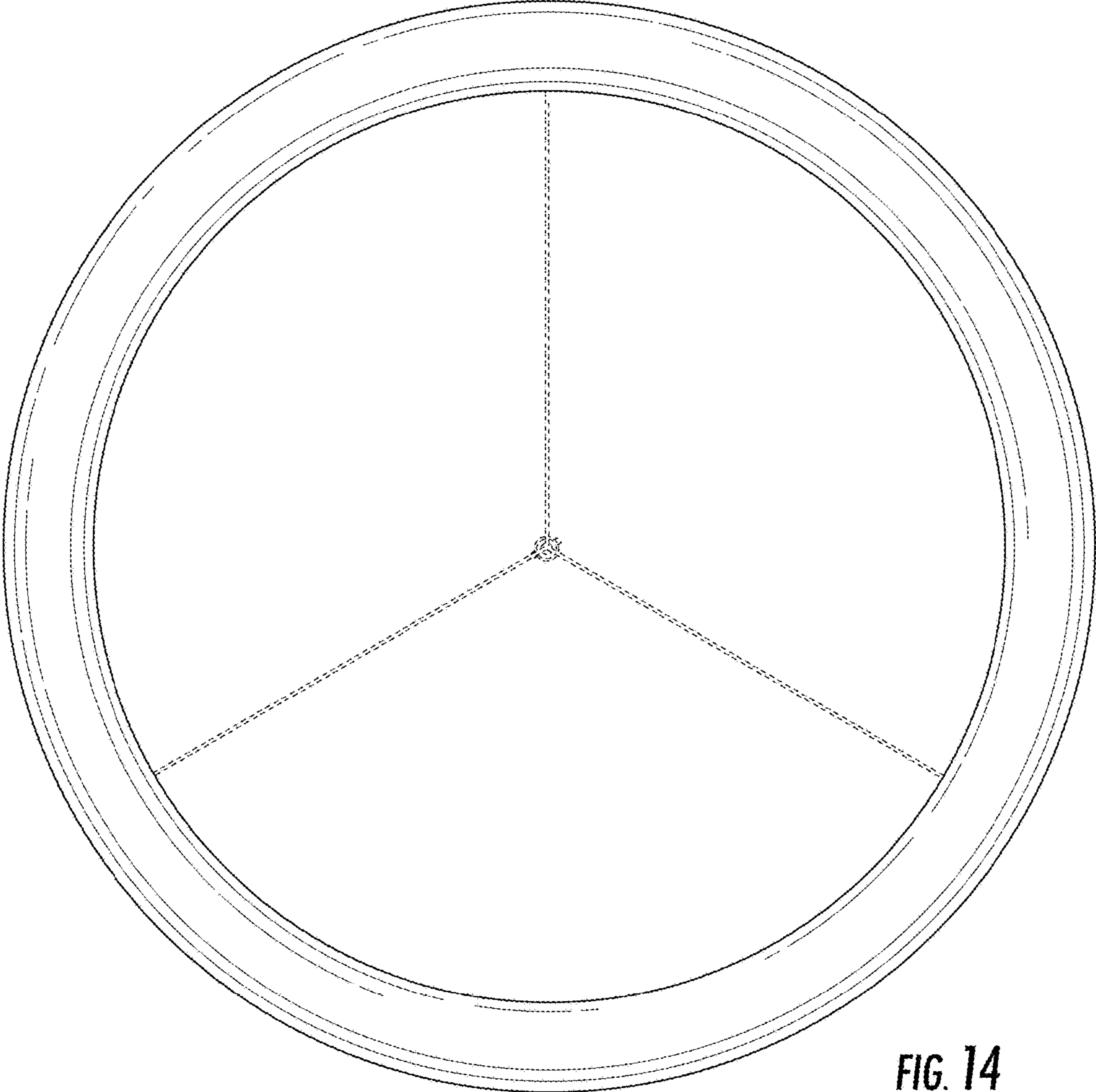


FIG. 14