



US00D840059S

(12) **United States Design Patent** (10) **Patent No.:** **US D840,059 S**
Sanders (45) **Date of Patent:** **** Feb. 5, 2019**

(54) **LANDSCAPE EDGING**

- (71) Applicant: **Dimex, LLC**, Marietta, OH (US)
 - (72) Inventor: **Forrest Adam Sanders**, Marietta, OH (US)
 - (73) Assignee: **Dimex, LLC**, Marietta, OH (US)
 - (**) Term: **15 Years**
 - (21) Appl. No.: **29/608,175**
 - (22) Filed: **Jun. 20, 2017**
 - (51) **LOC (11) Cl.** **25-01**
 - (52) **U.S. Cl.**
USPC **D25/164**
 - (58) **Field of Classification Search**
USPC D25/164, 199
CPC E01C 11/22; E01C 11/221; E01C 11/222;
E01C 11/223; E01C 11/225; A01G 1/00;
A01G 1/08
- See application file for complete search history.

(56) **References Cited**

U.S. PATENT DOCUMENTS

268,441	A	12/1882	Tunica
457,886	A	8/1891	Landis
992,529	A	5/1911	Abraham
1,666,613	A	4/1928	Woods
1,843,108	A	2/1932	Clayden
1,997,876	A	4/1935	Sheldon
2,163,613	A	6/1939	Manofsky
2,164,681	A	7/1939	Fould
2,193,425	A	3/1940	Lake
D130,420	S	11/1941	Schlatter
D151,022	S	9/1948	Weber et al.

(Continued)

FOREIGN PATENT DOCUMENTS

GB	480927	A	3/1938
GB	2369979	A	6/2002

(Continued)

OTHER PUBLICATIONS

Dimex EdgePro Website. <http://www.edgepro.com/hardscape/edgepro-h.sub.-edge.html> Found Jul. 15, 2016.
(Continued)

Primary Examiner — Cynthia Ramirez
Assistant Examiner — L. Martinez
(74) *Attorney, Agent, or Firm* — Wood Herron & Evans LLP

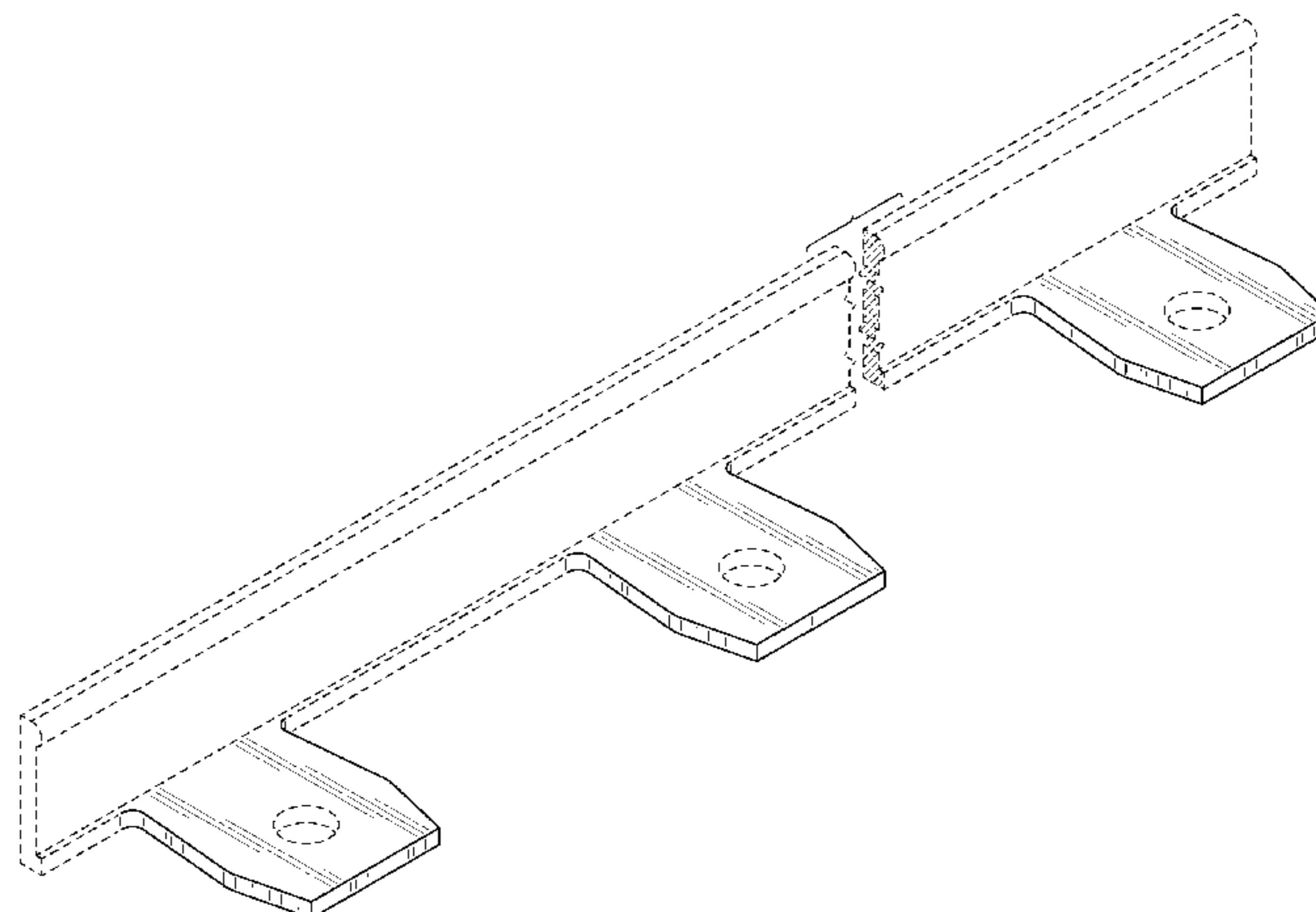
(57) **CLAIM**

The ornamental design for a landscape edging, as shown and described.

DESCRIPTION

FIG. 1 is a front isometric view of a landscape edging showing our new design;
FIG. 2 is a top plan view of the landscape edging of FIG. 1;
FIG. 3 is a bottom plan view of the landscape edging of FIG. 1;
FIG. 4 is a front elevational view of the landscape edging of FIG. 1;
FIG. 5 is a rear elevational view of the landscape edging of FIG. 1;
FIG. 6 is a right side elevational view of the landscape edging of FIG. 1;
Fig. 7 is a left side elevational view of the landscape edging of FIG. 1; and,
FIG. 8 is a top plan view with the landscape edging of FIG. 1 in an alternate configuration.
The landscape edging is shown with a symbolic break in its length. The appearance of any portion of the landscape edging between the break lines forms no part of the claimed design.

1 Claim, 4 Drawing Sheets



(56)

References Cited

U.S. PATENT DOCUMENTS

D178,659 S 9/1956 Hield
 2,809,809 A 10/1957 Johnston
 2,877,600 A 3/1959 Slate
 D185,236 S 5/1959 Reese
 3,170,201 A 2/1965 Nofziger
 3,222,841 A 12/1965 Lipof
 3,314,193 A 4/1967 Chancellor
 3,332,197 A 7/1967 Hinkle
 3,378,949 A 4/1968 Dorris
 3,484,989 A 12/1969 Lazinsky
 3,520,082 A 7/1970 Smith
 3,604,164 A 9/1971 Mason
 3,619,944 A 11/1971 Matvey
 3,728,837 A 4/1973 Kiefer, Jr.
 3,788,001 A 1/1974 Balfanz, Jr.
 3,815,311 A 6/1974 Nisula et al.
 3,957,383 A 5/1976 Fredericks
 4,182,072 A 1/1980 Much
 4,202,145 A 5/1980 Coulter et al.
 D257,064 S 9/1980 Kobee
 4,349,596 A 9/1982 Hendrix
 4,628,632 A 12/1986 Zwier
 4,744,194 A 5/1988 Yasuyoshi
 4,761,923 A 8/1988 Reum et al.
 4,809,459 A 3/1989 Brylla et al.
 4,824,068 A 4/1989 Ferland
 4,858,379 A 8/1989 West
 4,863,307 A 9/1989 Jones
 4,905,442 A 3/1990 Daniels
 4,907,783 A 3/1990 Fisk et al.
 4,987,717 A 1/1991 Dameron, Jr.
 5,020,272 A 6/1991 Herrema et al.
 5,048,241 A 9/1991 Gavin, Jr.
 5,117,583 A 6/1992 Reum
 D329,707 S 9/1992 Embree et al.
 D329,709 S 9/1992 Strobl, Jr.
 5,152,507 A 10/1992 Lee
 5,157,867 A 10/1992 Fritch
 5,212,917 A 5/1993 Kurtz et al.
 5,240,343 A 8/1993 Strobl, Jr.
 D339,199 S 9/1993 Rynberk
 5,301,461 A 4/1994 Zwier
 5,375,941 A * 12/1994 Strobl, Jr. E01C 11/221
 52/102
 5,379,546 A 1/1995 Popp
 5,421,118 A 6/1995 Bauer
 5,442,877 A 8/1995 Lindhal
 D363,788 S 10/1995 Caley
 D366,191 S 1/1996 Gay
 5,501,036 A 3/1996 Torp, Jr. et al.
 D368,969 S 4/1996 Davies
 D372,547 S 8/1996 Sjodin
 D373,205 S 8/1996 Caley
 5,544,445 A 8/1996 Mantilla
 D378,857 S 4/1997 Hale
 5,640,801 A 6/1997 Rynberk
 D393,164 S 4/1998 Russell et al.
 5,771,643 A 6/1998 Parker
 5,772,357 A 6/1998 Evans
 D400,985 S 11/1998 Risi
 D408,558 S 4/1999 Levy
 D413,397 S 8/1999 Benjamin
 5,930,947 A 8/1999 Eckhoff
 5,941,018 A 8/1999 Herrema

6,012,254 A 1/2000 Gaston
 6,030,144 A 2/2000 Cannella
 6,038,811 A 3/2000 Conway
 D424,714 S 5/2000 Hale
 6,085,458 A 7/2000 Gau
 6,099,201 A 8/2000 Abbrancati
 6,108,969 A 8/2000 Danna et al.
 D433,291 S 11/2000 Shamoon
 6,226,934 B1 5/2001 Gaston
 6,324,782 B1 12/2001 Gaston
 6,324,783 B1 12/2001 McIntyre et al.
 D453,578 S 2/2002 Olson
 6,345,465 B1 2/2002 Allen et al.
 6,379,078 B1 4/2002 Zwier
 D462,788 S 9/2002 Thornton et al.
 D463,581 S 9/2002 Mann
 D463,582 S 9/2002 Conde
 6,449,897 B1 9/2002 Gaston
 6,485,226 B1 11/2002 Harger
 D467,015 S 12/2002 O'Brien
 6,568,126 B2 5/2003 Womack
 6,619,565 B1 9/2003 Abbott
 6,629,383 B2 * 10/2003 Allen A01G 9/28
 47/33
 D489,465 S 5/2004 Allsopp
 6,754,989 B2 6/2004 Eicher
 6,779,297 B2 8/2004 Conde
 7,051,477 B2 5/2006 Burnham
 D541,952 S 5/2007 Keeley et al.
 D543,286 S 5/2007 Keeley et al.
 D548,368 S 8/2007 Hale et al.
 D586,005 S 2/2009 Schumaker et al.
 D606,670 S 12/2009 Keeley
 D612,072 S 3/2010 Keeley
 8,056,195 B2 * 11/2011 Zwier A01G 9/28
 52/102
 D733,936 S 7/2015 Amrine et al.
 D748,822 S 2/2016 Amrine et al.
 D748,823 S 2/2016 Amrine et al.
 D773,074 S 11/2016 Amrine et al.
 D776,834 S 1/2017 Amrine et al.
 D797,319 S * 9/2017 Amrine D25/164
 D797,320 S * 9/2017 Amrine D25/164
 D800,352 S * 10/2017 Amrine D25/164
 2002/0139045 A1 * 10/2002 Womack E02B 3/04
 47/33
 2003/0188478 A1 * 10/2003 Womack E02B 3/04
 47/33

FOREIGN PATENT DOCUMENTS

JP 7255277 10/1995
 JP 2002253060 A 9/2002
 JP 3490497 B2 1/2004

OTHER PUBLICATIONS

Valley View Industries Website. Diamond-LoK paver edgings.
<http://www.valleyviewind.com/consumers/paver-edgings/diamond-paver-edge/> Copyright 2016. Found Jul. 15, 2016.
 Valley View Specialties Co., Diamond-Lok Paver/Briick Edging,
 Pre Apr. 1996.
 Permaloc, Structure Edge Interlocking Snap-down Splicing System,
 Pre Apr. 1996.

* cited by examiner

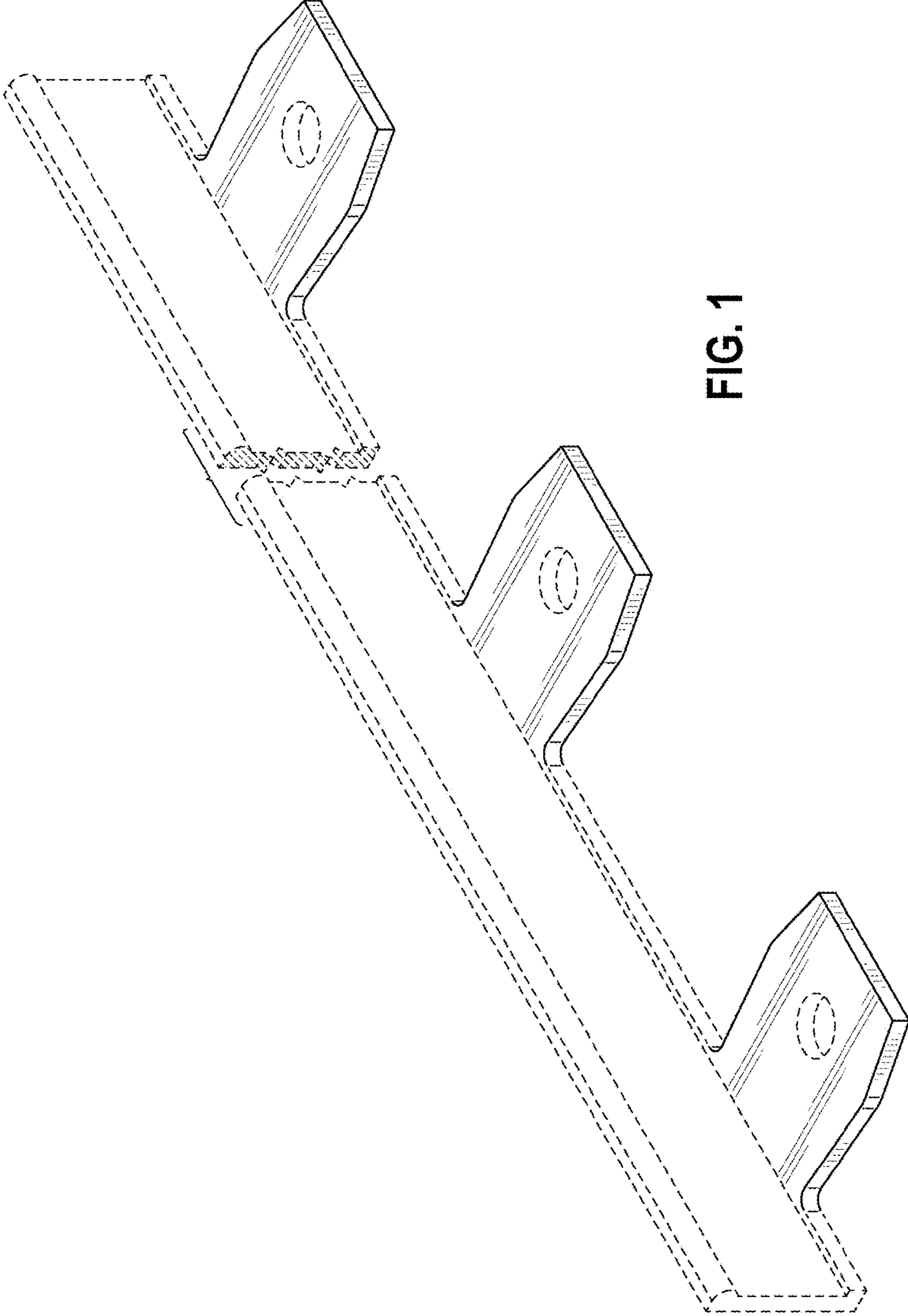


FIG. 1

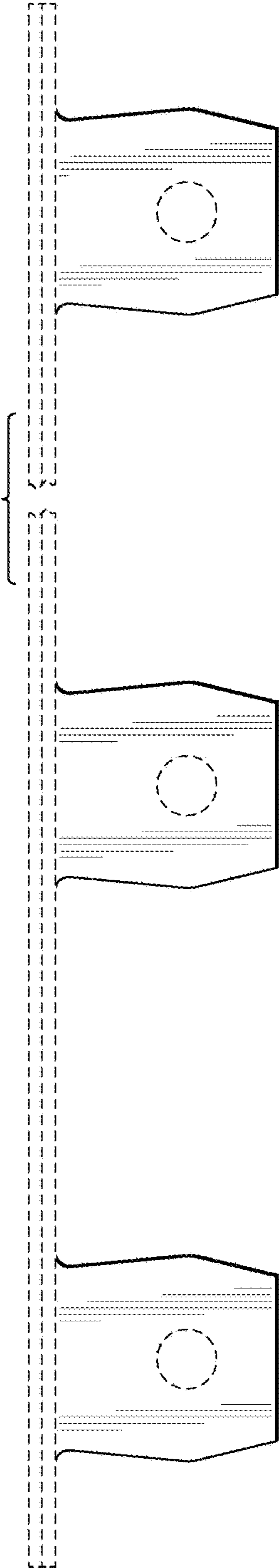


FIG. 2

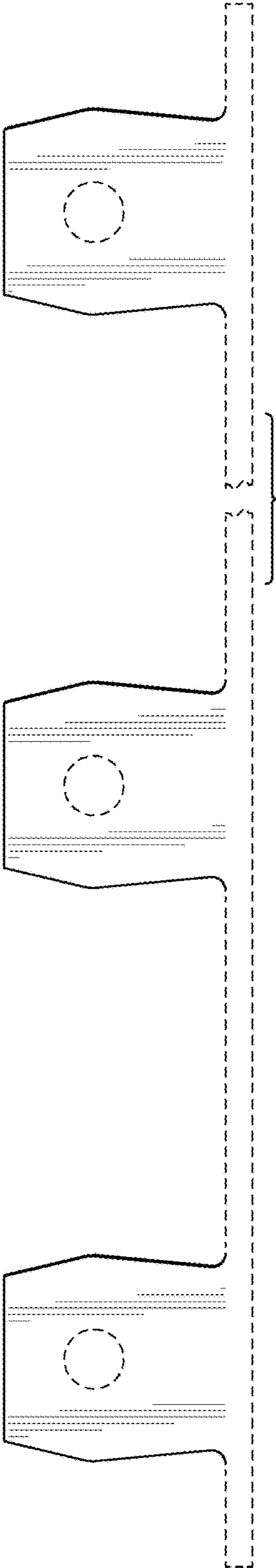


FIG. 3

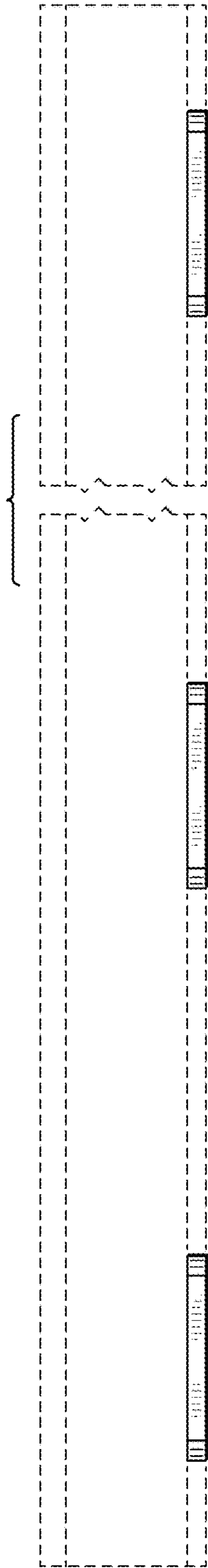


FIG. 4

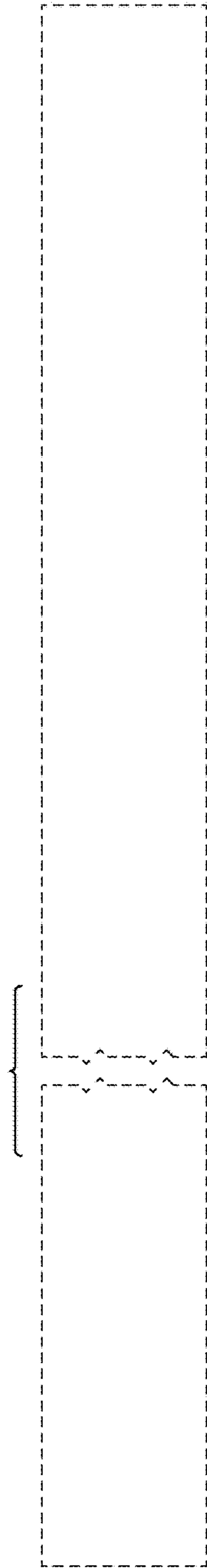


FIG. 5



FIG. 6

FIG. 7

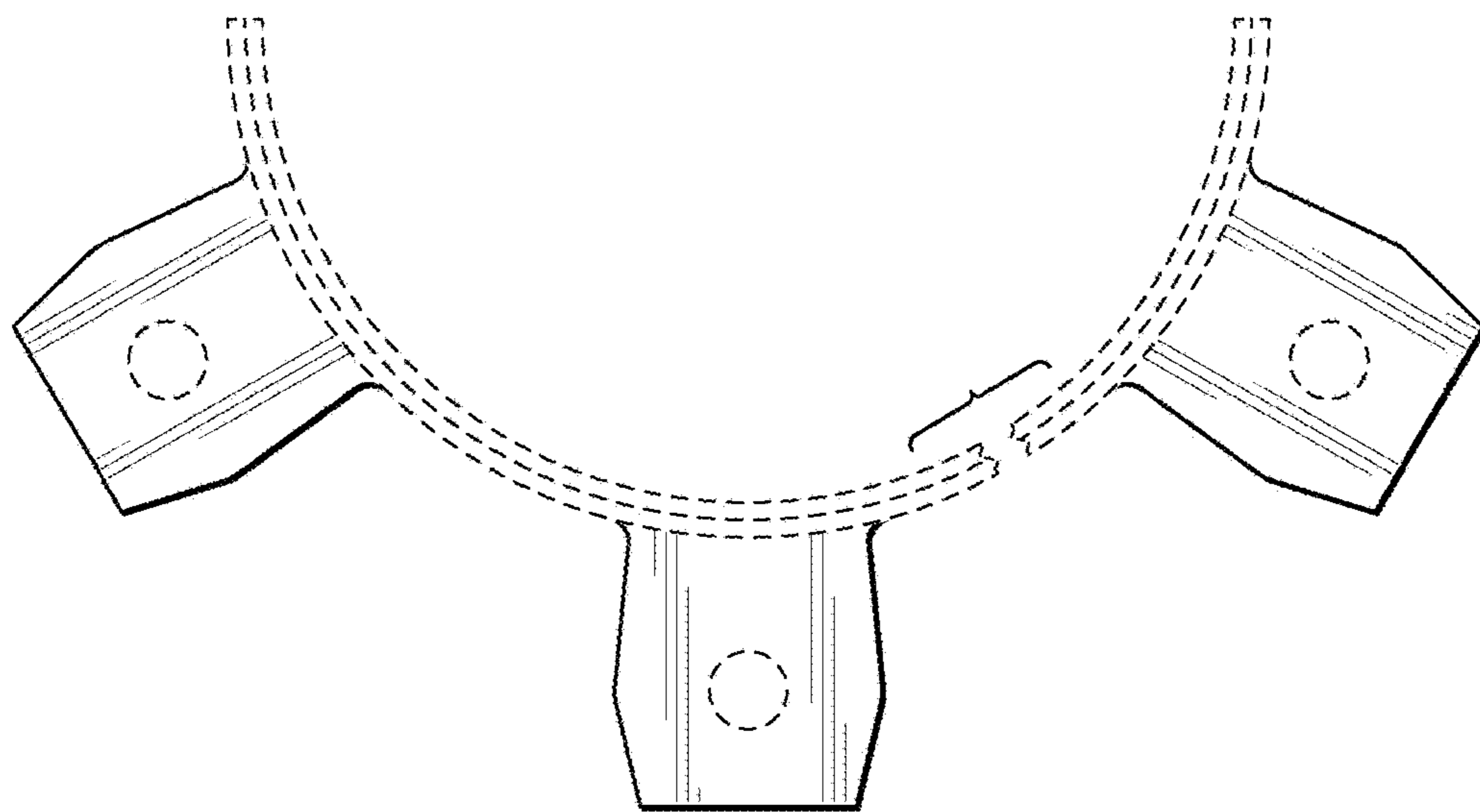


FIG. 8