



US00D840056S

(12) **United States Design Patent** (10) **Patent No.:** **US D840,056 S**  
**Hazenberg et al.** (45) **Date of Patent:** **\*\* Feb. 5, 2019**

(54) **SEA WALL CAP**

CPC .. E02B 3/04; E02B 3/041; E04C 2/543; E04F 19/02; E04F 11/18; E04F 11/1802; E04F 11/1863; A47D 15/00; A47D 15/008; A47D 7/00; A47D 7/02  
See application file for complete search history.

(71) Applicant: **Everlast Synthetic Products, LLC**, Woodstock, GA (US)

(72) Inventors: **Carl Anthony Hazenberg**, Woodstock, GA (US); **Jason Nelms**, Woodstock, GA (US); **Brad Lund**, Woodstock, GA (US); **Randall D. Heath**, Birmingham, AL (US)

(56) **References Cited**

U.S. PATENT DOCUMENTS

D86,952 S \* 5/1932 Garrison ..... D25/123  
2,636,189 A \* 4/1953 Feldman ..... A47D 13/06  
16/DIG. 2  
4,261,550 A \* 4/1981 Gregory ..... B60N 3/00  
256/67  
4,742,654 A \* 5/1988 Cole ..... E04B 1/70  
428/63  
5,743,064 A \* 4/1998 Bennett ..... B29C 66/4722  
256/59  
D422,368 S \* 4/2000 Wells ..... D25/58  
D637,313 S \* 5/2011 Lamberts ..... D25/103

(Continued)

(73) Assignee: **Everlast Synthetic Products, LLC**, Woodstock, GA (US)

(\*\*) Term: **15 Years**

(21) Appl. No.: **29/613,354**

(22) Filed: **Aug. 9, 2017**

*Primary Examiner* — Thomas Johannes  
*Assistant Examiner* — Samantha Q. Lawrence

**Related U.S. Application Data**

(62) Division of application No. 29/568,952, filed on Jun. 22, 2016, now Pat. No. Des. 815,759.

(51) **LOC (11) Cl.** ..... **25-01**

(52) **U.S. Cl.**  
USPC ..... **D25/138**

(58) **Field of Classification Search**

USPC .... D25/103–135, 47.1, 48, 49, 50, 48.7, 60, D25/38.1, 41.1, 48.2, 48.3, 136, 164, 62, D25/199; 52/201, 204.5, 204.54, 208, 52/306, 307, 308; 160/104, 201, 202, 160/235; D5/103, 104, 106, 109, 110, D5/11, 113, 138, 149, 157–163; D6/306, D6/470, 471, 472, 473, 474, 475, 476, D6/477, 478, 479, 480, 481, 482, 483, D6/484, 485, 486, 487, 488, 489, 490, D6/491, 492, 493, 494, 390, 718.28, D6/718.3, 719, 703, 703.1, 705.4, 705.5, D6/708, 713, 714, 718.26; D26/122; 428/13, 34, 426; D8/349, 354

(57) **CLAIM**

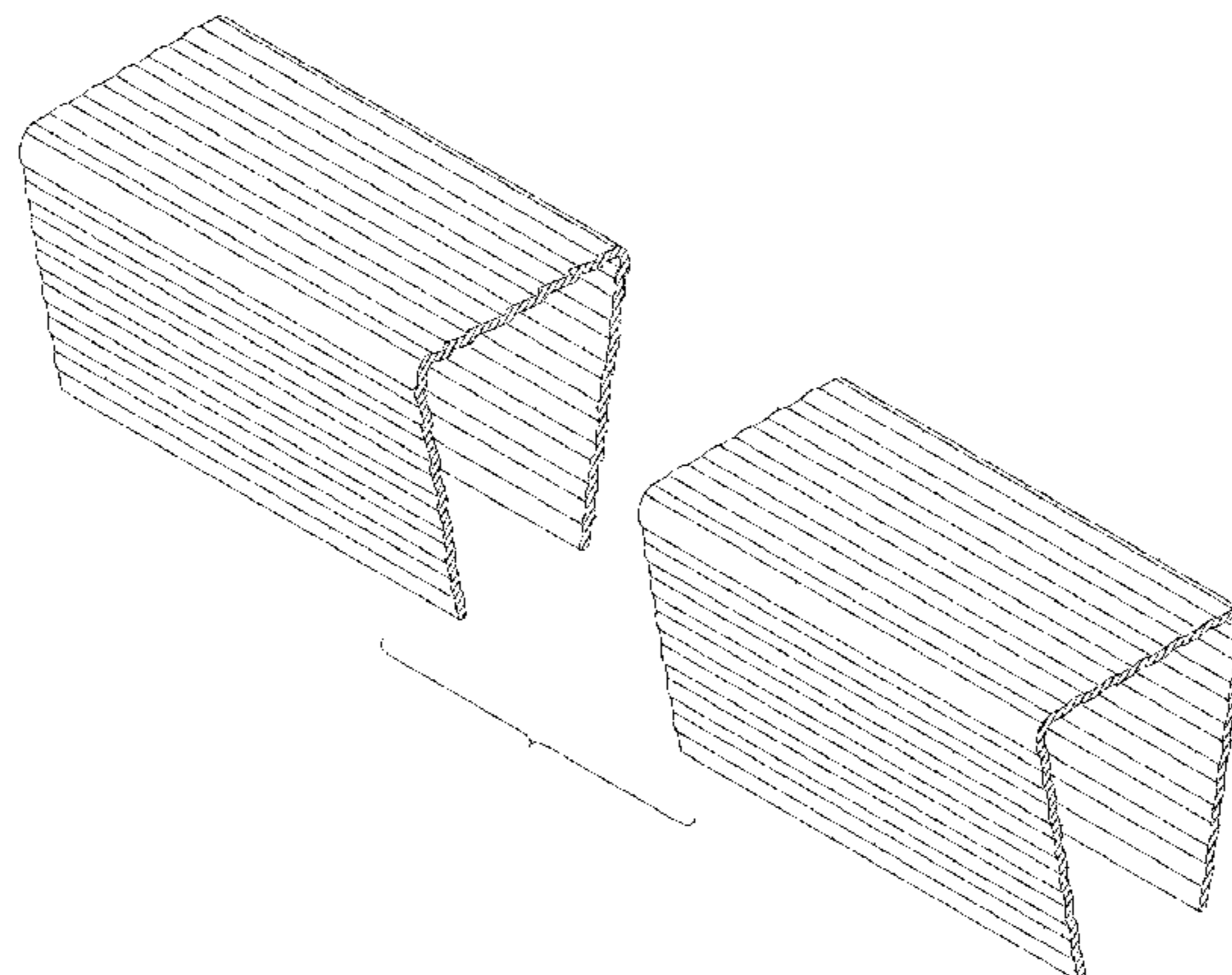
The ornamental design for a sea wall cap, as shown and described.

**DESCRIPTION**

FIG. 1 is perspective view of a sea wall cap;  
FIG. 2 is an end view thereof, the opposite end view being a mirror image;  
FIG. 3 is a side elevation view thereof;  
FIG. 4 is a top plan view thereof; and,  
FIG. 5 is a bottom view thereof.

The sea wall cap is shown with a symbolic break in its length. The appearance of any portion of the article between the break lines forms no part of the claimed design. Shading shown in the figures is for illustrative purposes to show surface contours in the drawings only and forms no part of the invention.

**1 Claim, 3 Drawing Sheets**



(56)

References Cited

U.S. PATENT DOCUMENTS

D647,635	S *	10/2011	Seehof .....	D25/125
D675,342	S *	1/2013	Sallon .....	D25/38.1
D677,557	S *	3/2013	Drake .....	D8/349
D684,704	S *	6/2013	Lamberts .....	D25/103
D689,206	S *	9/2013	Ellsworth .....	D25/125
D723,716	S *	3/2015	Imus .....	D25/121
D745,704	S *	12/2015	Tesauro .....	D25/69
D765,009	S *	8/2016	Conrad .....	D12/317
D766,458	S *	9/2016	Chapman .....	D25/48.2
D776,301	S *	1/2017	Lamberts .....	D25/125
D782,709	S *	3/2017	Quintile .....	D25/164
D791,344	S *	7/2017	Lamberts .....	D25/109
9,739,065	B1 *	8/2017	DeSalle .....	E04F 11/18
D802,167	S *	11/2017	Gyetvai .....	D25/119
D802,974	S *	11/2017	Marsden .....	D6/718.26
D806,270	S *	12/2017	Moreno .....	D25/125
D815,759	S *	4/2018	Hazenberg .....	D25/135
D818,611	S *	5/2018	Hazenberg .....	D25/135
2007/0218243	A1 *	9/2007	Mak .....	B32B 21/13 428/98
2011/0120031	A1 *	5/2011	Scherba .....	E04C 2/543 52/202
2011/0198552	A1 *	8/2011	Umosella, III .....	E04F 11/1817 256/65.08
2012/0110938	A1 *	5/2012	DesJardins, Jr. ....	E04F 19/02 52/309.1

\* cited by examiner

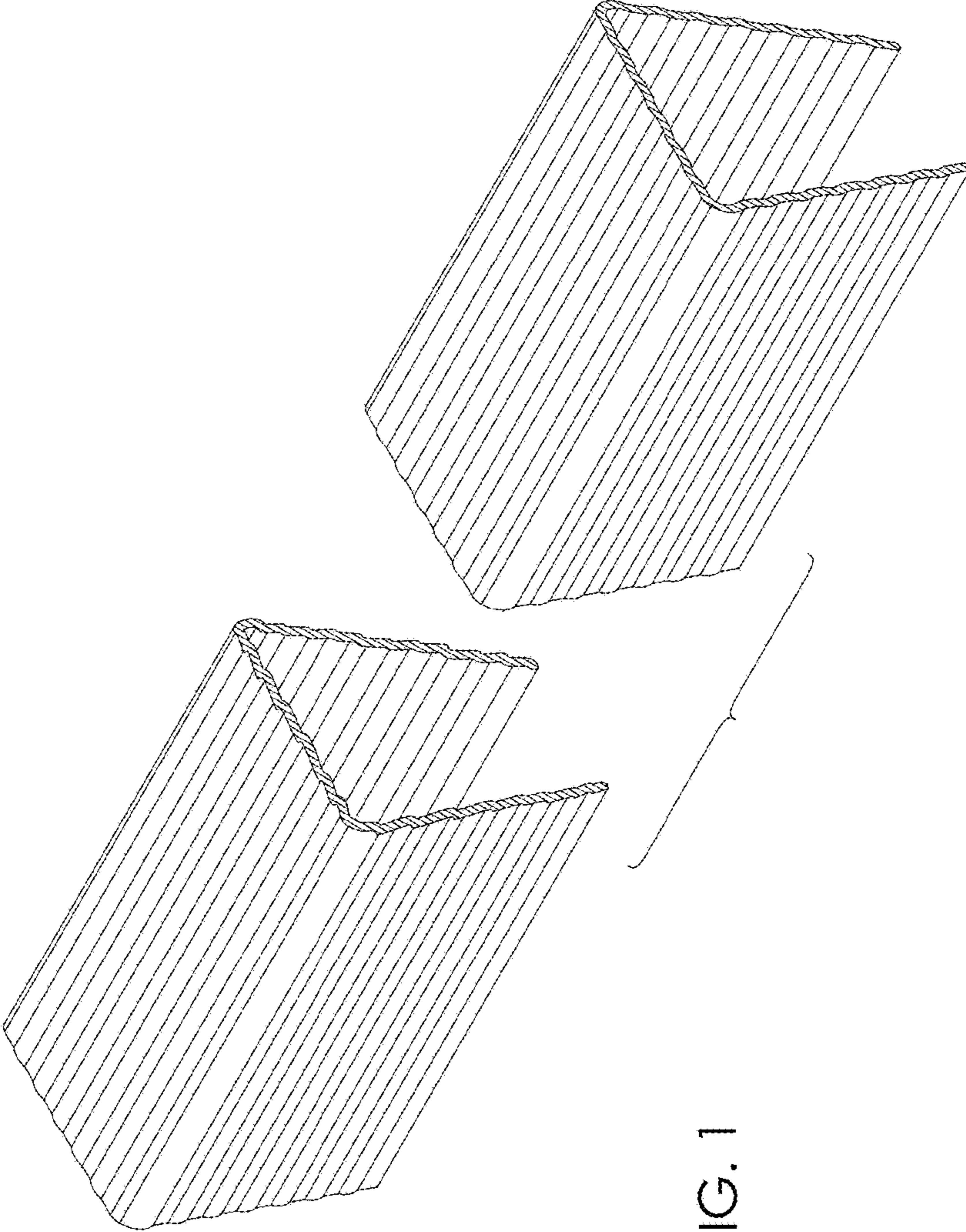


FIG. 1

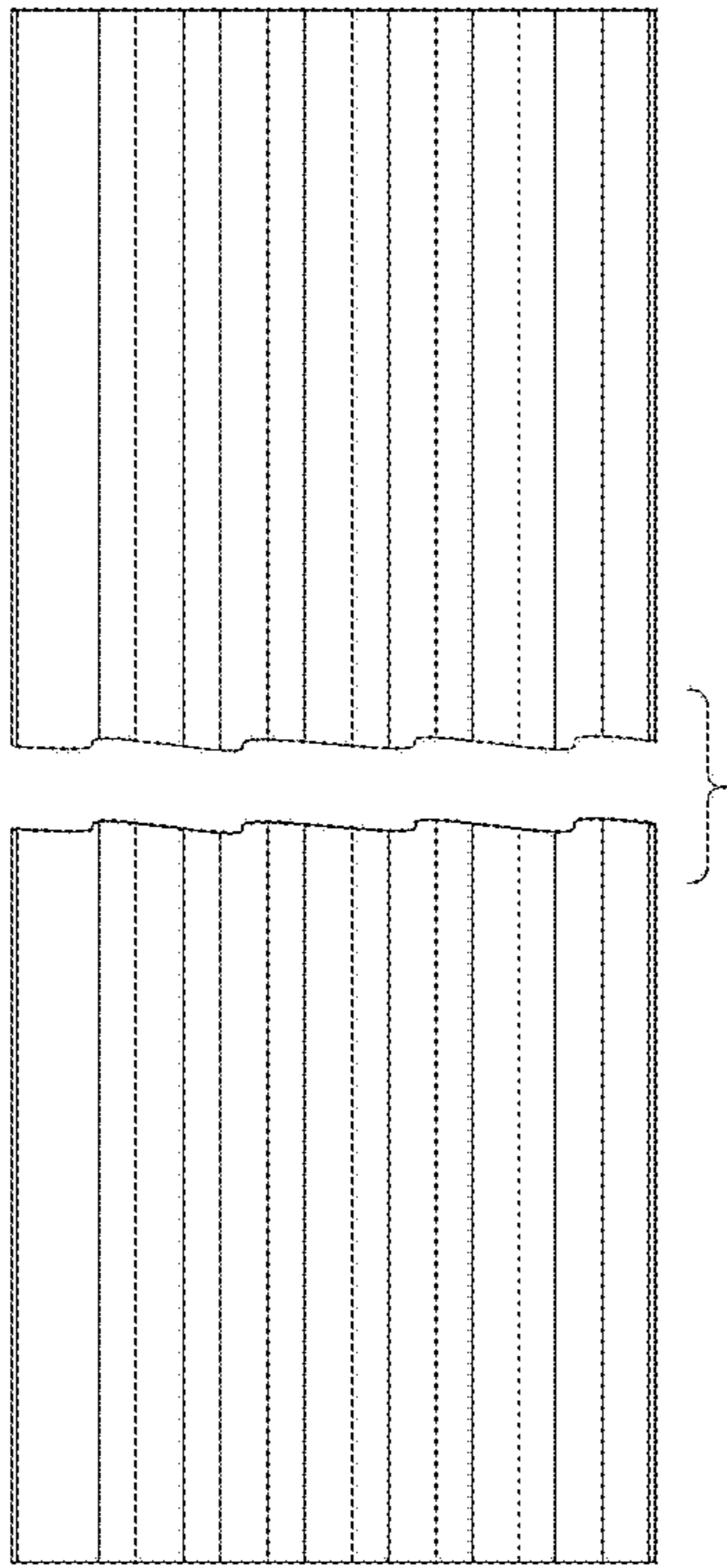


FIG. 3

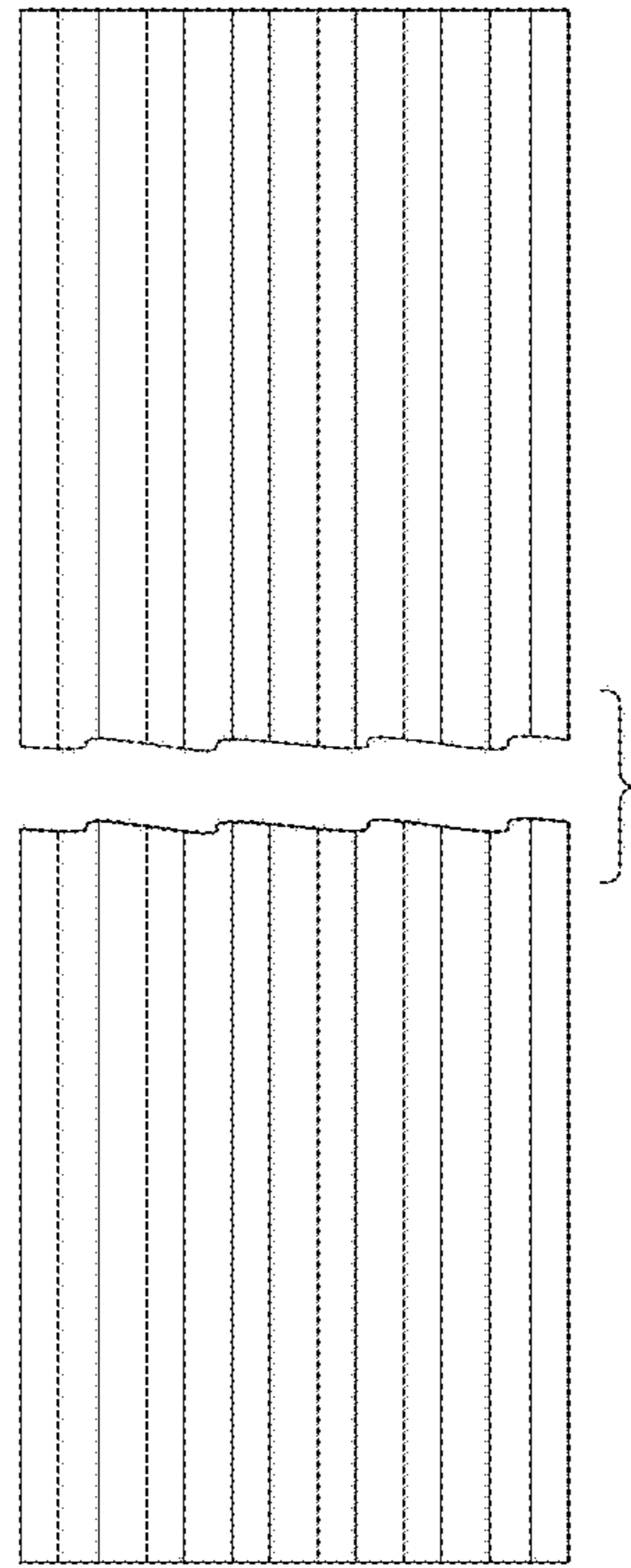


FIG. 4

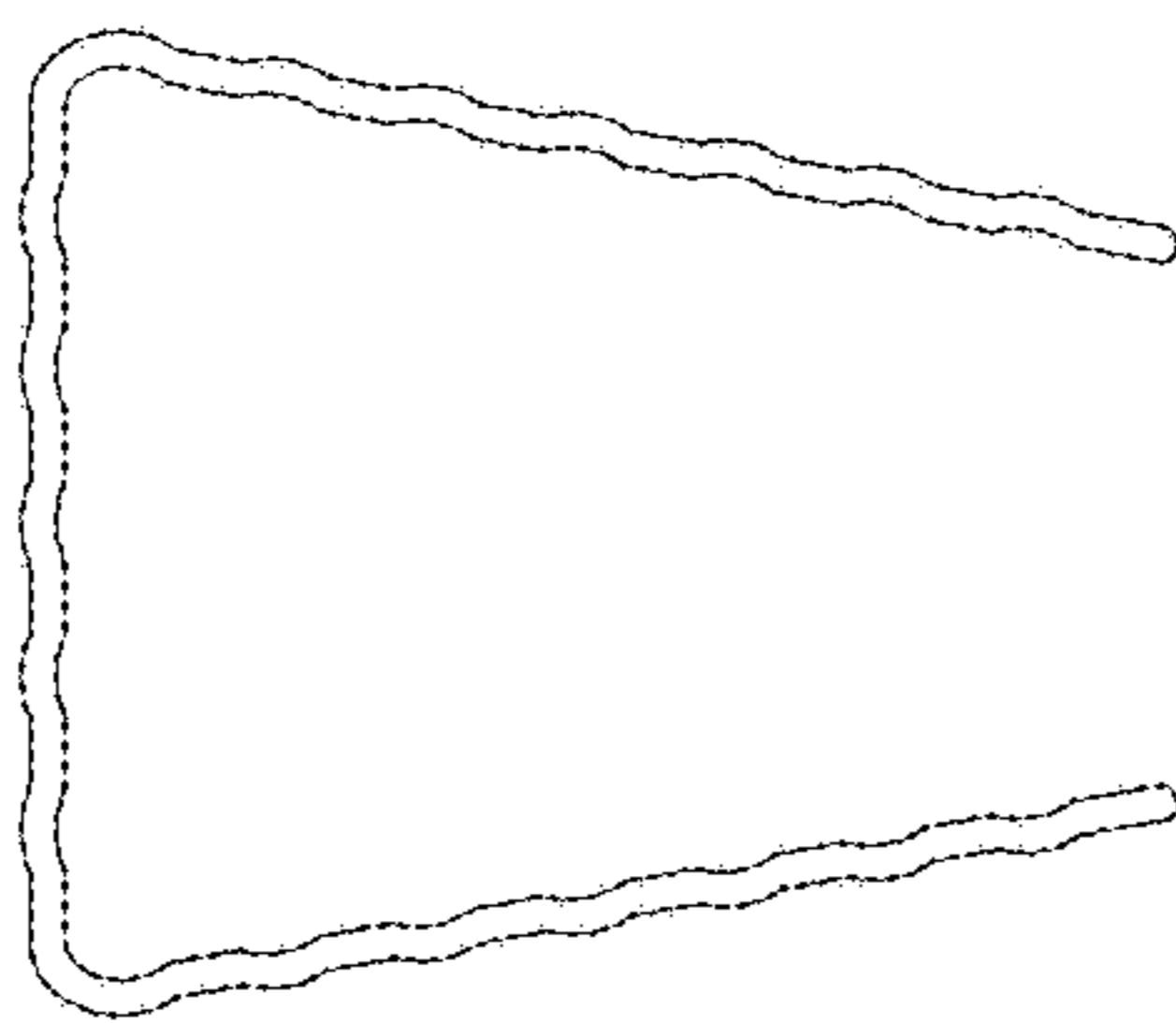


FIG. 2

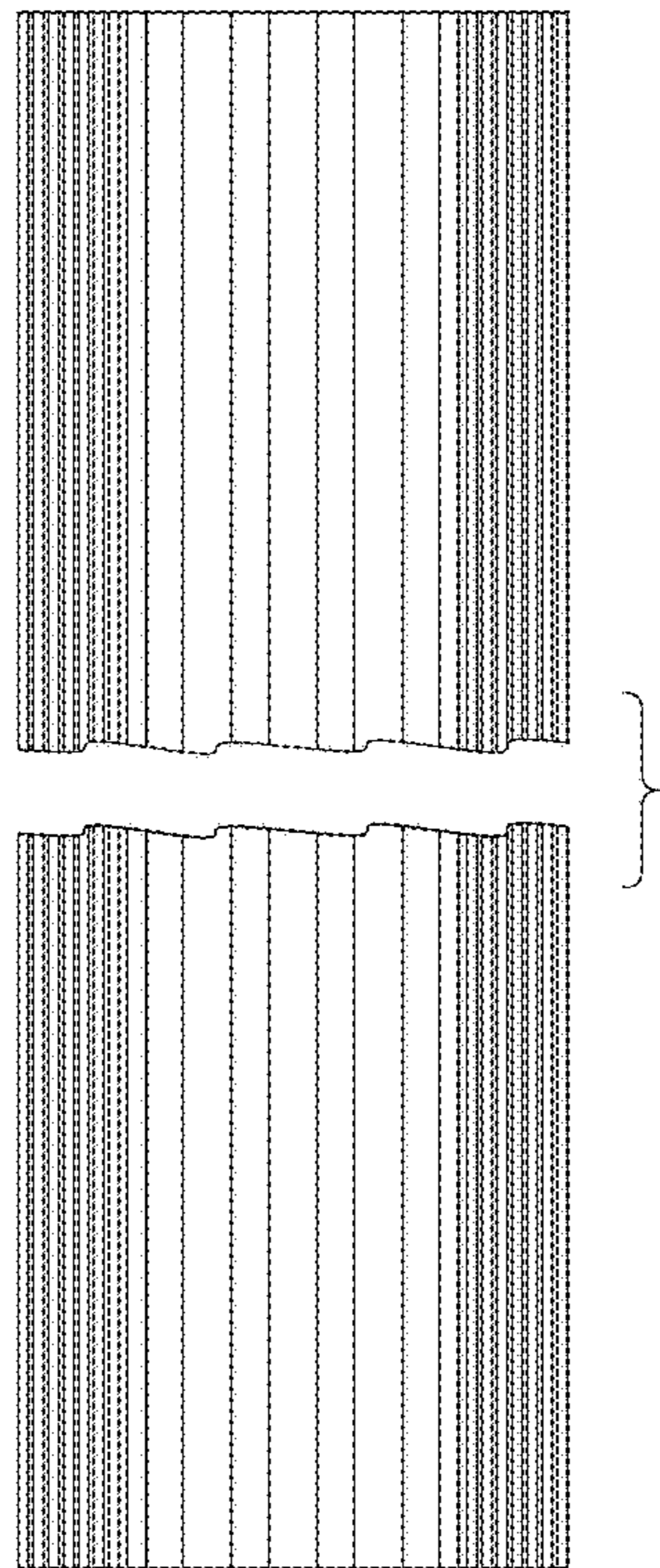


FIG. 5