



US00D840055S

(12) **United States Design Patent** (10) **Patent No.:** **US D840,055 S**
Skubic et al. (45) **Date of Patent:** **** Feb. 5, 2019**

- (54) **STEP LADDER** 2,899,008 A * 8/1959 Larson E06C 1/22
182/116
- (71) Applicant: **Tricam Industries, Inc.**, Eden Prairie, MN (US) 3,446,310 A 5/1969 Alfie
4,270,463 A 6/1981 Korzon
6,012,548 A 1/2000 Kim
6,347,687 B1 2/2002 Alim
(Continued)
- (72) Inventors: **Jeff D. Skubic**, Eden Prairie, MN (US);
Dennis D. Simpson, Plymouth, MN (US); **Benjamin P. Williams**, Chaska, MN (US); **Yongxue Lu**, Shanghai (CN)
(Continued)
- (73) Assignee: **Tricam Industries, Inc.**, Eden Prairie, MN (US)
- (**) Term: **15 Years**
- (21) Appl. No.: **29/633,324**
- (22) Filed: **Jan. 12, 2018**

FOREIGN PATENT DOCUMENTS

- AU 2007101150 1/2008
 - FR 2777593 10/1999
- (Continued)

OTHER PUBLICATIONS

Polder® 3-Step Ladder. Crate and Barrel, <http://www.crateandbarrel.com/polder-3-step-ladder/s451498>, accessed May 6, 2015.
(Continued)

Related U.S. Application Data

- (63) Continuation of application No. 14/617,441, filed on Feb. 9, 2015.
- (51) **LOC (11) Cl.** **25-04**
- (52) **U.S. Cl.**
USPC **D25/64**
- (58) **Field of Classification Search**
USPC D25/62-65, 68, 69; 182/121, 23, 172, 182/125, 116, 122, 102, 96, 28, 27, 46, 182/20, 22, 26, 228.2, 222, 33, 129, 200, 182/156, 127, 120, 228.3, 104, 168, 206, 182/13, 33.3, 201, 106, 24, 25, 29, 117, 182/216, 124, 163, 161, 165, 180.1, 170
CPC E06C 1/39; E06C 1/32; E06C 1/38
See application file for complete search history.

Primary Examiner — Cynthia Ramirez
Assistant Examiner — Gino Colan
(74) *Attorney, Agent, or Firm* — Patterson Thuent Pedersen, P.A.

(57) **CLAIM**

We claim the ornamental design for step ladder, as shown and described.

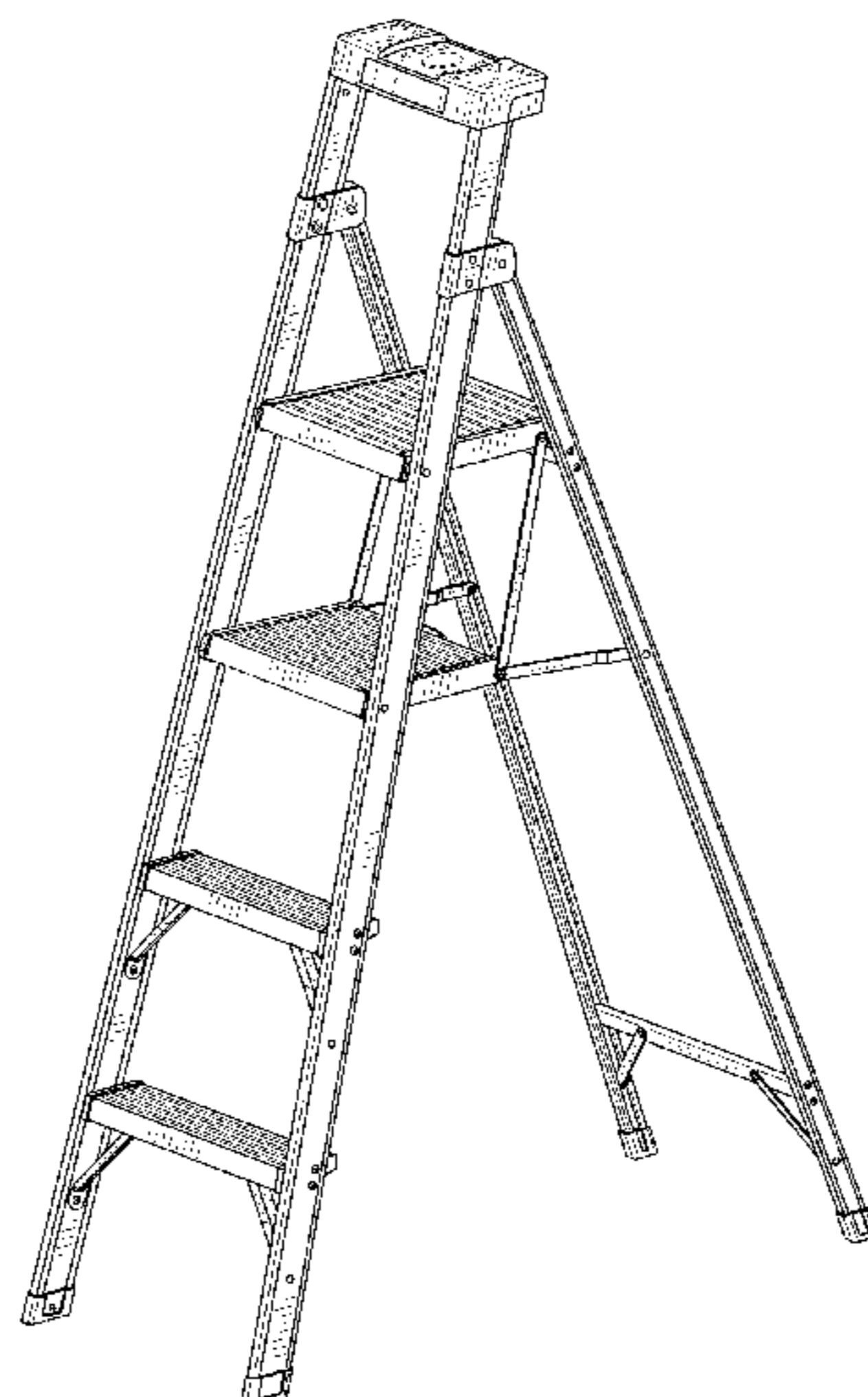
DESCRIPTION

FIG. 1 is a front perspective view of a step ladder.
FIG. 2 is a front elevation view thereof.
FIG. 3 is a rear elevation view thereof.
FIG. 4 is a right side elevation view thereof.
FIG. 5 is a left side elevation view thereof.
FIG. 6 is a top plan view thereof.
FIG. 7 is a bottom plan view thereof; and,
FIG. 8 is a rear perspective view thereof.
The dashed broken lines in the drawings depict portions of the step ladder that form no part of the claimed design.

(56) **References Cited**
U.S. PATENT DOCUMENTS

- 2,470,053 A * 5/1949 Salisbury E06C 1/32
182/120
- 2,650,014 A 8/1953 Harrison

1 Claim, 7 Drawing Sheets



(56)

References Cited

U.S. PATENT DOCUMENTS

6,390,238 B1 5/2002 Gibson et al.
 6,427,805 B1 8/2002 Gibson et al.
 6,550,579 B2 4/2003 Gibson et al.
 7,108,103 B2 9/2006 Meeker
 7,204,343 B1 4/2007 Seaman
 D548,364 S * 8/2007 Skubic D25/64
 D554,771 S 11/2007 Skubic et al.
 7,861,826 B2 1/2011 Meyers et al.
 8,997,931 B2 4/2015 Parker et al.
 D766,461 S * 9/2016 Moss D25/64
 D766,462 S * 9/2016 Moss D25/64
 D777,350 S * 1/2017 Moss D25/64
 2002/0017431 A1 2/2002 Gibson et al.
 2004/0000449 A1 1/2004 Meeker
 2004/0007424 A1 1/2004 Simpson
 2007/0181369 A1 8/2007 Gibson et al.
 2007/0284192 A1 12/2007 Meyers et al.
 2011/0024234 A1 2/2011 Lin
 2014/1022458 8/2014 Russell et al.
 2014/0332316 A1* 11/2014 Tiber B26D 7/01
 182/129

2015/0090533 A1* 4/2015 Moss E06C 1/16
 182/180.1
 2015/0159434 A1 6/2015 Leng
 2015/0308190 A1 10/2015 Skubic et al.

FOREIGN PATENT DOCUMENTS

FR 2816984 5/2002
 WO WO 2010/084135 7/2010

OTHER PUBLICATIONS

Cosco Signature Series 6 ft. Premium Aluminum Step Ladder, Home Depot, <http://www.homedepot.com/p/Cosco-Signature-Series-6-ft-Premium-Aluminum-Step-Ladder-2061AABLD/203642157>, accessed May 6, 2015.
 Werner 4 ft. Fiberglass Platform Step Ladder with 375 lb. Load Capacity Type IAA Duty Rating. Home Depot, <http://www.homedepot.com/p/Werner-4-ft-Fiberglass-Platform-Step-Ladder-with-375-lb-Load-Capacity-Type-IAA-Duty-Rating-P7404/203134335>, accessed May 6, 2015.
 Application and File History from U.S. Appl. No. 14/617,441, filed Feb. 9, 2015, inventors Skubic et al.

* cited by examiner

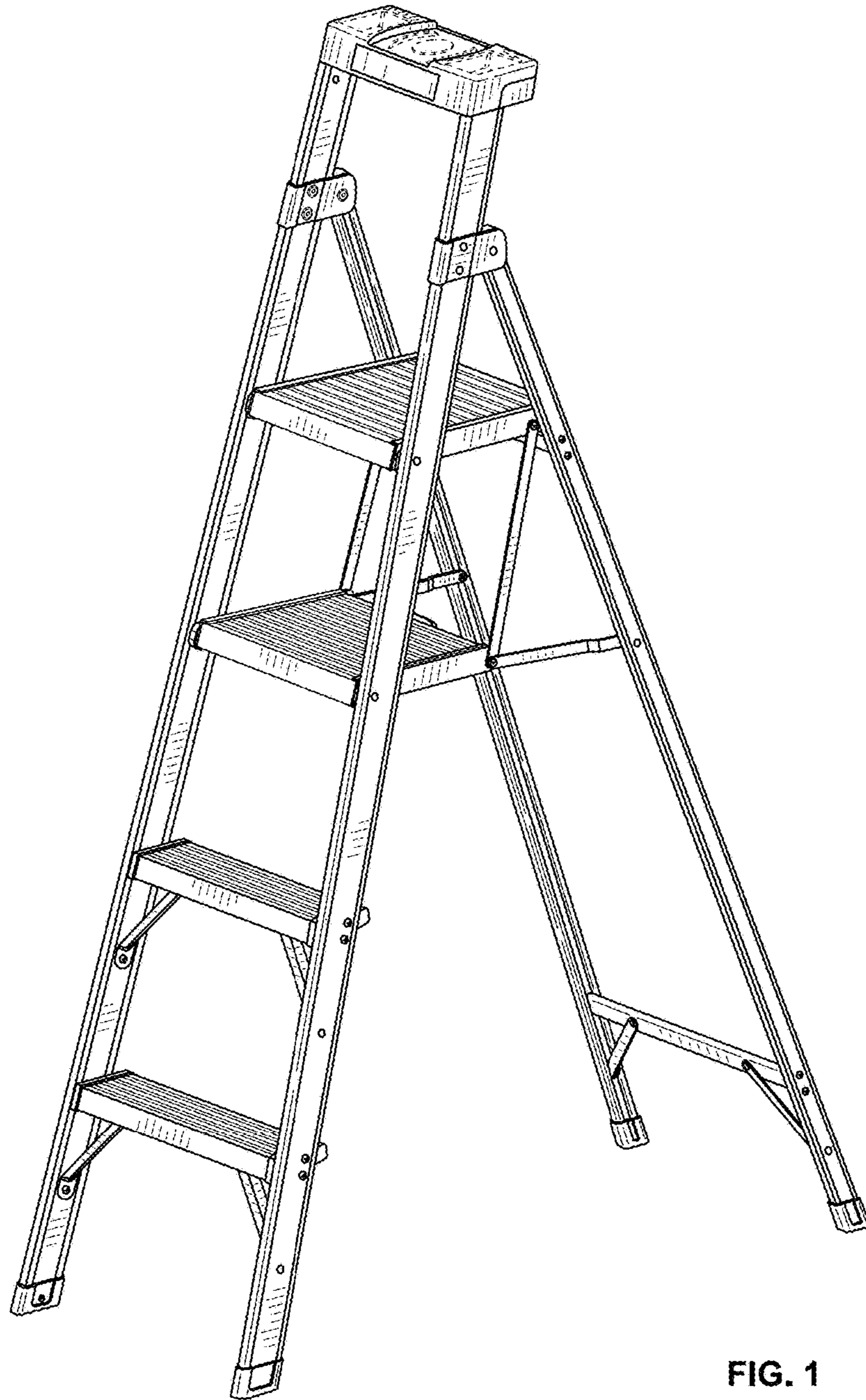


FIG. 1

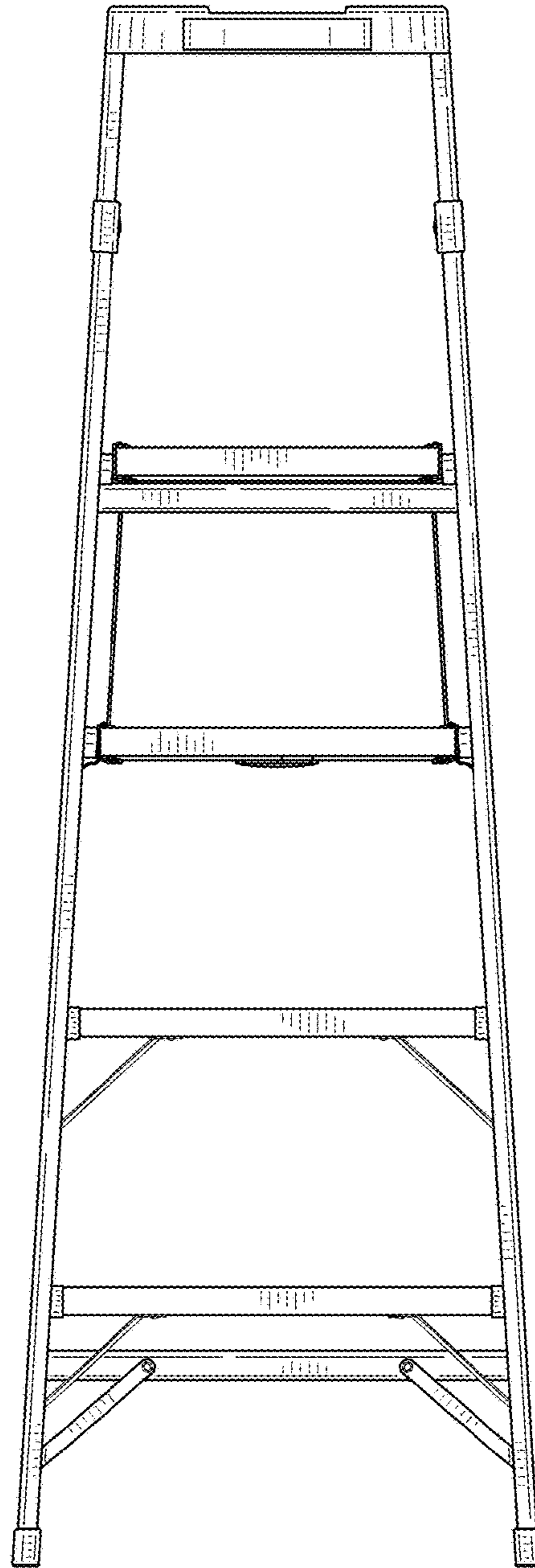


FIG. 2

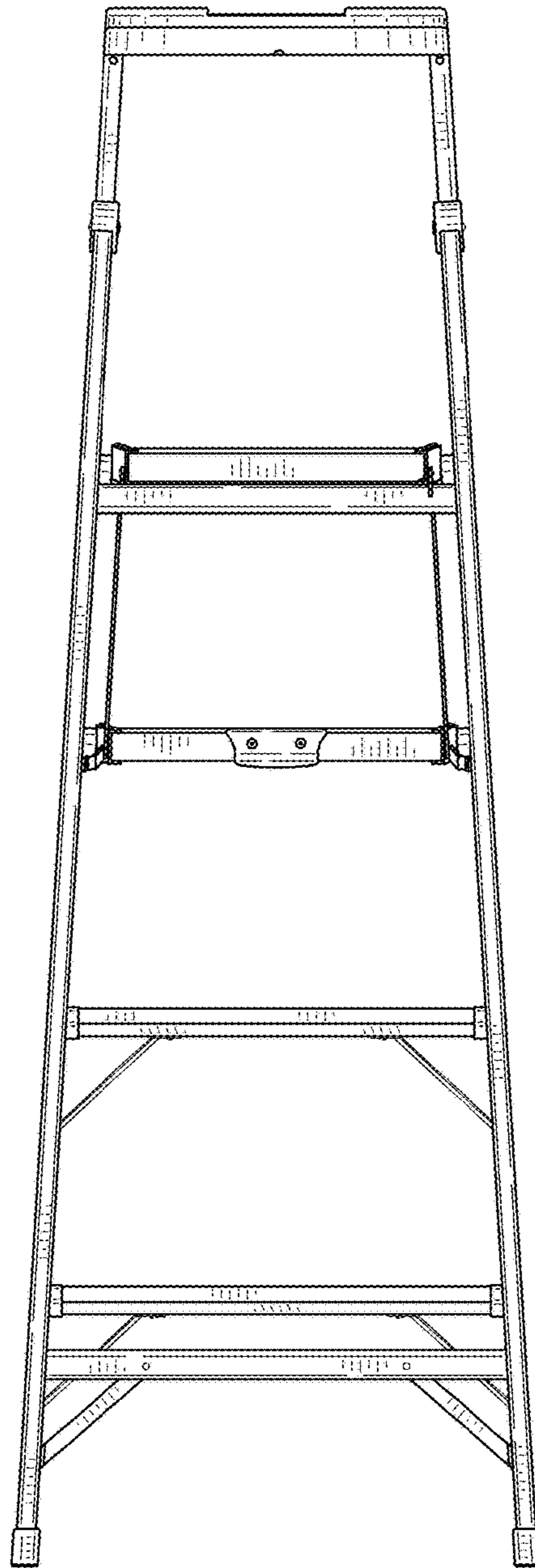


FIG. 3

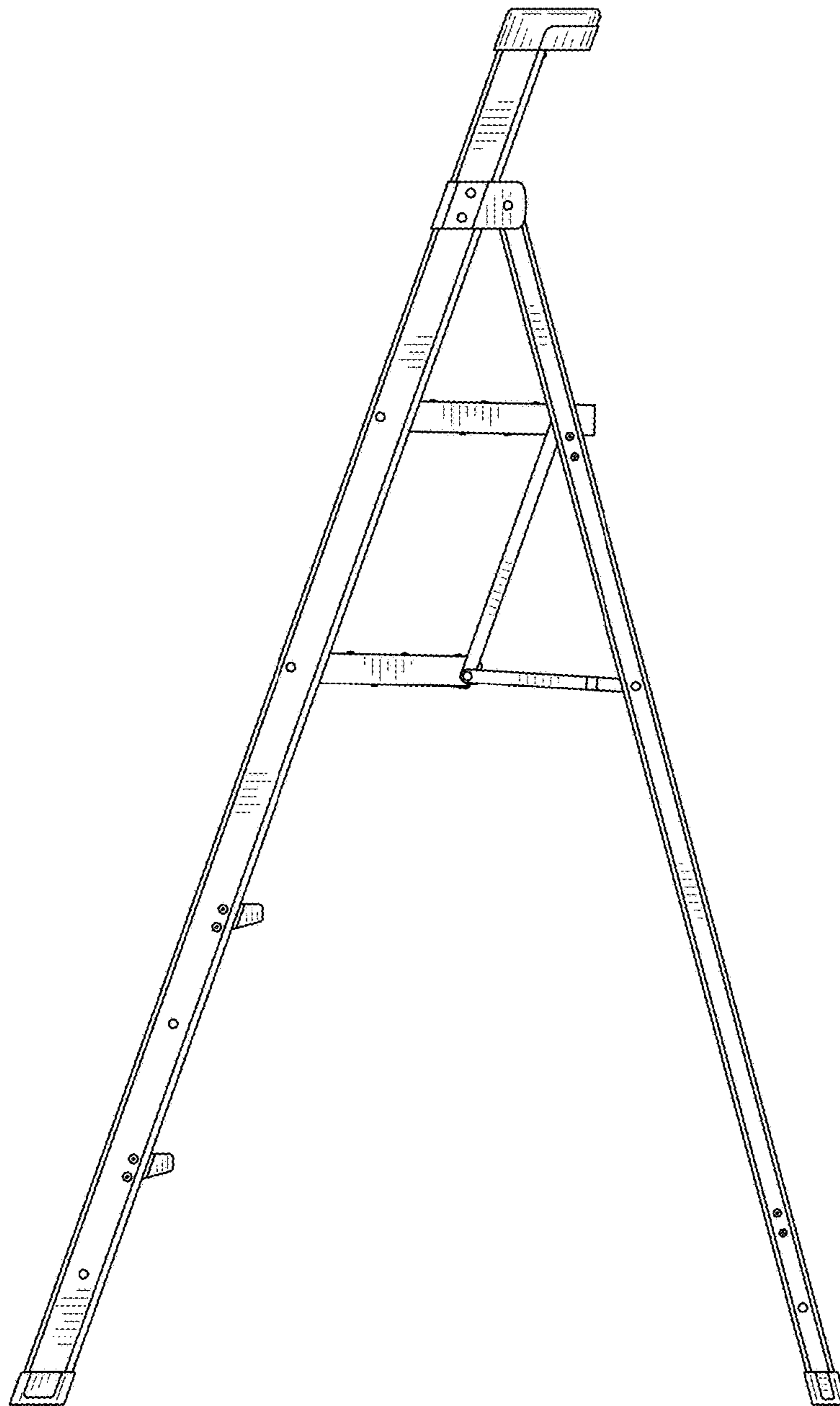


FIG. 4

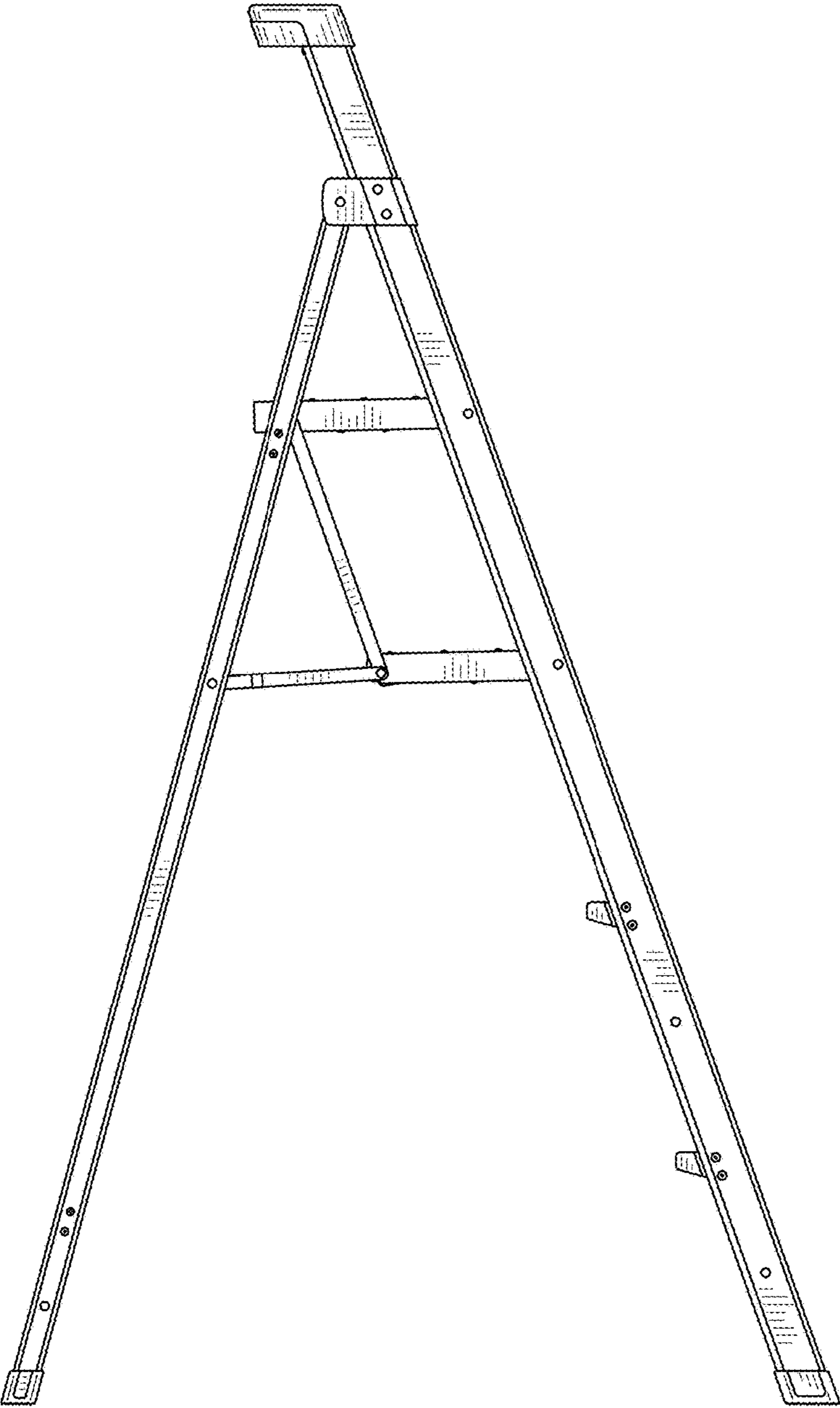


FIG. 5

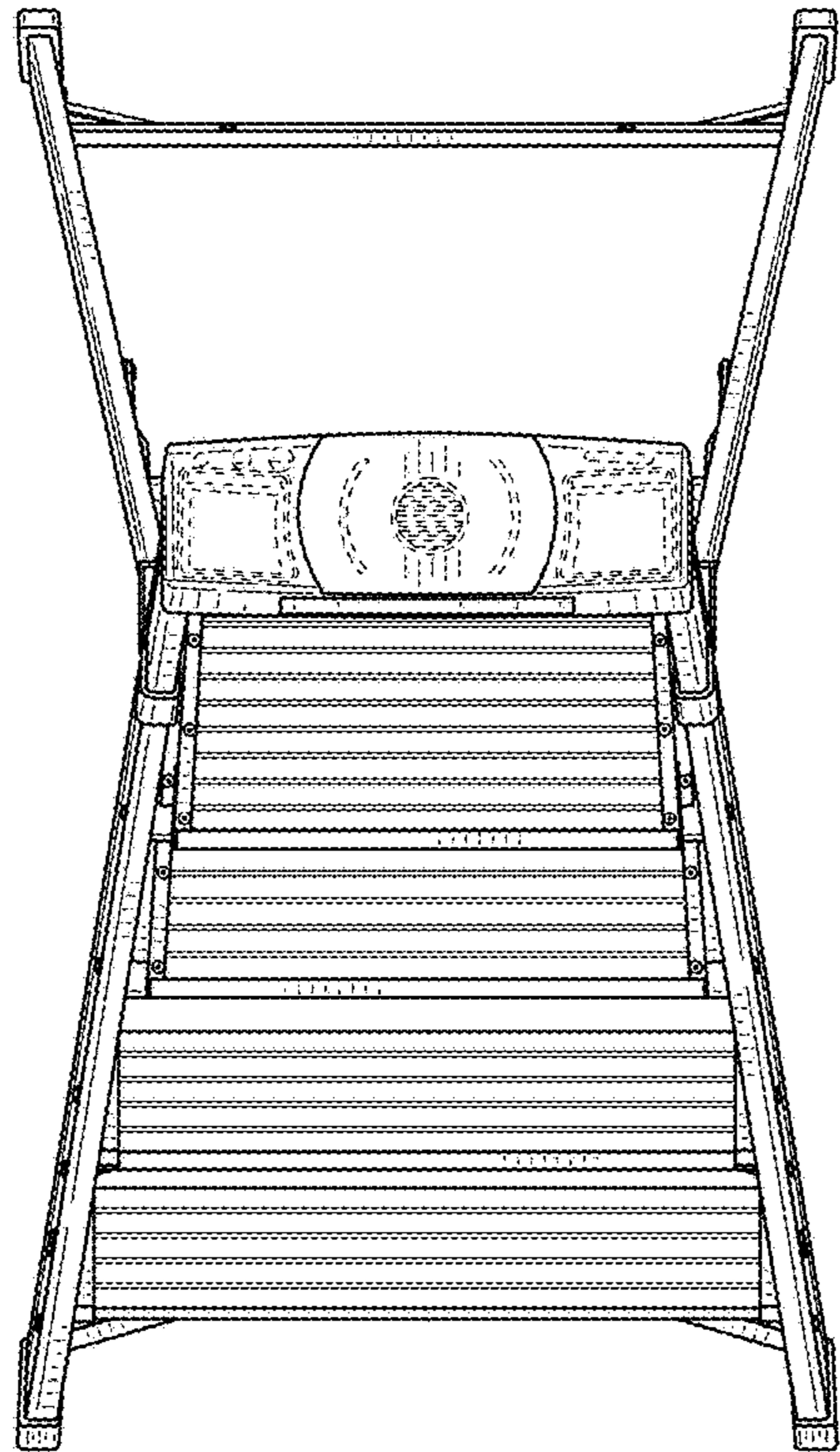


FIG. 6

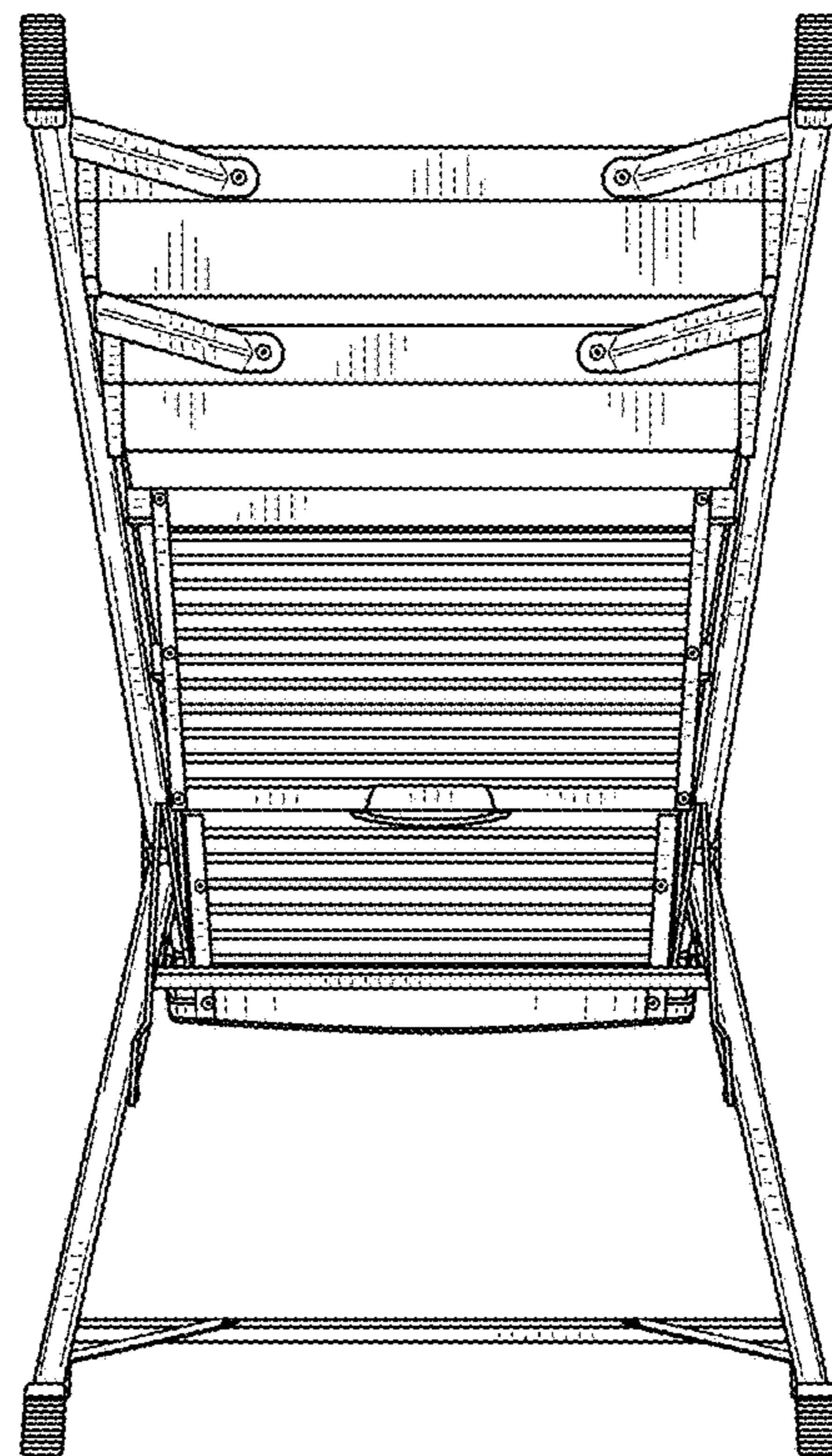


FIG. 7

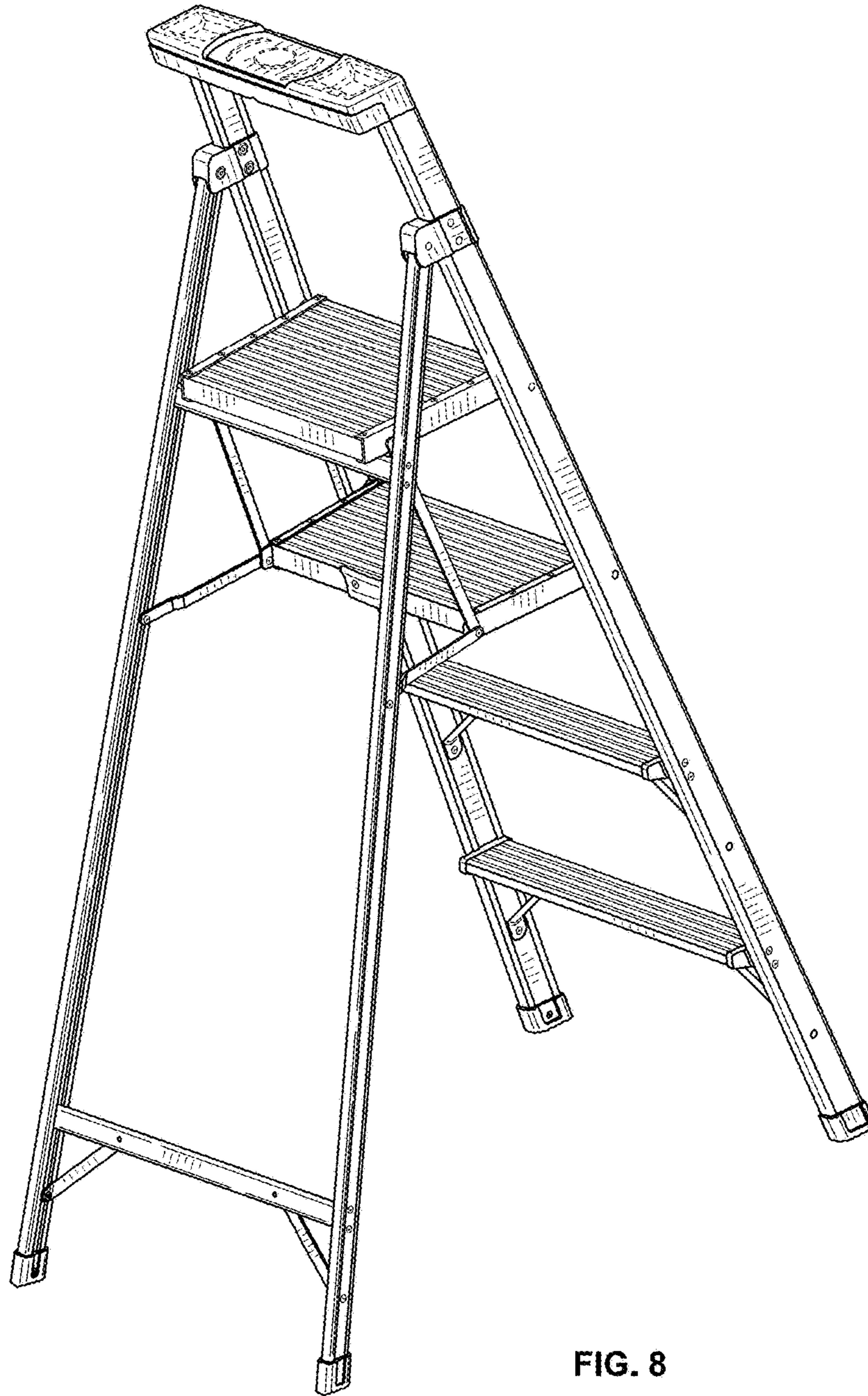


FIG. 8

UNITED STATES PATENT AND TRADEMARK OFFICE
CERTIFICATE OF CORRECTION

PATENT NO. : D840,055 S
APPLICATION NO. : 29/633324
DATED : February 5, 2019
INVENTOR(S) : Skubic et al.

Page 1 of 1

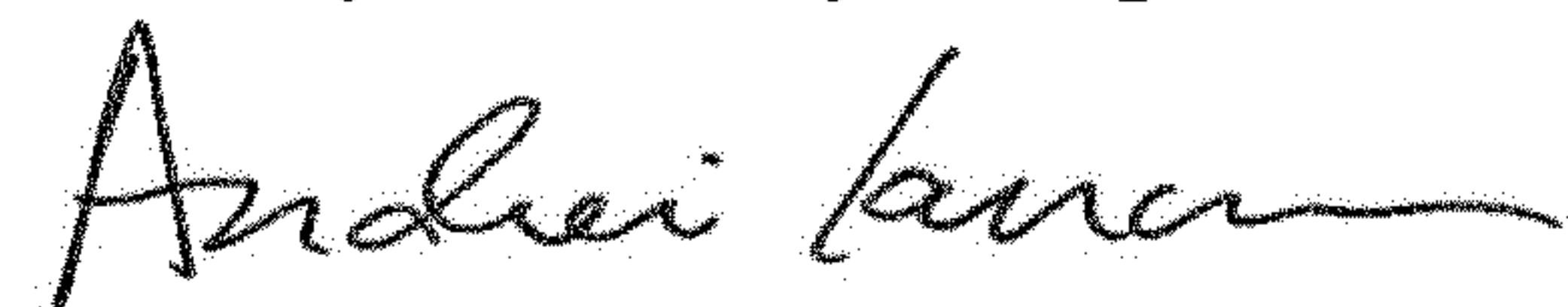
It is certified that error appears in the above-identified patent and that said Letters Patent is hereby corrected as shown below:

On the Title Page

On Page 2

Under item (56) References Cited – U.S. Patent Documents, delete “2014/1022458” and insert
--2014/0224585--

Signed and Sealed this
Twenty-third Day of April, 2019



Andrei Iancu
Director of the United States Patent and Trademark Office