



US00D840048S

(12) **United States Design Patent** (10) **Patent No.:** **US D840,048 S**
Barton et al. (45) **Date of Patent:** **** Feb. 5, 2019**

(54) **DIAGNOSTIC ANALYZER**

(71) Applicant: **Abbott Laboratories**, Abbott Park, IL (US)

(72) Inventors: **Christina A Barton**, Irving, TX (US); **Daniel Roger Nett**, Sun Prairie, WI (US); **Rachel Elizabeth Wallace**, Madison, WI (US); **Ami Marie Verhalen**, Sun Prairie, WI (US)

(73) Assignee: **ABBOTT LABORATORIES**, Abbott Park, IL (US)

(**) Term: **15 Years**

(21) Appl. No.: **29/626,032**

(22) Filed: **Nov. 14, 2017**

Related U.S. Application Data

(63) Continuation of application No. 29/549,330, filed on Dec. 21, 2015, now Pat. No. Des. 802,785, which is (Continued)

(51) **LOC (11) Cl.** **24-01**

(52) **U.S. Cl.**
USPC **D24/216**

(58) **Field of Classification Search**
USPC D24/107, 169, 185, 186, 216-219, D24/231-234; D10/81
(Continued)

(56) **References Cited**

U.S. PATENT DOCUMENTS

D319,307 S 8/1991 Sakagami et al.
D346,027 S 4/1994 Kobayashi
(Continued)

OTHER PUBLICATIONS

United States Patent and Trademark Office, "Restriction and/or Election Requirement," issued in connection with U.S. Appl. No. 29/505,590, dated Mar. 6, 2017, 32 pages.

(Continued)

Primary Examiner — Anhdao Doan

(74) *Attorney, Agent, or Firm* — McAndrews, Held & Malloy, Ltd.

(57) **CLAIM**

The ornamental design for a diagnostic analyzer, as shown and described.

DESCRIPTION

The file of this patent contains at least one drawing/photograph executed in color. Copies of this patent with color drawing(s)/photograph(s) will be provided by the Office upon request and payment of the necessary fee.

FIG. 1 is a front left perspective view of a first embodiment of a diagnostic analyzer showing our new design;

FIG. 2 is a front elevation view thereof;

FIG. 3 is a rear elevation view thereof;

FIG. 4 is a right side elevation view thereof;

FIG. 5 is a left side elevation view thereof;

FIG. 6 is a top plan view thereof;

FIG. 7 is a bottom plan view thereof;

FIG. 8 is a front left perspective view of a second embodiment of a diagnostic analyzer showing our new design;

FIG. 9 is a front elevation view thereof;

FIG. 10 is a rear elevation view thereof;

FIG. 11 is a right side elevation view thereof;

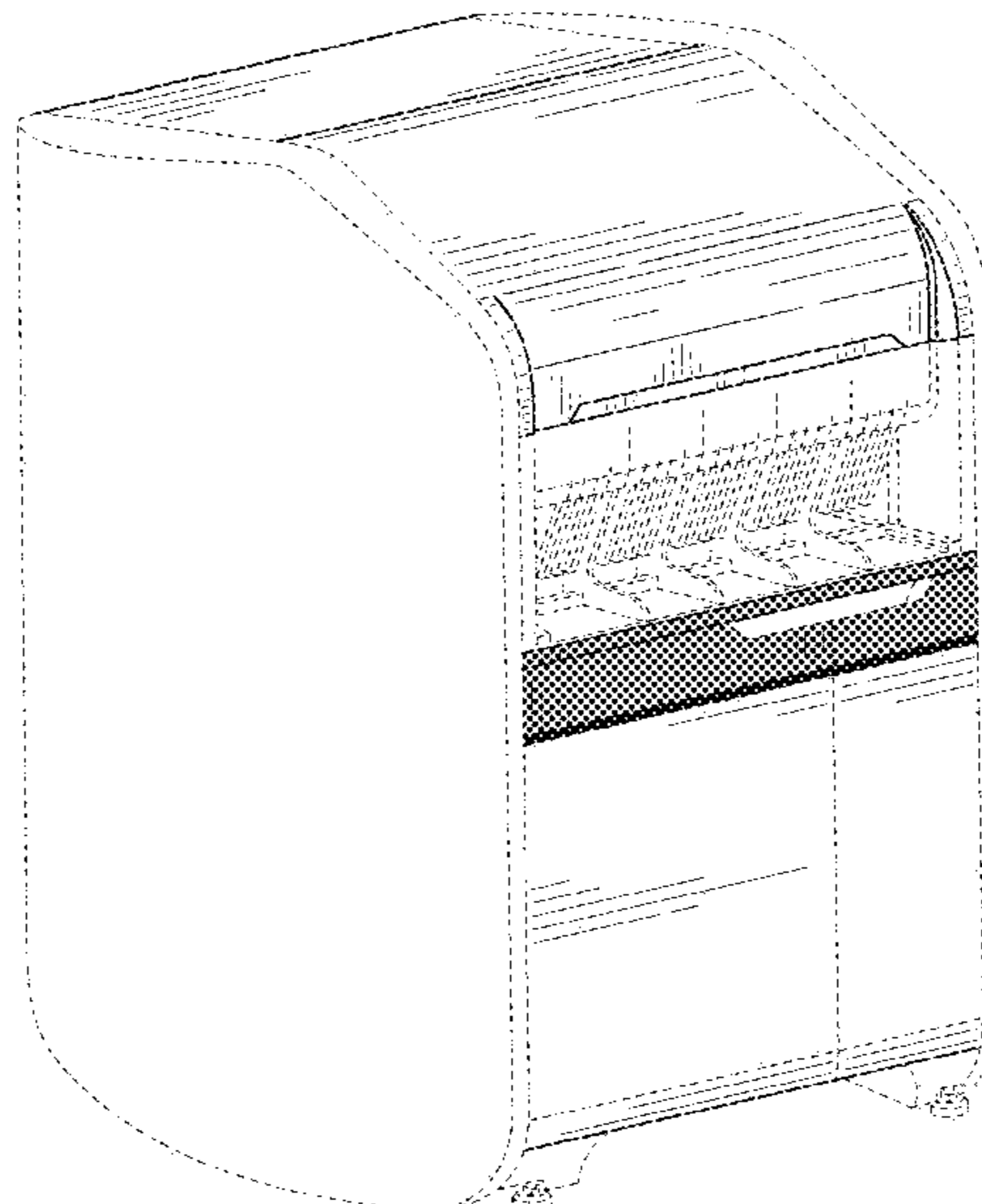
FIG. 12 is a left side elevation view thereof;

FIG. 13 is a top plan view thereof; and,

FIG. 14 is a bottom plan view thereof.

The portions of the diagnostic analyzer shown in broken lines form no part of the claimed design.

1 Claim, 14 Drawing Sheets
(4 of 14 Drawing Sheet(s) Filed in Color)



Related U.S. Application Data

a continuation-in-part of application No. 29/531,603, filed on Jun. 26, 2015, now Pat. No. Des. 824,536.

(58) **Field of Classification Search**

CPC G01N 2035/00306; G01N 2035/00326;
G01N 2035/00336; G01N 2030/027;
G01N 21/76

See application file for complete search history.

(56) **References Cited**

U.S. PATENT DOCUMENTS

D351,025 S	9/1994	Yamashita et al.	
D354,354 S	1/1995	Yamashita et al.	
6,521,183 B1	2/2003	Burri et al.	
D662,431 S	6/2012	Kimura	
D672,471 S	12/2012	Franco et al.	
D676,568 S	2/2013	Liu et al.	
D715,456 S	10/2014	Oonuma et al.	
D716,966 S	11/2014	Lizari Illarramendi	
D721,820 S	1/2015	Oonuma et al.	
D724,753 S	3/2015	Gutmann et al.	
D728,124 S	4/2015	Oonuma et al.	
D729,399 S	5/2015	Oonuma et al.	
D736,402 S	8/2015	Gutmann et al.	
D788,617 S *	6/2017	Barton	D24/216
D799,999 S *	10/2017	Barton	D24/216
D802,156 S *	11/2017	Barton	D24/216
2002/0169518 A1	11/2002	Luoma, II et al.	
2013/0034466 A1	2/2013	Wakamiya et al.	
2013/0288355 A1	10/2013	DeWitte et al.	
2015/0140577 A1	5/2015	Li et al.	
2015/0276566 A1	10/2015	Berntsen et al.	
2017/0269114 A1*	9/2017	Bryant	G01N 35/04

OTHER PUBLICATIONS

United States Patent and Trademark Office, "Notice of Allowance", issued in connection with U.S. Appl. No. 29/505,590, dated Apr. 18, 2017, 19 pages.

United States Patent and Trademark Office, "Notice of Allowance", issued in connection with U.S. Appl. No. 29/505,590, dated Jan. 18, 2017, 28 pages.

United States Patent and Trademark Office, "Restriction and/or Election Requirement," issued in connection with U.S. Appl. No. 29/505,590, dated Oct. 13, 2016, 27 pages.

Japanese Patent Office, "Notice of Reason for Rejection," issued in connection with Japanese Design Application No. 2016-1034, dated Sep. 6, 2016, 5 pages.

State Intellectual Property Office of China, "First Office Action," issued in connection with Chinese Patent Application No. 201530555269.1, dated Oct. 9, 2016, 3 pages.

Japanese Patent Office, "Notice of Reason for Rejection," issued in connection with Japanese Design Application No. 2016-22301, dated Nov. 8, 2016, 4 pages.

Notification of the Registration of the Community Designs, issued by the Office for Harmonization in the Internal Market, in connection with European Community Design Nos. 002930230-0001 through 002930230-0029, dated Mar. 7, 2016, 6 pages.

Notification of the Registration of the Community Designs, issued by the European Union Intellectual Property Office in connection with European Community Design Nos. 003003631-0001 through 003003631-0014, dated Apr. 28, 2016, 5 pages.

Notification of First Corrections, issued by the State Intellectual Property Office of the P.R. China, in connection with Chinese Patent Application No. 201530555269.1, dated Apr. 25, 2016, 4 pages.

Notice for Reasons for Rejection, English language, issued by the Intellectual Property Office of Japan, in connection with Japanese application No. 2015-28871, dated Jun. 14, 2016, 5 pages.

* cited by examiner

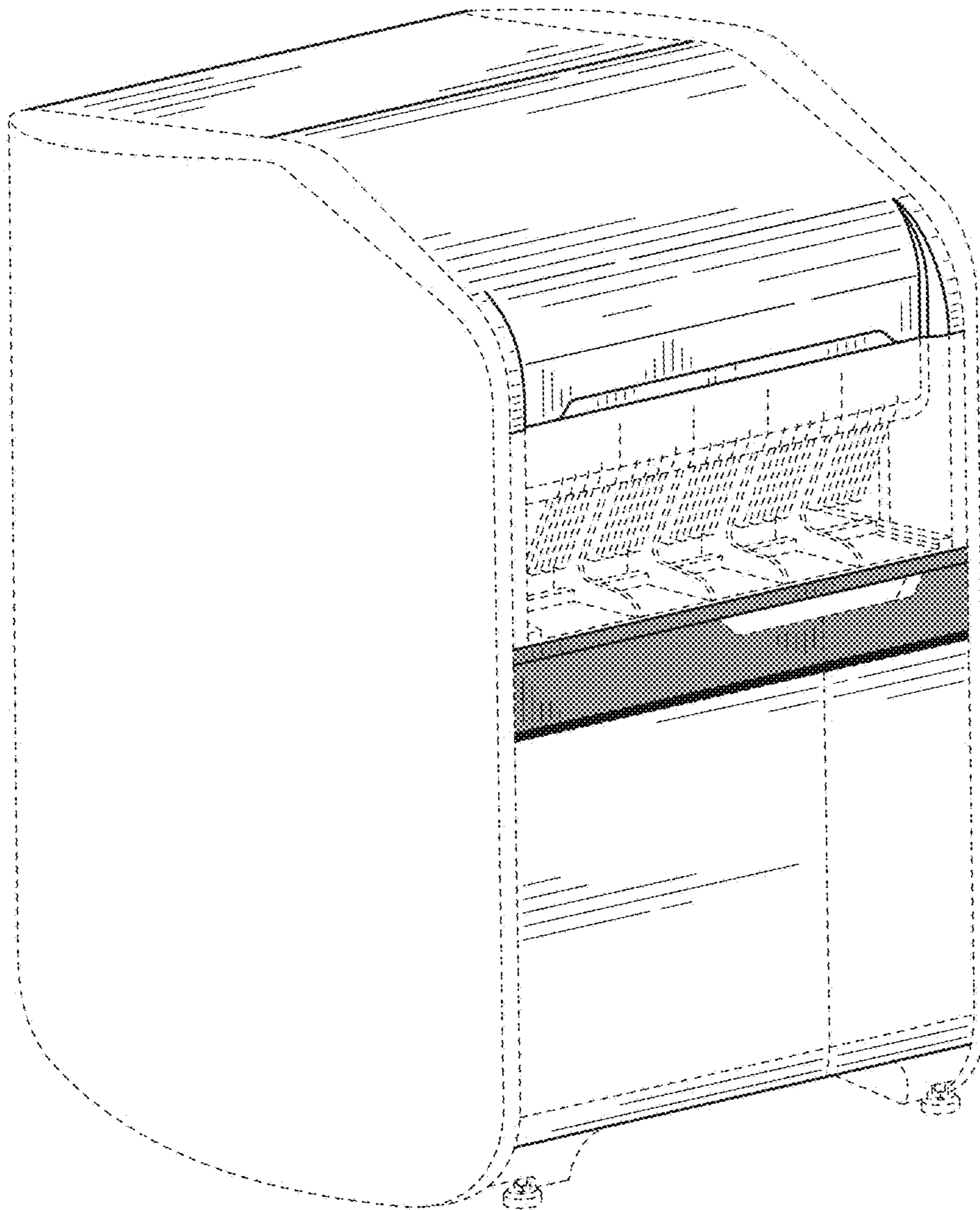


FIG. 1

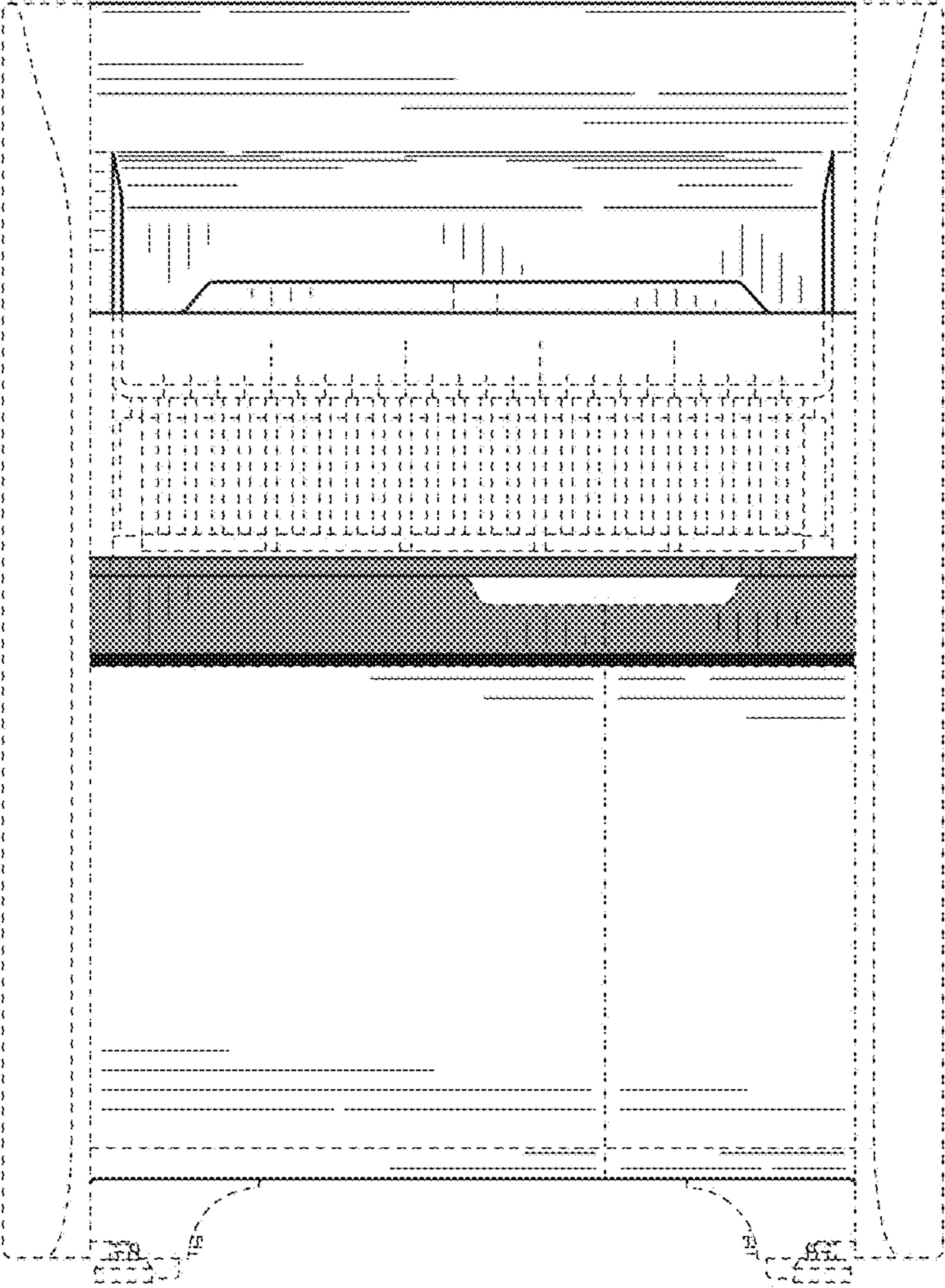


FIG. 2



FIG. 3

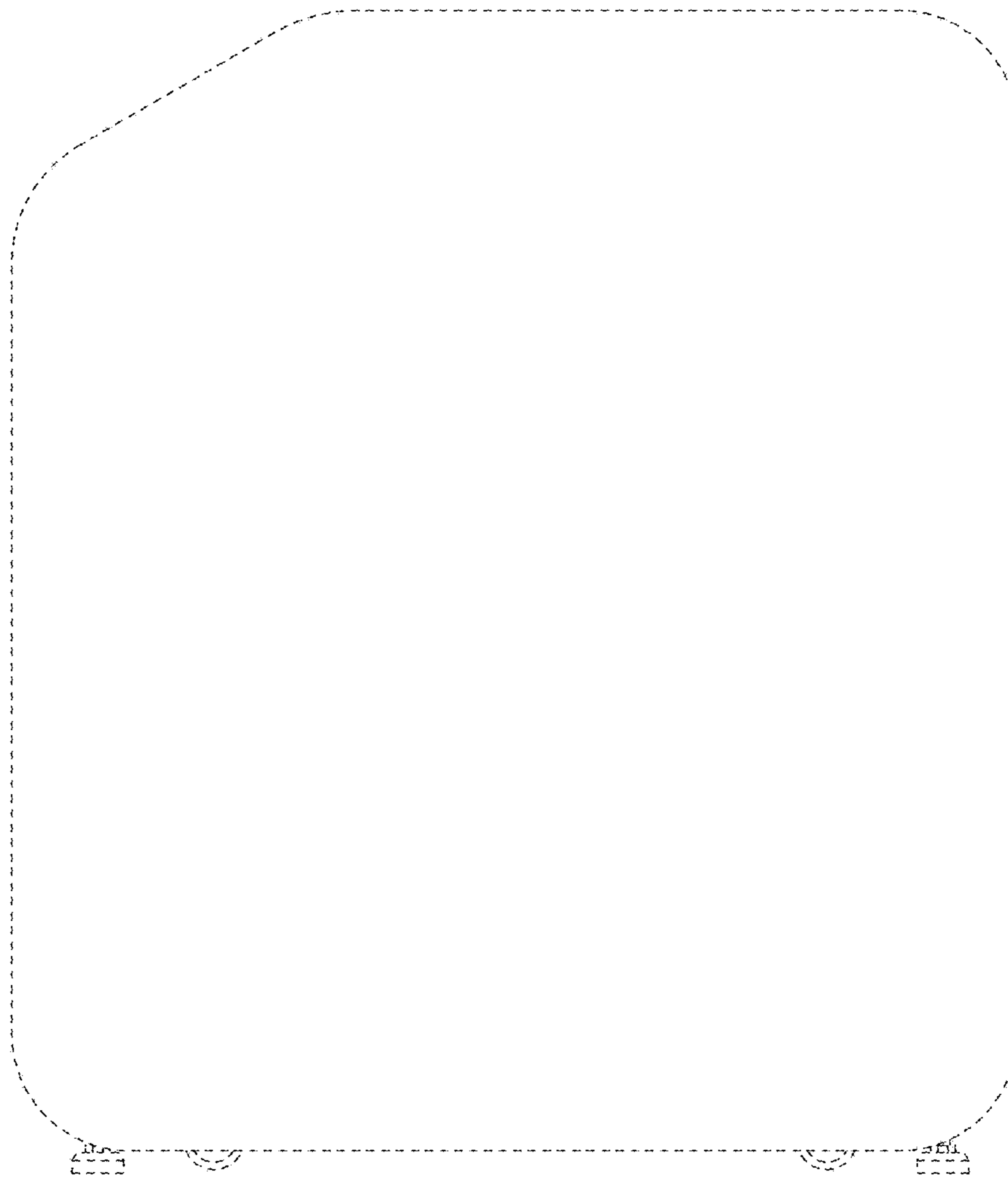


FIG. 4

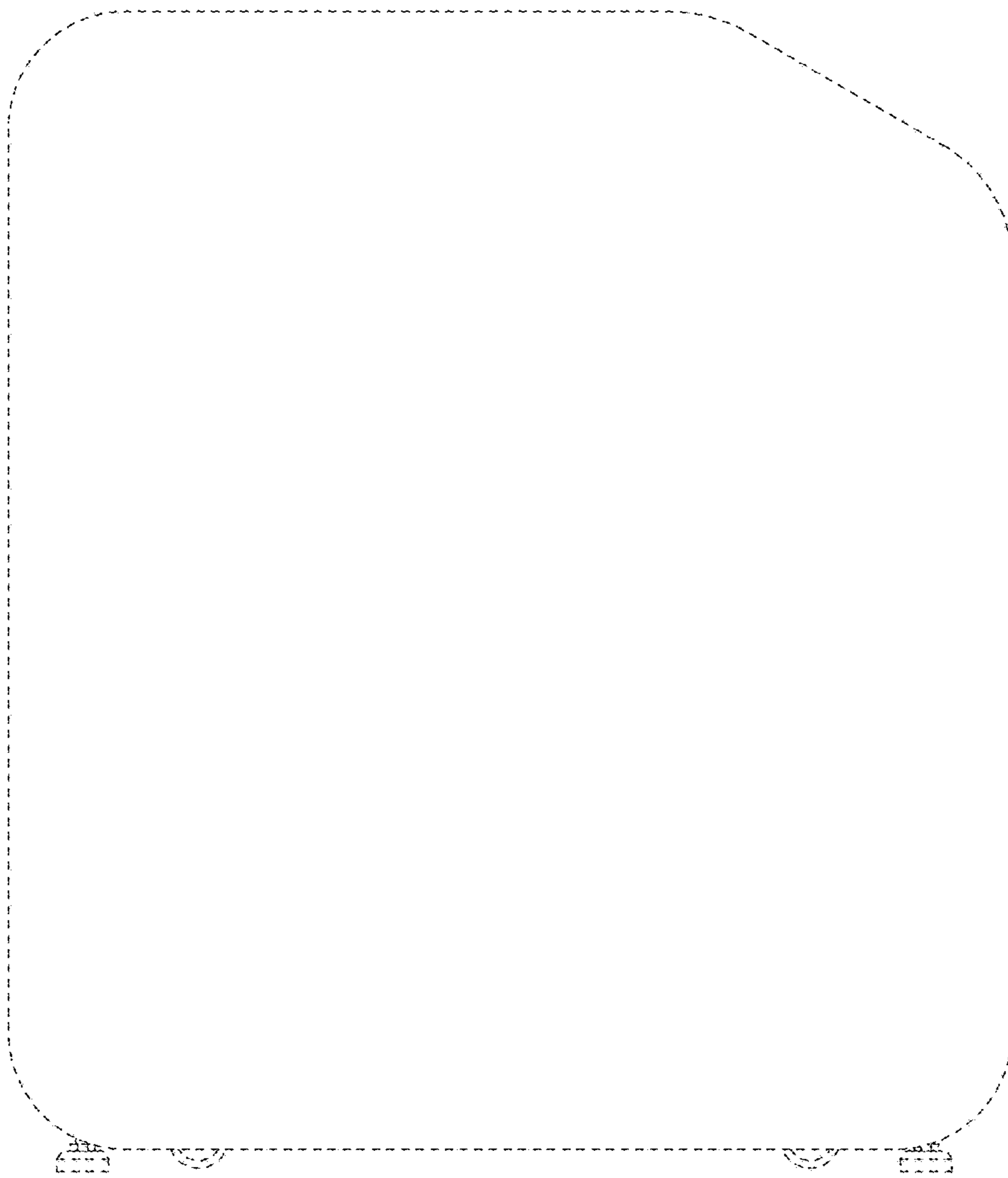


FIG. 5

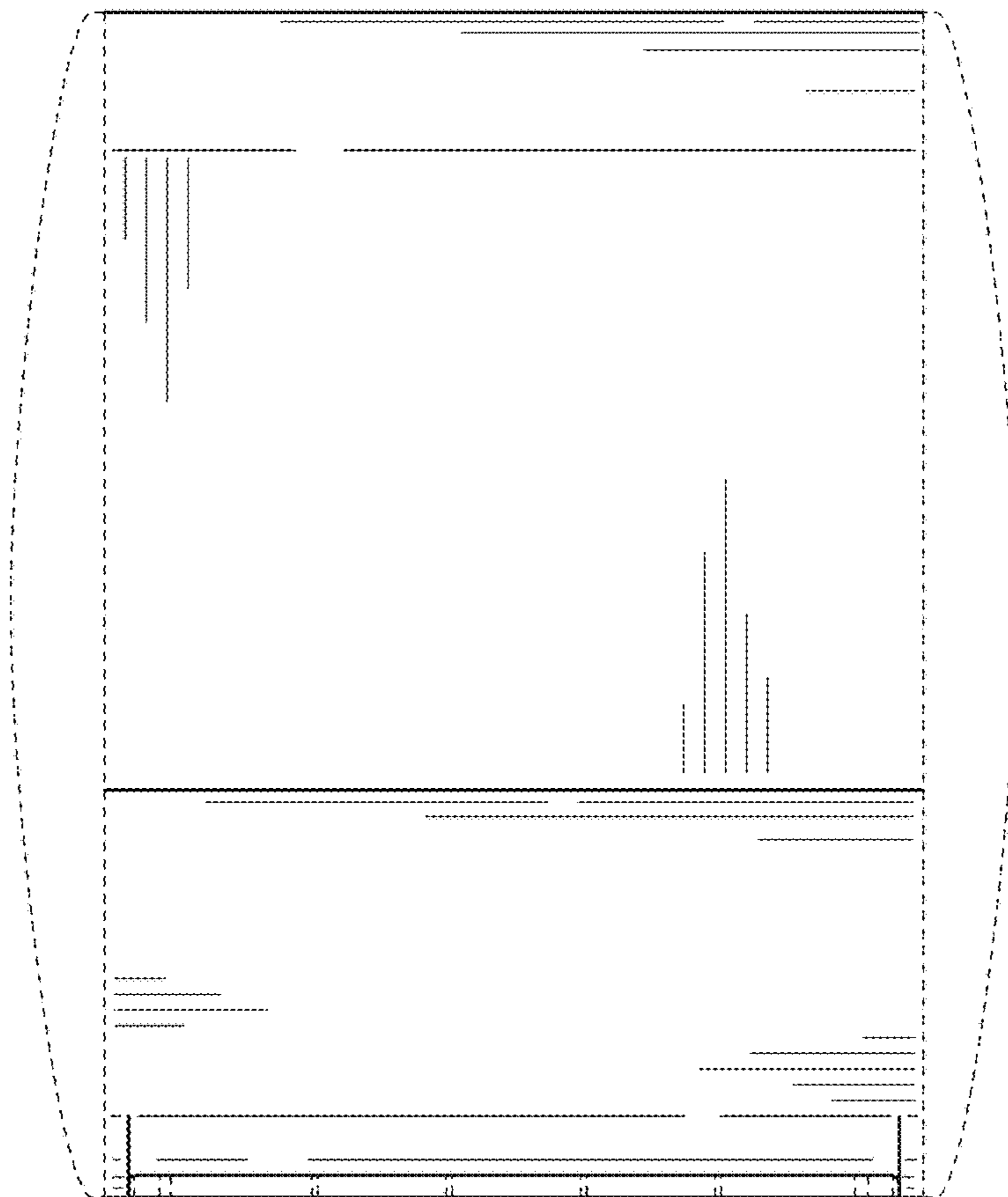


FIG. 6

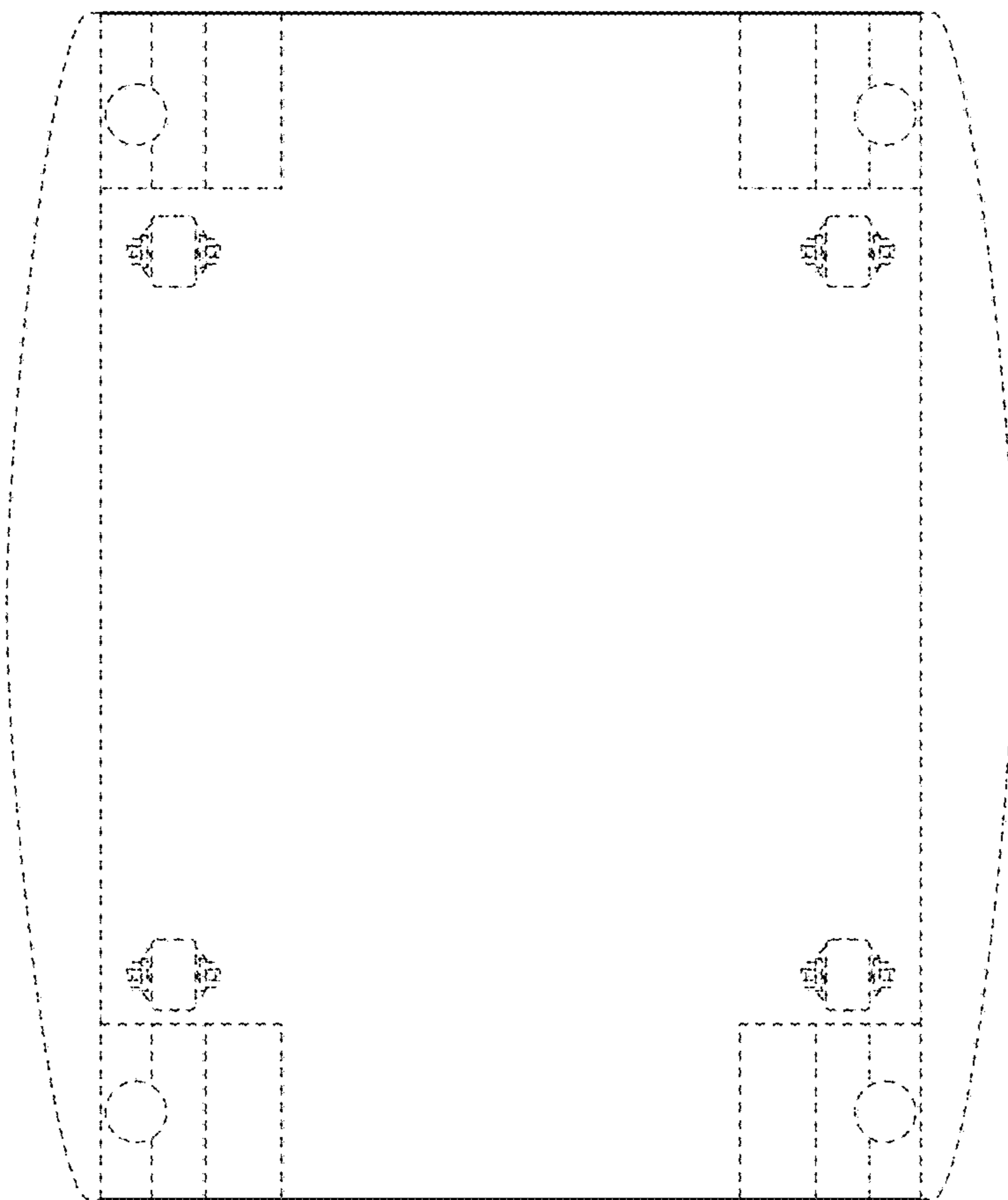


FIG. 7

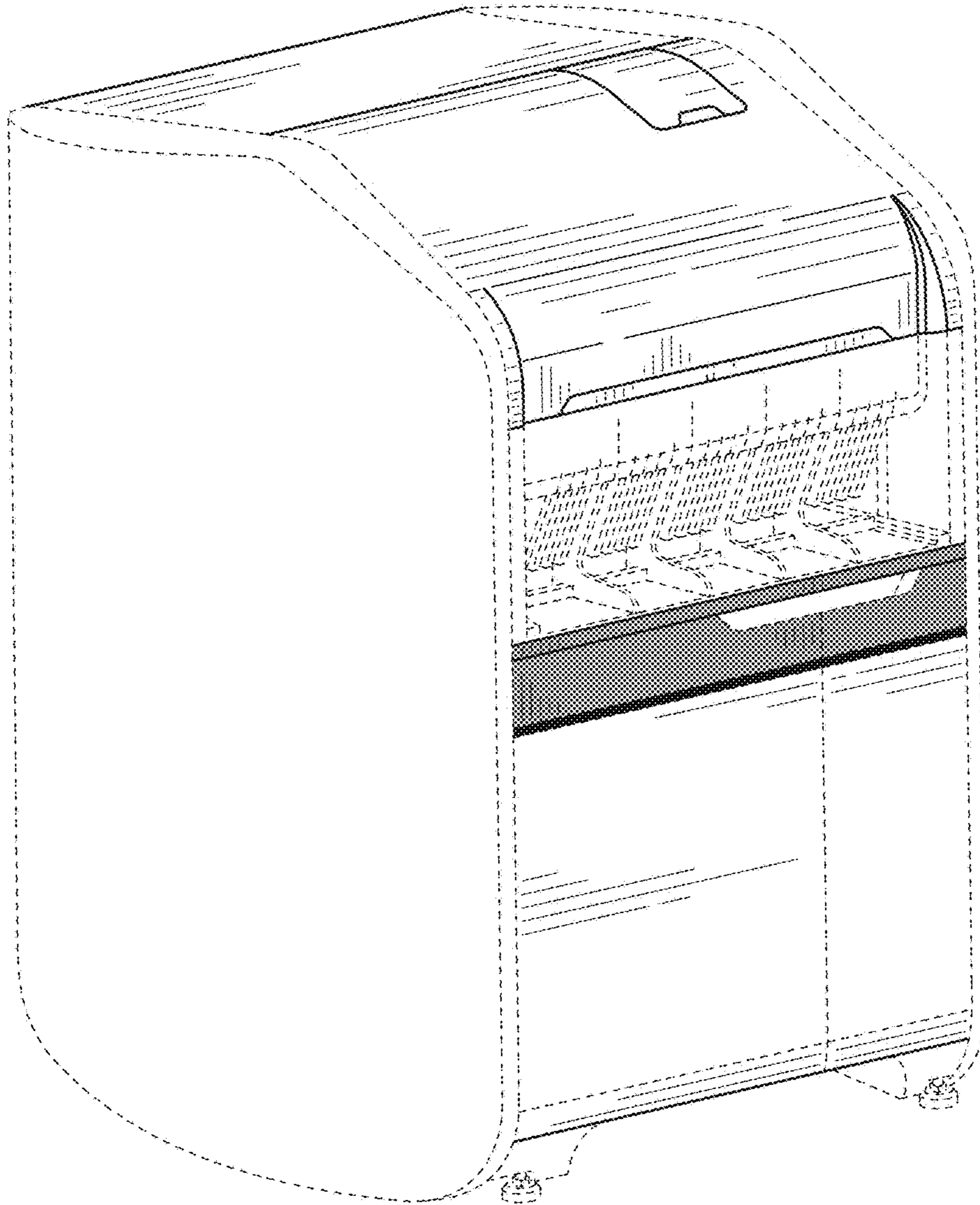


FIG. 8

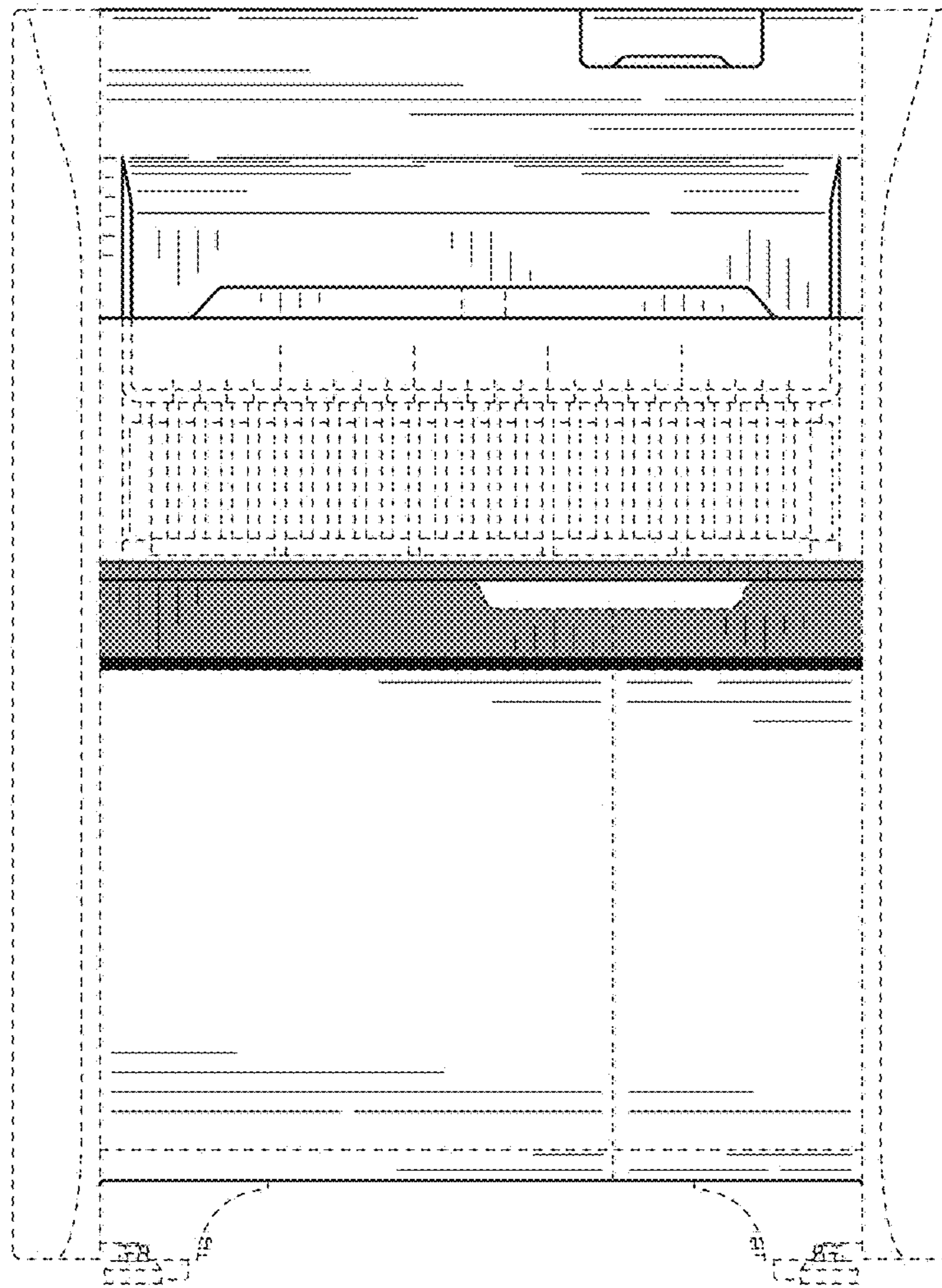


FIG. 9



FIG. 10

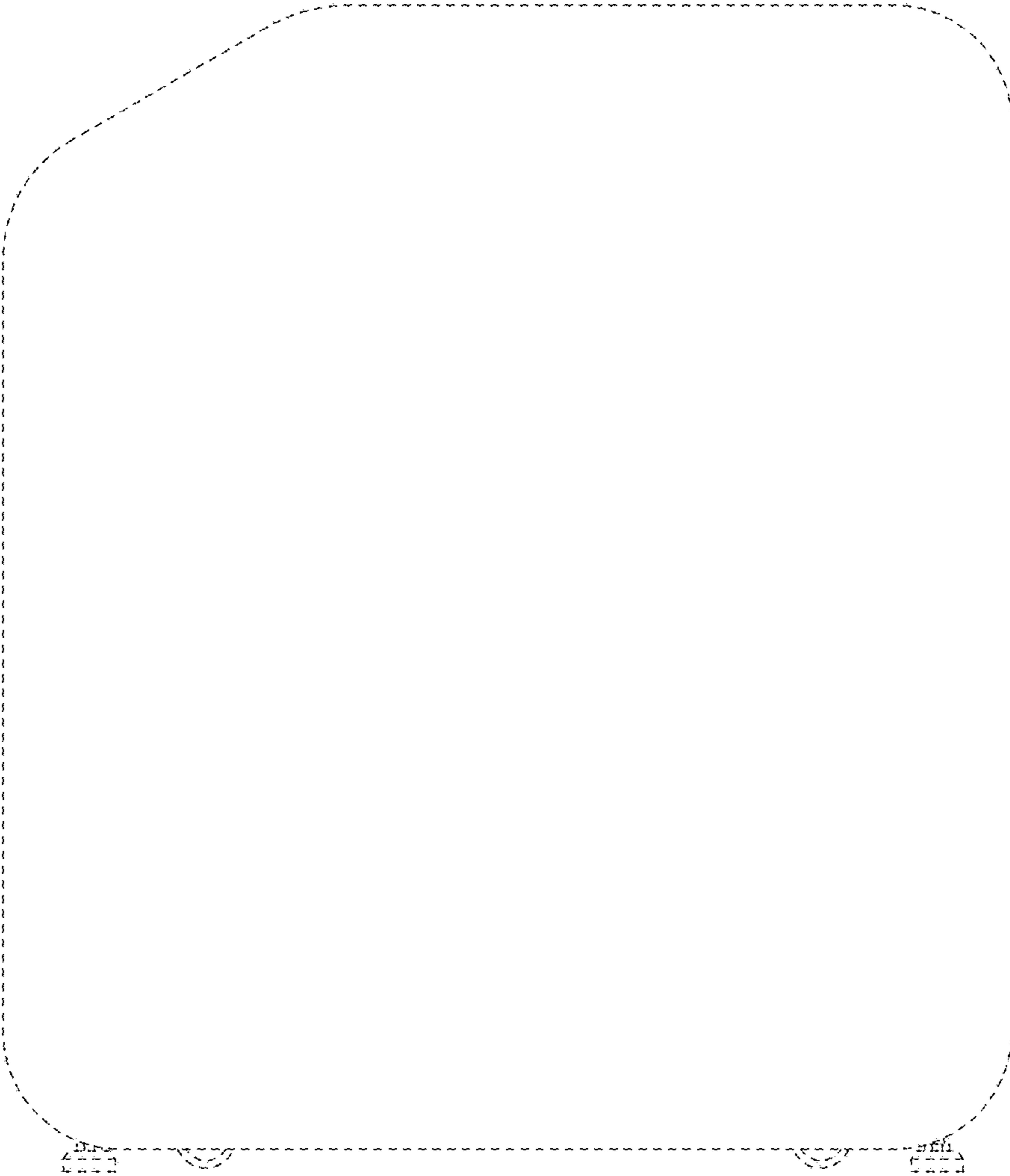


FIG. 11

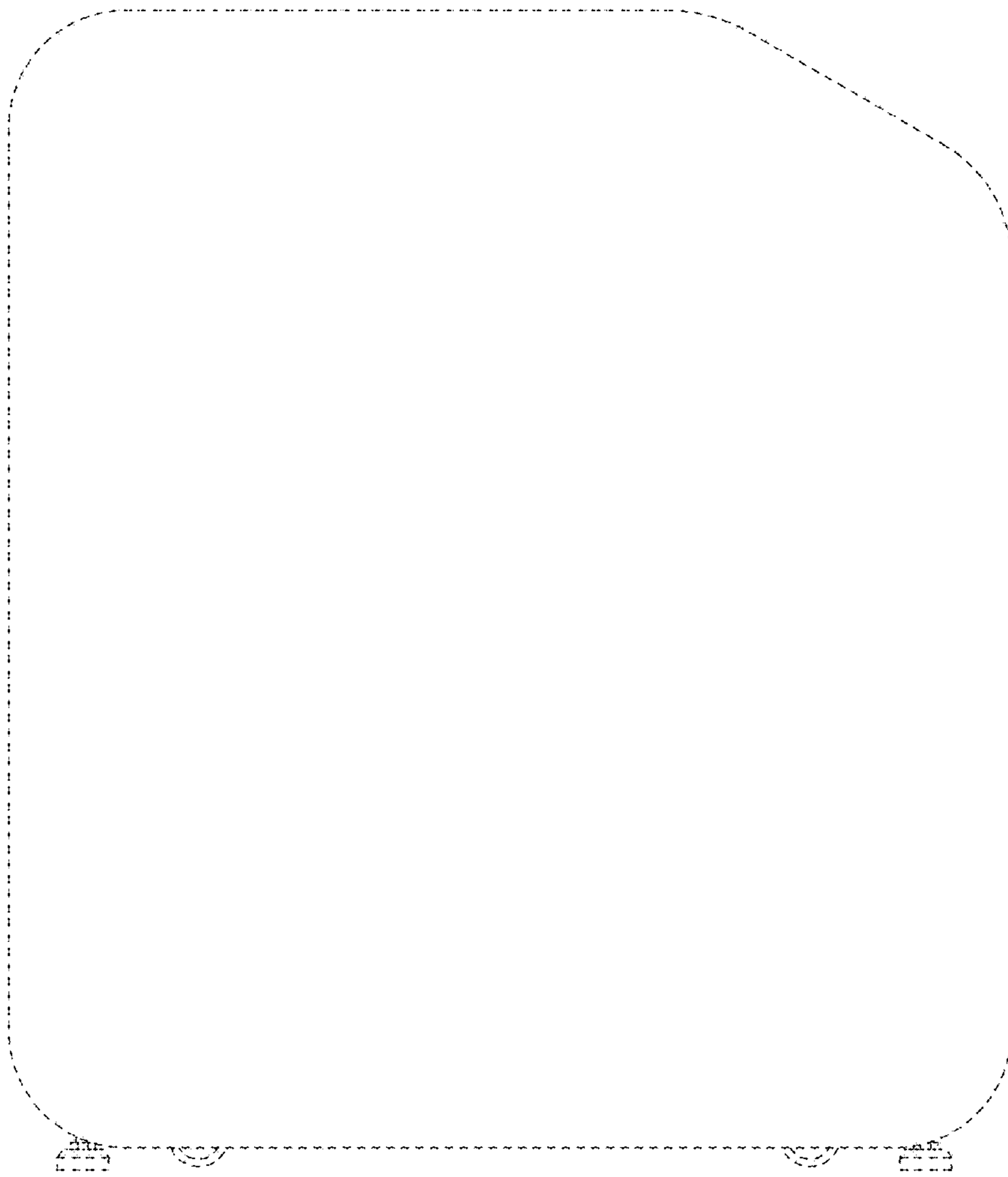


FIG. 12

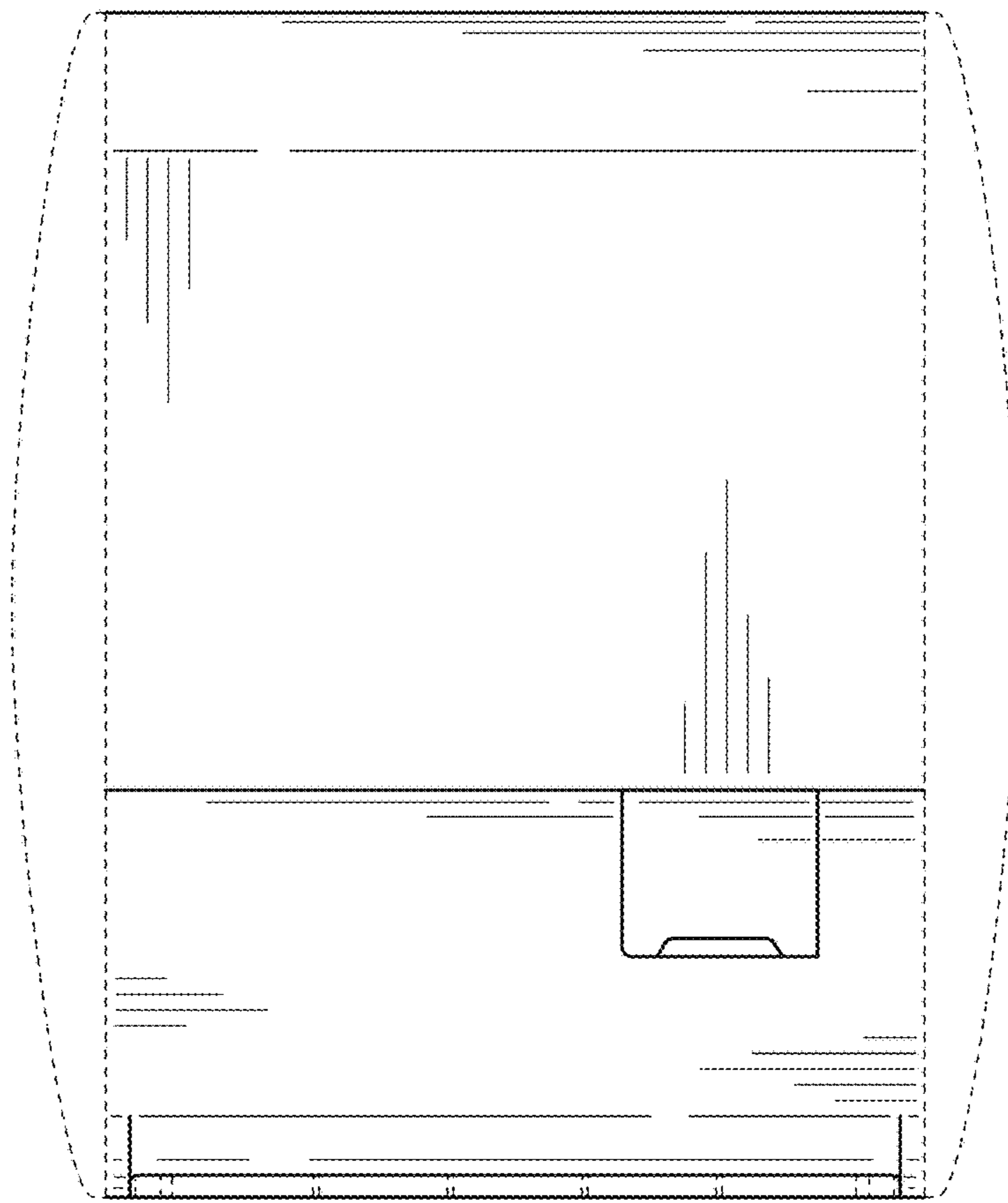


FIG. 13

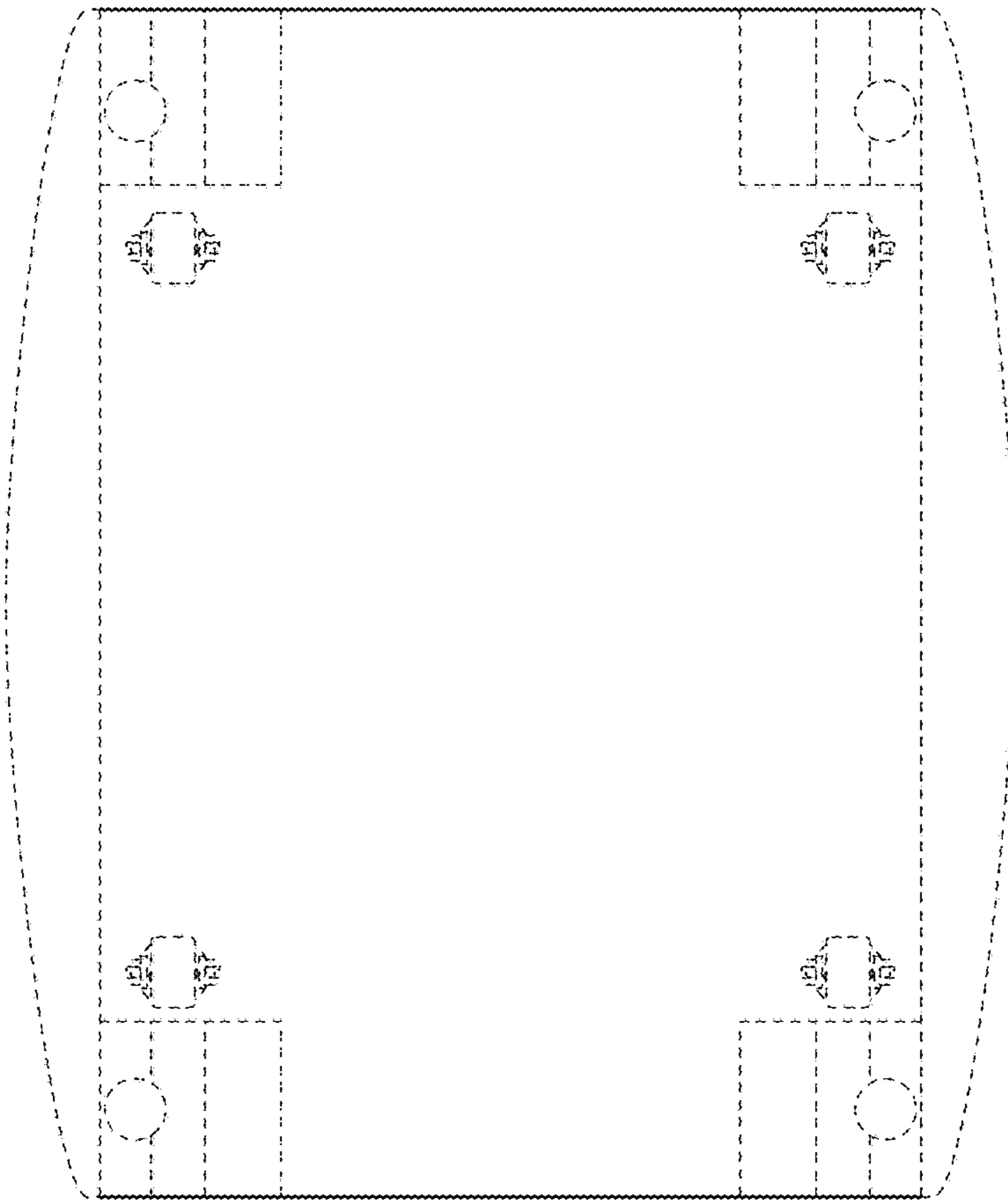


FIG. 14