

US00D840046S

(12) **United States Design Patent** (10) **Patent No.:** **US D840,046 S**  
**Guenst et al.** (45) **Date of Patent:** **\*\* Feb. 5, 2019**

(54) **GUM MASSAGER**  
(71) Applicant: **ToothShower, LLC**, Collegeville, PA (US)  
(72) Inventors: **Lisa Michelle Guenst**, Collegeville, PA (US); **Dan Shanahan**, Lansdale, PA (US); **Bobby Andrade**, Lansdale, PA (US); **Jeremy M. Fallis, Jr.**, Lansdale, PA (US); **Brian Orme**, Lansdale, PA (US)

3,481,329 A 12/1969 Warren, Jr.  
3,489,141 A 1/1970 Warren, Jr.  
3,504,666 A 4/1970 Vireno  
3,516,402 A 6/1970 Toth  
3,527,218 A 9/1970 Westine  
3,669,101 A 6/1972 Kleiner  
3,731,675 A 5/1973 Kelly

(Continued)

FOREIGN PATENT DOCUMENTS

FR 2277567 A1 2/1976

OTHER PUBLICATIONS

Kickstarter, "Toothshower: Complete Oral Care Solution . . .", May 3, 2018. <https://www.kickstarter.com/projects/toothshower/toothshower-complete-oral-care-solution-for-the-sh>. Shown on p. 1. (Year: 2018).\*

*Primary Examiner* — Cynthia Ramirez  
*Assistant Examiner* — Michael A Maharajh  
(74) *Attorney, Agent, or Firm* — Workman Nydegger

(73) Assignee: **TOOTHSHOWER, LLC**, Collegeville, PA (US)

(\*\*) Term: **15 Years**

(21) Appl. No.: **29/603,672**

(22) Filed: **May 11, 2017**

(51) **LOC (11) Cl.** ..... **28-03**

(52) **U.S. Cl.**  
USPC ..... **D24/215**

(58) **Field of Classification Search**  
USPC ..... 601/15, 18, 19, 27, 28, 29, 30, 31, 32, 601/46, 47, 48, 52, 72, 99, 112, 113, 118, 601/135, 137, DIG. 12, DIG. 14, DIG. 15, 601/DIG. 16, DIG. 17; D24/200, 211, D24/212, 213, 214, 215; D30/160; 600/38; D4/104, 105  
CPC ..... A61H 13/00; A61H 7/003; A46B 9/045  
See application file for complete search history.

(57) **CLAIM**

The ornamental design for a gum massager, as shown and described.

**DESCRIPTION**

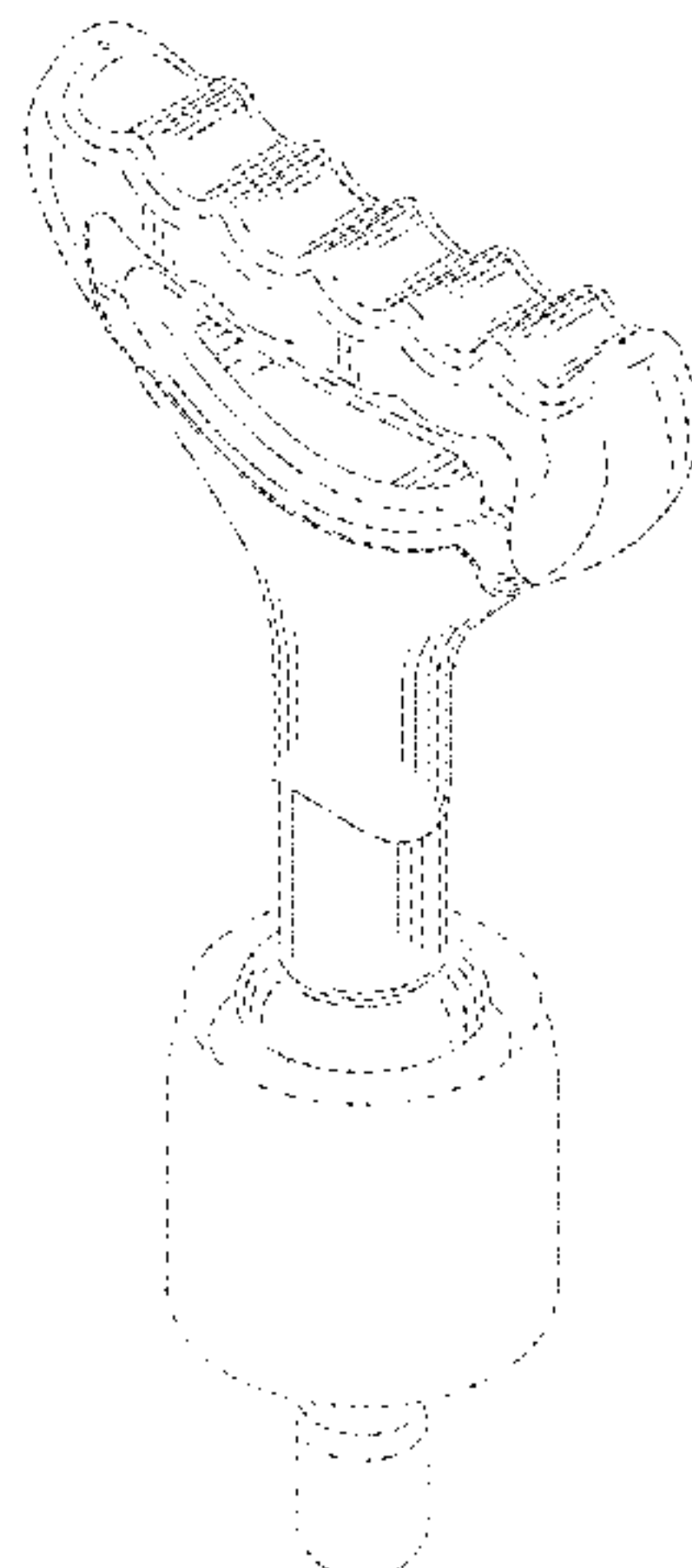
FIG. 1 is a top front perspective view of the gum massager showing our new design;  
FIG. 2 is a front elevation view, with the rear elevation view being a mirror image thereof;  
FIG. 3 is a right elevation view thereof, with the left elevation view being a mirror image thereof;  
FIG. 4 is a top plan view thereof; and,  
FIG. 5 is a bottom plan view thereof.  
The dash-dash broken lines showing environment in the drawings are included for illustrative purposes only and form no part of the claimed design. The dot-dash-dot broken lines shown in the drawings define the boundaries of the claim and form no part thereof.

(56) **References Cited**

U.S. PATENT DOCUMENTS

683,075 A 9/1901 Schneider  
803,475 A 10/1905 Dennis  
1,500,107 A 6/1923 Chandler  
2,672,143 A 3/1954 Gold et al.  
2,673,143 A 3/1954 Du Fresne et al.  
D179,441 S \* 12/1956 Clemens ..... D4/104  
3,379,192 A 4/1968 Warren, Jr.

**1 Claim, 4 Drawing Sheets**



(56)

**References Cited**

U.S. PATENT DOCUMENTS

4,106,501	A	8/1978	Ozbey et al.	
4,164,940	A	8/1979	Quinby	
4,299,208	A *	11/1981	Blanc .....	A61H 13/00 601/141
D293,472	S *	12/1987	Chrones .....	D24/211
4,865,021	A	9/1989	Siderman	
D313,317	S *	1/1991	Brunner .....	D4/103
5,104,315	A	4/1992	McKinley	
D332,177	S *	1/1993	Linzey .....	D24/200
D346,446	S *	4/1994	Linzey .....	D24/200
D351,658	S *	10/1994	Beckman .....	D24/133
5,365,624	A	11/1994	Berns	
D376,853	S *	12/1996	Hsia .....	D24/214
D383,307	S *	9/1997	Klein .....	D24/194
D423,787	S *	5/2000	Musciano .....	D4/108
6,893,259	B1	5/2005	Reizenon	
8,684,956	B2	4/2014	McDonough et al.	
D728,118	S *	4/2015	Welt .....	D24/215
D755,985	S *	5/2016	Porat .....	D24/215

\* cited by examiner

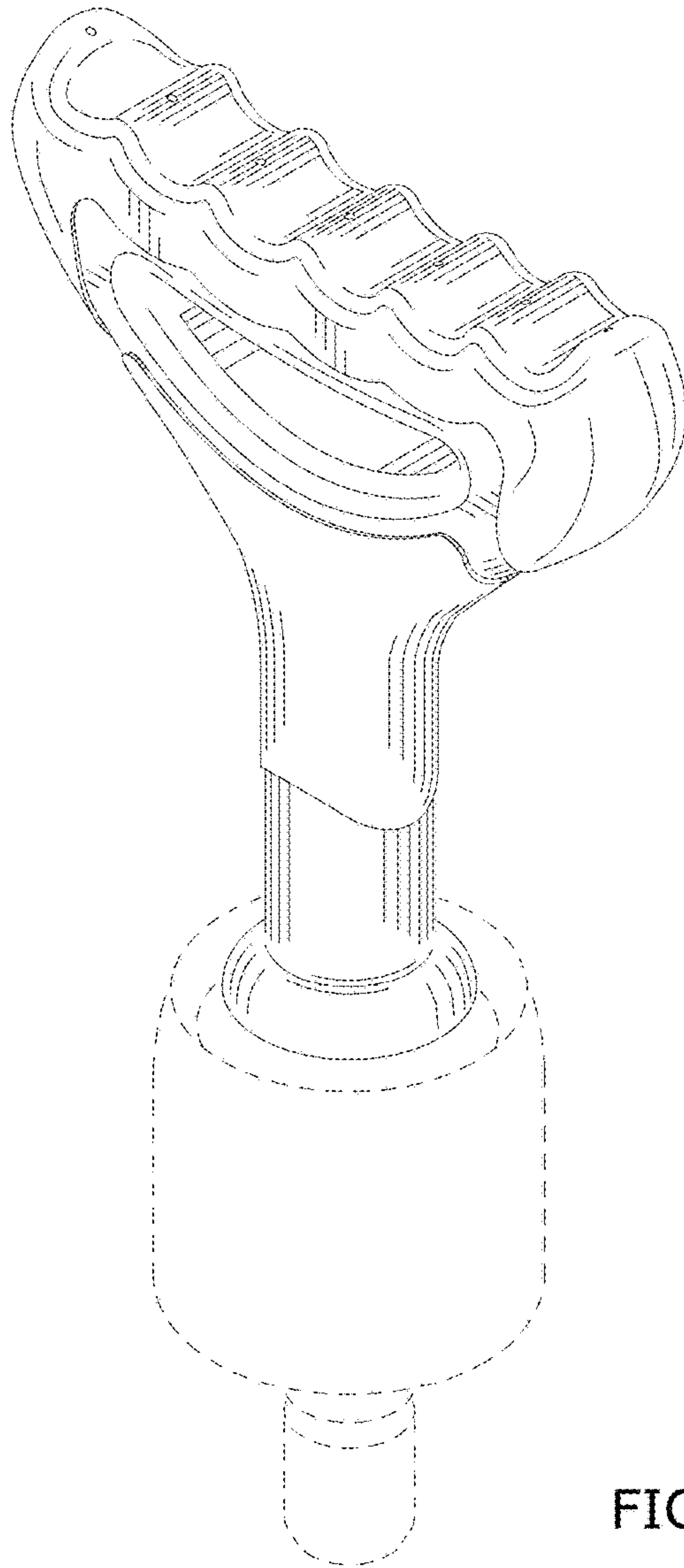
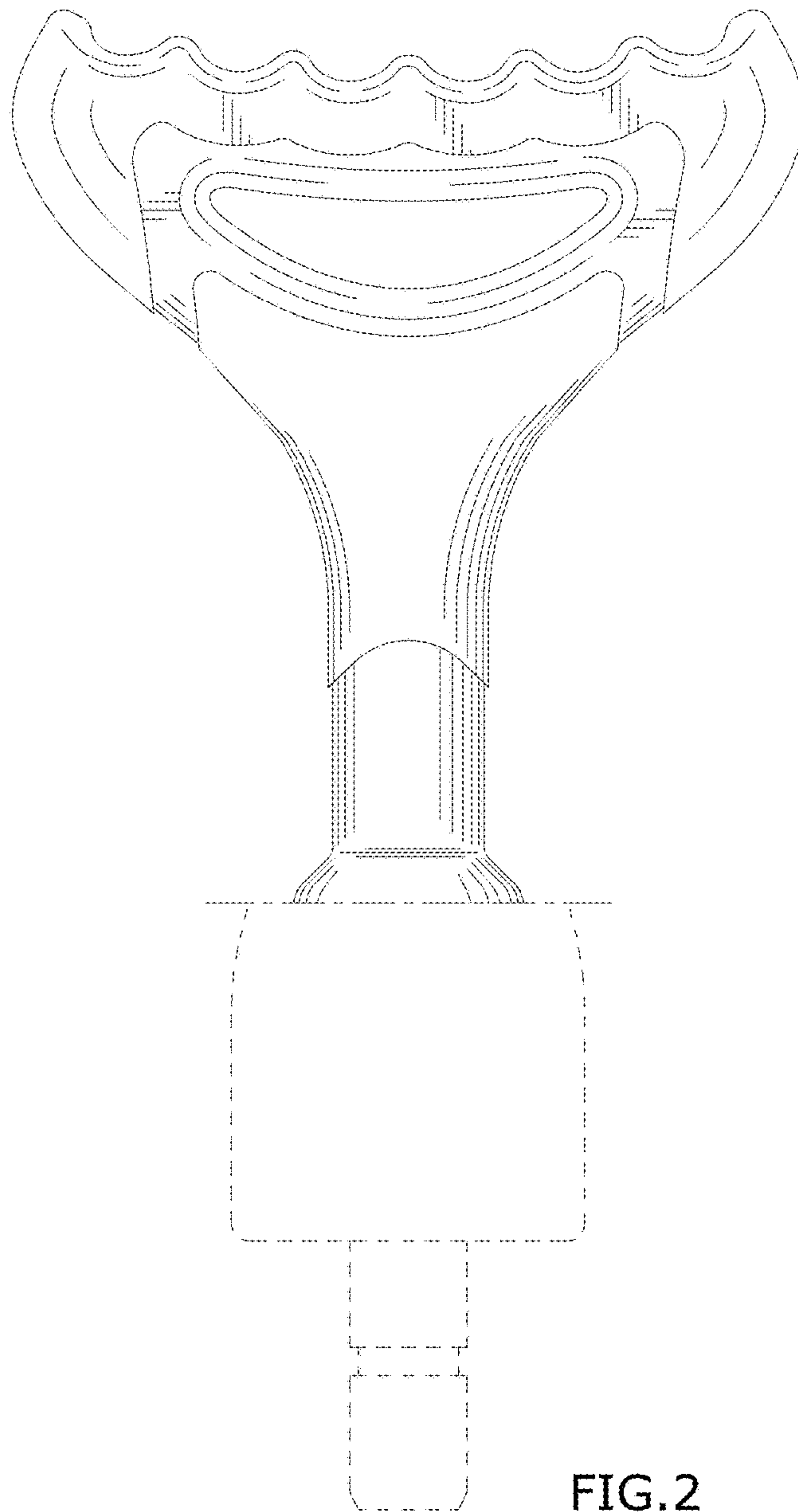


FIG. 1



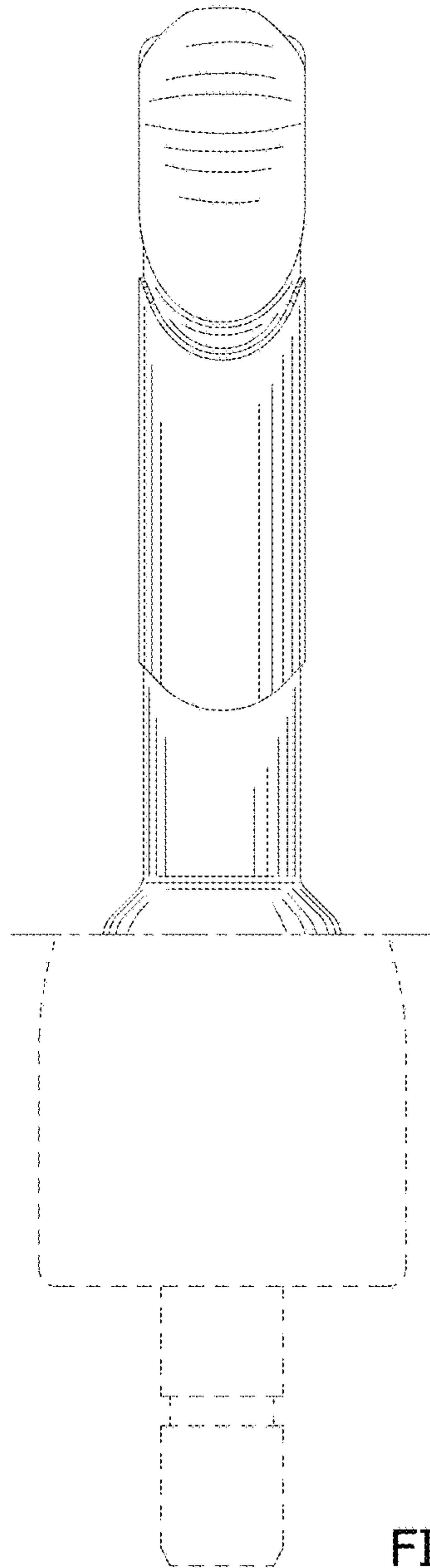


FIG.3

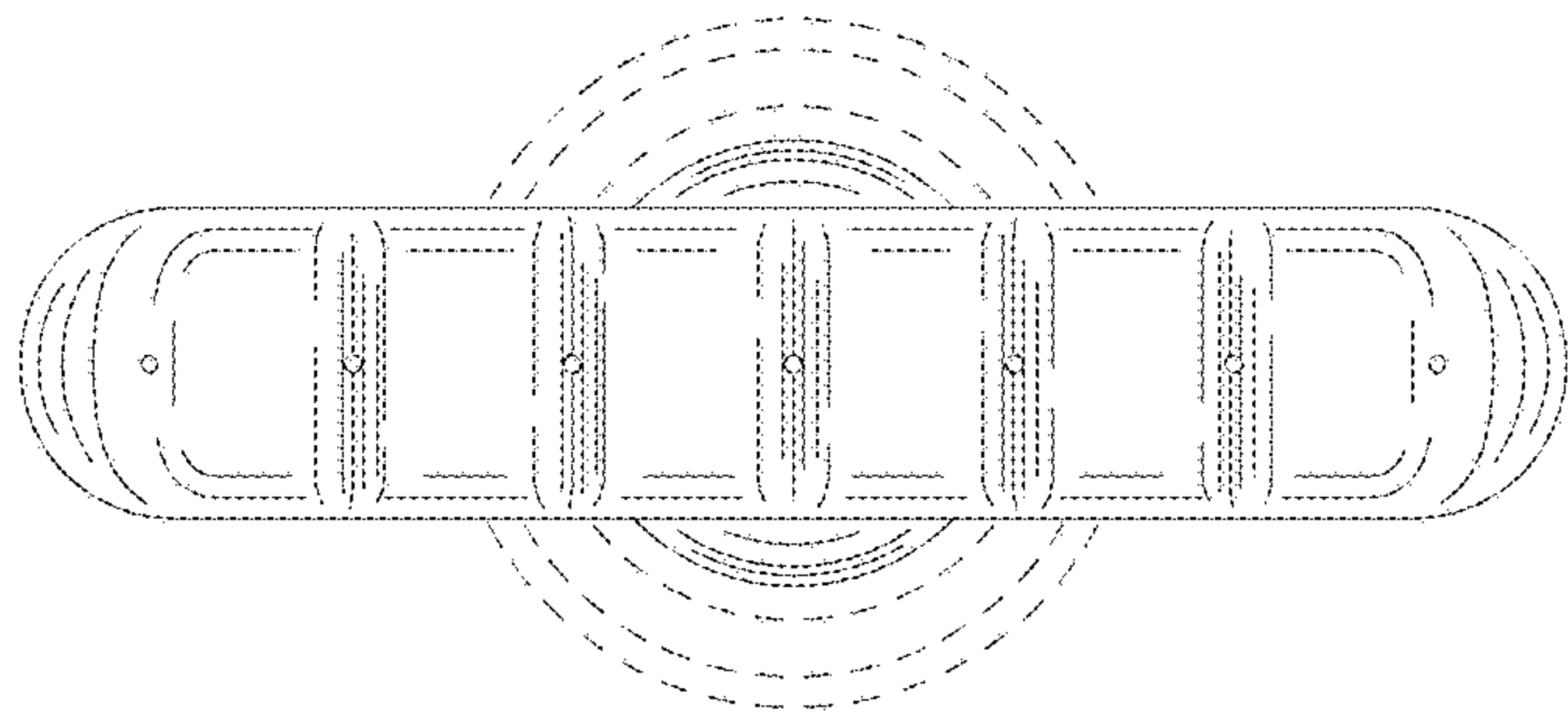


FIG. 4

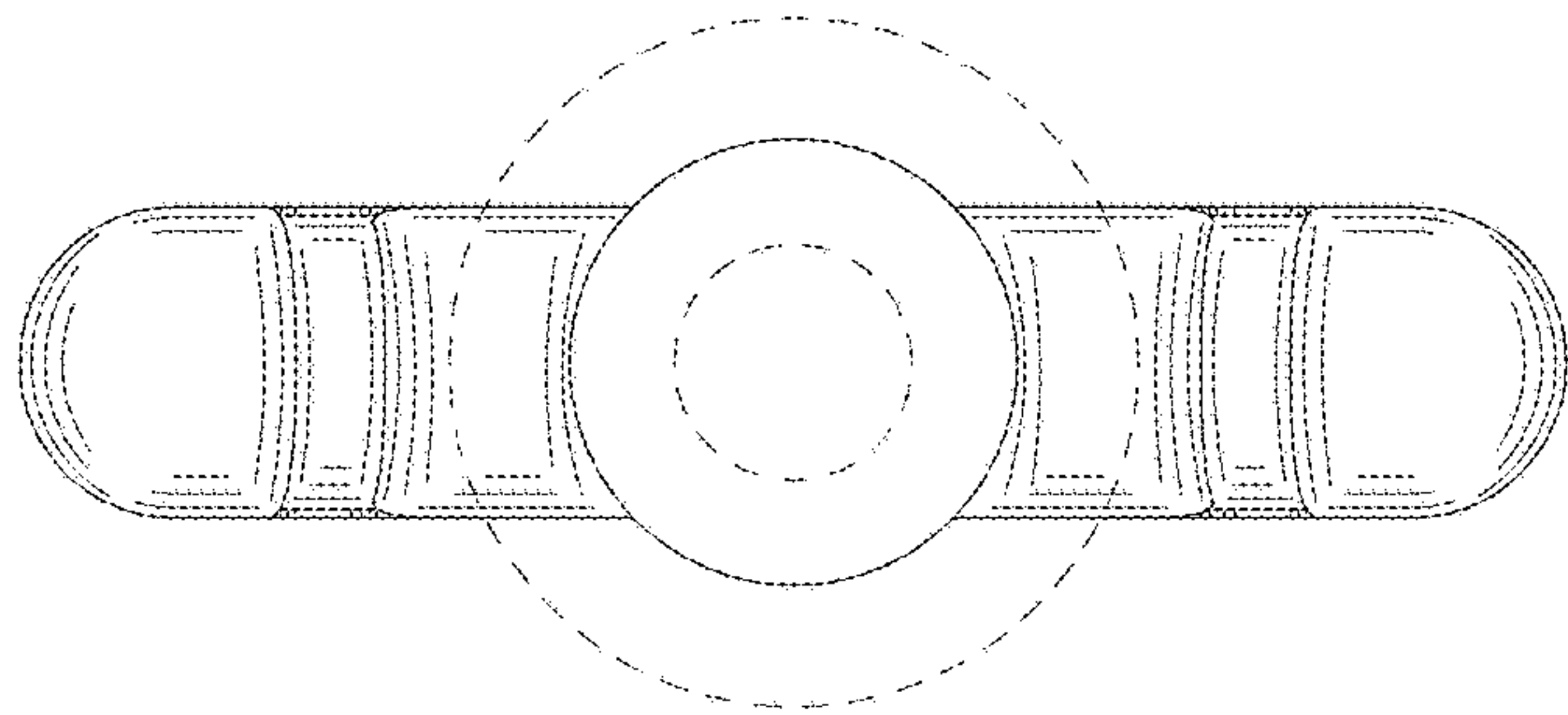


FIG. 5