



US00D840043S

(12) **United States Design Patent** (10) **Patent No.:** **US D840,043 S**
Li et al. (45) **Date of Patent:** **** Feb. 5, 2019**

(54) **INTELLIGENT HEALTH WRISTBAND**

(56) **References Cited**

(71) Applicants: **Jianzhou Li**, Guangdong (CN);
Xiaotao Hu, Guangdong (CN); **Wenjun Yan**, Guangdong (CN)

U.S. PATENT DOCUMENTS

(72) Inventors: **Jianzhou Li**, Guangdong (CN);
Xiaotao Hu, Guangdong (CN); **Wenjun Yan**, Guangdong (CN)

D621,808 S *	8/2010	Kim	D14/138 R
D809,144 S *	1/2018	Wu	D24/167
D814,643 S *	4/2018	Mockler	D24/186
D815,635 S *	4/2018	Lumme	D14/344
D818,467 S *	5/2018	Son	D14/344
D822,836 S *	7/2018	Wu	D24/186

(**) Term: **15 Years**

* cited by examiner

(21) Appl. No.: **29/641,993**

Primary Examiner — Anhdao Doan

(22) Filed: **Mar. 27, 2018**

(57) **CLAIM**

(30) **Foreign Application Priority Data**

The ornamental design for an intelligent health wristband, as shown and described.

Feb. 13, 2018 (CN) 2018 3 0069575

DESCRIPTION

(51) **LOC (11) Cl.** **24-01**

(52) **U.S. Cl.**
USPC **D24/186**; D14/344; D10/38

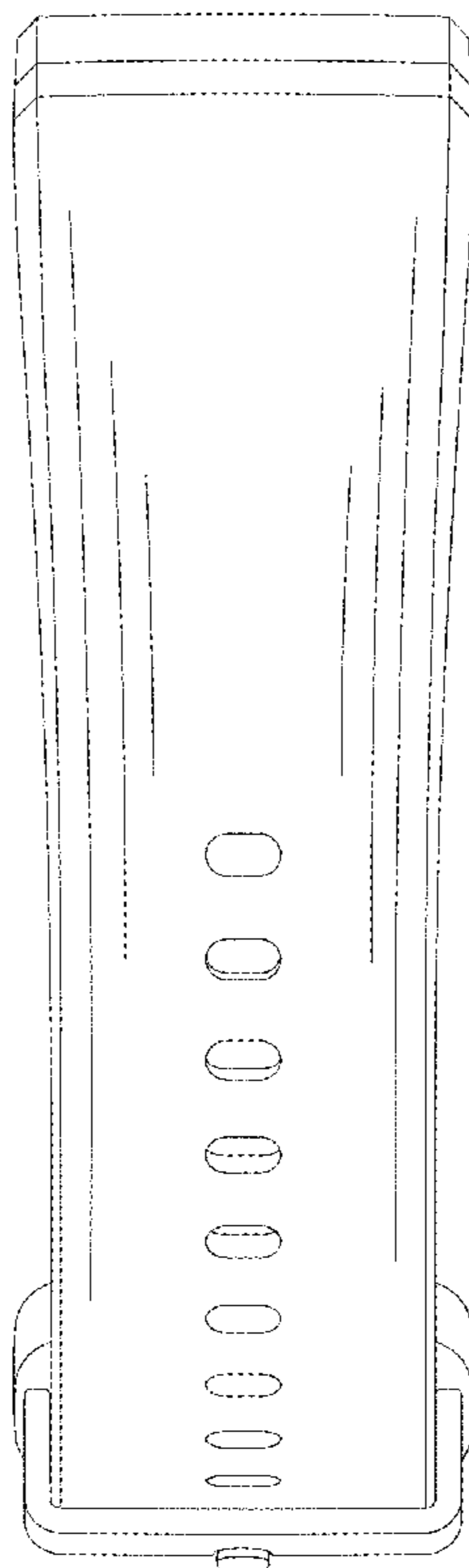
(58) **Field of Classification Search**
USPC D24/165–169, 186, 187; D14/344;
D10/30, 38, 98

CPC ... A61B 5/0006; A61B 5/0022; A61B 5/0202;
A61B 5/04012; A61B 5/04087; A61B
5/681; A61B 5/6824; A61B 5/6832; A61B
5/6833; A61B 5/68335; A61B 5/684;
A61B 2560/0406; A61B 2560/0412;
A61B 2560/0468

FIG. 1 is a front elevational view of an intelligent health wristband showing our new design;
 FIG. 2 is a rear elevational view thereof;
 FIG. 3 is a left side view in a reduce scale thereof;
 FIG. 4 is a right side view in a reduce scale thereof;
 FIG. 5 is a top plan view in an enlarge scale thereof;
 FIG. 6 is a bottom plan view in an enlarge scale thereof;
 FIG. 7 is a perspective view thereof;
 FIG. 8 is a second perspective view thereof; and,
 FIG. 9 is a third perspective view thereof.

See application file for complete search history.

1 Claim, 9 Drawing Sheets



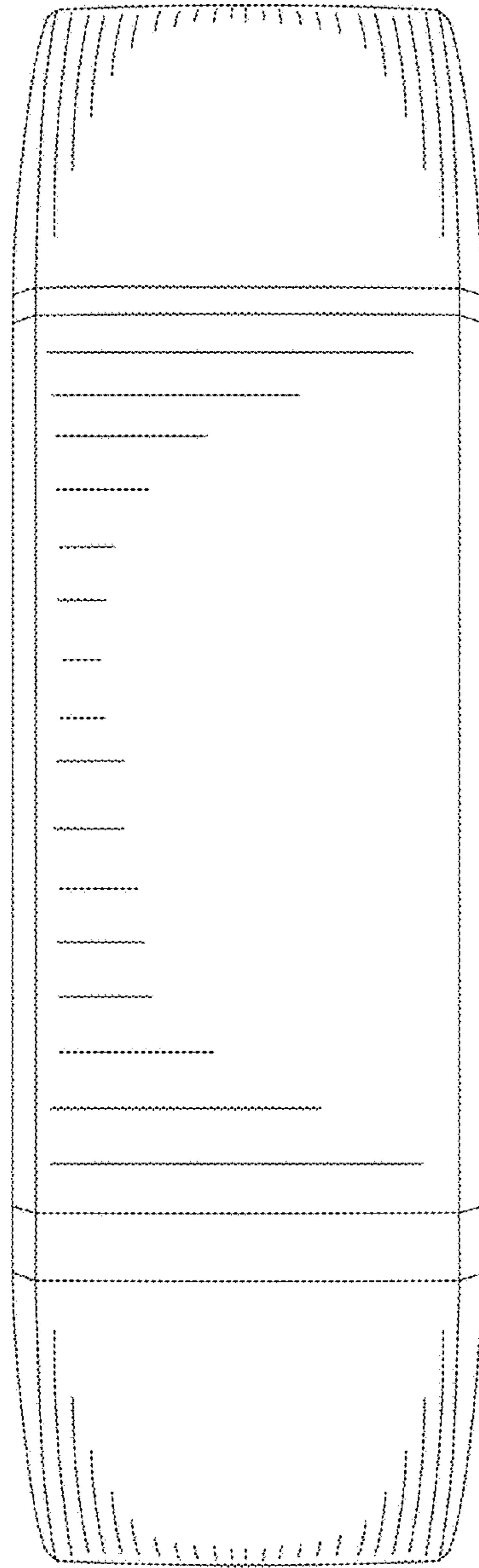


Fig. 1

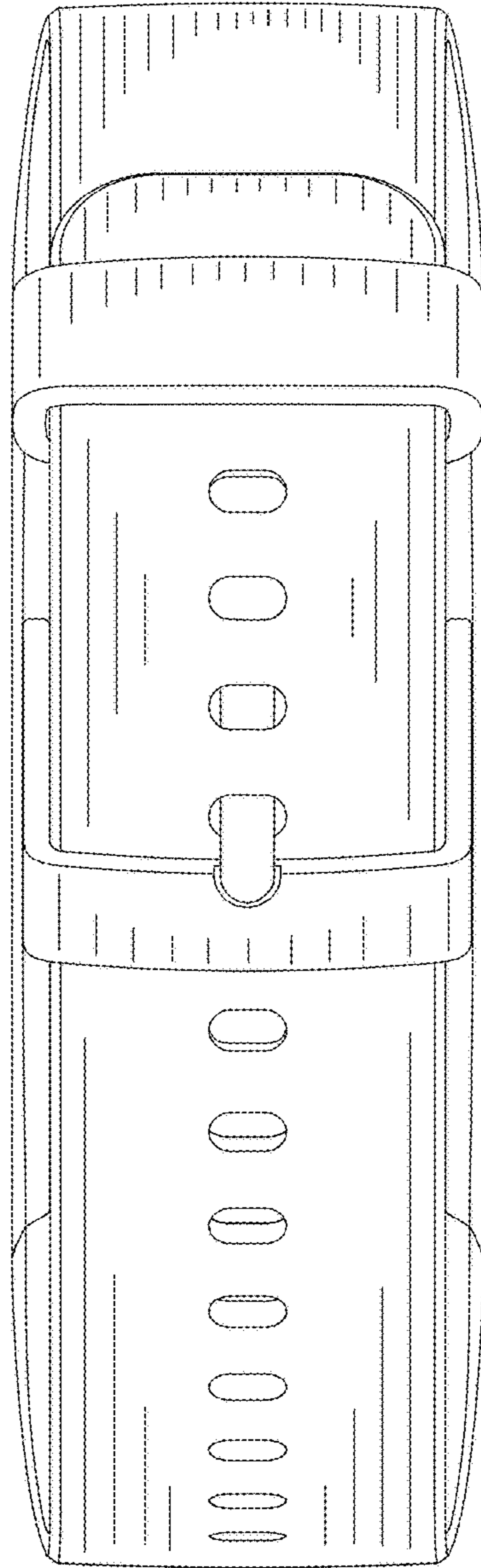


Fig. 2

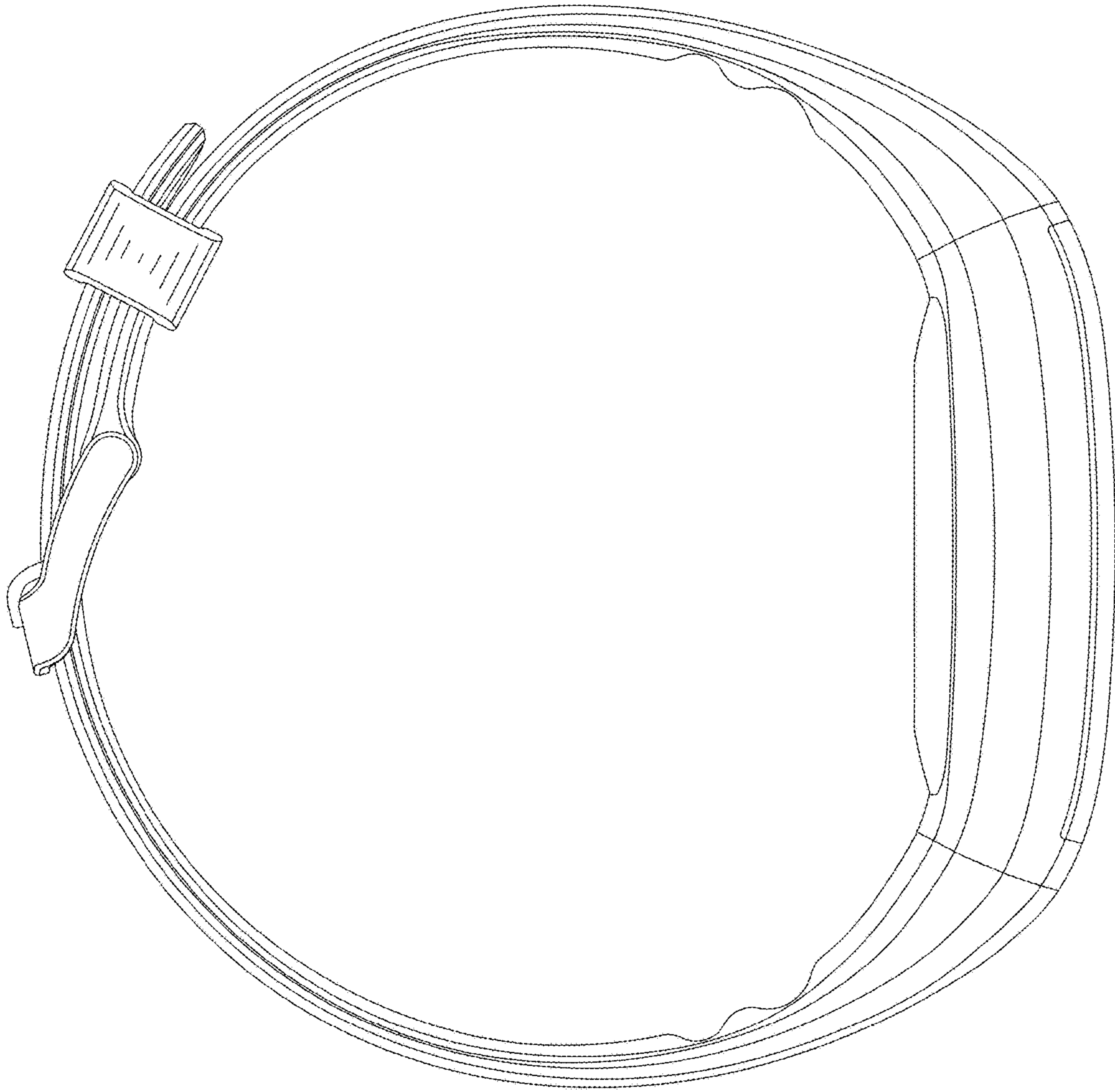


Fig. 3

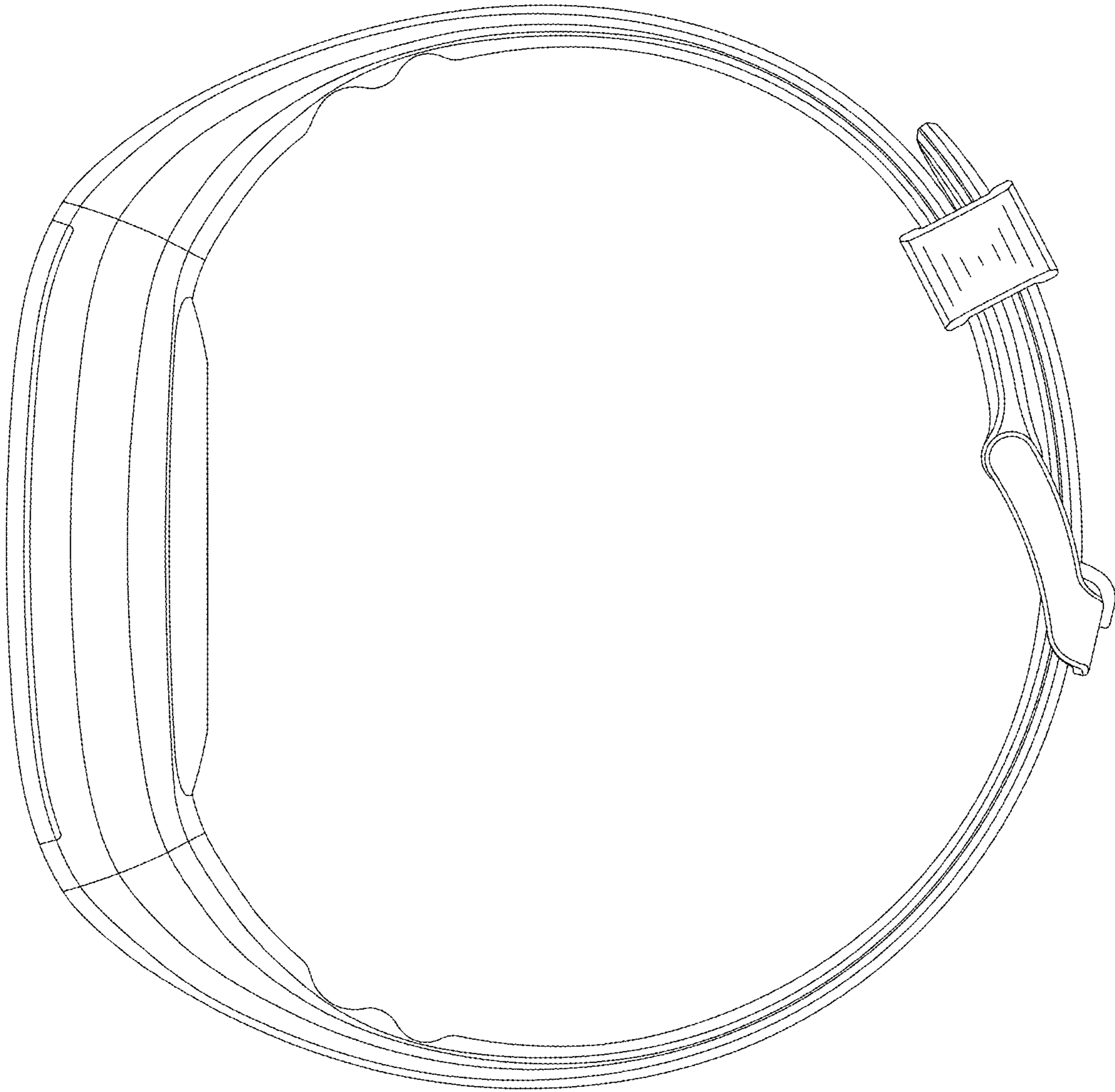


Fig. 4

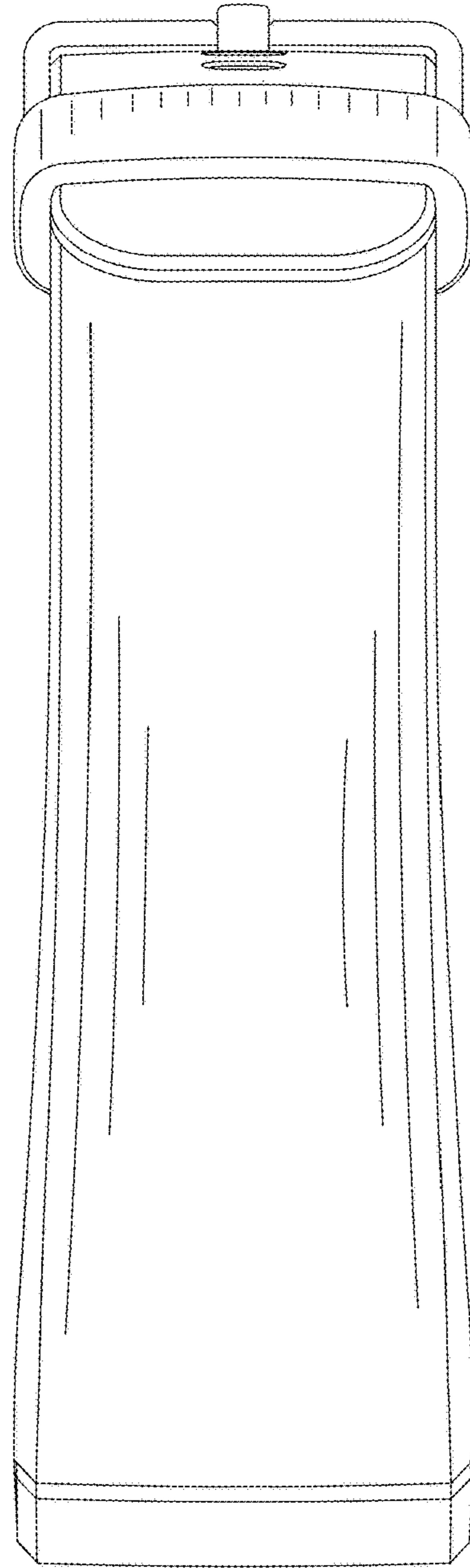


Fig. 5

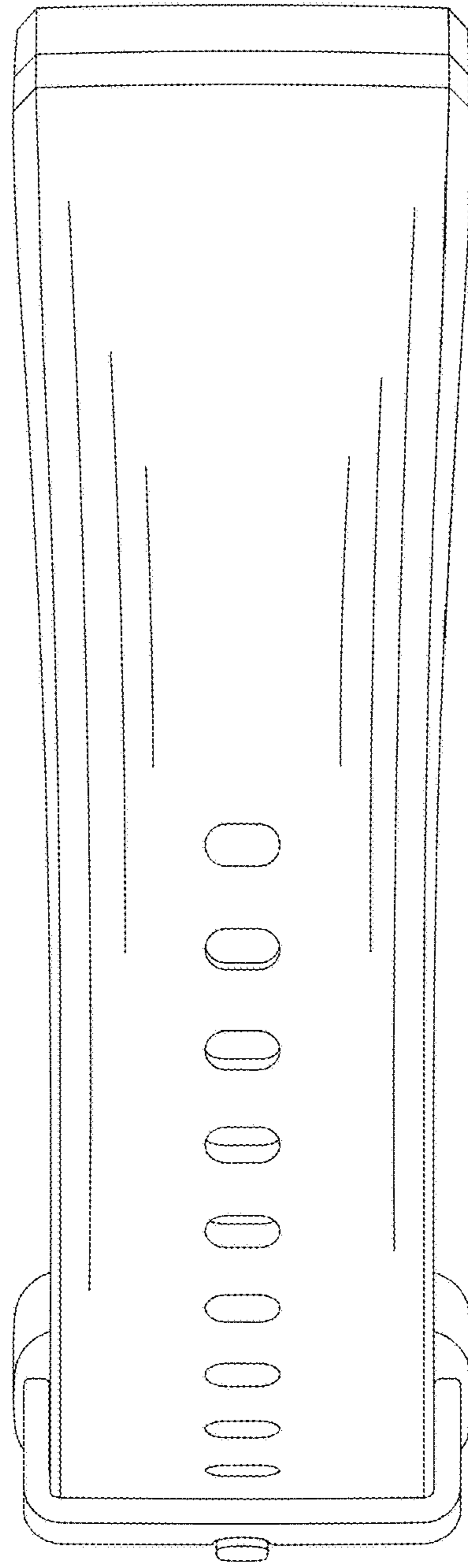


Fig. 6

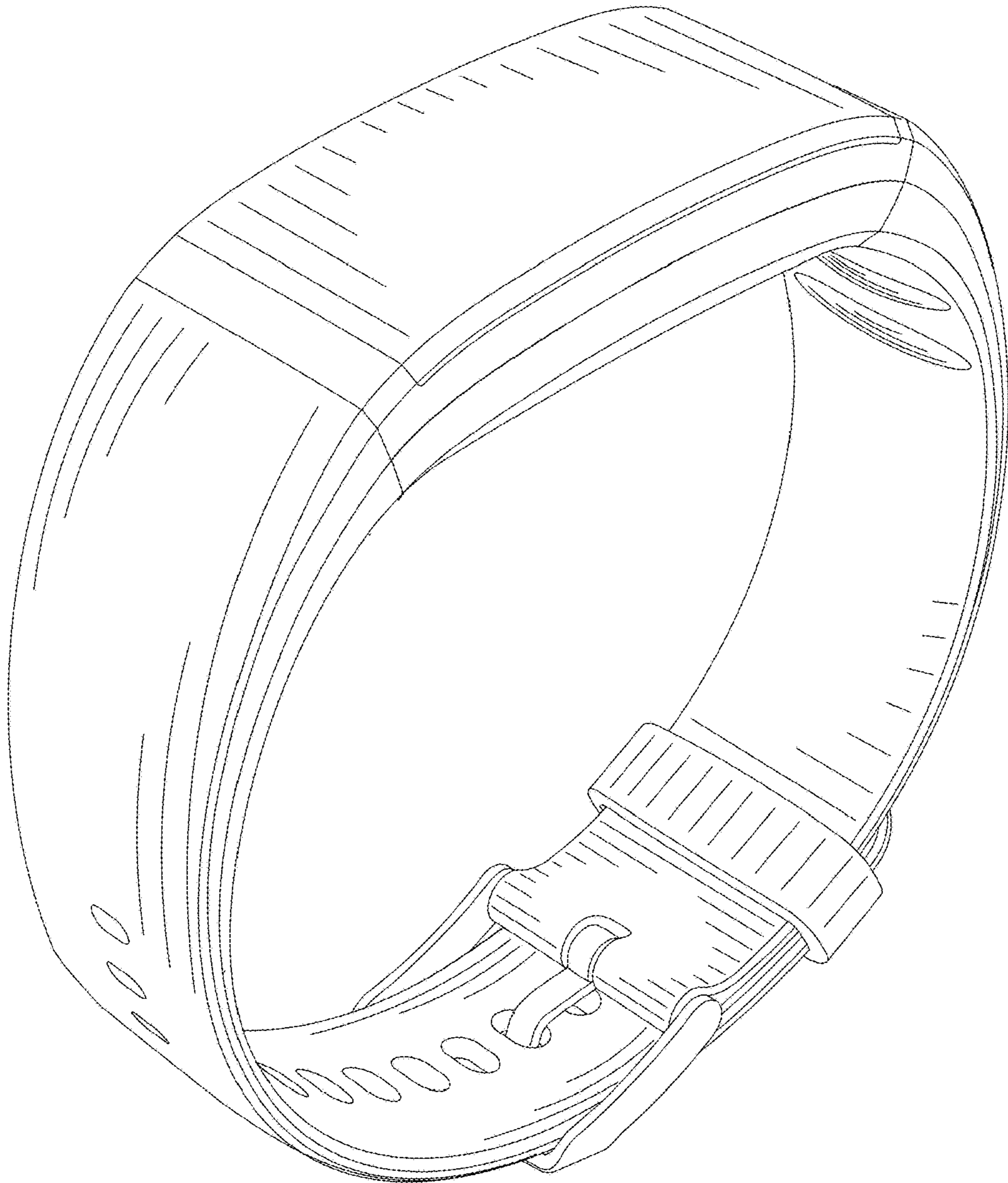


Fig. 7

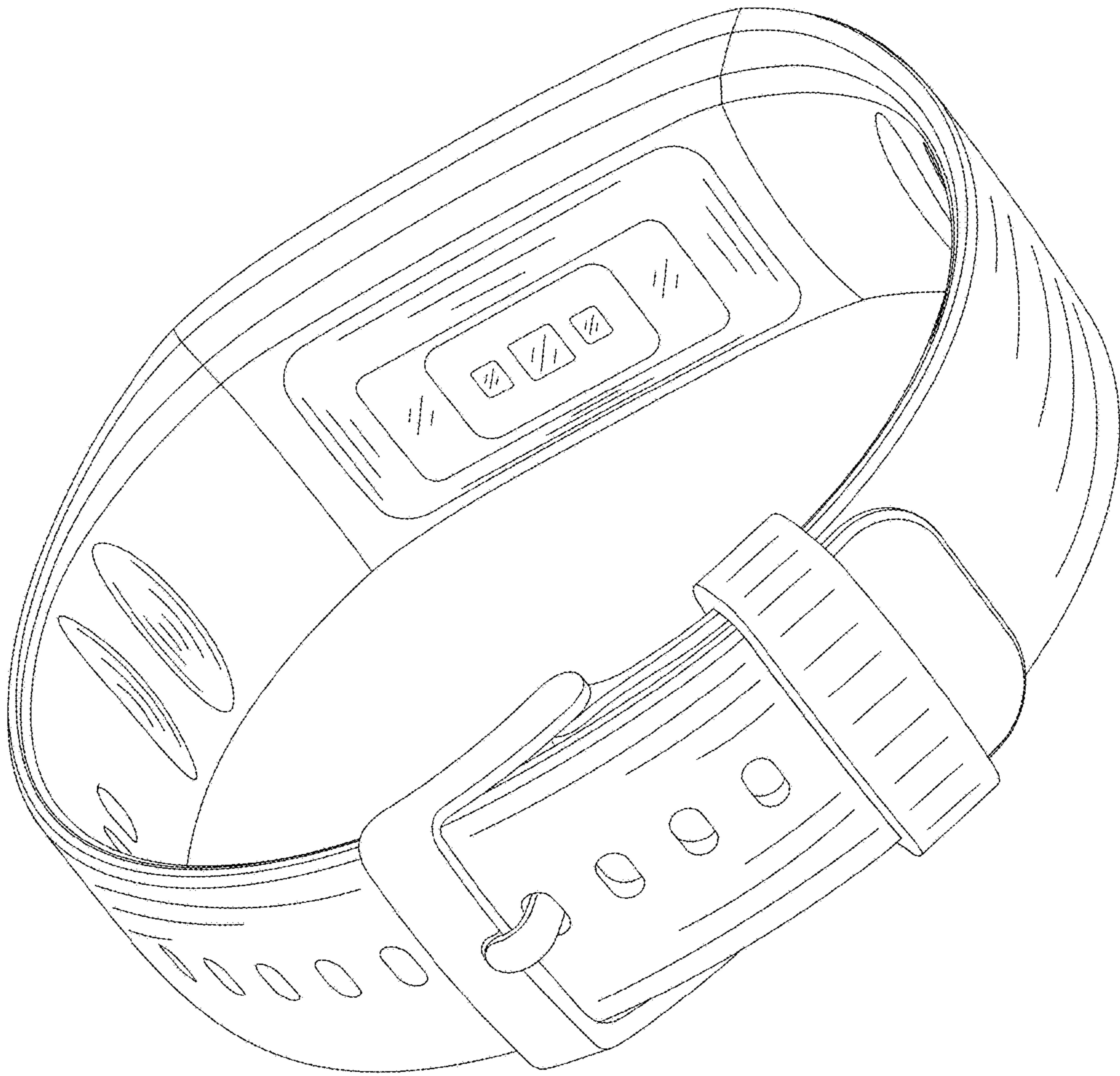


Fig. 8

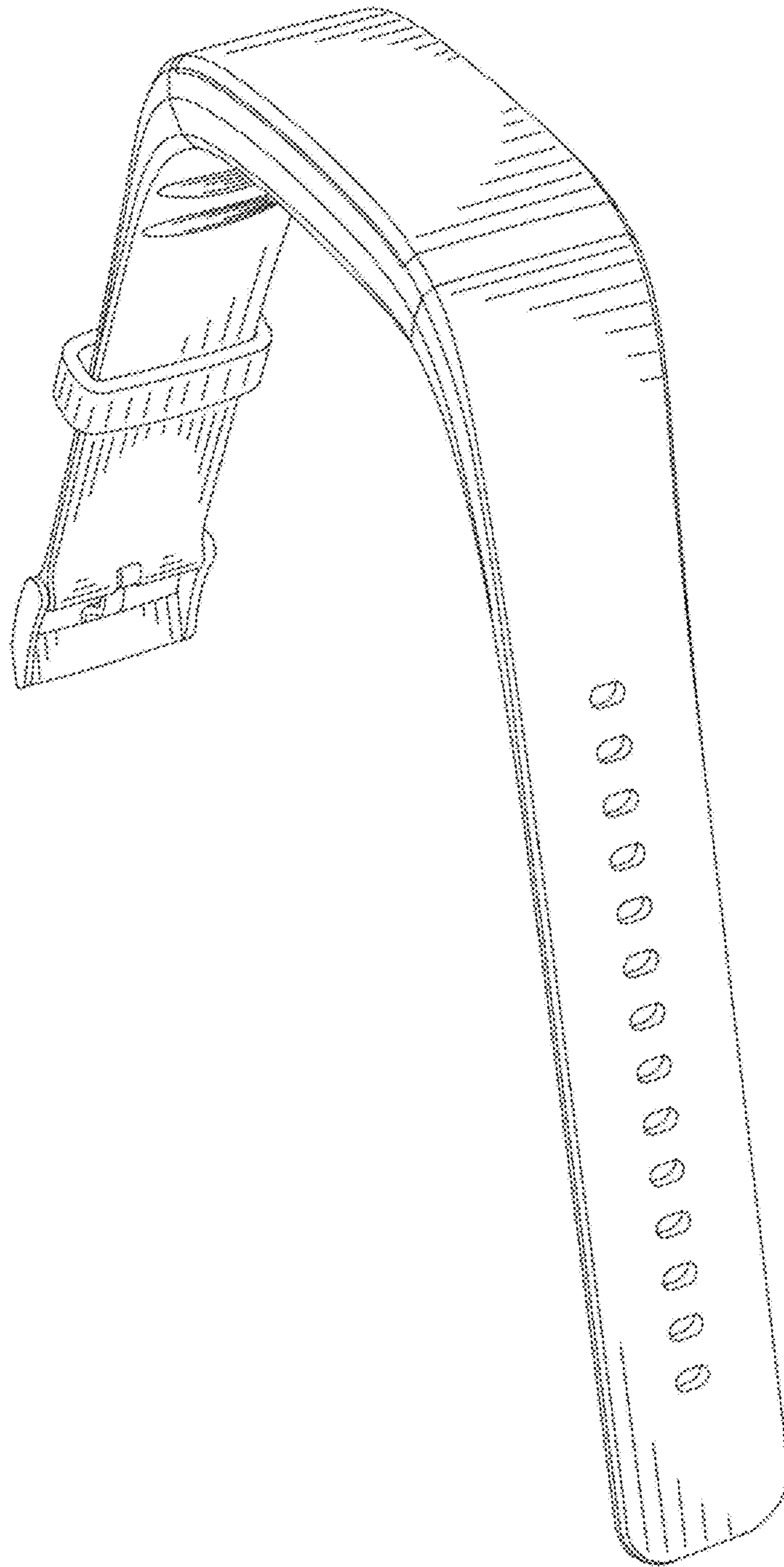


Fig. 9