



US00D840041S

(12) **United States Design Patent**
Li et al.

(10) **Patent No.:** **US D840,041 S**

(45) **Date of Patent:** **** Feb. 5, 2019**

(54) **FITNESS BAND WITH CALL FUNCTION**

(71) Applicants: **Jianzhou Li**, Guangdong (CN);
Xiaotao Hu, Guangdong (CN); **Wenjun Yan**, Guangdong (CN)

(72) Inventors: **Jianzhou Li**, Guangdong (CN);
Xiaotao Hu, Guangdong (CN); **Wenjun Yan**, Guangdong (CN)

(**) Term: **15 Years**

(21) Appl. No.: **29/610,220**

(22) Filed: **Jul. 11, 2017**

(30) **Foreign Application Priority Data**

Mar. 17, 2017 (CN) 2017 3 0078335

(51) **LOC (11) Cl.** **24-01**

(52) **U.S. Cl.**
USPC **D24/186**; D14/344

(58) **Field of Classification Search**
USPC D24/107, 165, 167, 168, 186, 187;
D10/31, 32, 38, 70, 98; D14/344;
D11/1-4
CPC A61B 5/0402; A61B 5/0404; A61B 5/021;
A61B 5/024; A61B 5/02405; A61B
5/02438; A61B 5/681; A61B 2560/0247;
A61B 2560/0462

See application file for complete search history.

(56) **References Cited**

U.S. PATENT DOCUMENTS

D564,367 S * 3/2008 Molyneux D10/31
7,529,155 B2 * 5/2009 Fasciano H04B 1/385
368/10
8,370,549 B2 * 2/2013 Burton A63B 24/00
703/1
D752,046 S * 3/2016 Jun D14/344

D779,989 S * 2/2017 Lee D24/167
D800,596 S * 10/2017 Ling D11/5
D805,643 S * 12/2017 Wu D24/167
D809,144 S * 1/2018 Wu D24/167
D818,855 S * 5/2018 Tooze D24/167
2015/0342480 A1 * 12/2015 Justice A61B 5/7225
600/479
2015/0351688 A1 * 12/2015 Just A61B 5/681
600/407
2017/0055911 A1 * 3/2017 Wijayaratna A61B 5/0205
2017/0340210 A1 * 11/2017 Chuang A61B 5/0022

* cited by examiner

Primary Examiner — Anhdao Doan

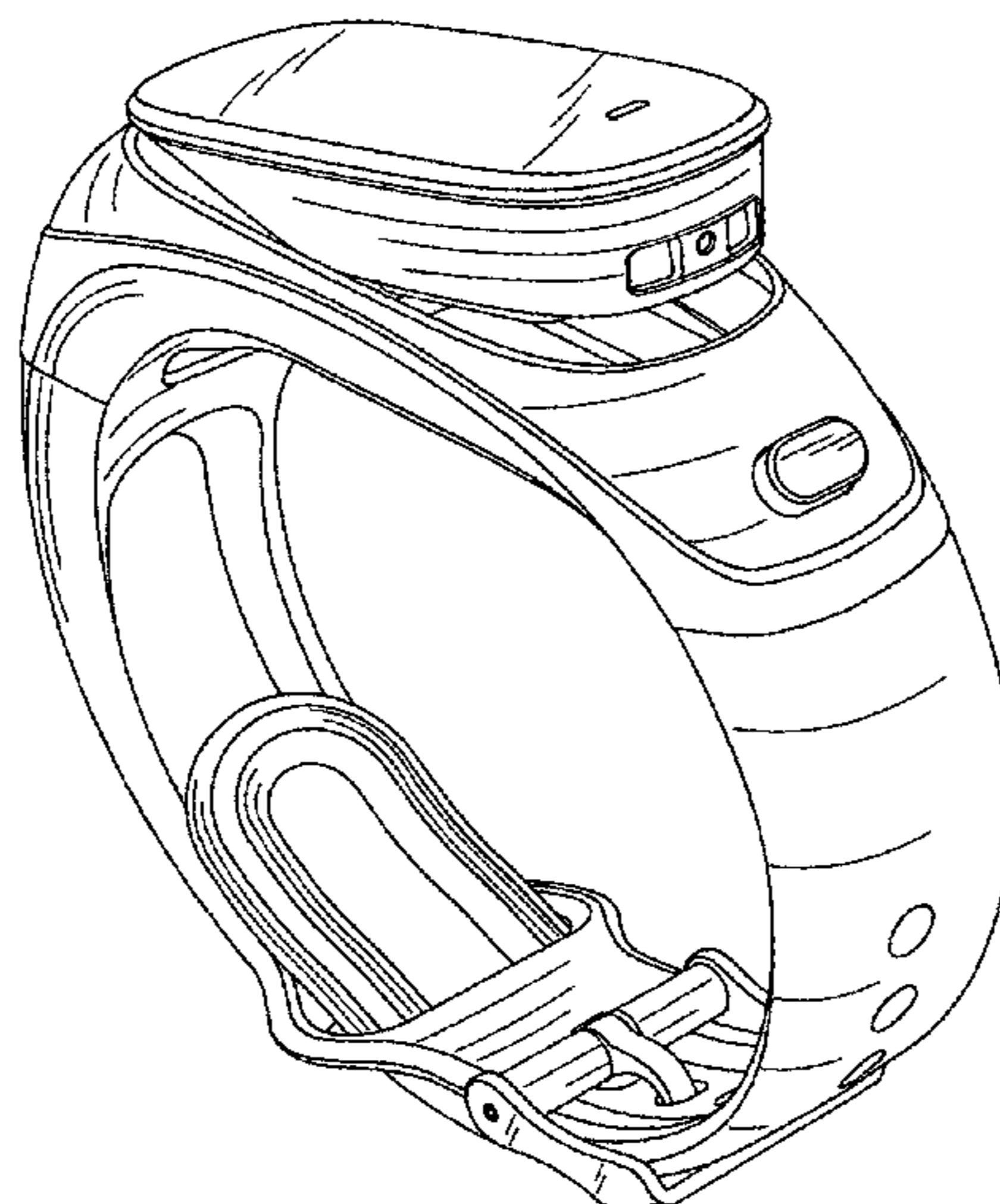
(57) **CLAIM**

The ornamental design for a fitness band with call function, as shown and described.

DESCRIPTION

FIG. 1 is a front elevational view of a fitness band with call function showing my new design;
FIG. 2 is a rear elevational view thereof;
FIG. 3 is an enlarged left side view thereof;
FIG. 4 is an enlarged right side view thereof;
FIG. 5 is a top plan view thereof;
FIG. 6 is a bottom plan view thereof;
FIG. 7 is a perspective view thereof with the wireless headset partially detached from the band;
FIG. 8 is another perspective view of FIG. 7;
FIG. 9 is a perspective view thereof with the band in an unbuckled condition;
FIG. 10 is a perspective view thereof with the wireless headset completely removed from the band;
FIG. 11 is another perspective view of FIG. 10;
FIG. 12 is another perspective view of FIG. 10 with the band in an unbuckled condition;
FIG. 13 is a perspective view of the wireless headset; and,
FIG. 14 is another perspective view of the wireless headset.

1 Claim, 11 Drawing Sheets



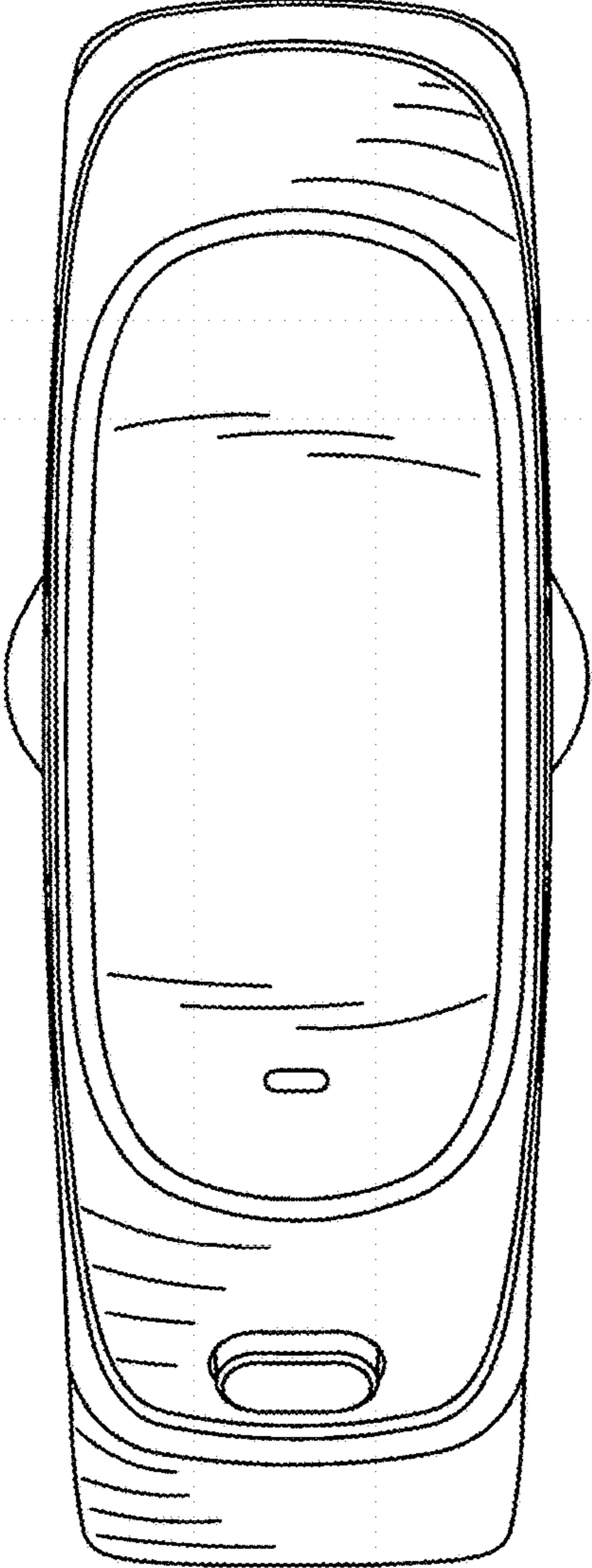


Fig. 1

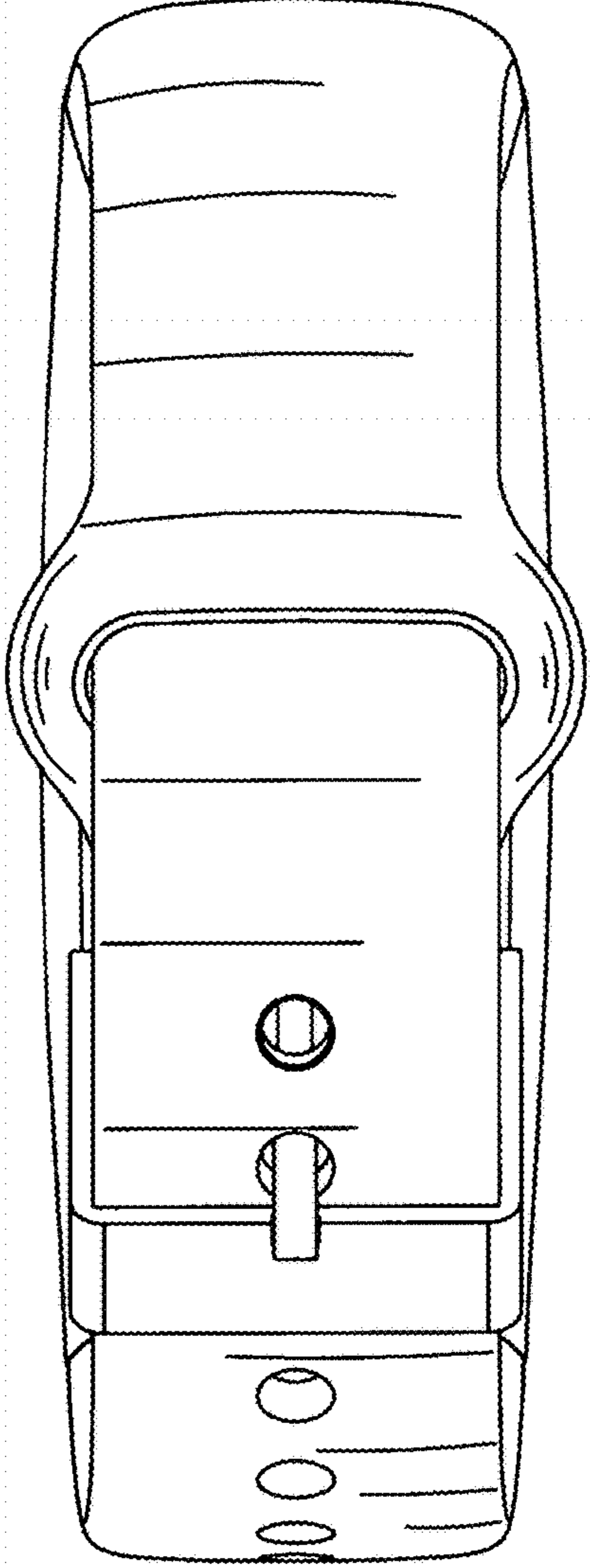


Fig. 2

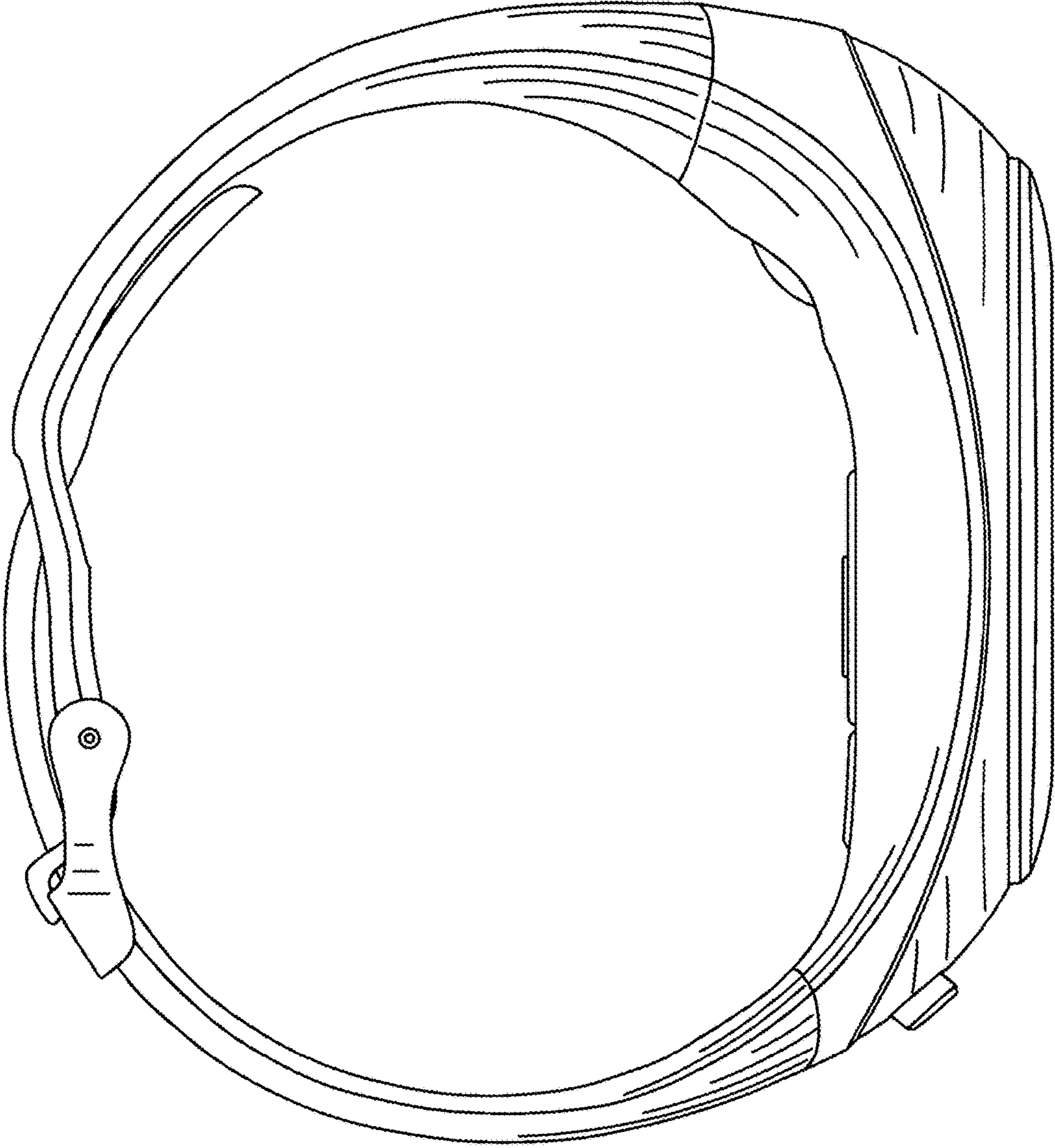


Fig. 3

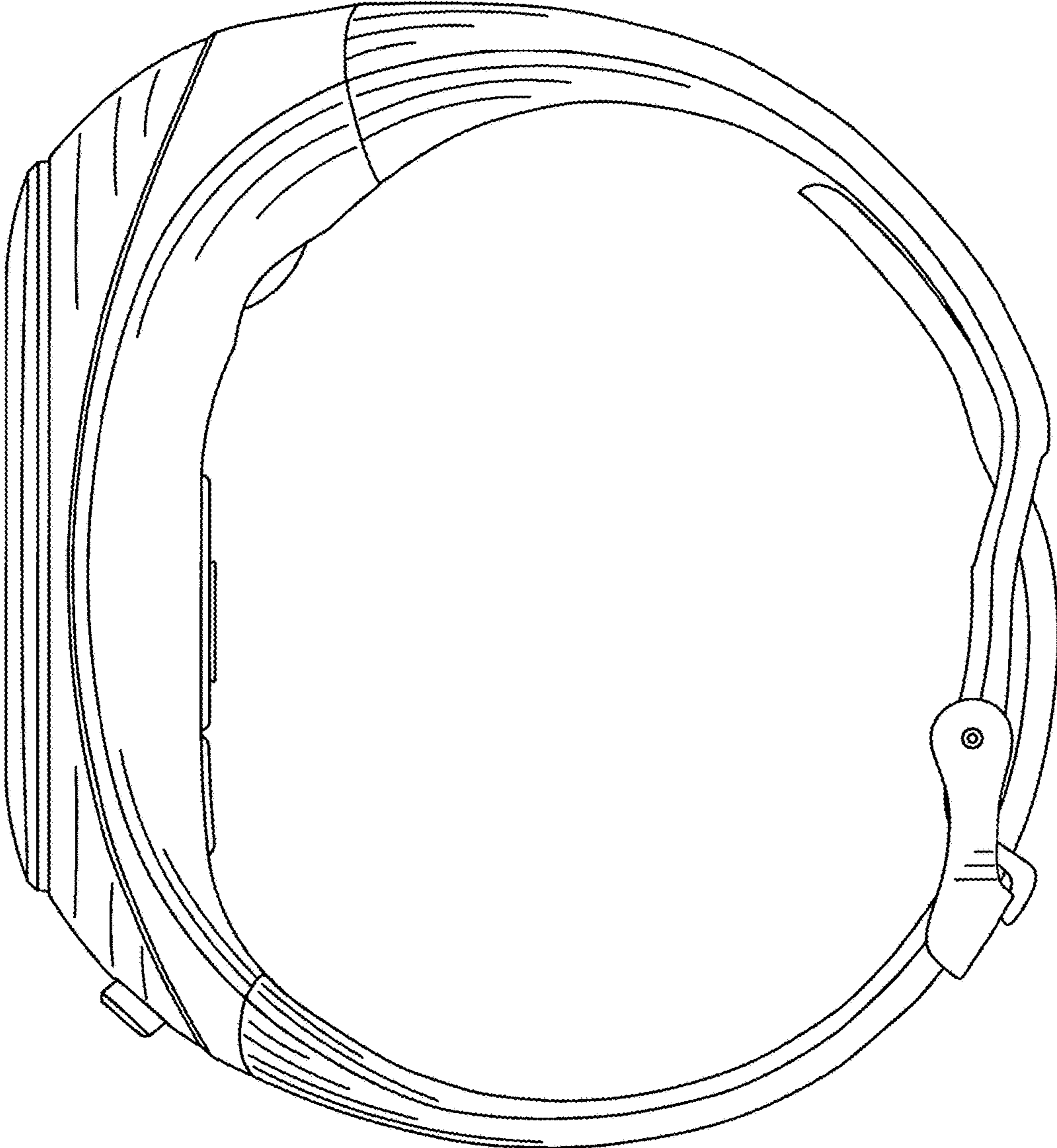


Fig. 4

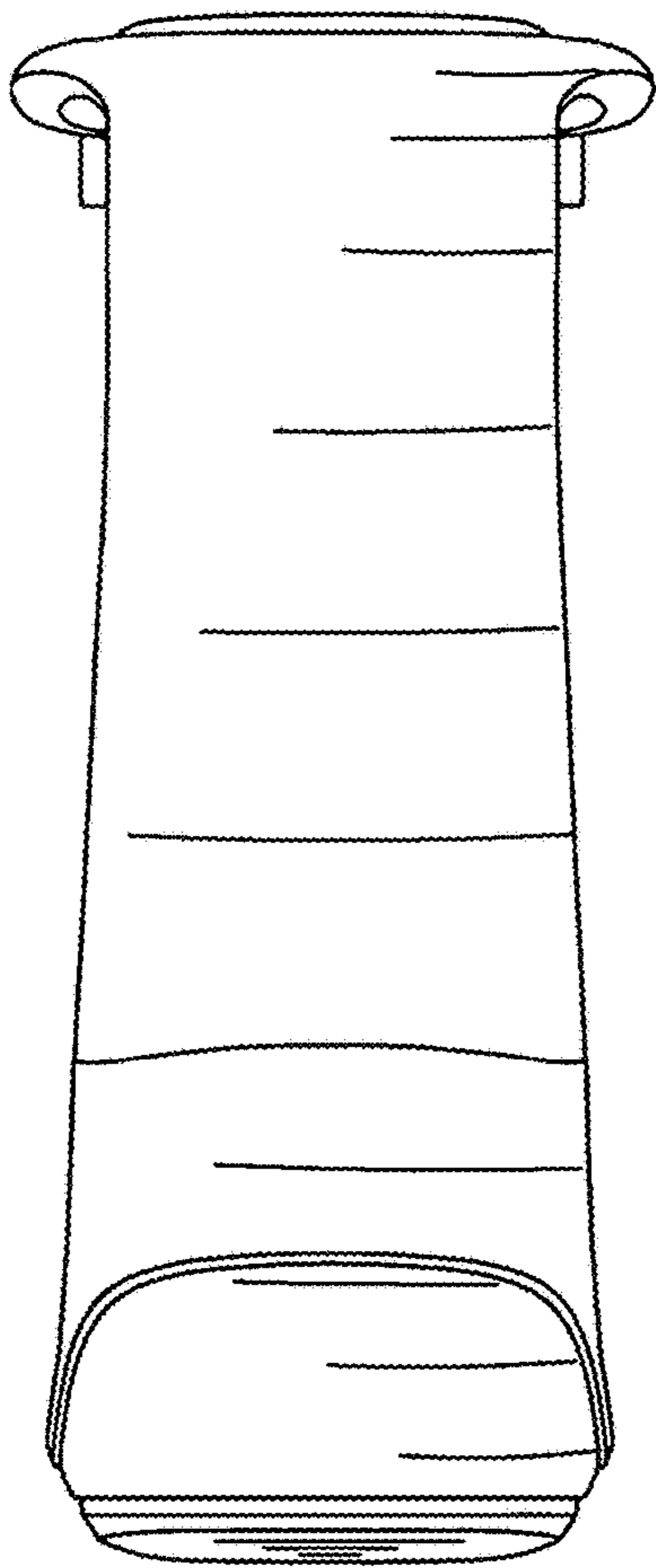


Fig. 5

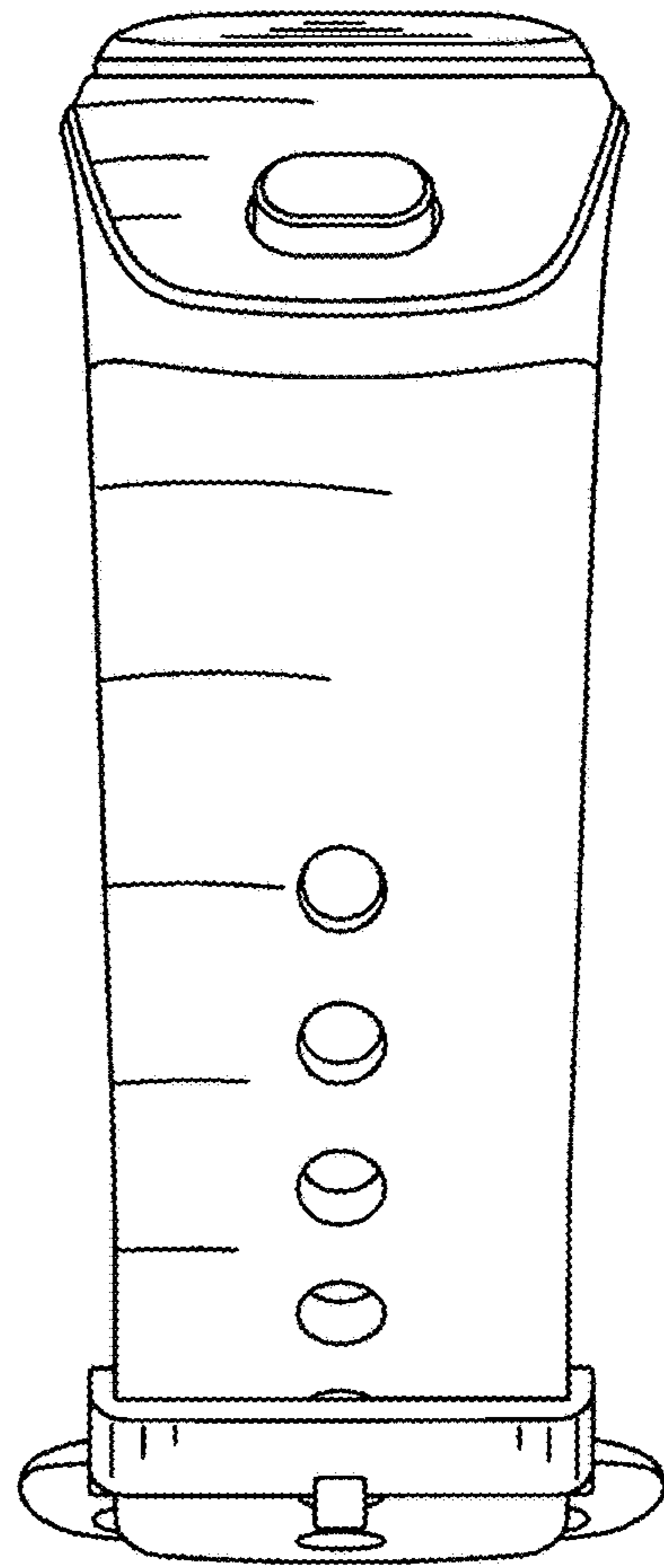


Fig. 6

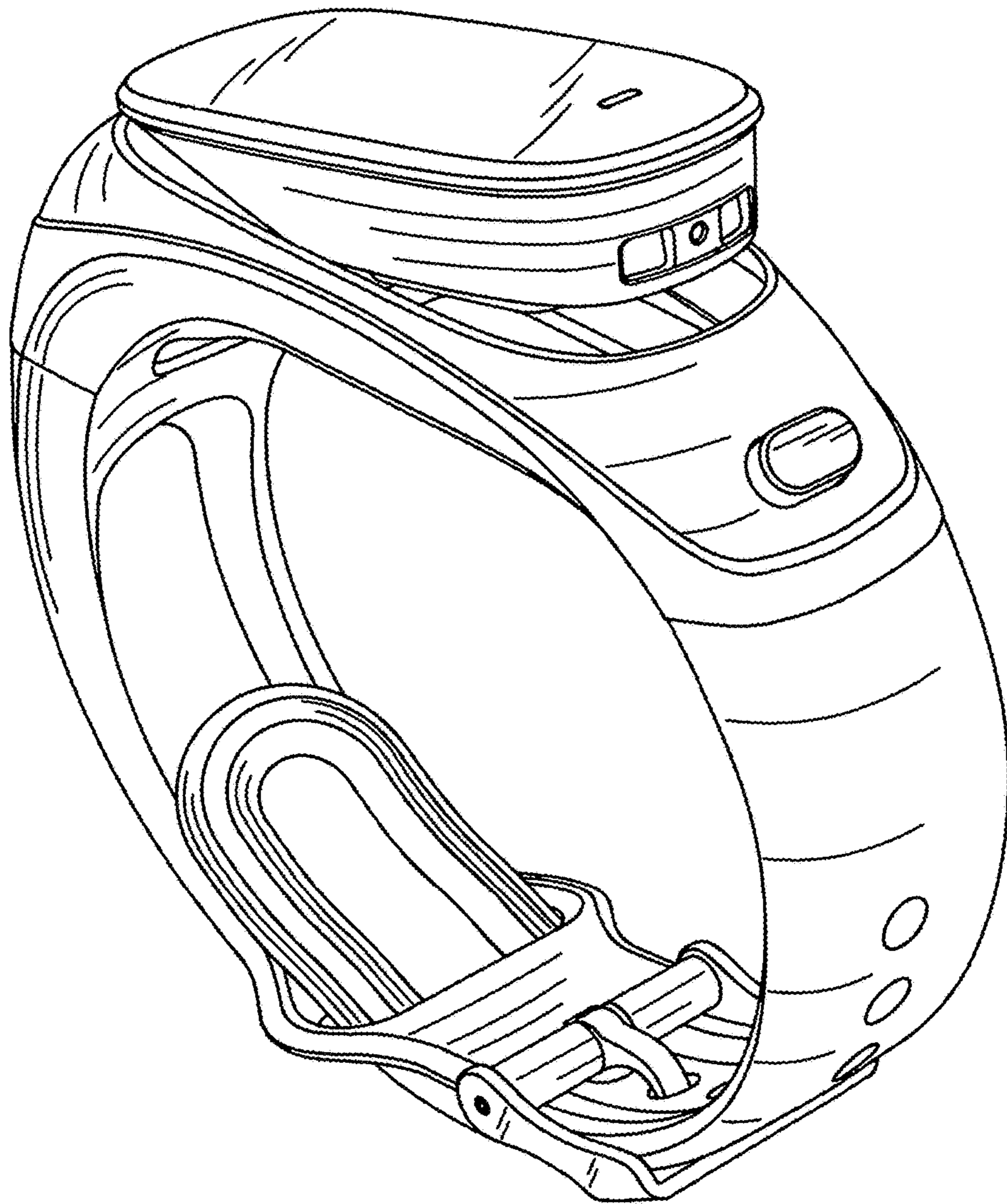


Fig. 7

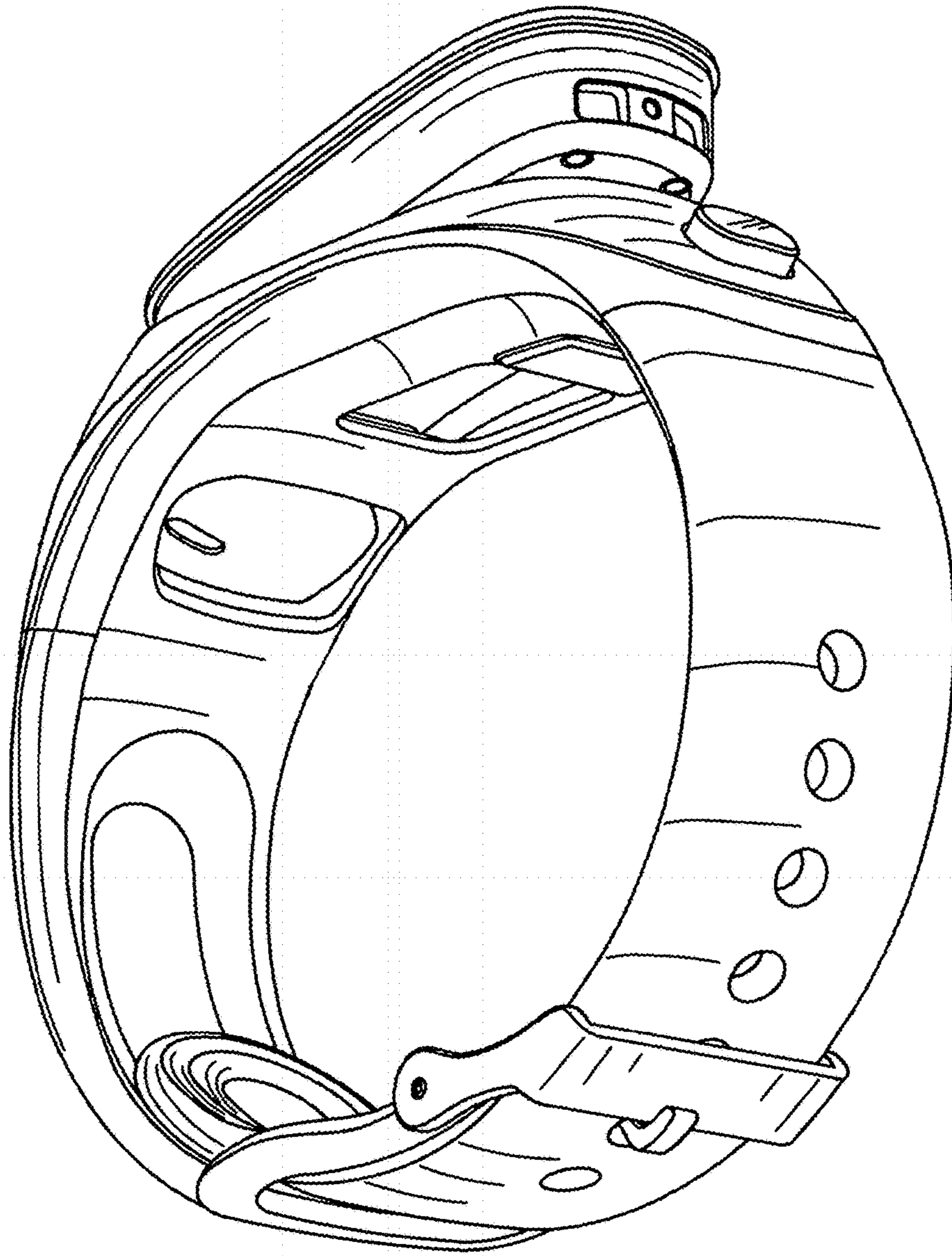


Fig. 8

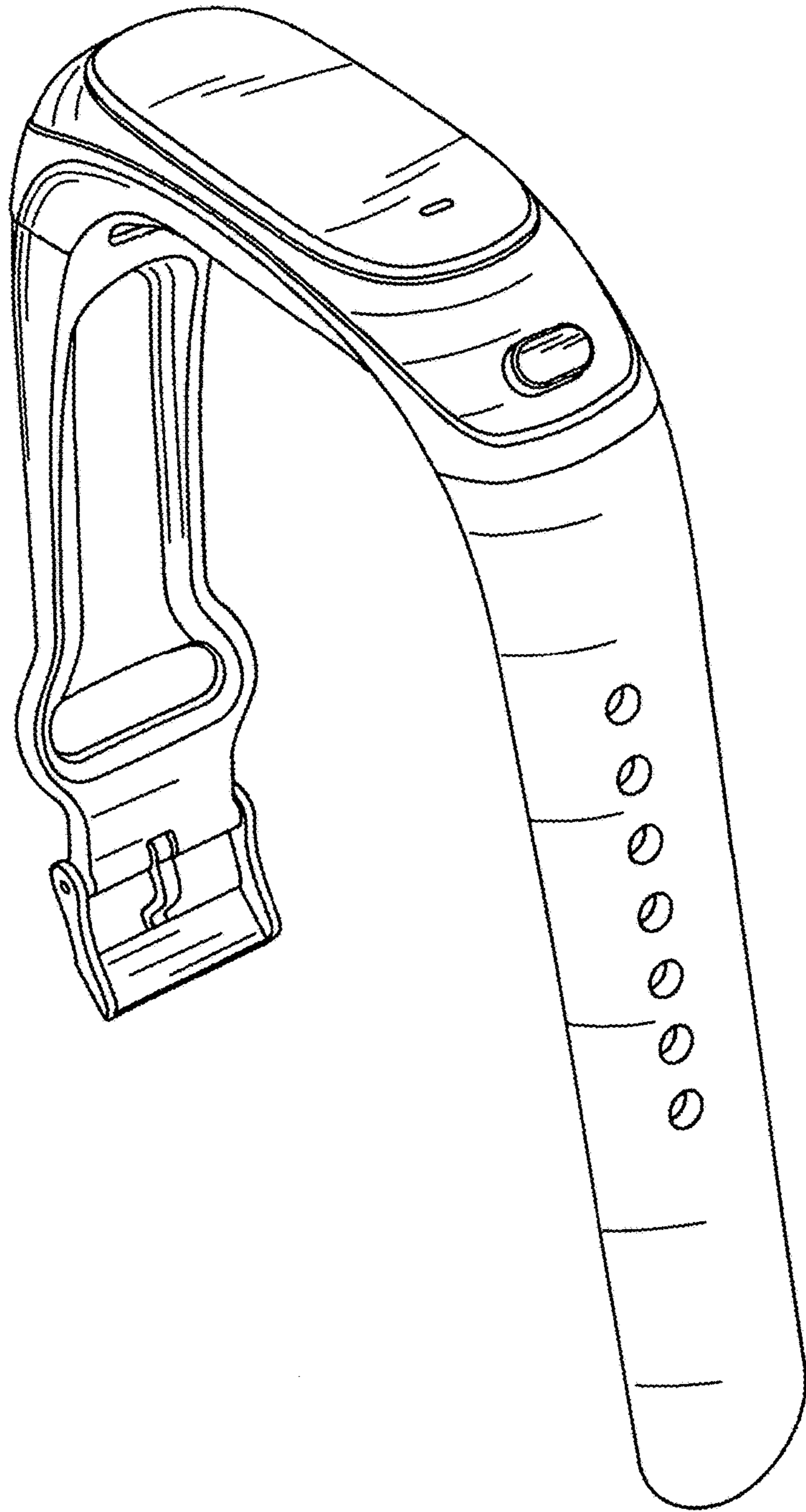


Fig. 9

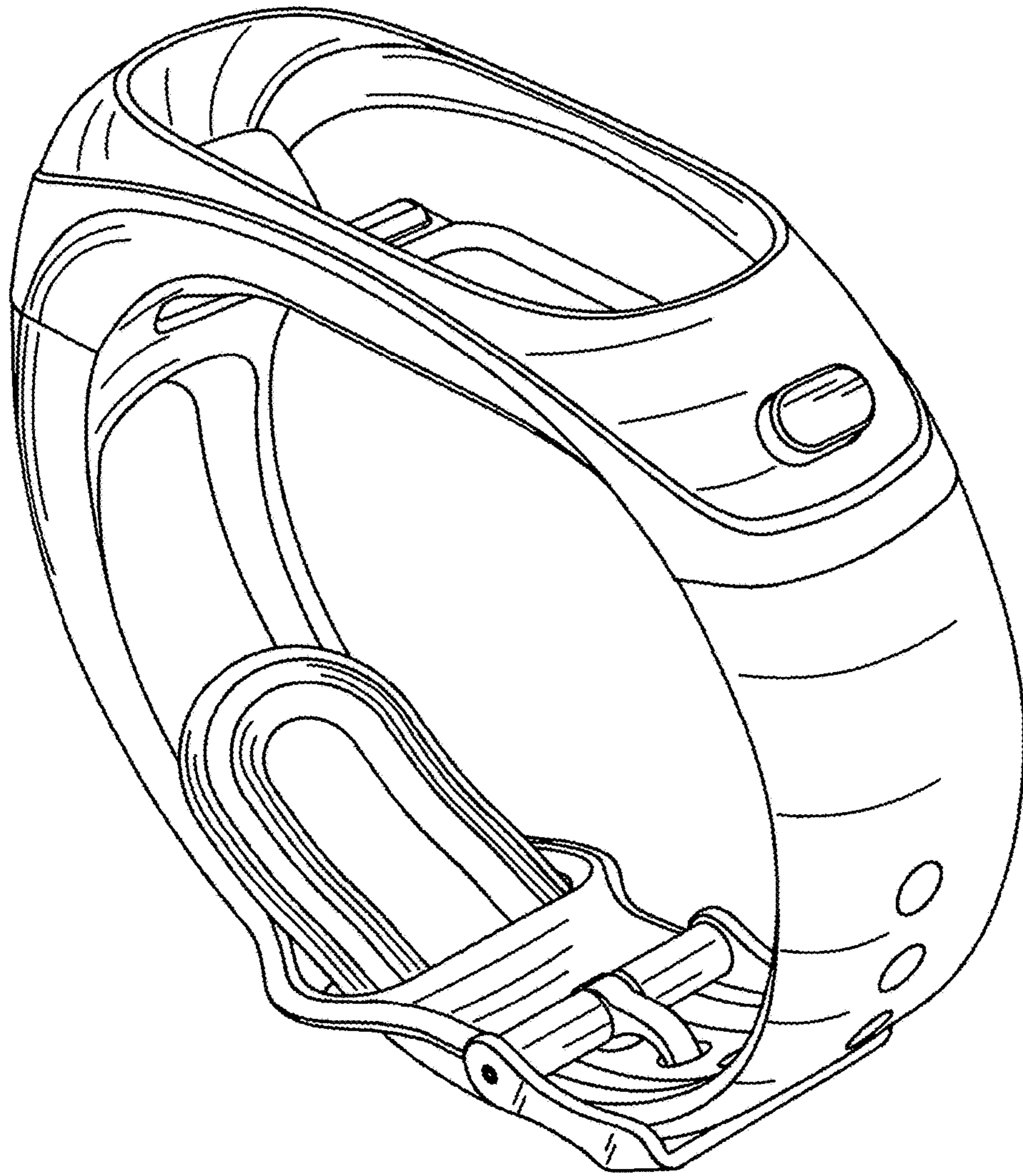


Fig. 10

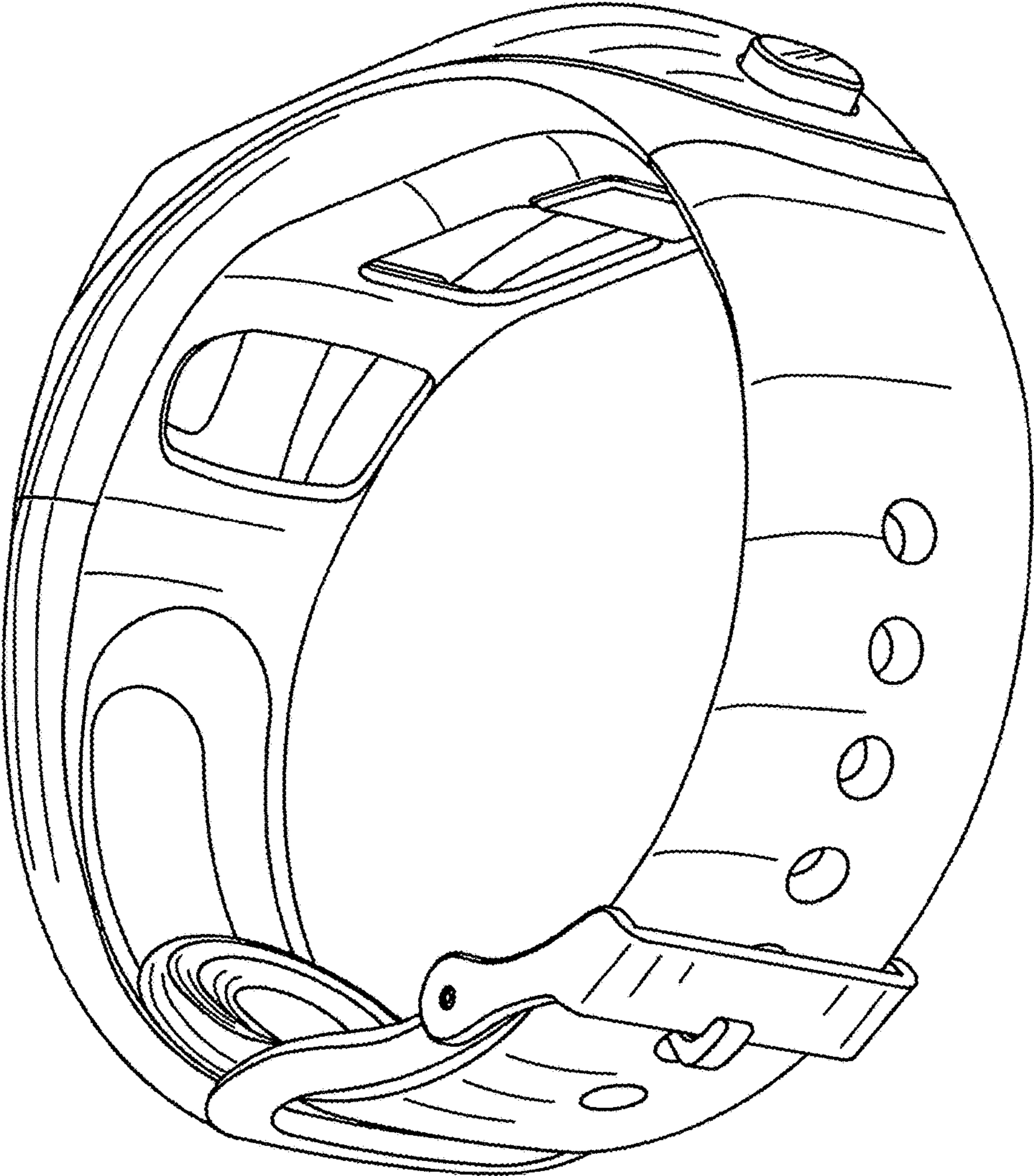


Fig. 11

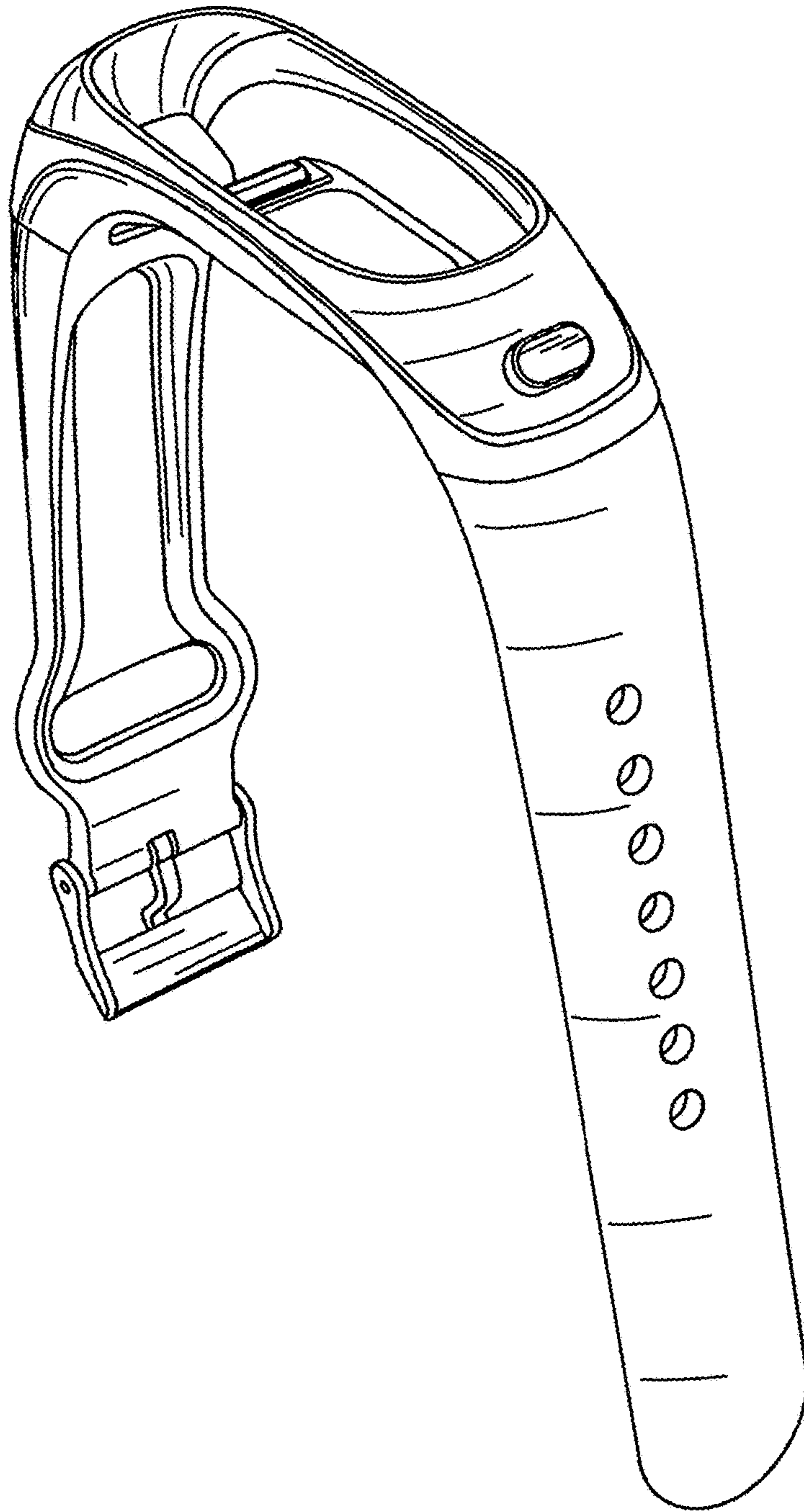


Fig. 12

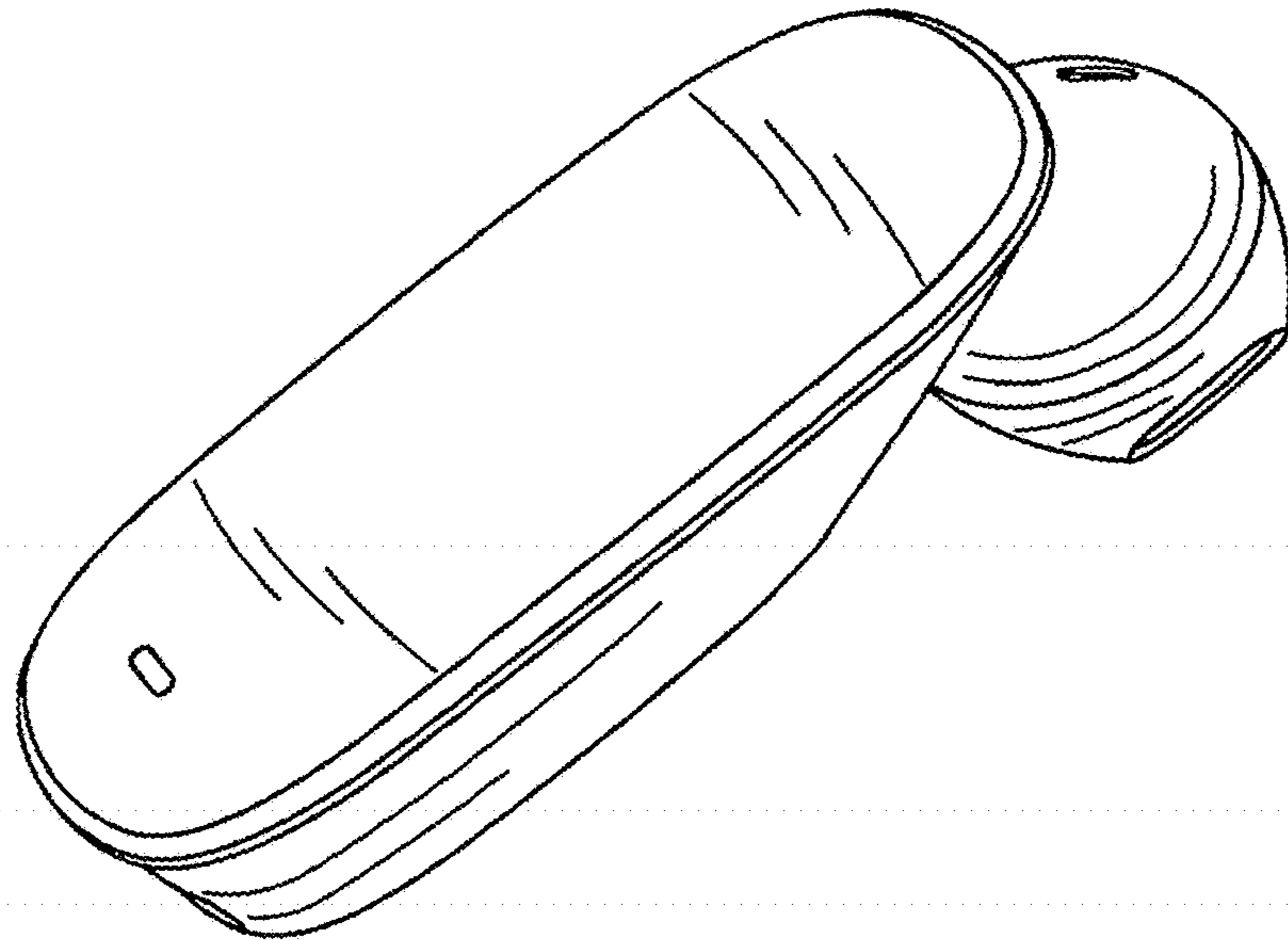


Fig. 13

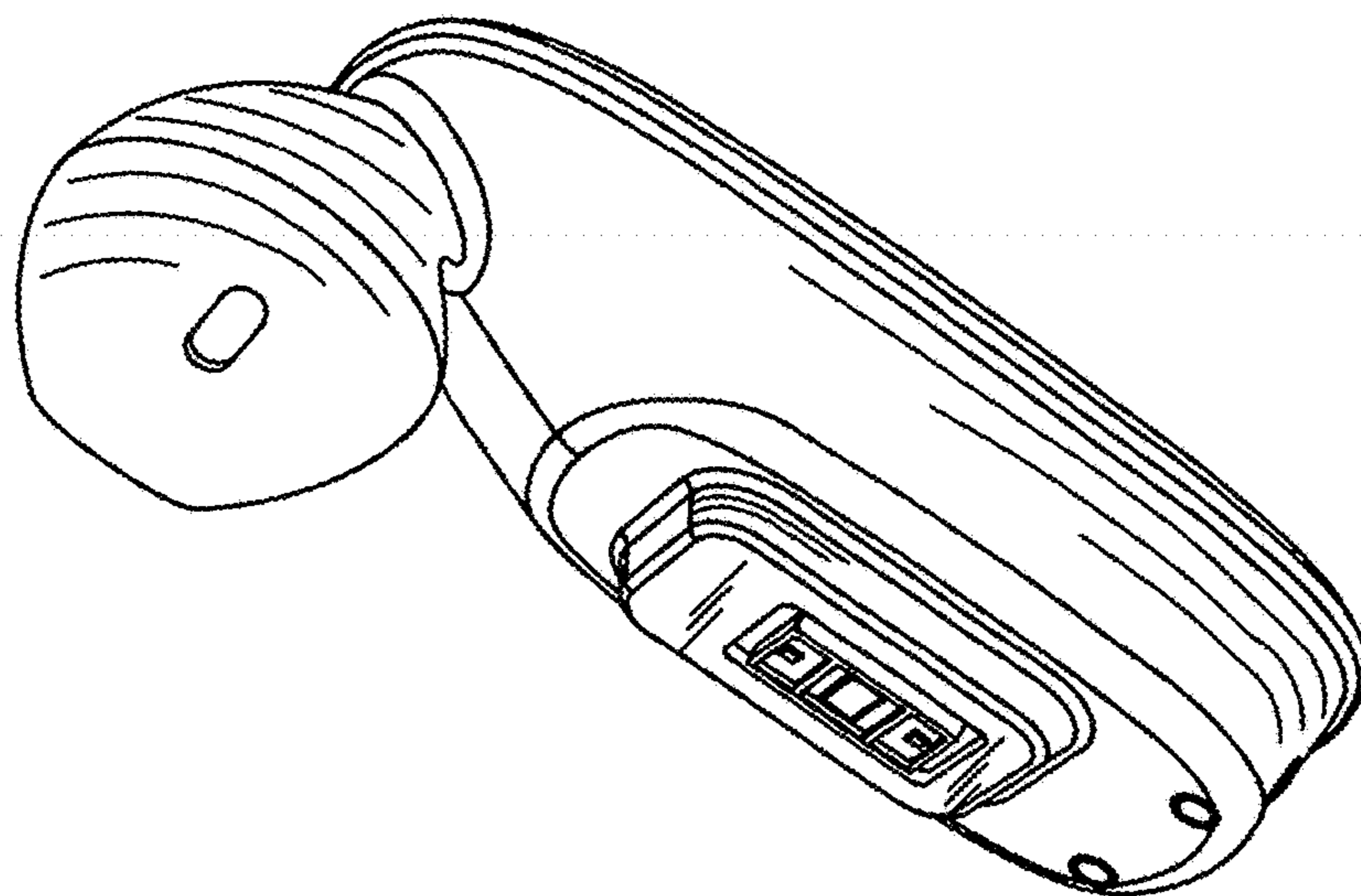


Fig. 14