



US00D840040S

(12) **United States Design Patent** (10) **Patent No.:** **US D840,040 S**  
**Tonini et al.** (45) **Date of Patent:** **\*\* Feb. 5, 2019**

(54) **DENTAL INSTRUMENT**  
(71) Applicant: **Tonini Riccardo**, Brescia (IT)  
(72) Inventors: **Riccardo Tonini**, Brescia (IT); **Fabio Gorni**, Milan (IT)  
(\*\*) Term: **15 Years**  
(21) Appl. No.: **35/503,934**  
(22) Filed: **Sep. 7, 2017**  
(80) **Hague Agreement Data**  
Int. Filing Date: **Sep. 7, 2017**  
Int. Reg. No.: **DM/098242**  
Int. Reg. Date: **Sep. 7, 2017**  
Int. Reg. Pub. Date: **Nov. 10, 2017**  
(51) **LOC (11) Cl.** ..... **24-02**  
(52) **U.S. Cl.**  
USPC ..... **D24/176**  
(58) **Field of Classification Search**  
USPC .... D24/152, 176, 216, 224; D10/32, 38, 39;  
362/570  
CPC ..... B01F 11/0022; B01F 9/0043; B01L 3/52;  
G01N 35/1002; A61B 1/24  
See application file for complete search history.

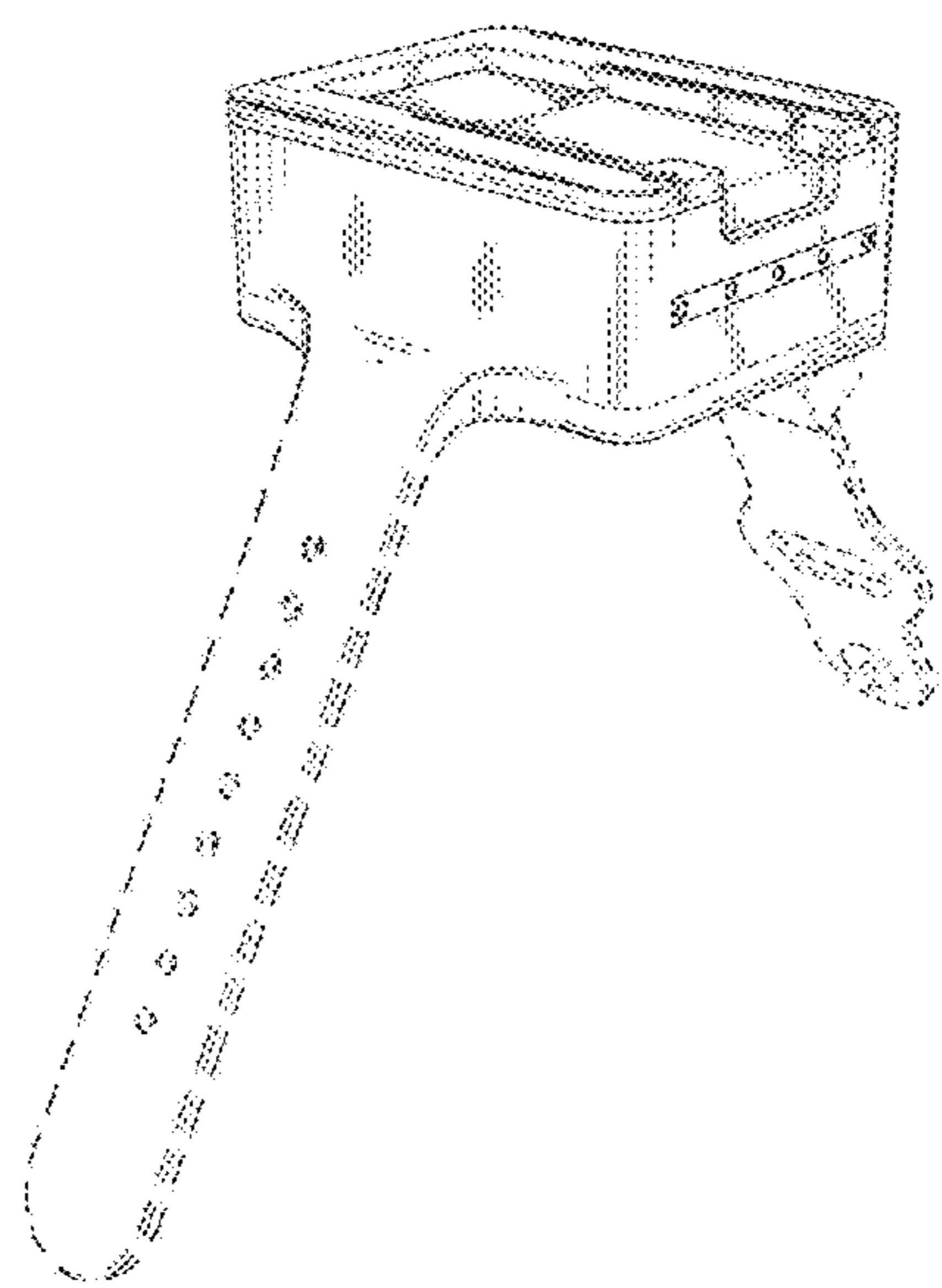
(56) **References Cited**  
U.S. PATENT DOCUMENTS  
1,740,060 A \* 12/1929 Baum ..... A44C 9/0069  
63/15  
D229,085 S \* 11/1973 Lutenegeger ..... D10/15  
D254,568 S \* 3/1980 Mack, Jr. .... D10/81  
D268,169 S \* 3/1983 DeChristopher ..... D10/32  
D277,465 S \* 2/1985 MacDonald ..... D10/106.1  
D285,288 S \* 8/1986 Chau ..... D10/32

D329,820 S \* 9/1992 Lawlor ..... D10/31  
D348,843 S \* 7/1994 De Sanctis ..... D10/18  
D366,849 S \* 2/1996 Wilkinson ..... D10/106.1  
D389,077 S \* 1/1998 Miranda, Jr. .... D10/106.1  
D596,610 S \* 7/2009 Hou ..... D10/32  
D610,025 S \* 2/2010 Jarvis ..... D10/38  
D638,324 S \* 5/2011 Tang ..... D10/128  
D662,586 S \* 6/2012 Coath ..... D24/110  
D716,815 S \* 11/2014 Van Hees ..... D14/420  
D736,652 S \* 8/2015 Isaacs ..... D10/32  
D774,659 S \* 12/2016 Quackenbush ..... D24/216  
D795,089 S \* 8/2017 Wright ..... D10/32  
D800,912 S \* 10/2017 Uzri ..... D24/216  
D807,213 S \* 1/2018 Williams ..... G01N 21/75  
D10/81  
D817,509 S \* 5/2018 McMullin ..... D24/216  
D827,838 S \* 9/2018 Lillquist ..... D24/186  
D828,189 S \* 9/2018 Benedetti ..... D10/70  
2009/0266368 A1 \* 10/2009 Garren ..... A61M 16/0488  
128/859  
2010/0262033 A1 \* 10/2010 Colman ..... A61M 16/0488  
600/532

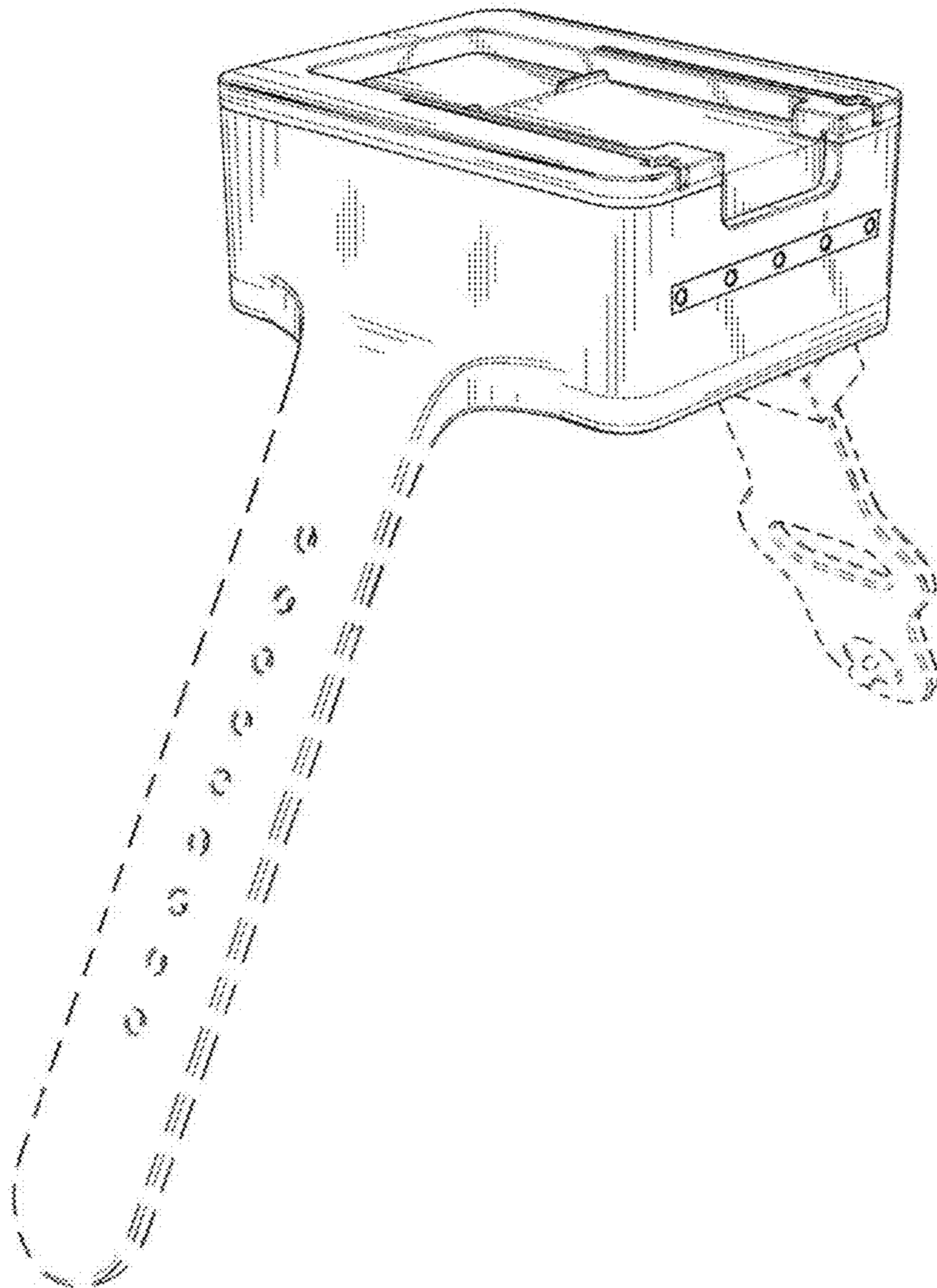
\* cited by examiner  
*Primary Examiner* — Robert M. Spear  
(74) *Attorney, Agent, or Firm* — Thomas | Horstemeyer, LLP

(57) **CLAIM**  
The ornamental design for a dental instrument, as shown and described.

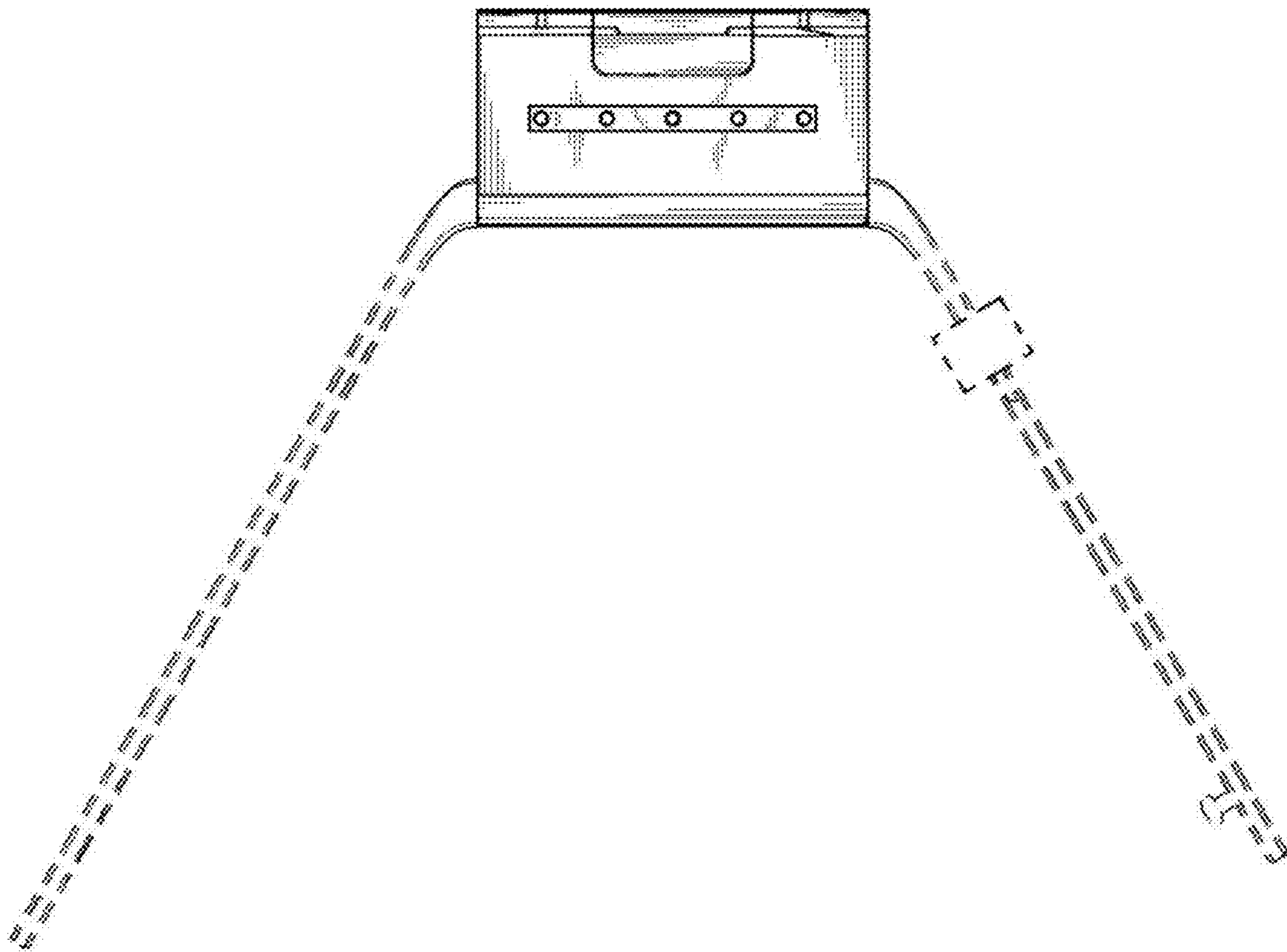
**DESCRIPTION**  
1. Dental instrument  
Dental instrument, particularly an endodontic device to be worn on a dentist's wrist; **1.1** is a perspective view; **1.2** is a right side view; **1.3** is a left side view; **1.4** is a front view; **1.5** is a rear view; **1.6** is a top view.  
**1 Claim, 6 Drawing Sheets**



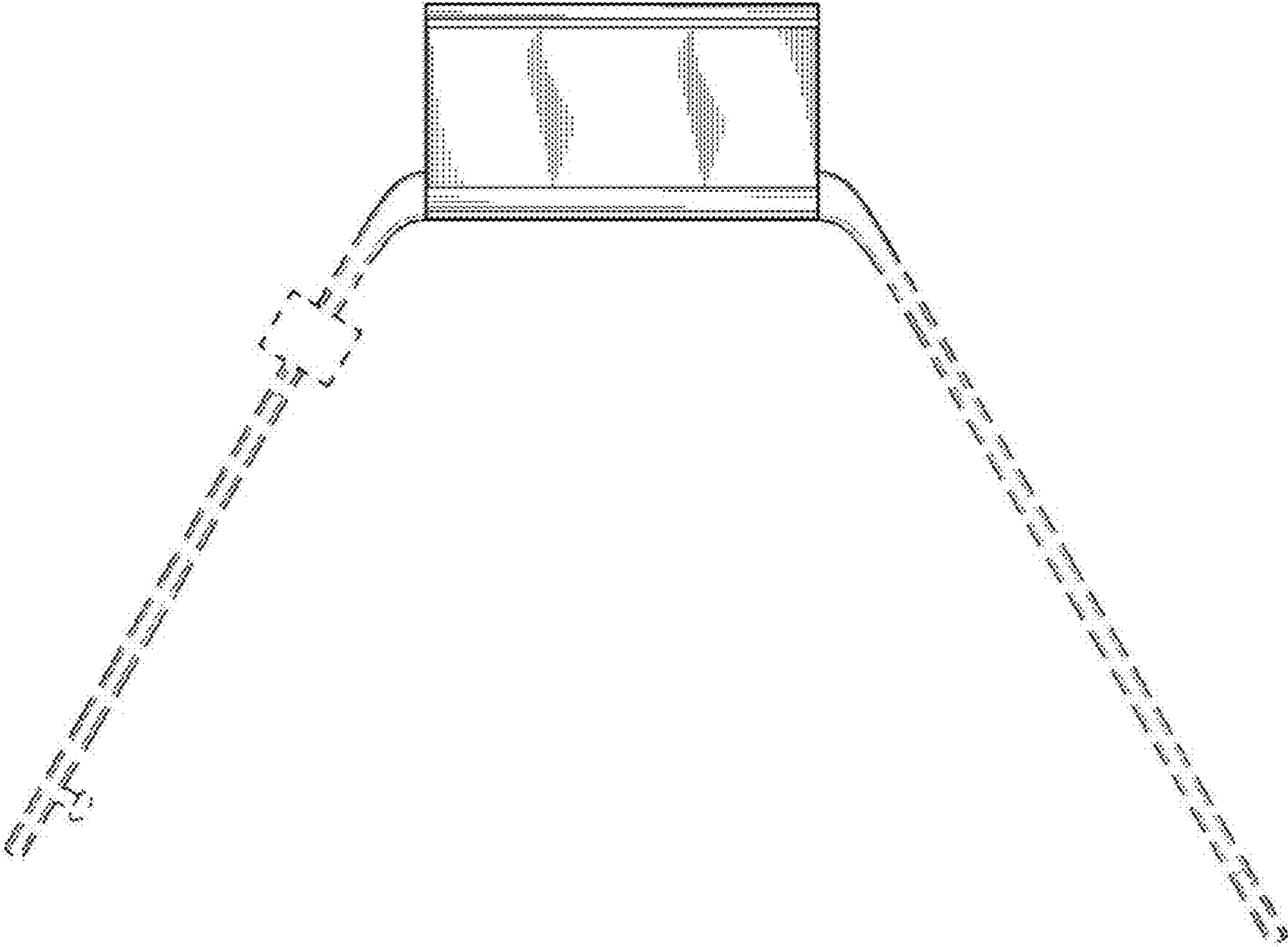
1.1



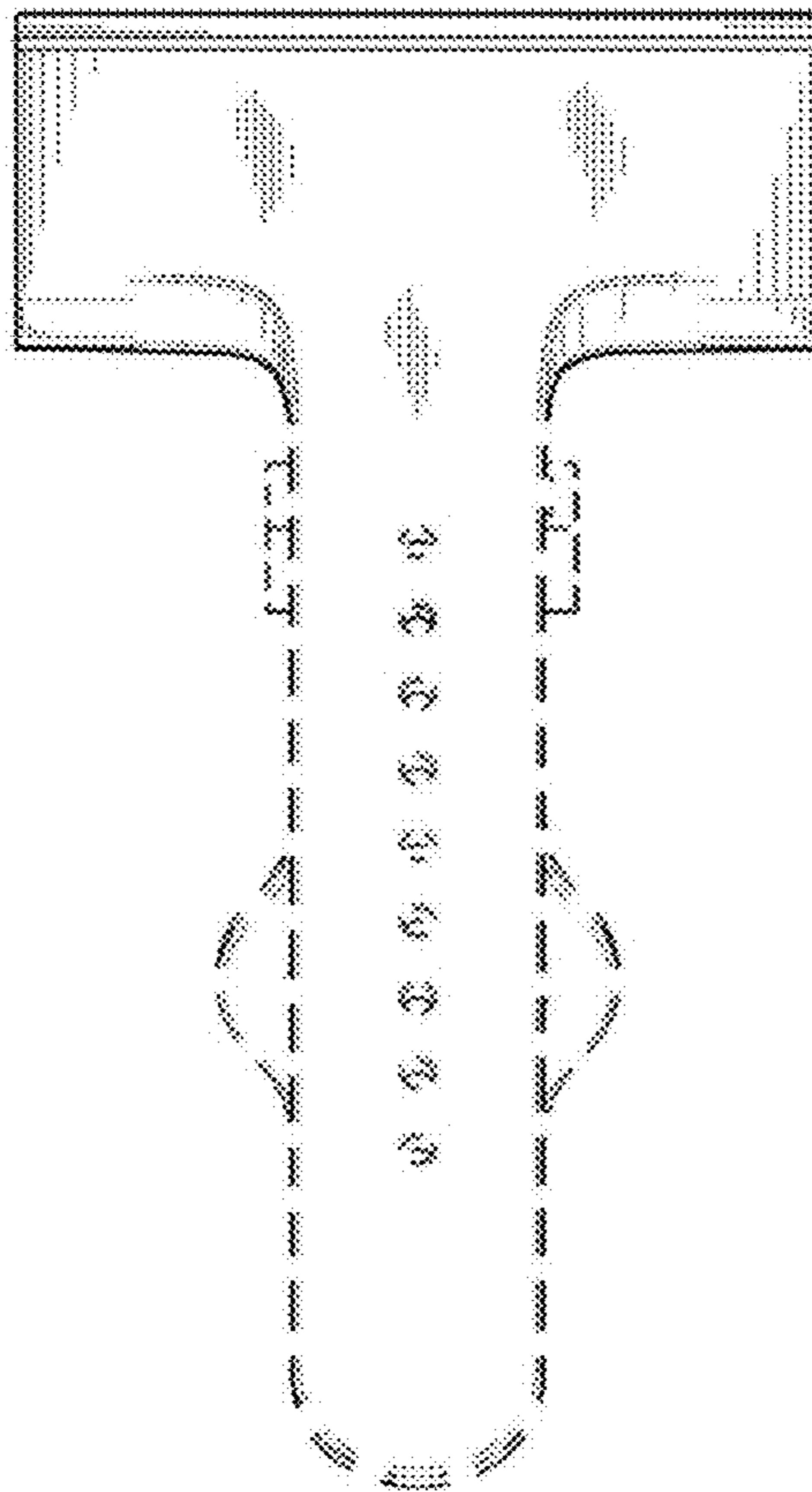
1.2



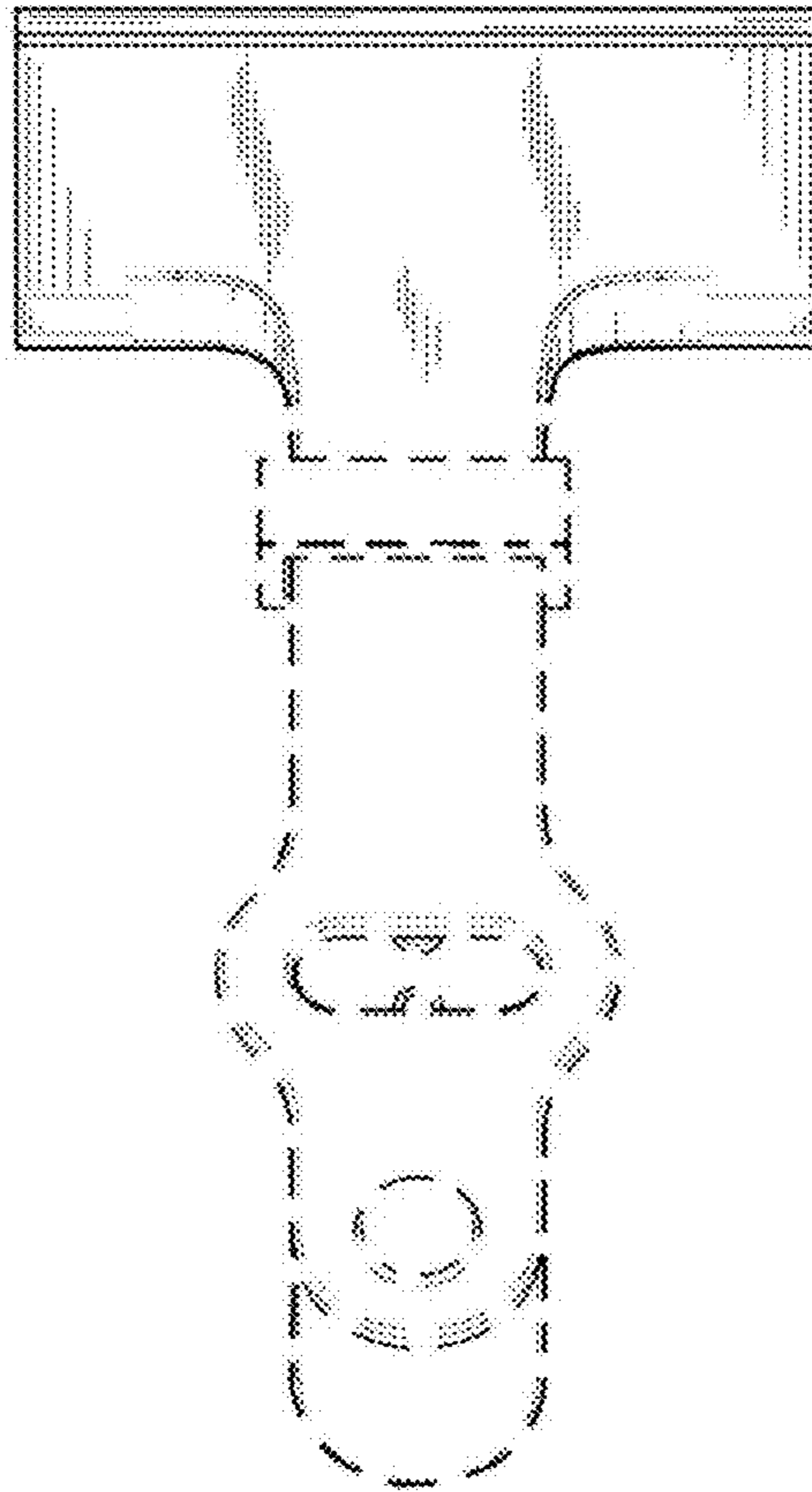
1.3



1.4



1.5



1.6

