



US00D840039S

(12) **United States Design Patent** (10) **Patent No.:** **US D840,039 S**
Sarig et al. (45) **Date of Patent:** **** Feb. 5, 2019**

(54) **DENTAL CONNECTOR**
(71) Applicant: **MIS Implants Technologies Ltd.,**
Doar-Na Misgav (IL)
(72) Inventors: **Dror Sarig,** Doar-Na Misgav (IL);
Thaer Sliman, Akko (IL)

D733,885 S * 7/2015 Andersin D24/156
D752,756 S * 3/2016 Aravena D24/156
D783,823 S * 4/2017 Emanuelli D24/156
D783,825 S * 4/2017 Emanuelli D24/156
D785,179 S * 4/2017 Emanuelli D24/156
D808,016 S * 1/2018 Kim D24/156

(Continued)

FOREIGN PATENT DOCUMENTS

(73) Assignee: **MIS Implants Technologies Ltd.,**
Doar-Na Misgav (IL)

CN 201244094 5/2009
WO WO 2017/090037 6/2017

(**) Term: **15 Years**

OTHER PUBLICATIONS

(21) Appl. No.: **29/616,216**

International Search Report and the Written Opinion dated Mar. 20, 2017 From the International Searching Authority Re. Application No. PCT/IL2016/051259. (11 Pages).

(22) Filed: **Sep. 5, 2017**

(Continued)

(51) **LOC (11) Cl.** **24-03**

(52) **U.S. Cl.**
USPC **D24/155**

(58) **Field of Classification Search**
USPC D24/155–157
CPC A61C 8/00; A61C 8/0089; A61C 8/0069;
A61C 8/0054; A61C 8/0096; A61C
8/0039; A61C 8/0063; A61C 8/006; A61C
8/0001; A61C 8/0012; A61C 8/0075;
A61C 8/0083; A61C 13/225

Primary Examiner — Charles D Hanson

(57) **CLAIM**

The ornamental design for a dental connector, as shown and described.

See application file for complete search history.

DESCRIPTION

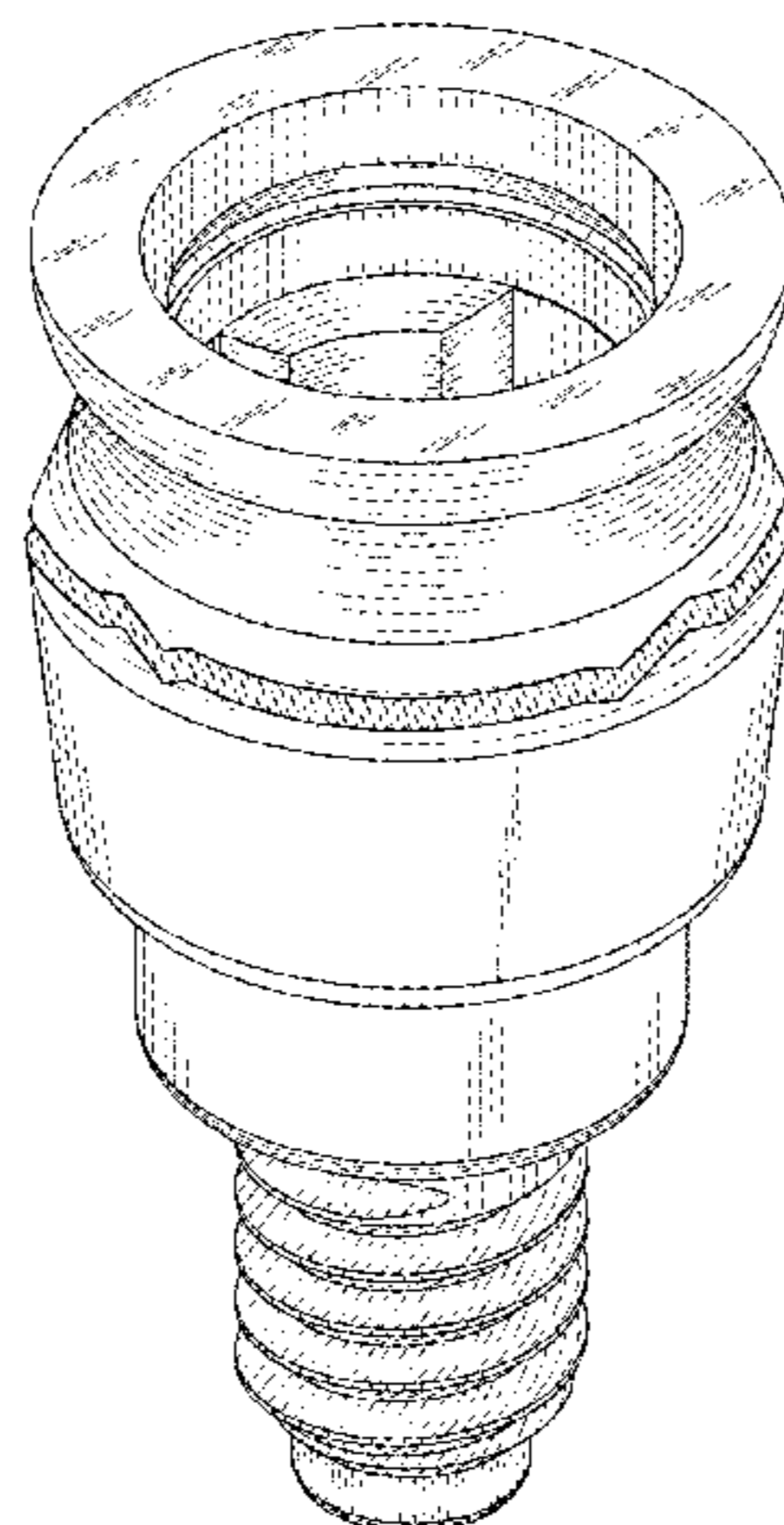
(56) **References Cited**

U.S. PATENT DOCUMENTS

5,125,840 A 6/1992 Dürr et al.
5,344,457 A 9/1994 Pilliar et al.
5,667,384 A 9/1997 Sutter et al.
5,829,977 A 11/1998 Rogers et al.
D414,556 S * 9/1999 Broberg D24/156
6,030,219 A 2/2000 Zuest
D507,650 S * 7/2005 Teich D24/156
D528,210 S * 9/2006 Boettcher D24/156
D604,413 S * 11/2009 Ikeya D24/156
D606,196 S * 12/2009 Fares D24/156
D663,032 S * 7/2012 Mashio D24/156
D663,419 S * 7/2012 Mashio D24/156

FIG. 1 is a front view of a dental connector, showing our new design;
FIG. 2 is a rear view of FIG. 1;
FIG. 3 is a left side view of FIG. 1;
FIG. 4 is a right side view of FIG. 1;
FIG. 5 is a bottom view of FIG. 1;
FIG. 6 is a top view of FIG. 1;
FIG. 7 is a perspective view of FIG. 1; and,
FIG. 8 is a cross-sectional view of the dental connector.
The claimed design is shown in solid lines in the drawings. The separations depicted by the break lines indicate an indeterminate length. Any portion of the article between the break lines forms no part of the claimed design.

1 Claim, 8 Drawing Sheets



(56)

References Cited

U.S. PATENT DOCUMENTS

2006/0183078 A1 8/2006 Niznick
2008/0227057 A1 9/2008 Anitua Aldecoa
2009/0298013 A1 12/2009 Baruc
2012/0202169 A1 8/2012 Ryu et al.
2014/0011160 A1 1/2014 Jorneus et al.
2014/0141387 A1 5/2014 Kikuchi
2014/0162212 A1 6/2014 Mullaly et al.
2015/0044635 A1 2/2015 Wang
2016/0270877 A1 9/2016 Richard
2016/0317254 A1 11/2016 Courvoisier et al.
2018/0116769 A1 5/2018 Seo et al.

OTHER PUBLICATIONS

Anthogyr “Axiom® Multi Level®—Total Compatibility Between the Bone Level and Tissue Level”, Product Description, 1 P., Oct. 3, 2016.

Notification of Office Action dated Feb. 22, 2018 From the State Intellectual Property Office of the People’s Republic of China Re. Application No. 201730565857.2 and Its Translation Into English. International Preliminary Report on Patentability dated Jun. 7, 2018 From the International Bureau of WIPO Re. Application No. PCT/IL2016/051259. (7 Pages).

Invitation to Pay Additional Fees, Communication Relating to the Results of the Partial International Search and the Provisional Opinion dated Aug. 22, 2018 From the International Searching Authority Re. Application No. PCT/IL2018/050502. (15 pages).

Official Action dated Oct. 16, 2018 From the U.S. Patent and Trademark Office Re. U.S. Appl. No. 15/978,237. (22 pages).

* cited by examiner

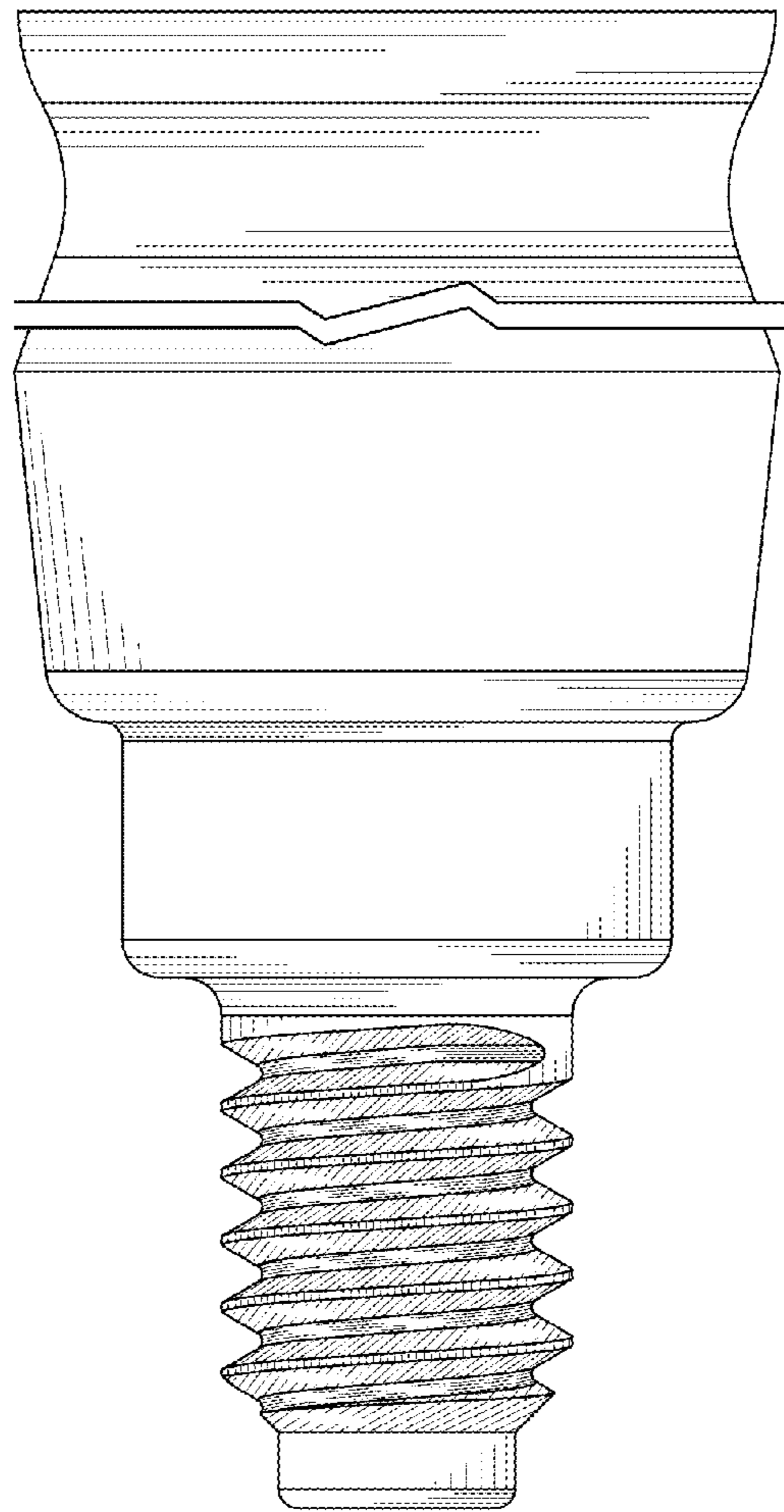


FIG. 1

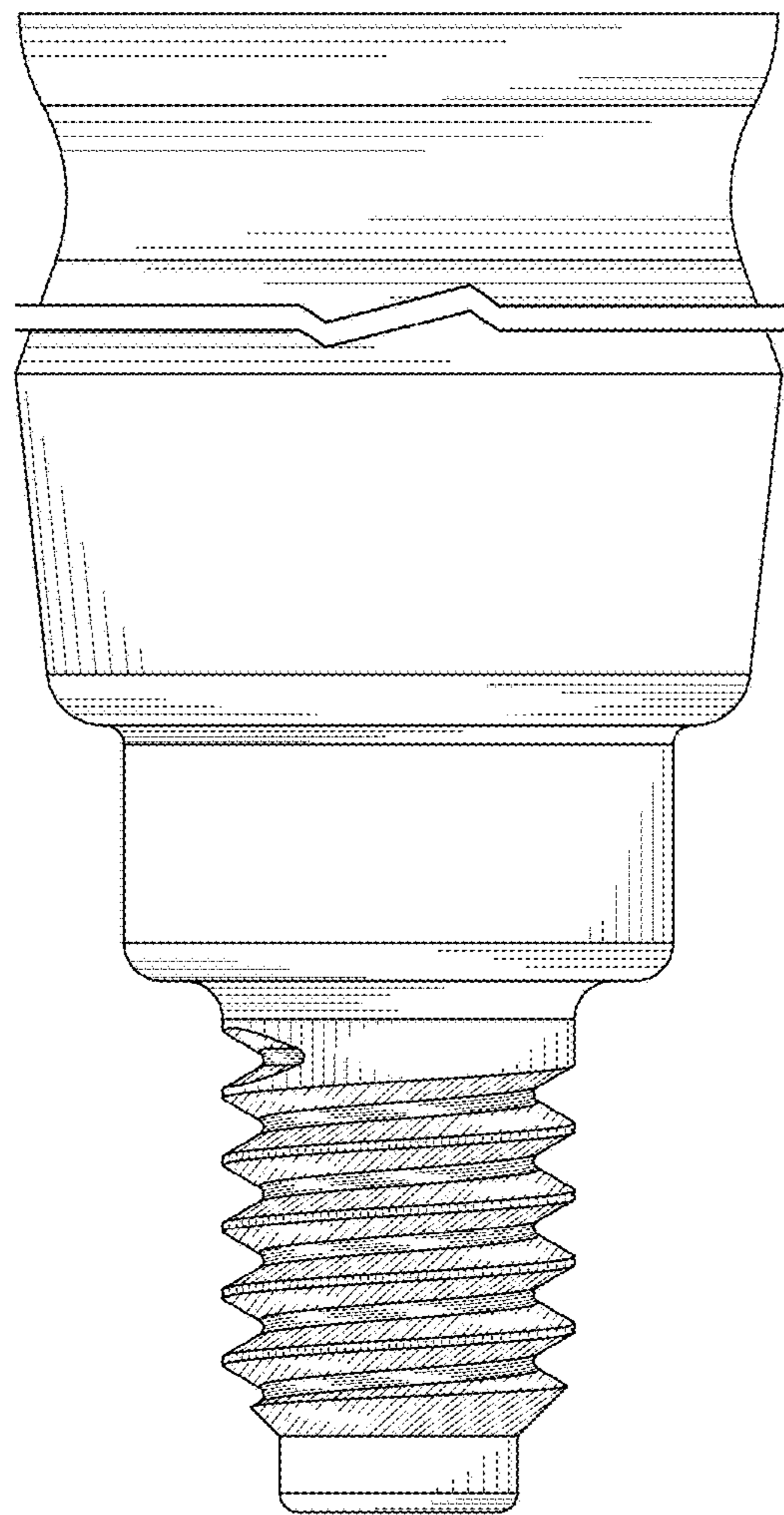


FIG. 2

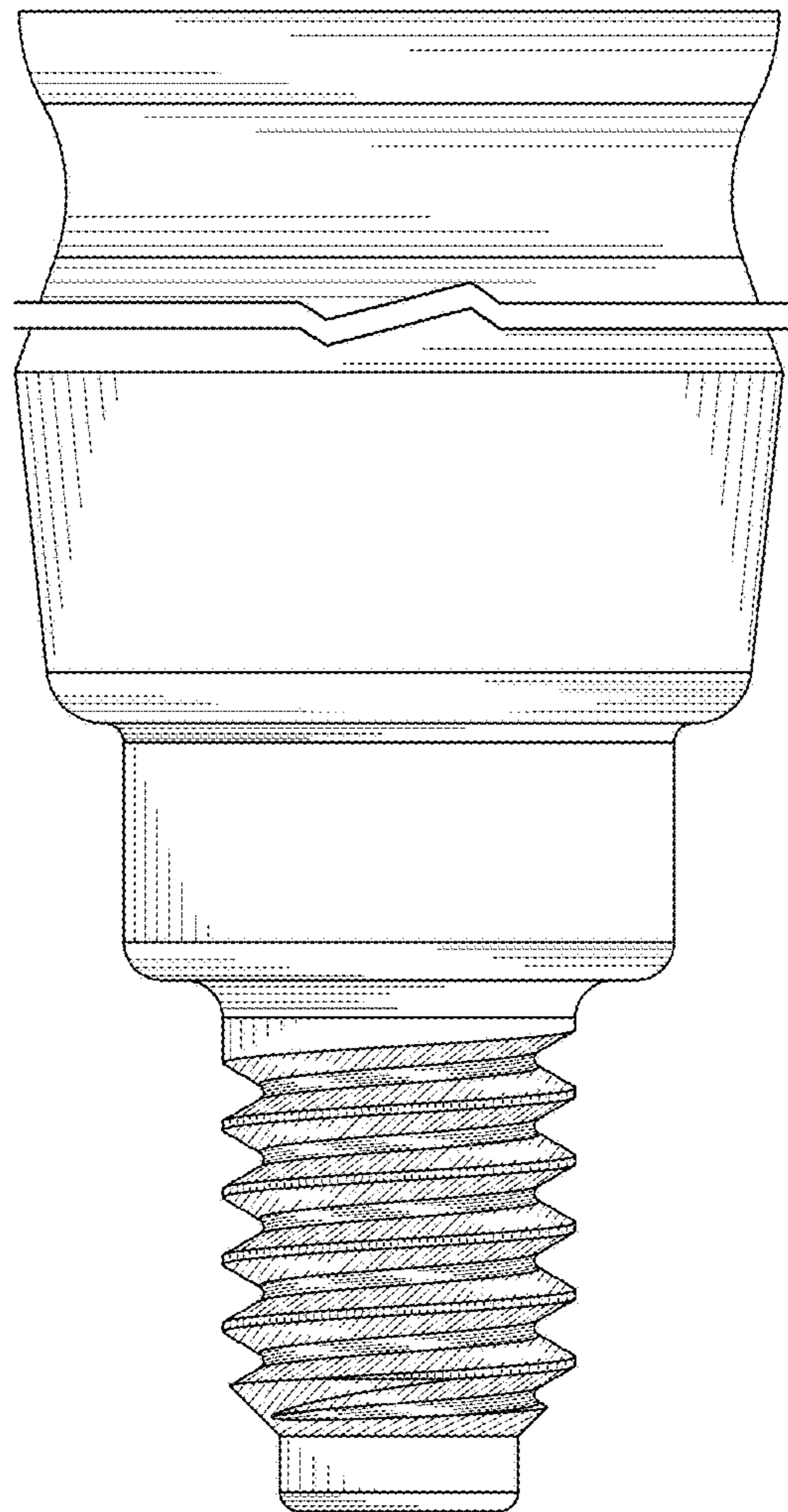


FIG. 3

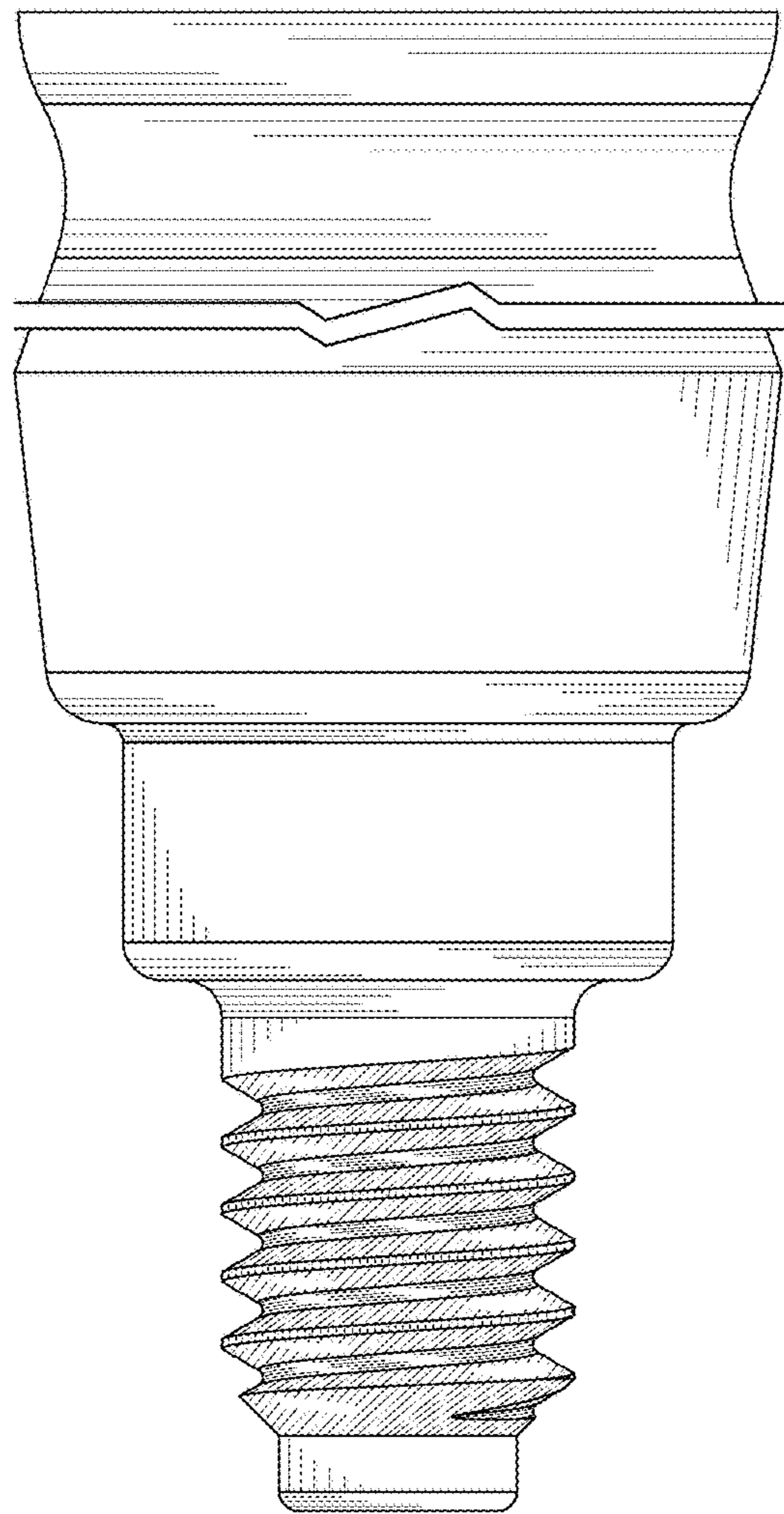


FIG. 4

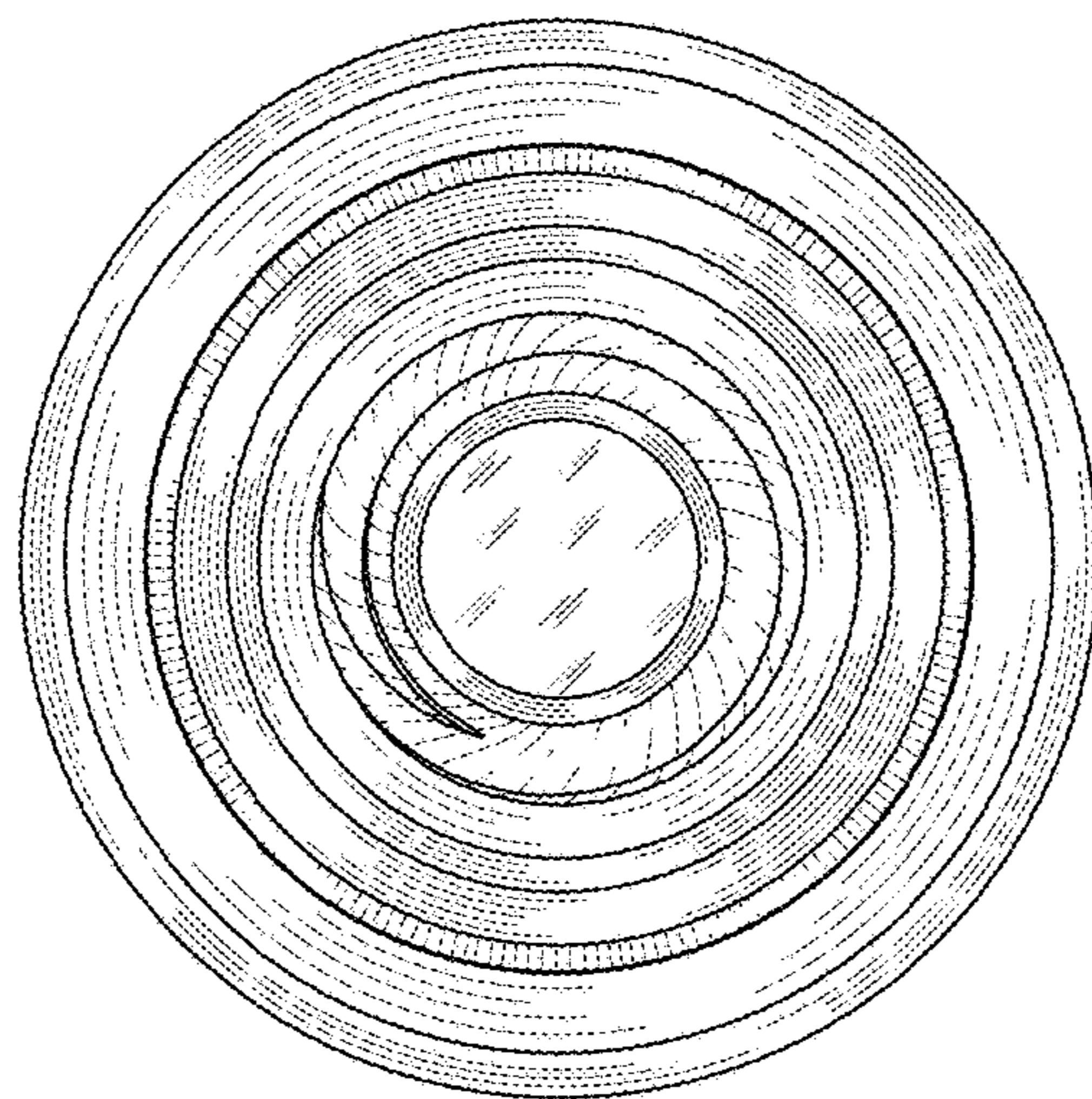


FIG. 5

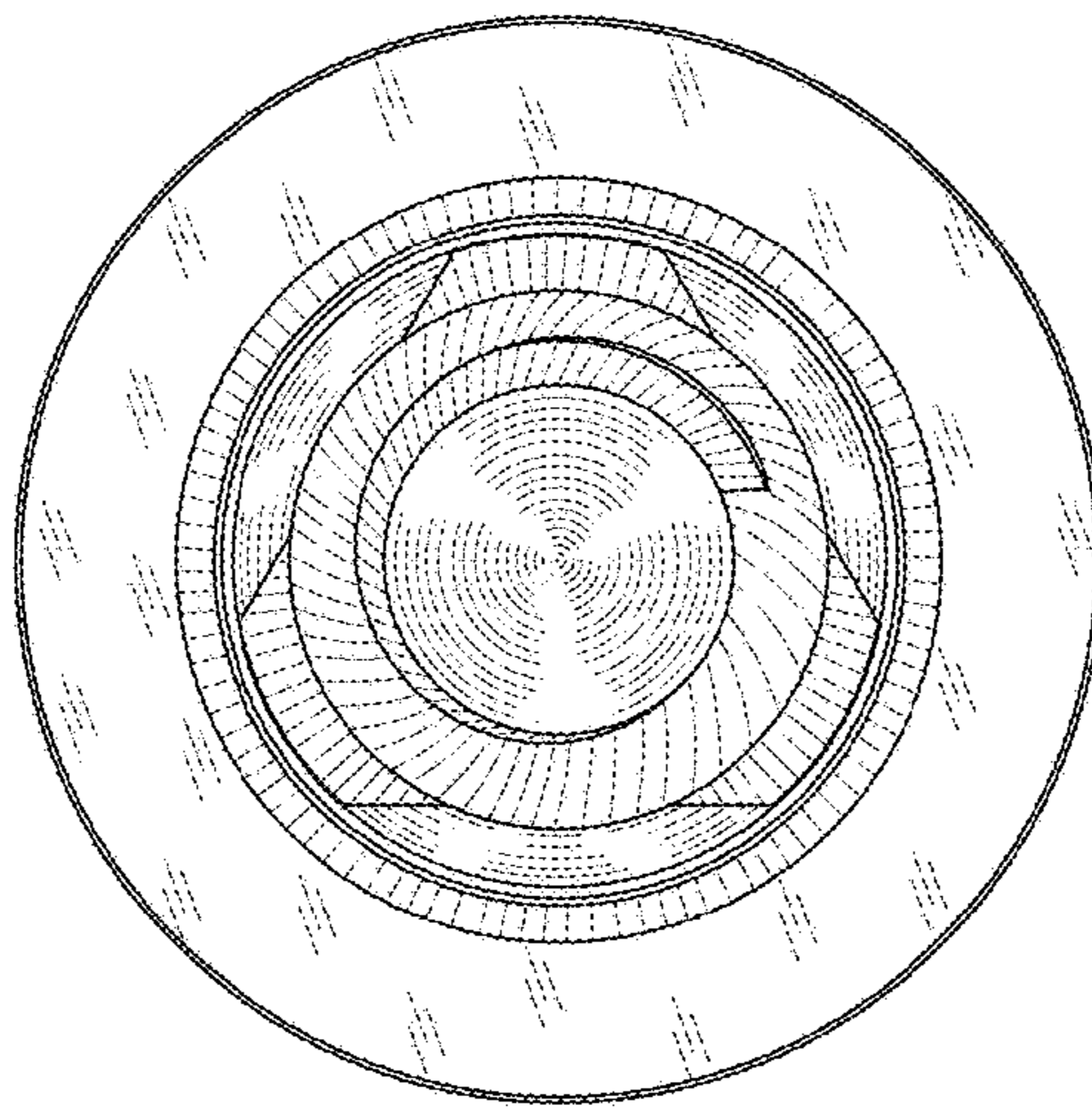


FIG. 6

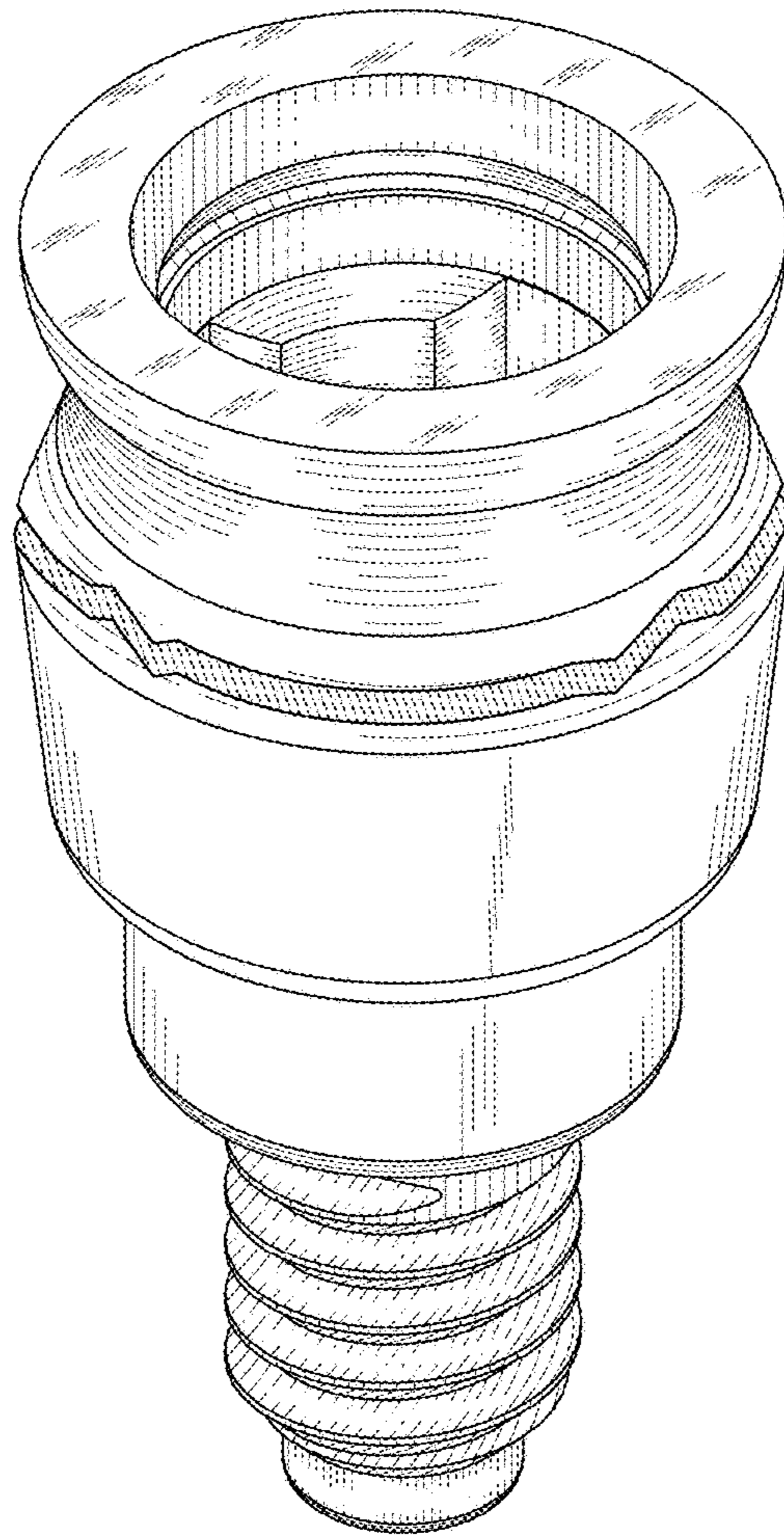


FIG. 7

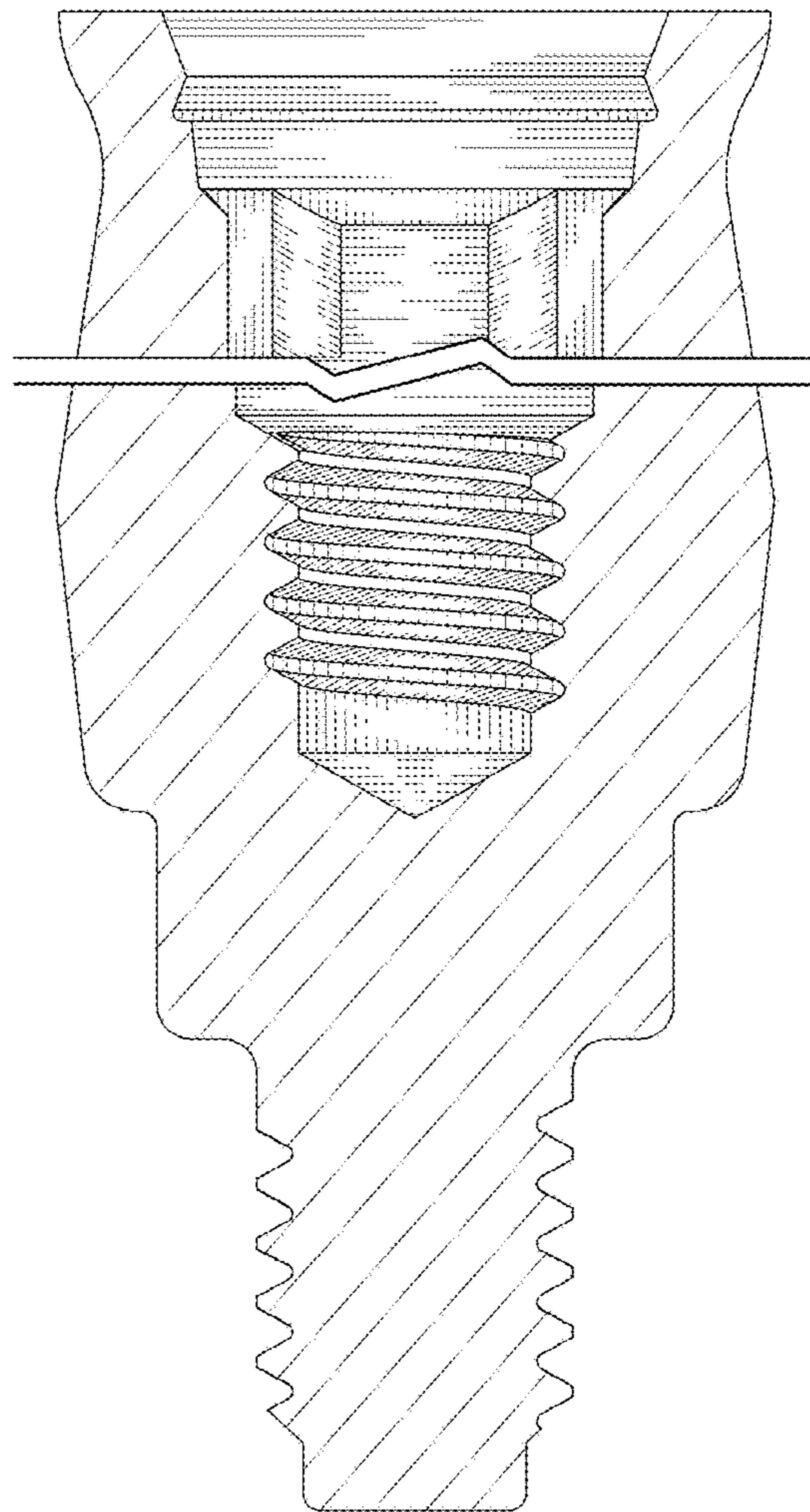


FIG. 8