



US00D840038S

(12) **United States Design Patent** (10) **Patent No.:** **US D840,038 S**  
**Sarig et al.** (45) **Date of Patent:** **\*\* Feb. 5, 2019**

(54) **DENTAL CONNECTOR** D733,885 S \* 7/2015 Andersin ..... D24/156  
D752,756 S \* 3/2016 Aravena ..... D24/156  
(71) Applicant: **MIS Implants Technologies Ltd.,** D783,823 S \* 4/2017 Emanuelli ..... D24/156  
Doar-Na Misgav (IL) D783,825 S \* 4/2017 Emanuelli ..... D24/156  
D785,179 S \* 4/2017 Emanuelli ..... D24/156

(72) Inventors: **Dror Sarig,** Doar-Na Misgav (IL);  
**Thaer Sliman,** Akko (IL)

(73) Assignee: **MIS Implants Technologies Ltd.,**  
Doar-Na Misgav (IL)

(\*\*) Term: **15 Years**

(21) Appl. No.: **29/616,215**

(22) Filed: **Sep. 5, 2017**

(51) **LOC (11) Cl.** ..... **24-03**

(52) **U.S. Cl.**  
USPC ..... **D24/155**

(58) **Field of Classification Search**  
USPC ..... D24/155-157  
CPC ..... A61C 8/00; A61C 8/0089; A61C 8/0069;  
A61C 8/0054; A61C 8/0096; A61C  
8/0039; A61C 8/0063; A61C 8/006; A61C  
8/0001; A61C 8/0012; A61C 8/0075;  
A61C 8/0083; A61C 13/225  
See application file for complete search history.

(56) **References Cited**

**U.S. PATENT DOCUMENTS**

5,125,840	A	6/1992	Duff et al.	
5,344,457	A	9/1994	Pilliar et al.	
5,667,384	A	9/1997	Sutter et al.	
5,829,977	A	11/1998	Rogers et al.	
D414,556	S *	9/1999	Broberg	D24/156
6,030,219	A	2/2000	Zuest	
D507,650	S *	7/2005	Teich	D24/156
D528,210	S *	9/2006	Boettcher	D24/156
D604,413	S *	11/2009	Ikeya	D24/156
D606,196	S *	12/2009	Fares	D24/156
D663,032	S *	7/2012	Mashio	D24/156
D663,419	S *	7/2012	Mashio	D24/156

**FOREIGN PATENT DOCUMENTS**

CN	201244094	5/2009
WO	WO 2017/090037	6/2017

**OTHER PUBLICATIONS**

Notification of Office Action dated Feb. 22, 2018 From the State Intellectual Property Office of the People's Republic of China Re. Application No. 201730565857.2 and Its Translation Into English.

(Continued)

*Primary Examiner* — Charles D Hanson

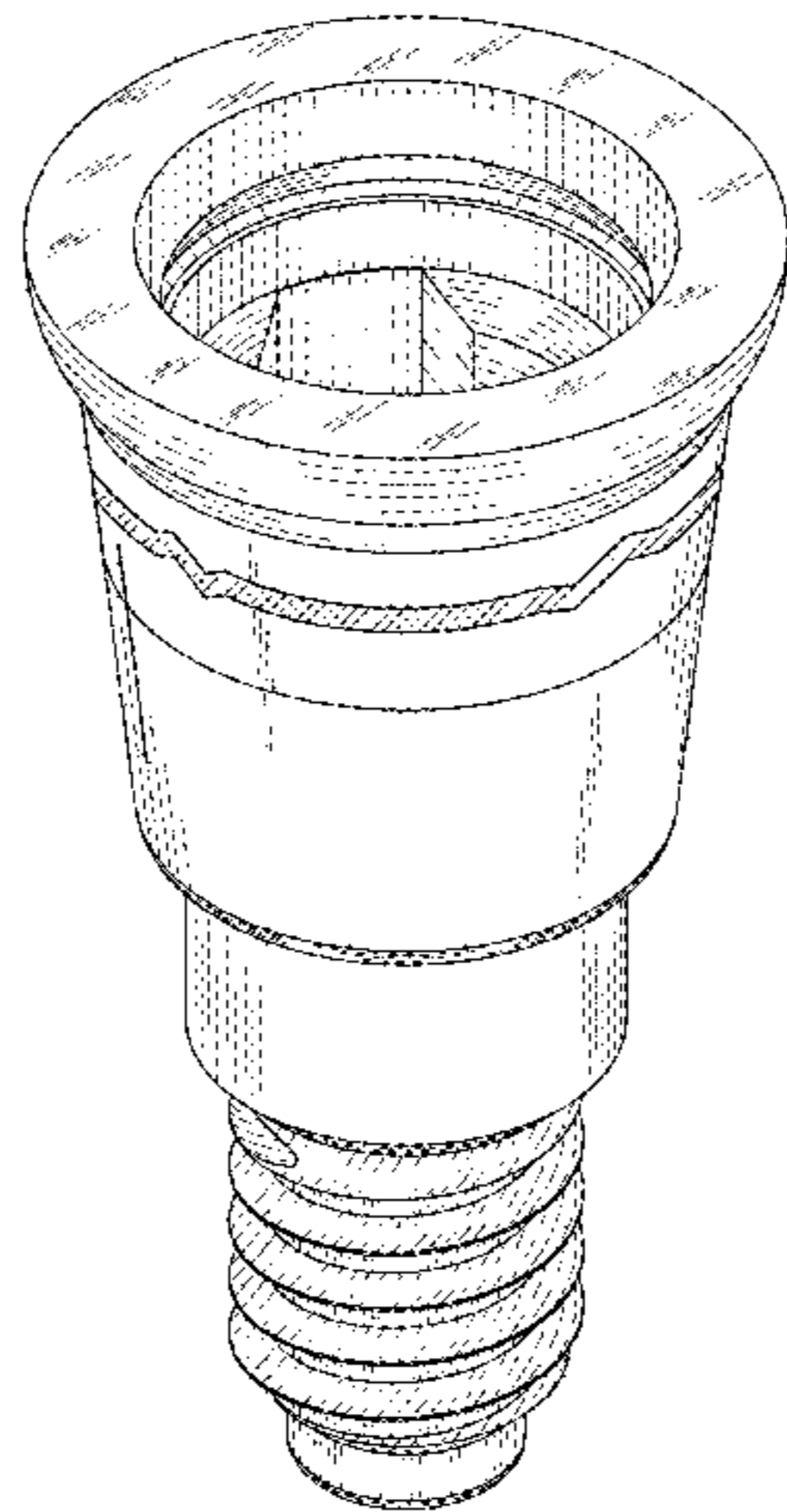
(57) **CLAIM**

The ornamental design for a dental connector, as shown and described.

**DESCRIPTION**

FIG. 1 is a front view of a dental connector, showing our new design;  
FIG. 2 is a rear view of FIG. 1;  
FIG. 3 is a left side view of FIG. 1;  
FIG. 4 is a right side view of FIG. 1;  
FIG. 5 is a bottom view of FIG. 1;  
FIG. 6 is a top view of FIG. 1;  
FIG. 7 is a perspective view of FIG. 1; and,  
FIG. 8 is a cross-sectional view of the dental connector.  
The claimed design is shown in solid lines in the drawings. The separations depicted by the break lines indicate an indeterminate length. Any portion of the article between the break lines forms no part of the claimed design.

**1 Claim, 8 Drawing Sheets**



(56)

**References Cited**

U.S. PATENT DOCUMENTS

D808,016 S *	1/2018	Kim .....	D24/156
2006/0183078 A1	8/2006	Niznick	
2008/0227057 A1	9/2008	Anitua Aldecoa	
2009/0298013 A1	12/2009	Baruc	
2012/0202169 A1	8/2012	Ryu et al.	
2014/0011160 A1	1/2014	Jorneus et al.	
2014/0141387 A1	5/2014	Kikuchi	
2014/0162212 A1	6/2014	Mullaly et al.	
2015/0044635 A1	2/2015	Wang	
2016/0270877 A1	9/2016	Richard	
2016/0317254 A1	11/2016	Courvoisier et al.	
2018/0116769 A1	5/2018	Seo et al.	

OTHER PUBLICATIONS

International Search Report and the Written Opinion dated Mar. 20, 2017 From the International Searching Authority Re. Application No. PCT/IL2016/051259. (11 Pages).

International Preliminary Report on Patentability dated Jun. 7, 2018 From the International Bureau of WIPO Re. Application.No. PCT/IL2016/051259. (7 Pages).

Anthogyr “Axiom® Multi Level®—Total Compatibility Between the Bone Level and Tissue Level”, Product Description, 1 P., Oct. 3, 2016.

Invitation to Pay Additional Fees, Communication Relating to the Results of the Partial International Search and the Provisional Opinion dated Aug. 22, 2018 From the International Searching Authority Re. Application No. PCT/IL2018/050502. (15 Pages).

Official Action dated Oct. 16, 2018 From the US Patent and Trademark Office Re. U.S. Appl. No. 15/978,237. (22 pages).

\* cited by examiner

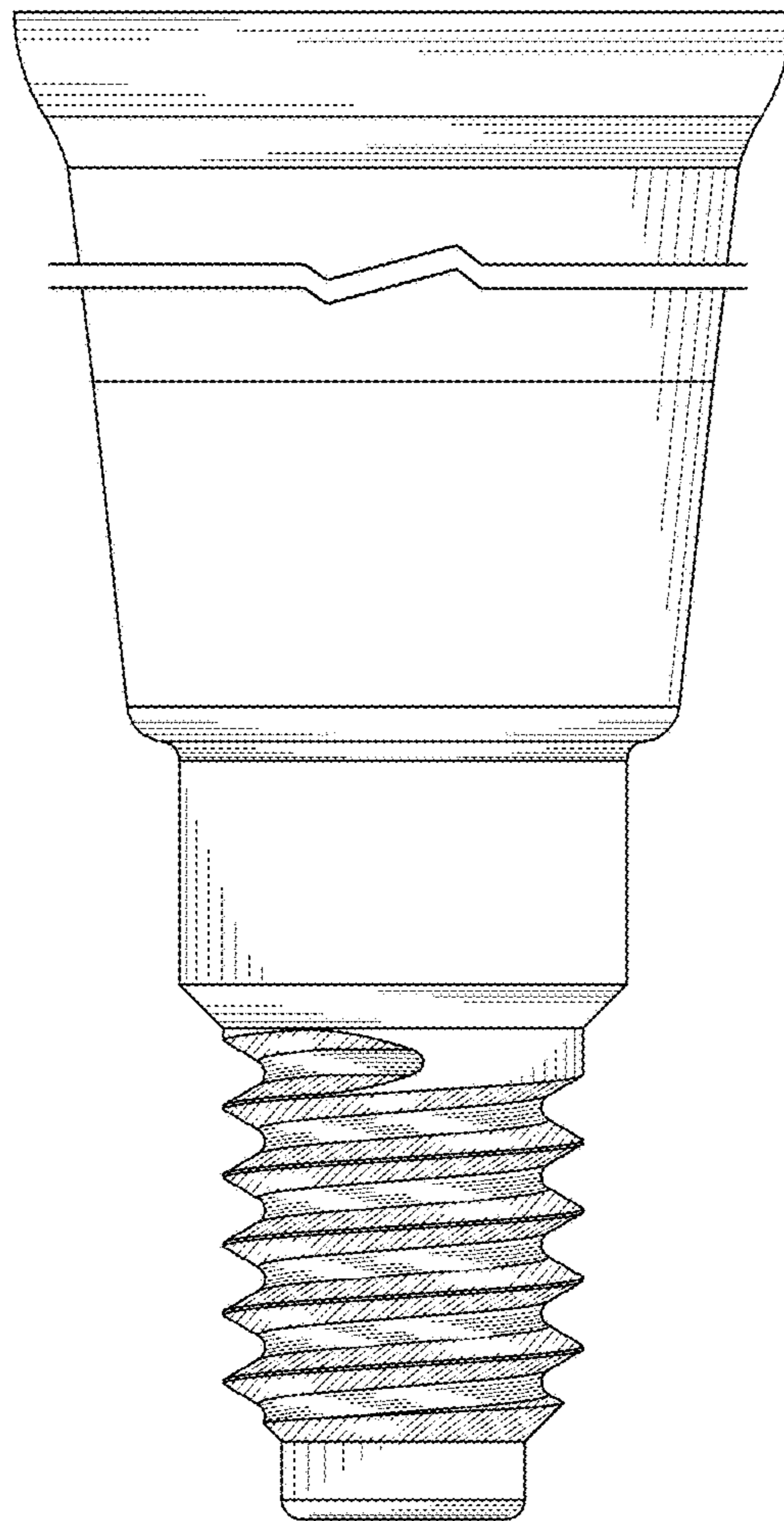


FIG. 1

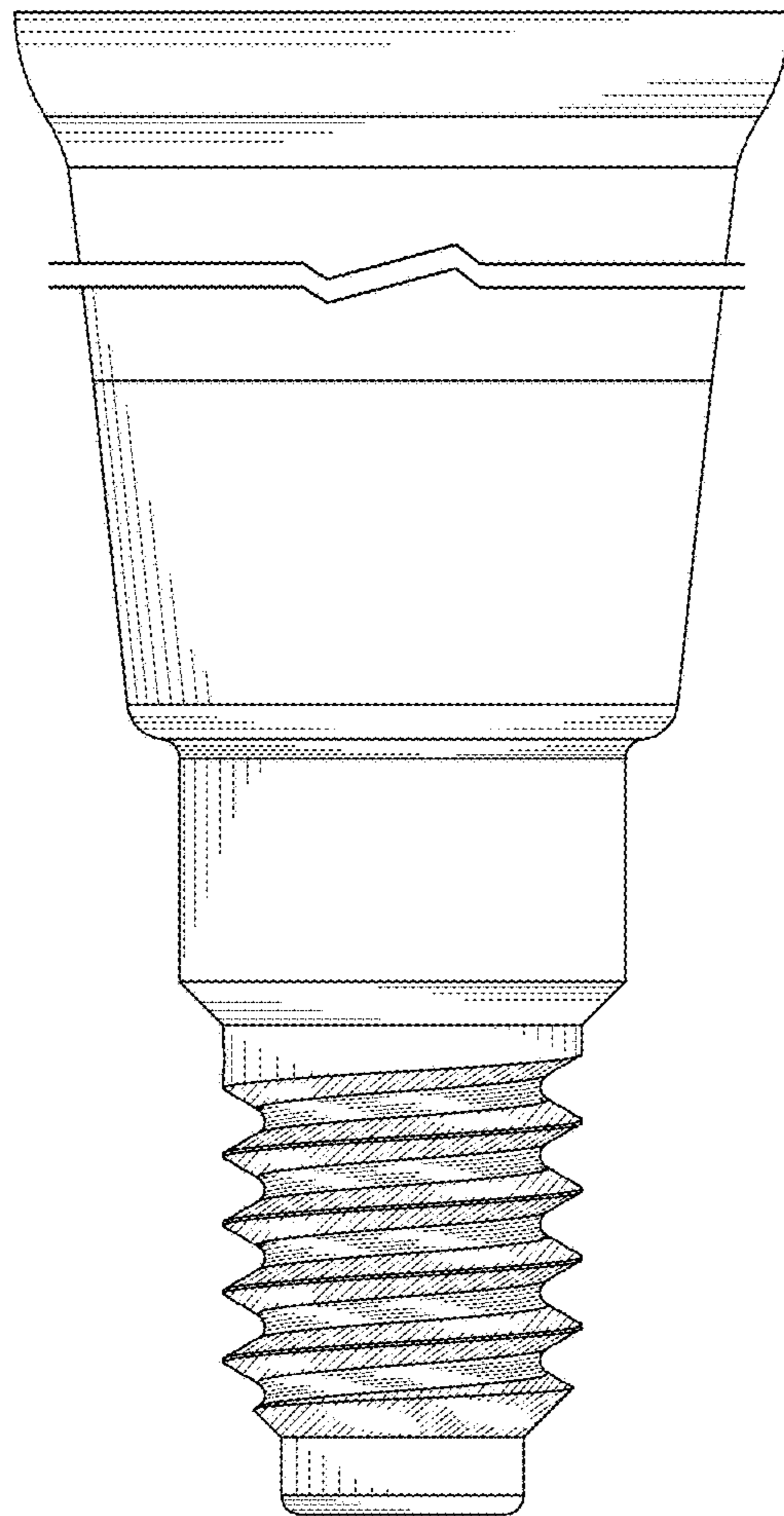


FIG. 2

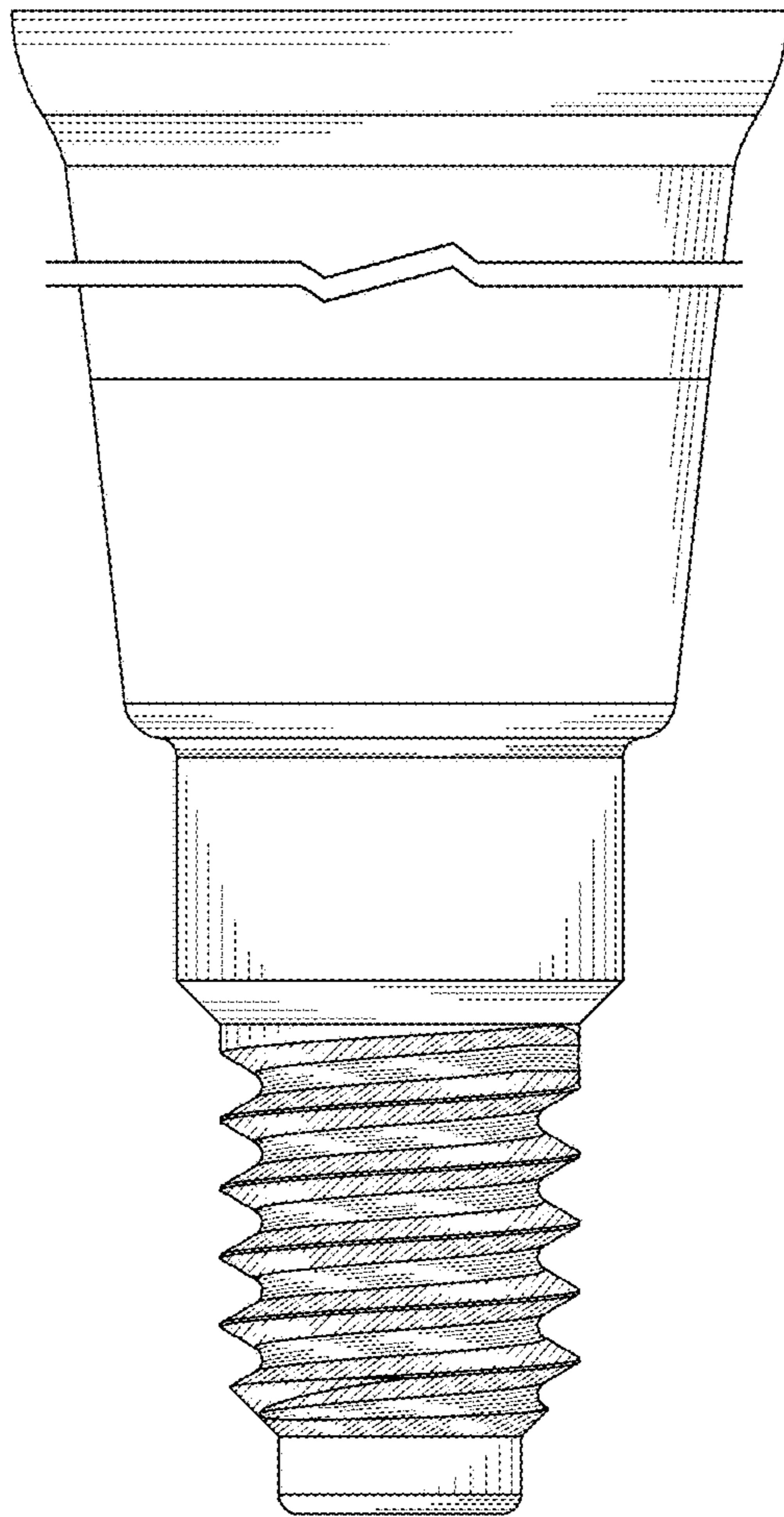


FIG. 3



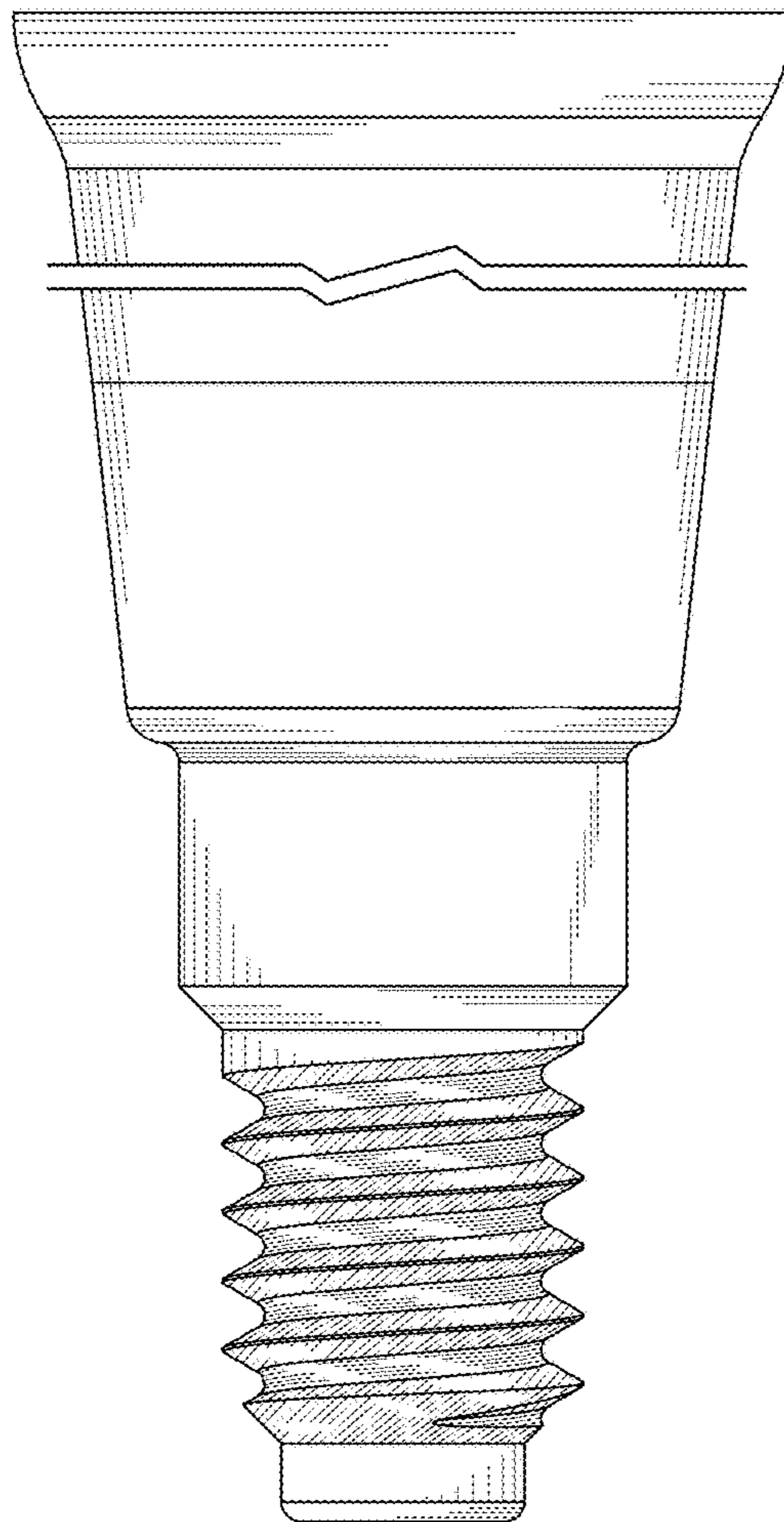


FIG. 4

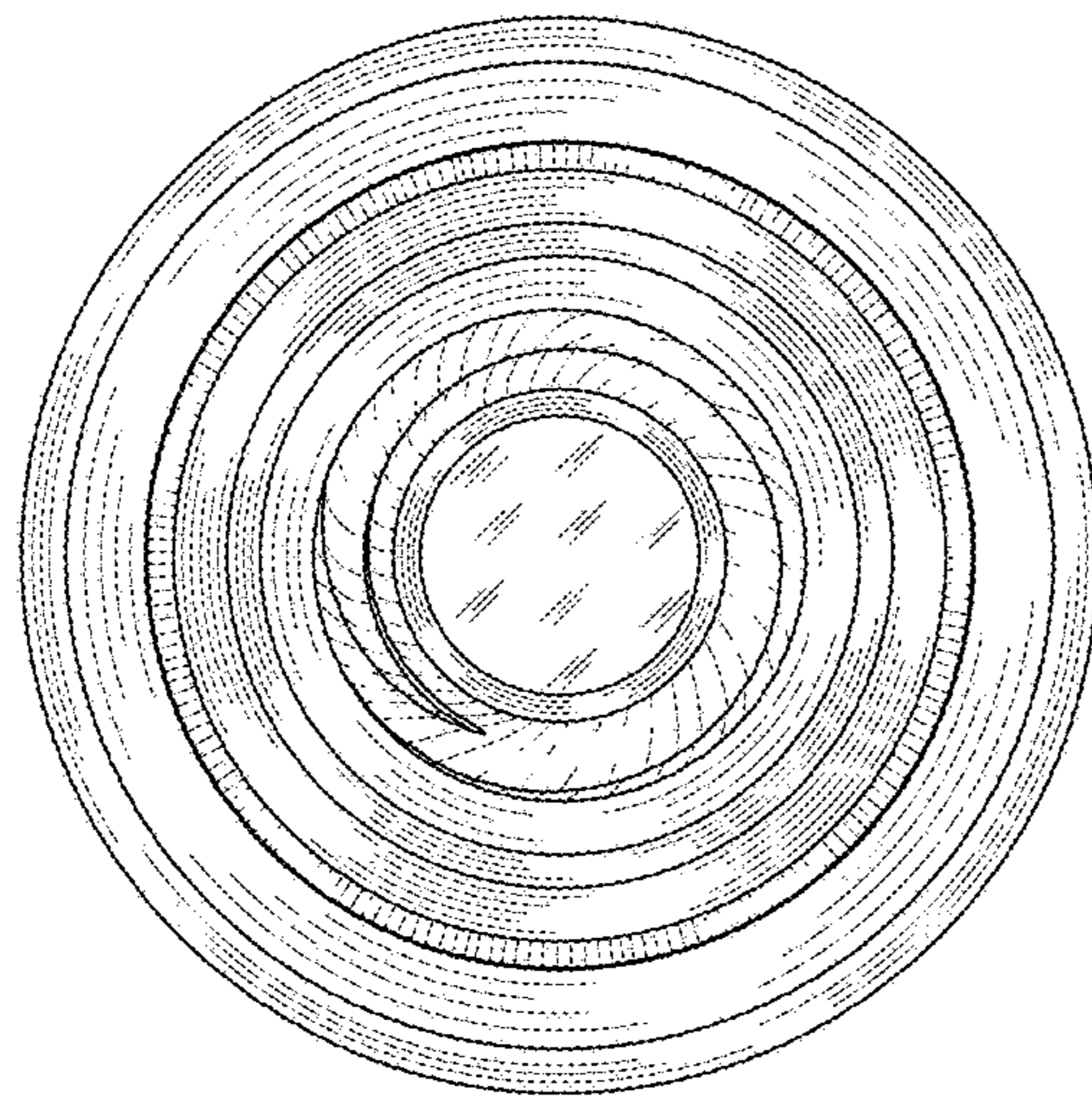


FIG. 5

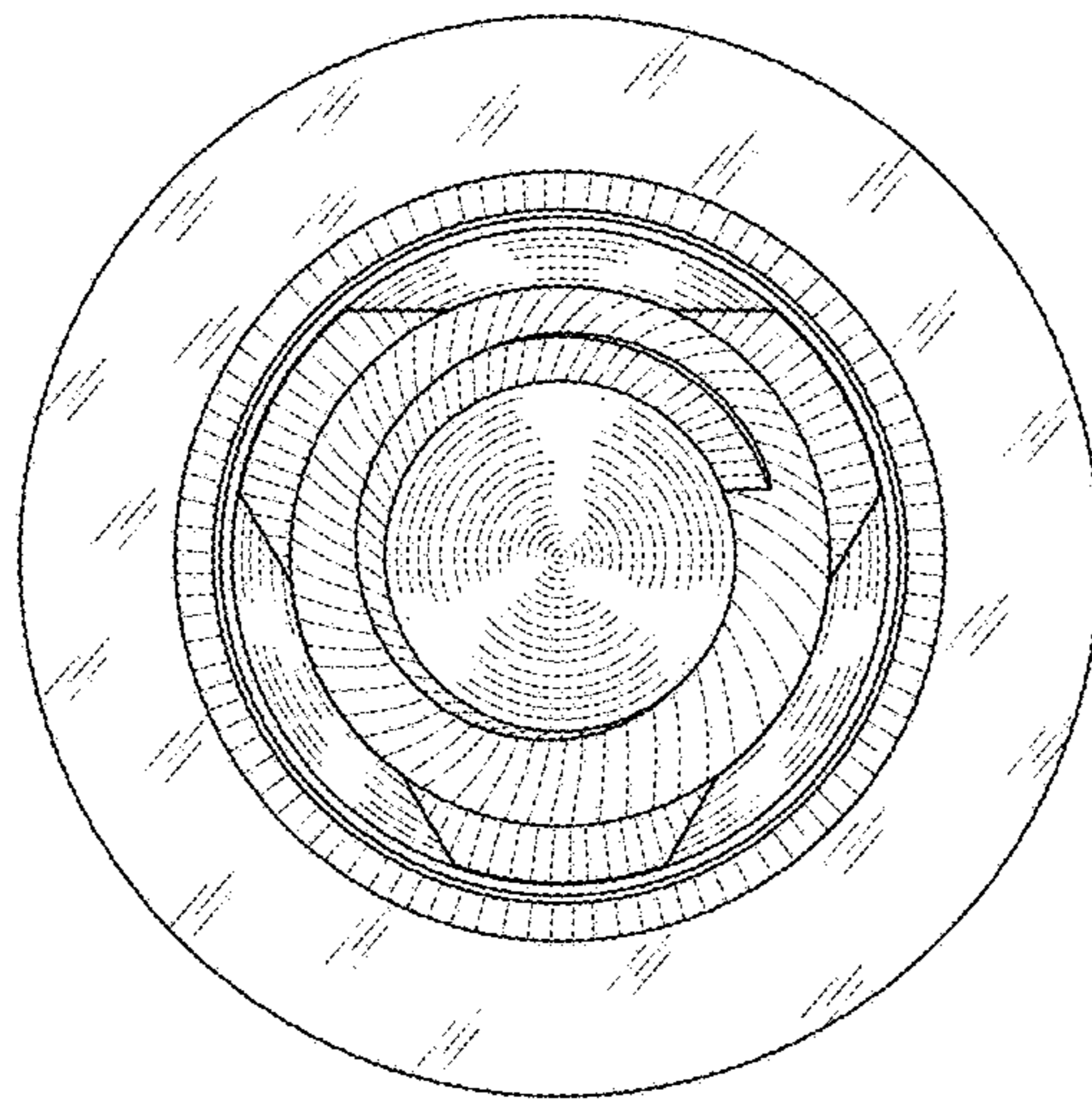


FIG. 6



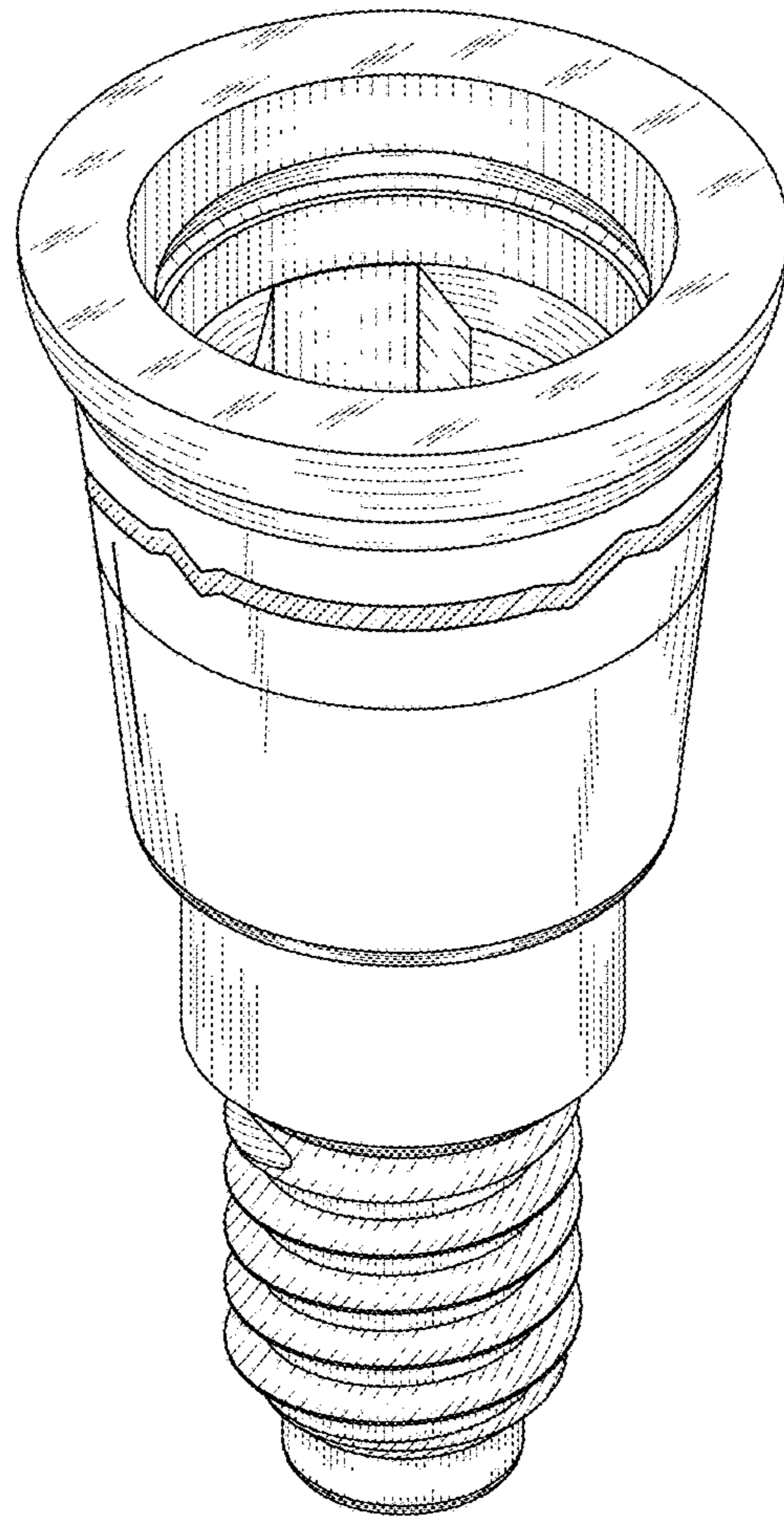


FIG. 7

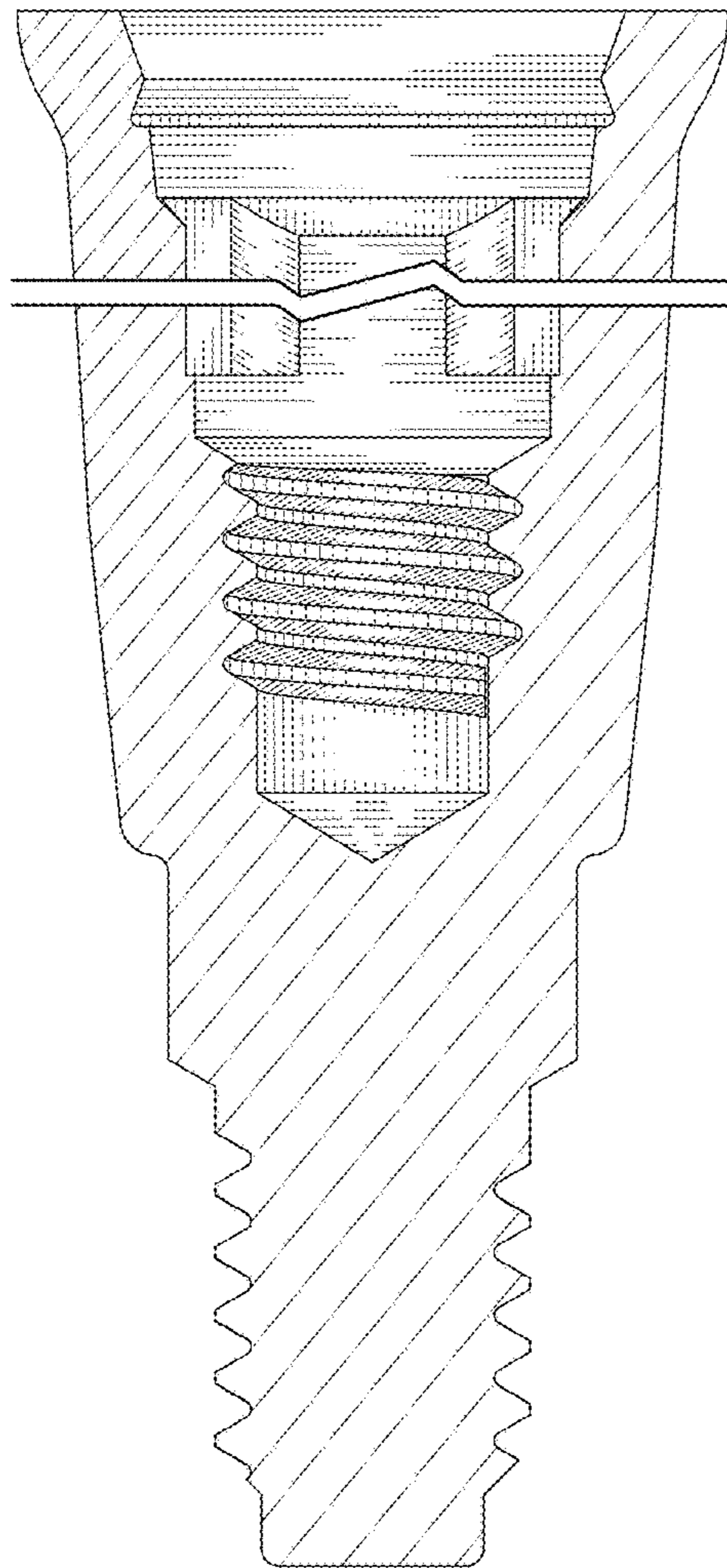


FIG. 8