

US00D840036S

(12) **United States Design Patent** (10) **Patent No.:** **US D840,036 S**
Jones et al. (45) **Date of Patent:** **** Feb. 5, 2019**

(54) **INTERBODY FUSION IMPLANT**

(71) Applicant: **HD LifeSciences LLC**, Woburn, MA (US)

(72) Inventors: **Christopher L. Jones**, Malden, MA (US); **Ian Helmar**, Beverly, MA (US); **Lucas Diehl**, Beverly, MA (US); **Jason Tinley**, Fort Worth, TX (US); **Kevin D. Chappuis**, Malden, MA (US); **John F. Sullivan**, Pelham, NH (US)

(73) Assignee: **HD LifeSciences LLC**, Woburn, MA (US)

(**) Term: **15 Years**

(21) Appl. No.: **29/613,161**

(22) Filed: **Aug. 8, 2017**

(51) **LOC (11) Cl.** **24-03**

(52) **U.S. Cl.**
USPC **D24/155**

(58) **Field of Classification Search**
USPC D24/155
CPC A61F 2/4611; A61F 2/442; A61F 2/447; A61F 2220/0025; A61F 2310/00023; A61F 2310/00017; A61F 2002/4475; A61F 2002/30841; A61F 2002/2835; A61F 2002/30904; A61F 2002/30785; A61F 2002/443; A61F 2002/30578

See application file for complete search history.

(56) **References Cited**

U.S. PATENT DOCUMENTS

D626,233 S *	10/2010	Cipoletti	A61F 2/447 D24/155
D653,757 S *	2/2012	Binder	A61F 2/446 D24/155
D737,446 S *	8/2015	Butler	A61F 2/4455 D24/155
D750,249 S *	2/2016	Grimberg, Jr.	D24/155
D789,539 S *	6/2017	Kleiner	D24/155
D816,844 S *	5/2018	Ricca	D24/155

* cited by examiner

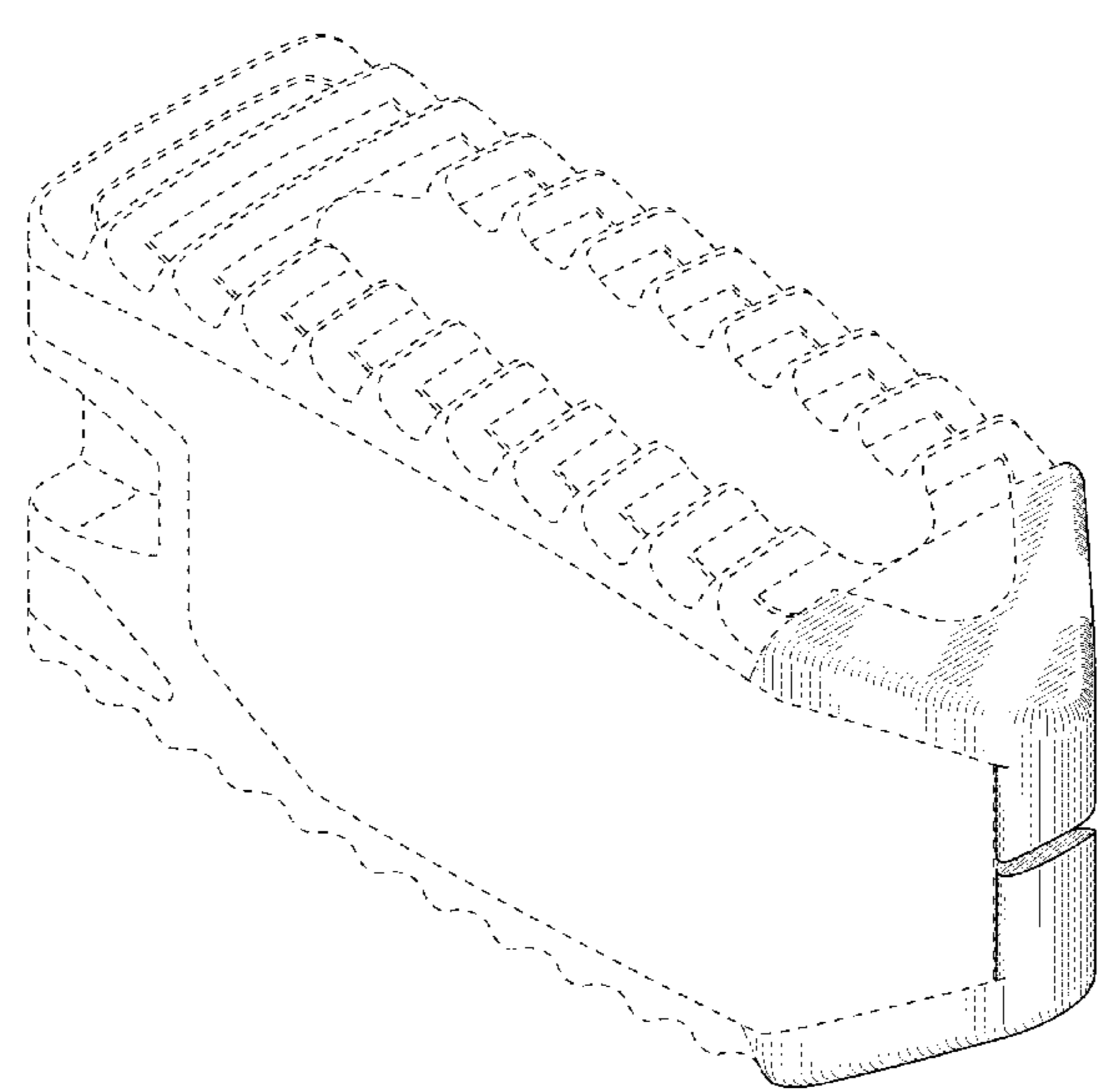
Primary Examiner — Charles D Hanson
 (74) *Attorney, Agent, or Firm* — Law Offices of Daniel A. Tesler, LLC

(57) **CLAIM**
 The ornamental design for an interbody fusion implant, as shown and described.

DESCRIPTION

FIG. 1 is a perspective view of the interbody fusion implant, showing my new design;
 FIG. 2 is a front view thereof;
 FIG. 3 is a rear view thereof;
 FIG. 4 is a left side view thereof;
 FIG. 5 is a right side view thereof;
 FIG. 6 is a top plan view thereof; and,
 FIG. 7 is a bottom plan view thereof.
 The broken line portions are included to show unclaimed subject matter only and form no part of the claimed design.

1 Claim, 5 Drawing Sheets



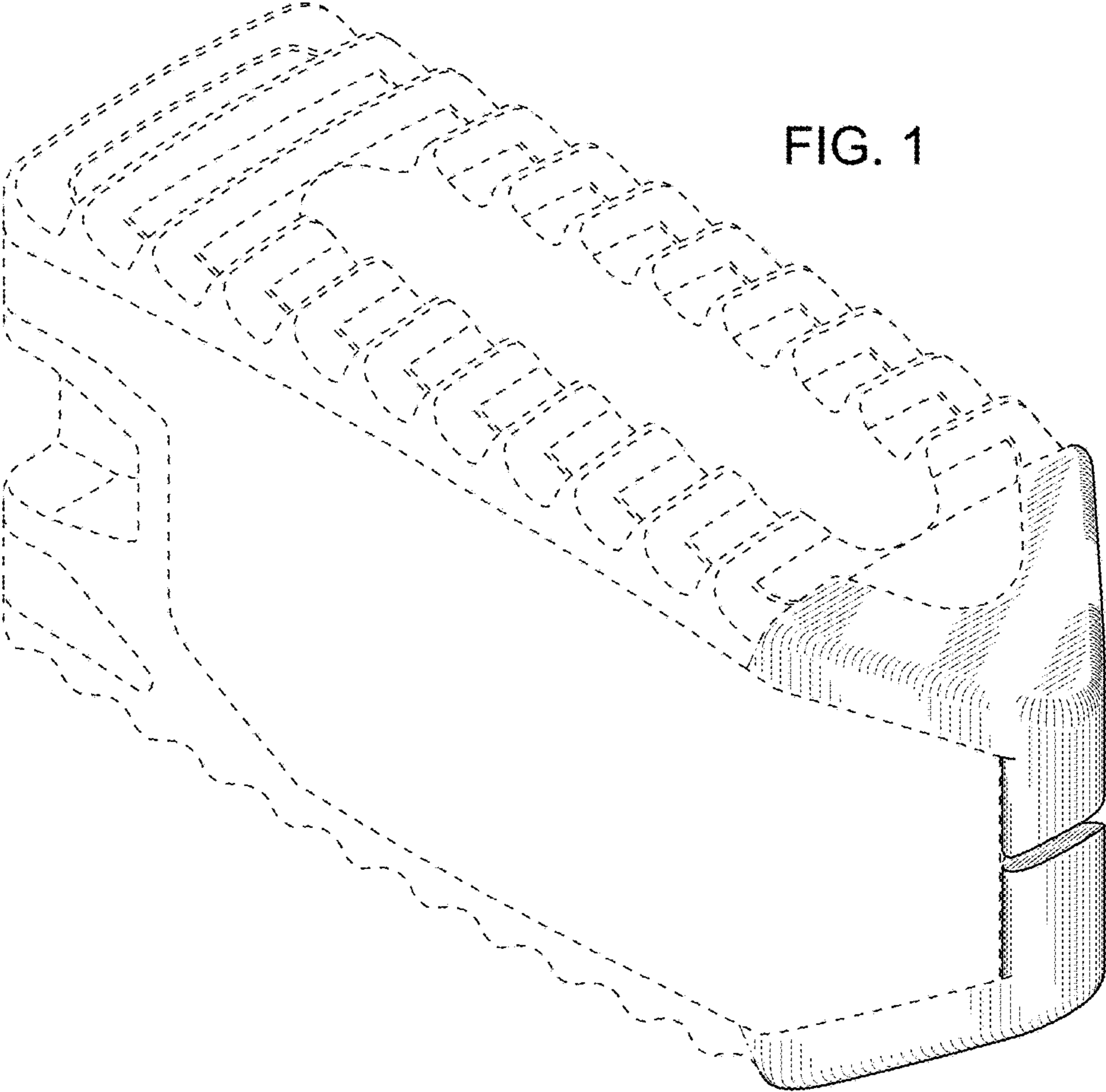


FIG. 1

FIG. 2

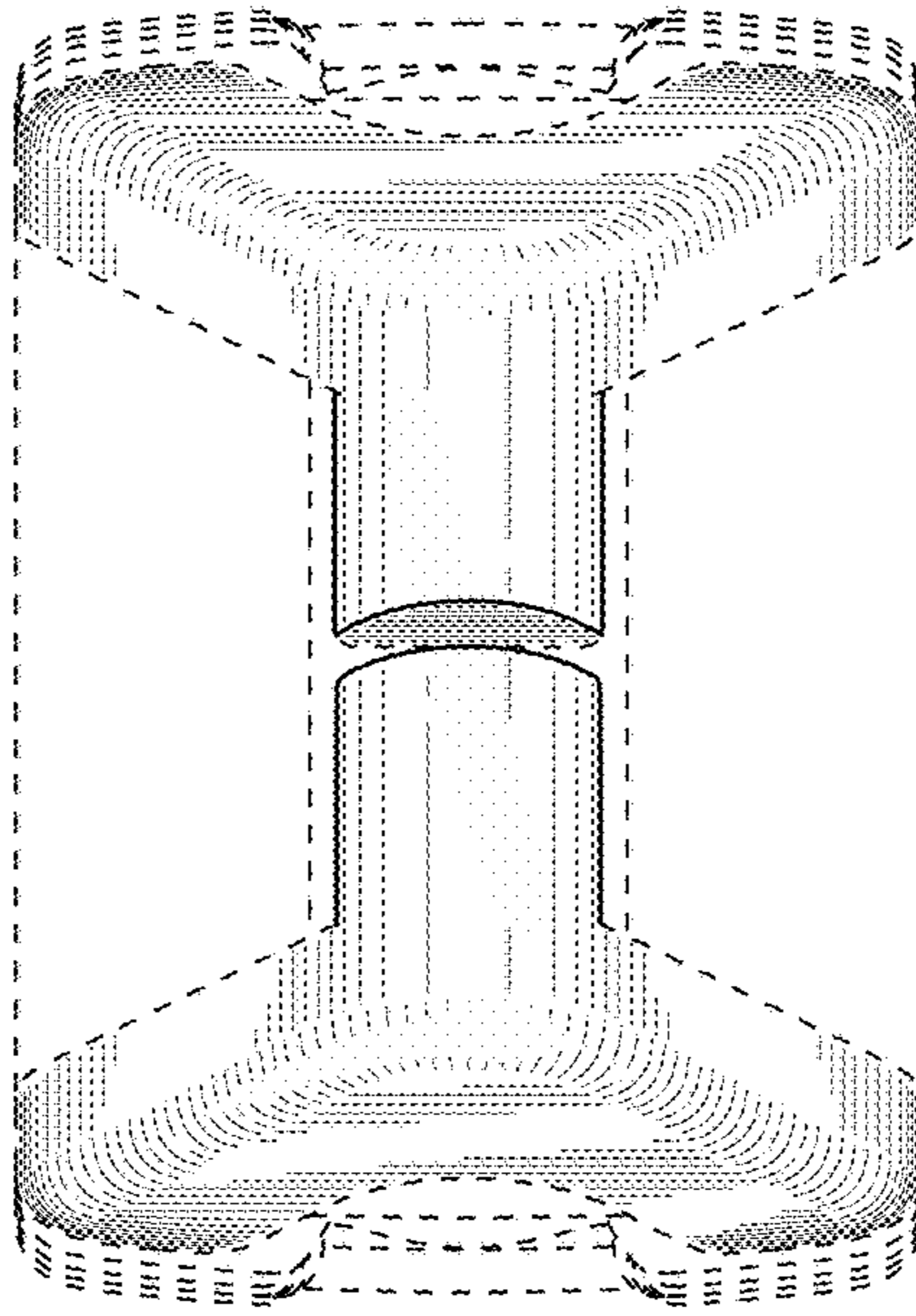
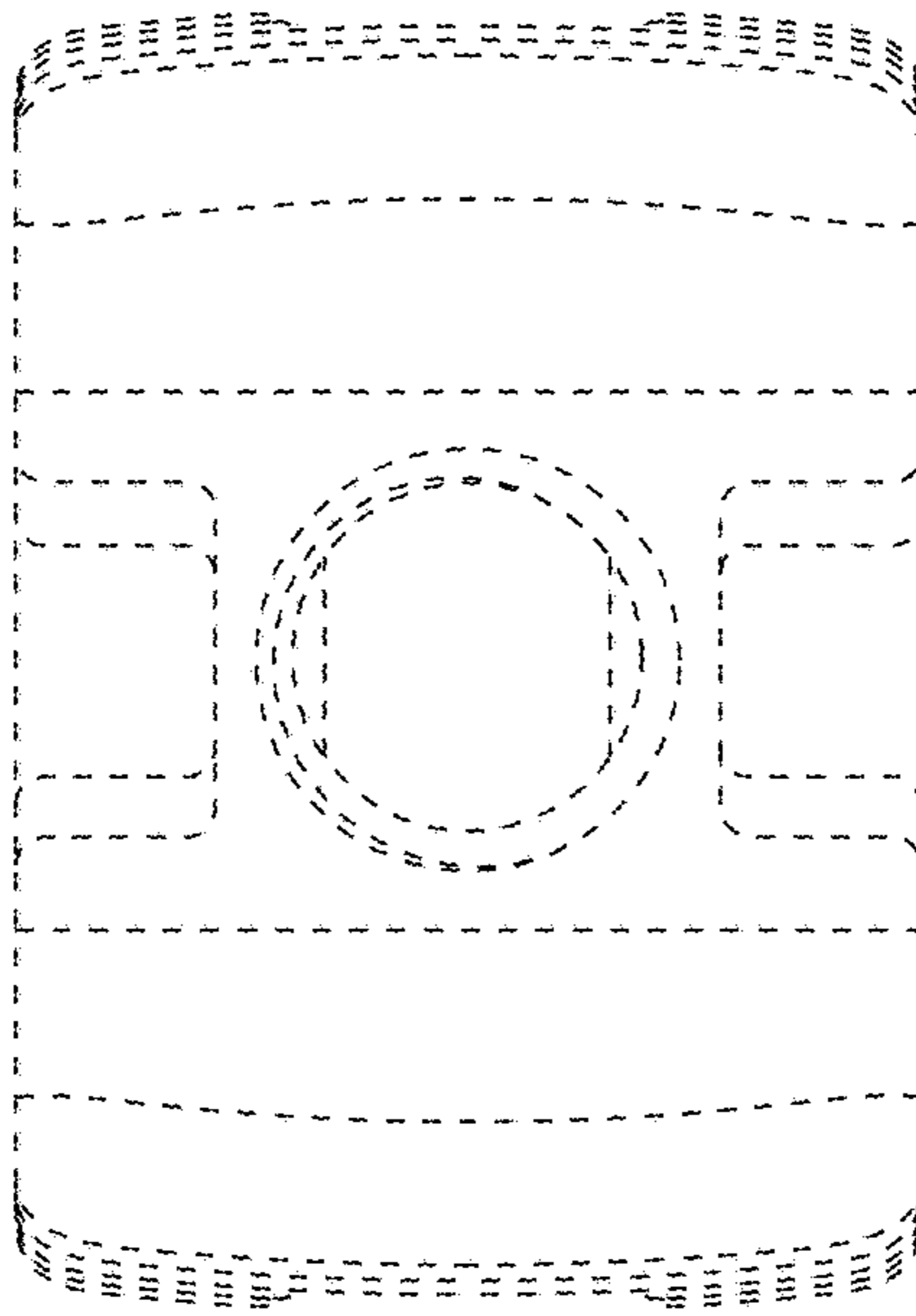


FIG. 3



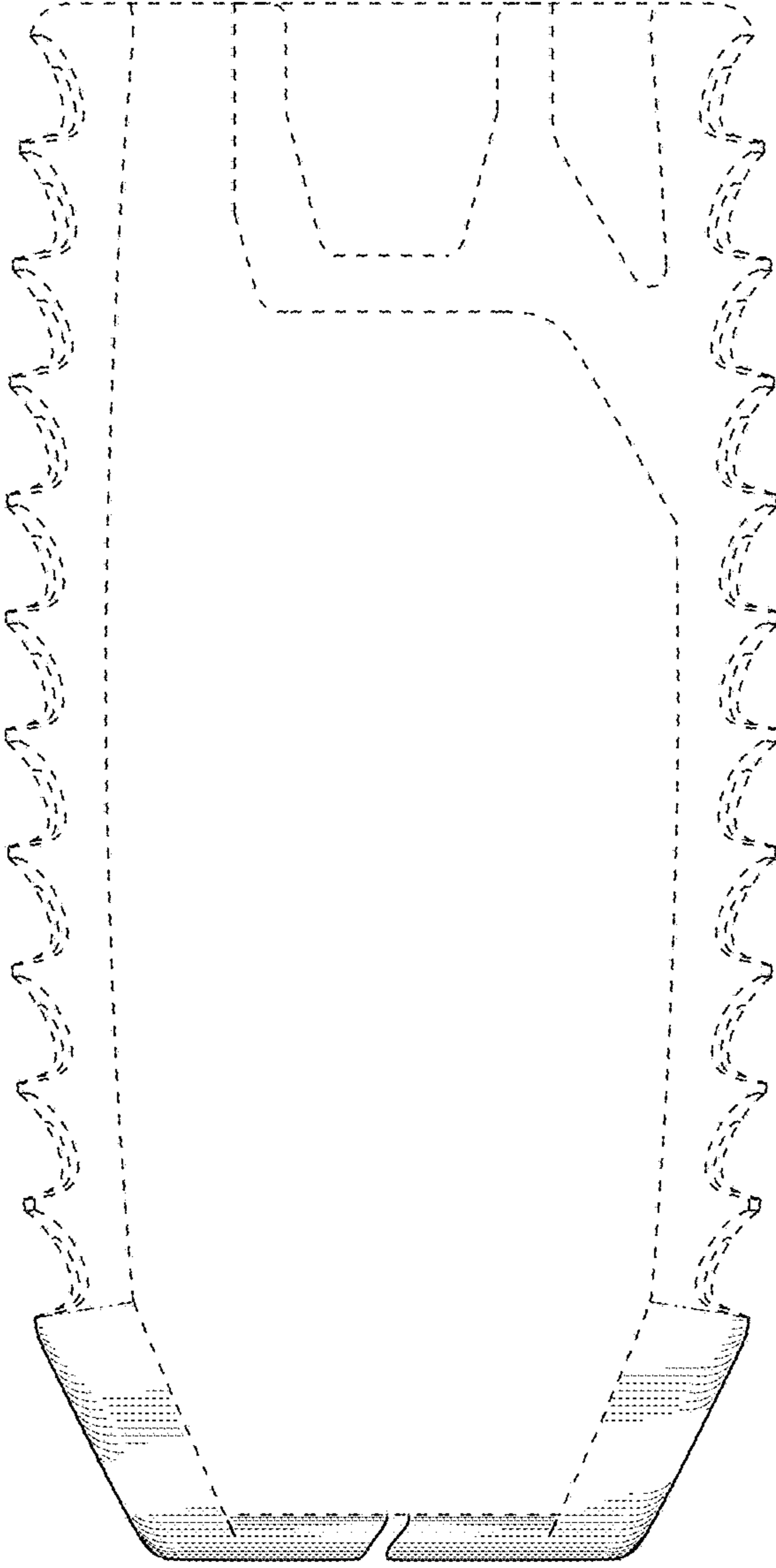


FIG. 4

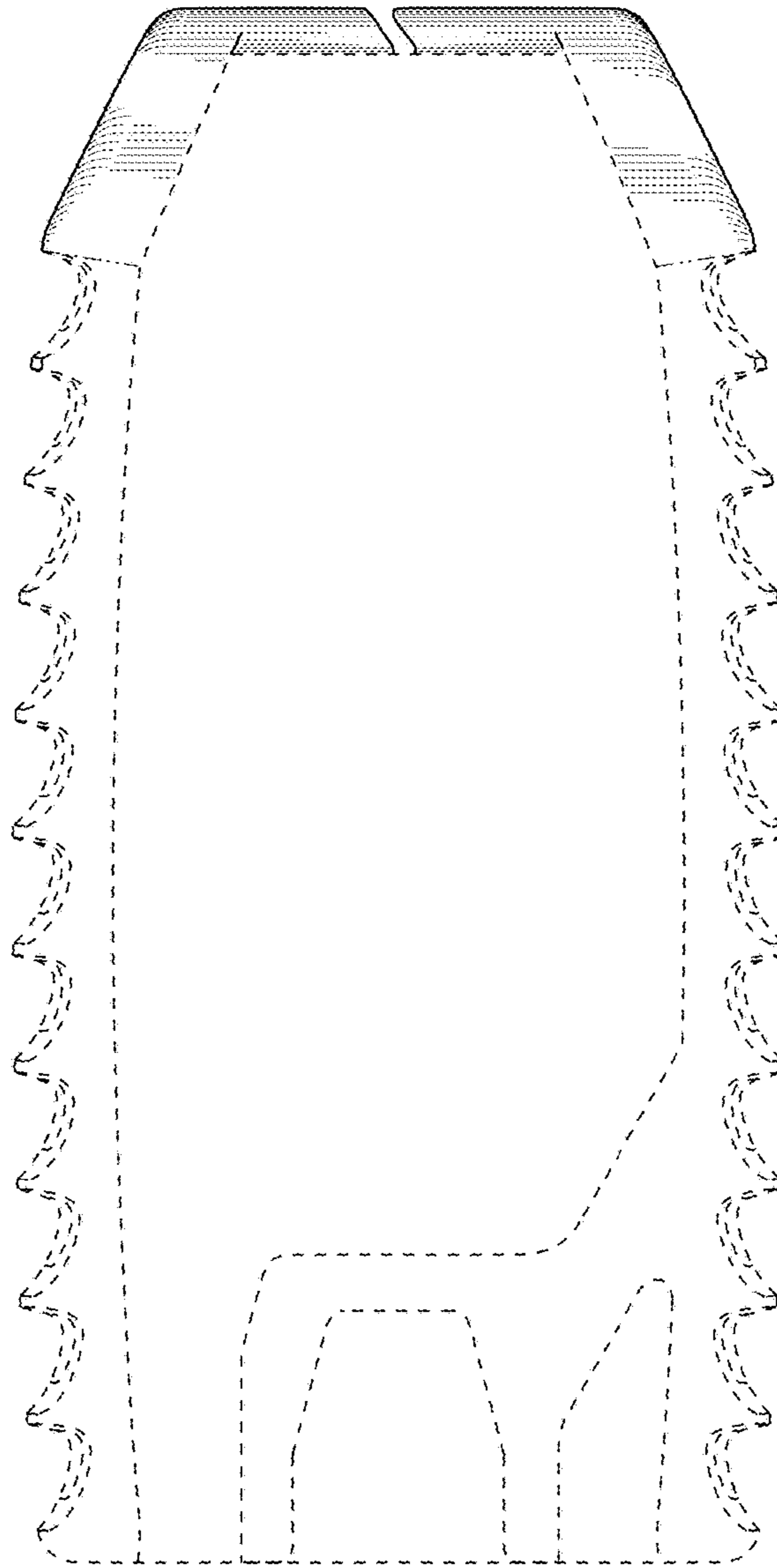


FIG. 5

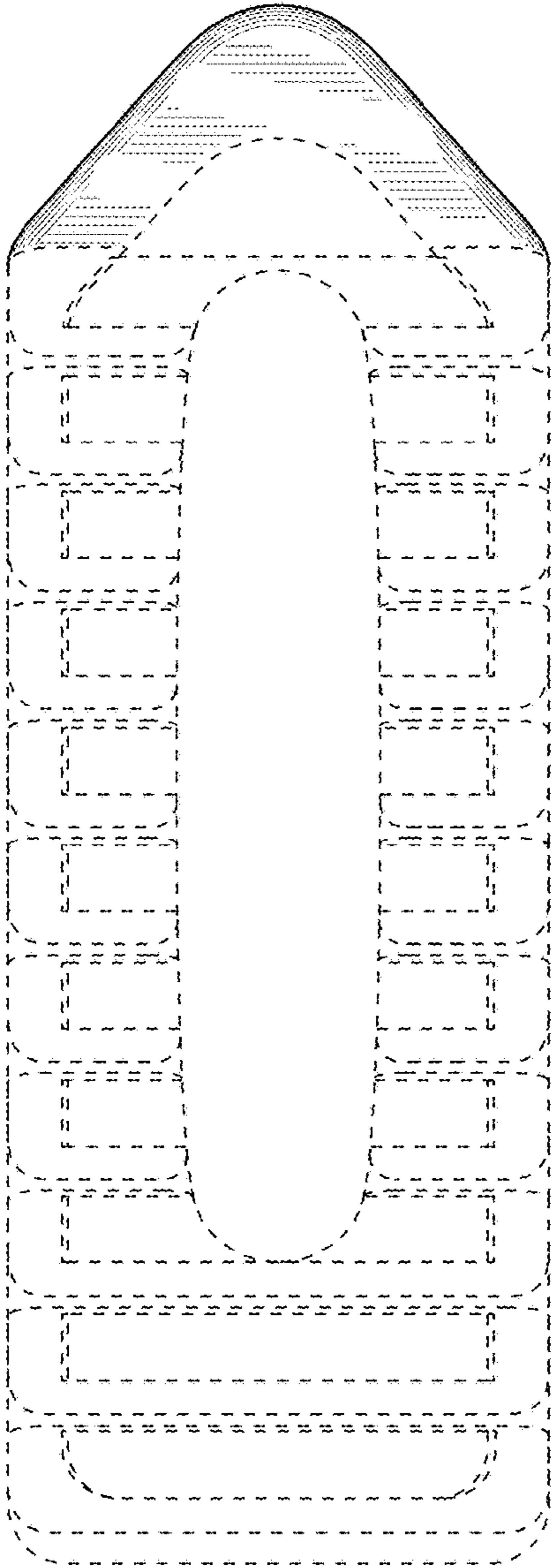


FIG. 6

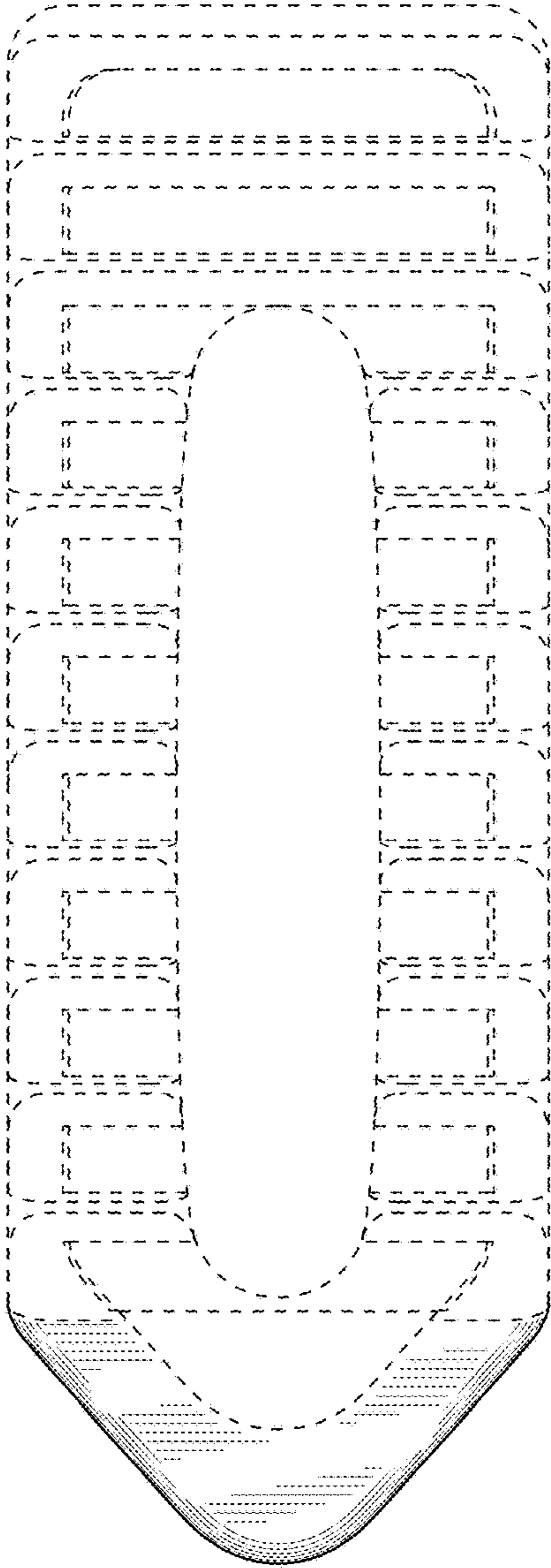


FIG. 7