

US00D840035S

(12) **United States Design Patent** (10) **Patent No.:** **US D840,035 S**
Weiner et al. (45) **Date of Patent:** **** *Feb. 5, 2019**

(54) **BONE FIXATION IMPLANT**

Primary Examiner — Charles D Hanson

(71) Applicant: **NEXTREMITY SOLUTIONS, INC.**,
Warsaw, IN (US)

(57) **CLAIM**

The ornamental design for the bone fixation implant, as shown and described.

(72) Inventors: **Lon S. Weiner**, Rumson, NJ (US);
Stuart D. Katchis, Scarsdale, NY (US);
John R. Pepper, Cheshire, CT (US)

DESCRIPTION

(73) Assignee: **Nextremity Solutions, Inc.**, Warsaw, IN (US)

FIG. 1 is a front, top perspective view of the bone fixation implant comprising the new design;

FIG. 2 is a rear, bottom perspective view of the design of FIG. 1;

(*) Notice: This patent is subject to a terminal disclaimer.

FIG. 3 is a top view of the design of FIG. 1;

FIG. 4 is a bottom view of the design of FIG. 1;

(**) Term: **15 Years**

FIG. 5 is a right side elevational view of the design of FIG. 1, where the left side elevational view is a mirror image thereof;

(21) Appl. No.: **29/562,690**

FIG. 6 is a rear elevational view of the design of FIG. 1; and

(22) Filed: **Apr. 28, 2016**

FIG. 7 is a front elevational view of the design of FIG. 1.

Related U.S. Application Data

(63) Continuation of application No. PCT/US2015/010488, filed on Jan. 7, 2015.

FIG. 8 is a top, front perspective view of an alternative embodiment of the bone fixation implant of FIG. 1;

FIG. 9 is a bottom, rear perspective of the design of FIG. 8;

(51) **LOC (11) Cl.** **24-02**

(52) **U.S. Cl.**
USPC **D24/155**

FIG. 10 is a top view of the design of FIG. 8;

FIG. 11 is a bottom view of the design of FIG. 8;

(58) **Field of Classification Search**
USPC D24/155

FIG. 12 is a right elevational view of the design of FIG. 8, wherein the left elevational view is a mirror image thereof;

FIG. 13 is a rear elevational view of the design of FIG. 8; and

(Continued)

(56) **References Cited**

U.S. PATENT DOCUMENTS

3,824,995 A 7/1974 Getscher et al.
4,565,193 A 1/1986 Strelt

(Continued)

FIG. 14 is a front elevational view of the design of FIG. 8.

FIG. 15 is a top, front perspective view of an alternative embodiment of the bone fixation implant of FIG. 1;

FIG. 16 is a bottom, rear perspective of the design of FIG. 15;

FIG. 17 is a top view bottom view of the design of FIG. 15;

FIG. 18 is a bottom view of the design of FIG. 15;

FIG. 19 is a right elevational view of the design of FIG. 15, wherein the left elevational view is a mirror image thereof;

FIG. 20 is a rear elevational of the design of FIG. 15; and

FIG. 21 is a front elevational view of the design of FIG. 15.

FIG. 22 is a top, front perspective view of an alternative embodiment of the bone fixation implant of FIG. 1;

FIG. 23 is a bottom, rear perspective of the design of FIG. 22;

FIG. 24 is a top view bottom view of the design of FIG. 22;

(Continued)

OTHER PUBLICATIONS

International Search Report and Written Opinion for PCT Application No. PCT/US2013/052704 dated Oct. 15, 2013.

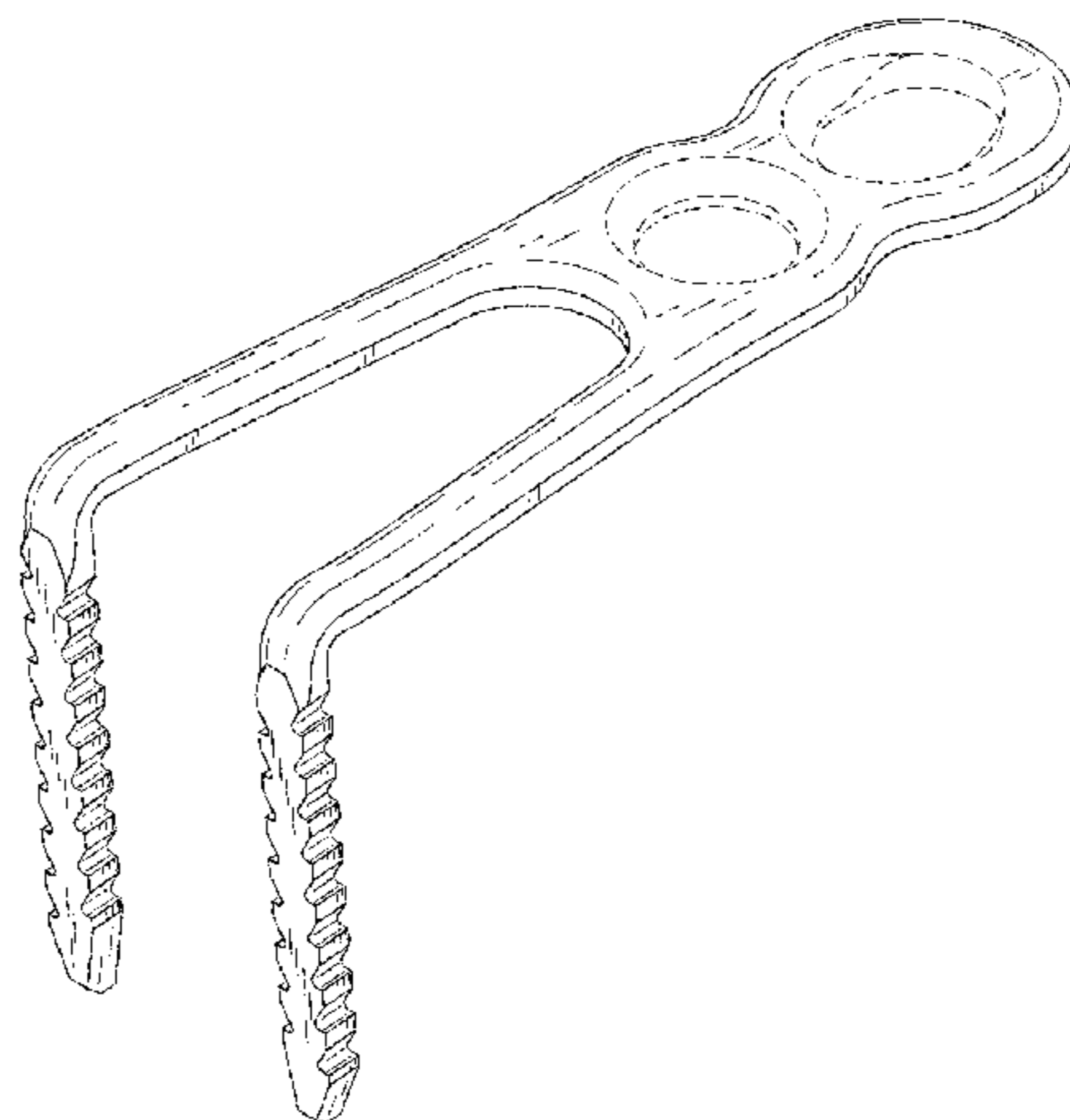


FIG. 25 is a bottom view of the design of FIG. 22; FIG. 26 is a right elevational view of the design of FIG. 22, wherein the left elevational view is a mirror image thereof; FIG. 27 is a rear elevational of the design of FIG. 22; and, FIG. 28 is a front elevational view of the design of FIG. 22. The broken lines in the figures are directed to the environment and are for illustrative purposes only; the broken lines form no part of the claimed design.

1 Claim, 12 Drawing Sheets

(58) **Field of Classification Search**

CPC A61B 17/0642; A61B 17/0682; A61B 17/0644; F16B 15/06

See application file for complete search history.

(56) **References Cited**

U.S. PATENT DOCUMENTS

4,651,724	A	3/1987	Berentey et al.
5,586,985	A	12/1996	Putnam et al.
5,662,655	A	9/1997	Laboureau et al.
5,674,222	A	10/1997	Berger et al.
6,440,131	B1	8/2002	Haidukewych
6,620,165	B2	9/2003	Wellisz
6,648,885	B1	11/2003	Friesem
7,108,697	B2	9/2006	Mingozzi et al.
7,341,591	B2	3/2008	Grinberg
D587,370	S *	2/2009	Coillard-Lavirotte D24/155

D596,294	S *	7/2009	Coillard-Lavirotte D24/155
7,857,836	B2	12/2010	Huebner
7,883,510	B2	2/2011	Kim et al.
8,062,294	B2	11/2011	Reynolds
8,177,822	B2	5/2012	Tellman et al.
D691,720	S *	10/2013	Cheney D24/145
D728,103	S	4/2015	Katchis et al.
D728,104	S	4/2015	Katchis et al.
D773,665	S *	12/2016	Cheney D24/155
D773,666	S *	12/2016	Cheney D24/155
D777,329	S *	1/2017	Montoya D24/155
D780,311	S *	2/2017	Cheney D24/155
2003/0105461	A1	6/2003	Putnam et al.
2003/0153918	A1	8/2003	Putnam et al.
2004/0102776	A1	5/2004	Heubner
2004/0127902	A1*	7/2004	Suzuki A61B 17/059 606/297
2004/0210234	A1	10/2004	Coillard-Lavirotte
2007/0233113	A1	10/2007	Kaelblein et al.
2008/0255620	A1	10/2008	Strauss et al.
2009/0012569	A1	1/2009	Meiring et al.
2009/0012570	A1	1/2009	Zhang et al.
2009/0177203	A1	7/2009	Reiley
2009/0254126	A1	10/2009	Orbay
2009/0281577	A1	11/2009	Graham et al.
2009/0287249	A1	11/2009	Reynolds et al.
2009/0318977	A1	12/2009	Di Giacomo et al.
2011/0208247	A1	8/2011	Modi
2011/0224671	A1	9/2011	Koay et al.
2012/0010667	A1	1/2012	Eglseder
2013/0006247	A1	1/2013	Weiner et al.
2013/0060251	A1	3/2013	Eglseder, Jr. et al.

* cited by examiner

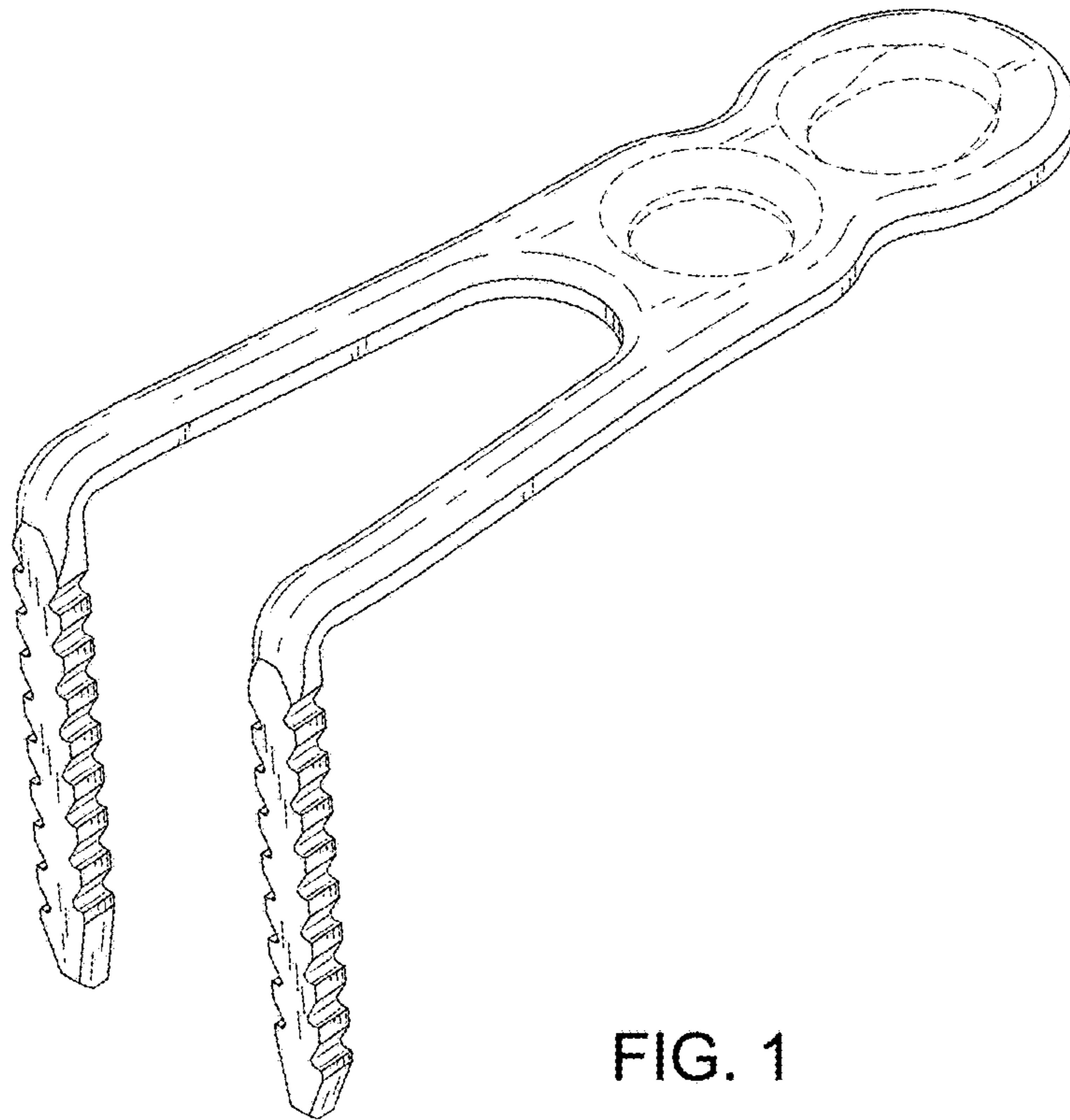


FIG. 1

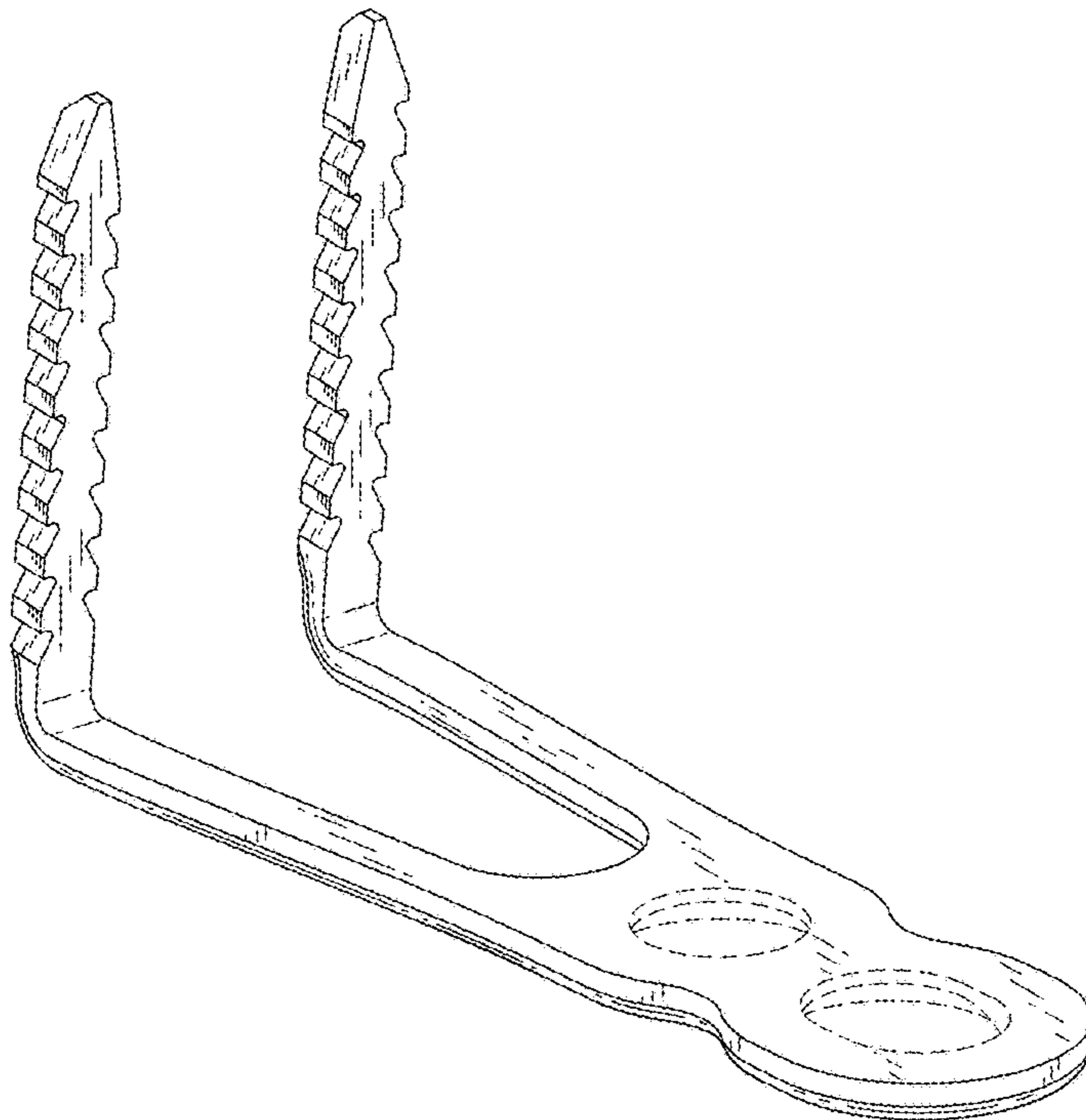


FIG. 2

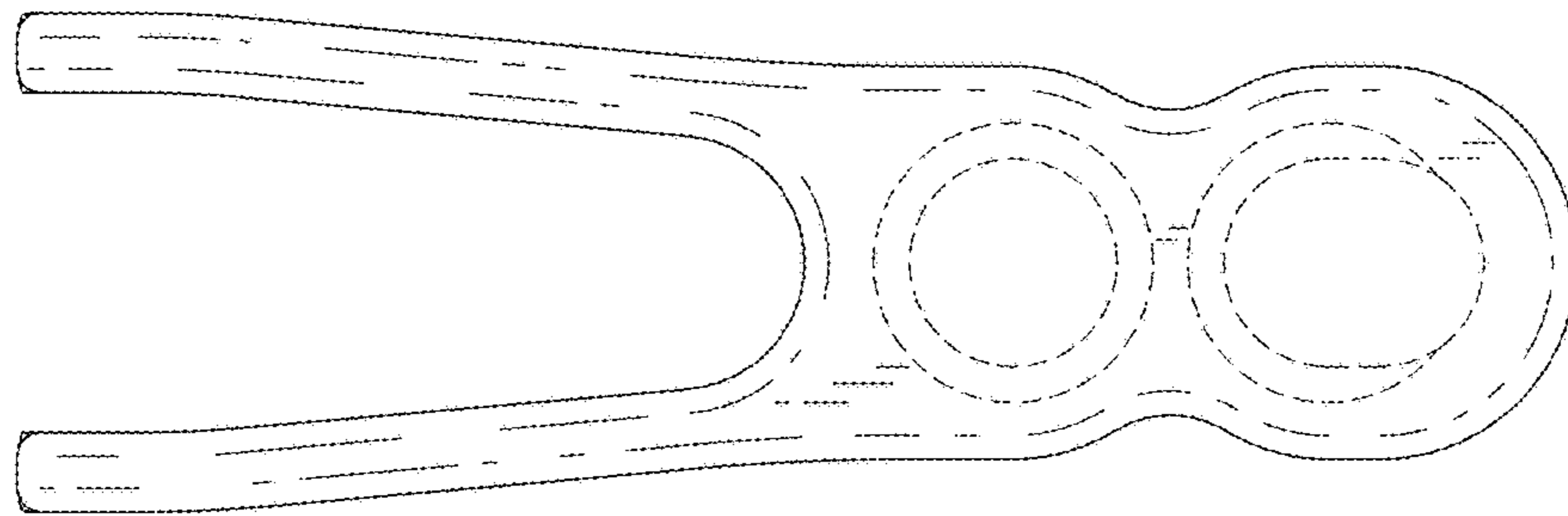


FIG. 3

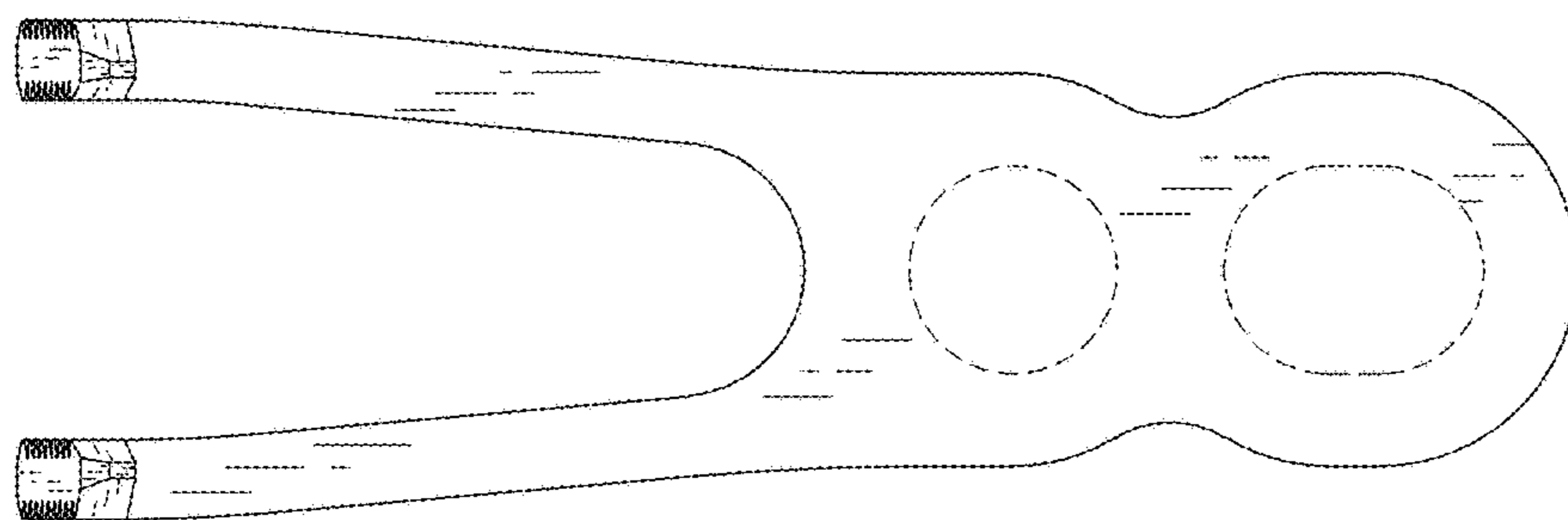


FIG. 4

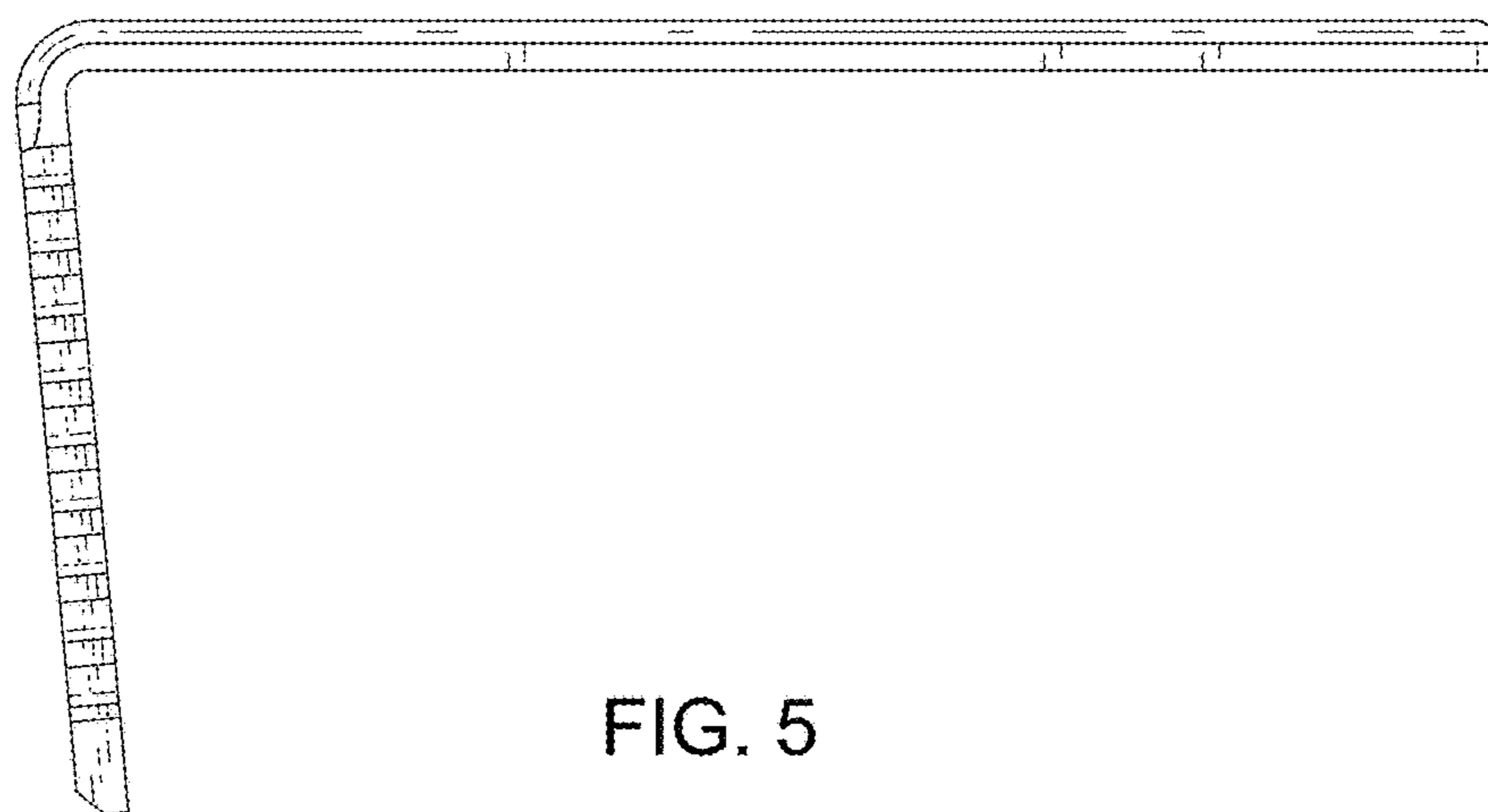


FIG. 5

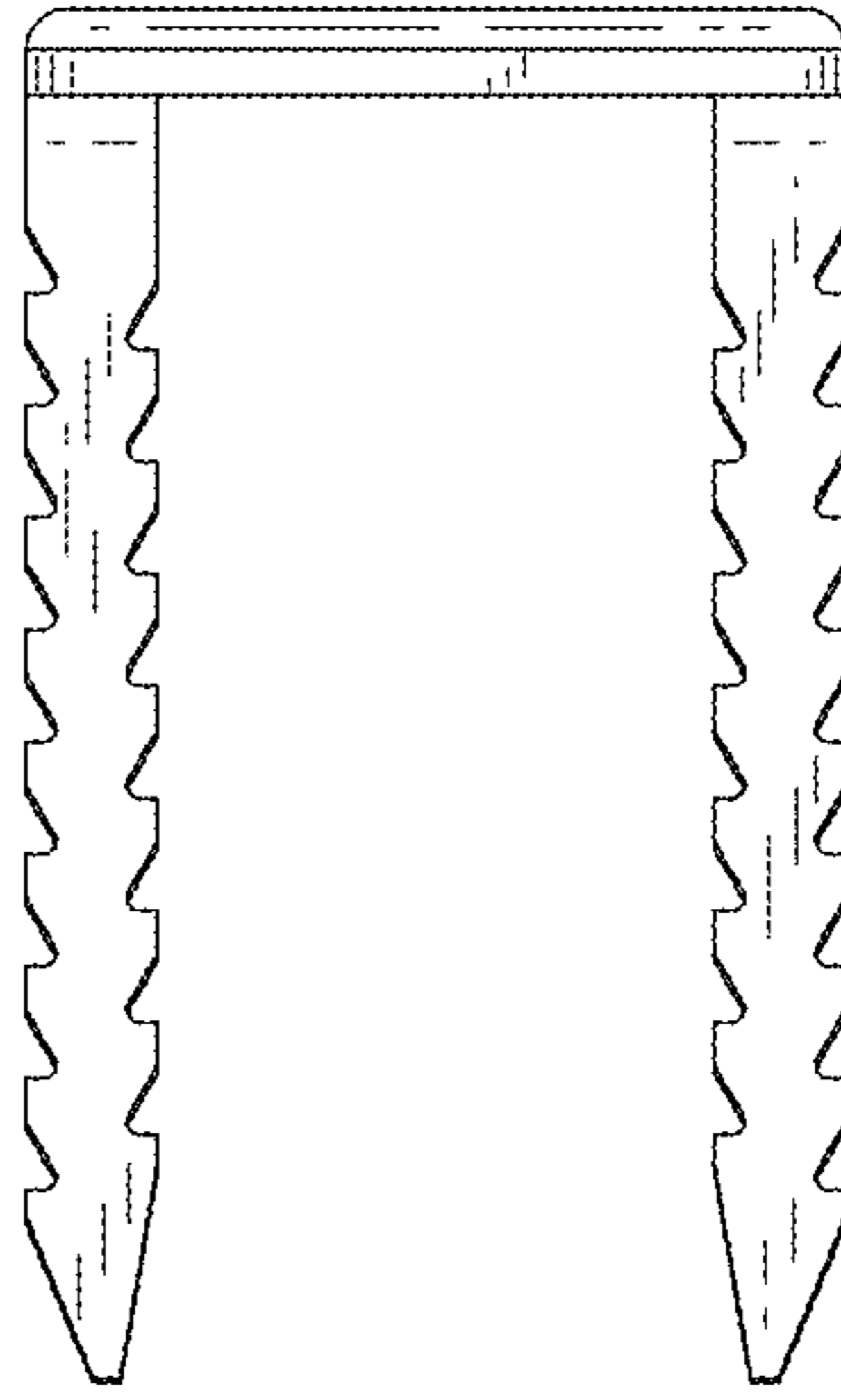


FIG. 6

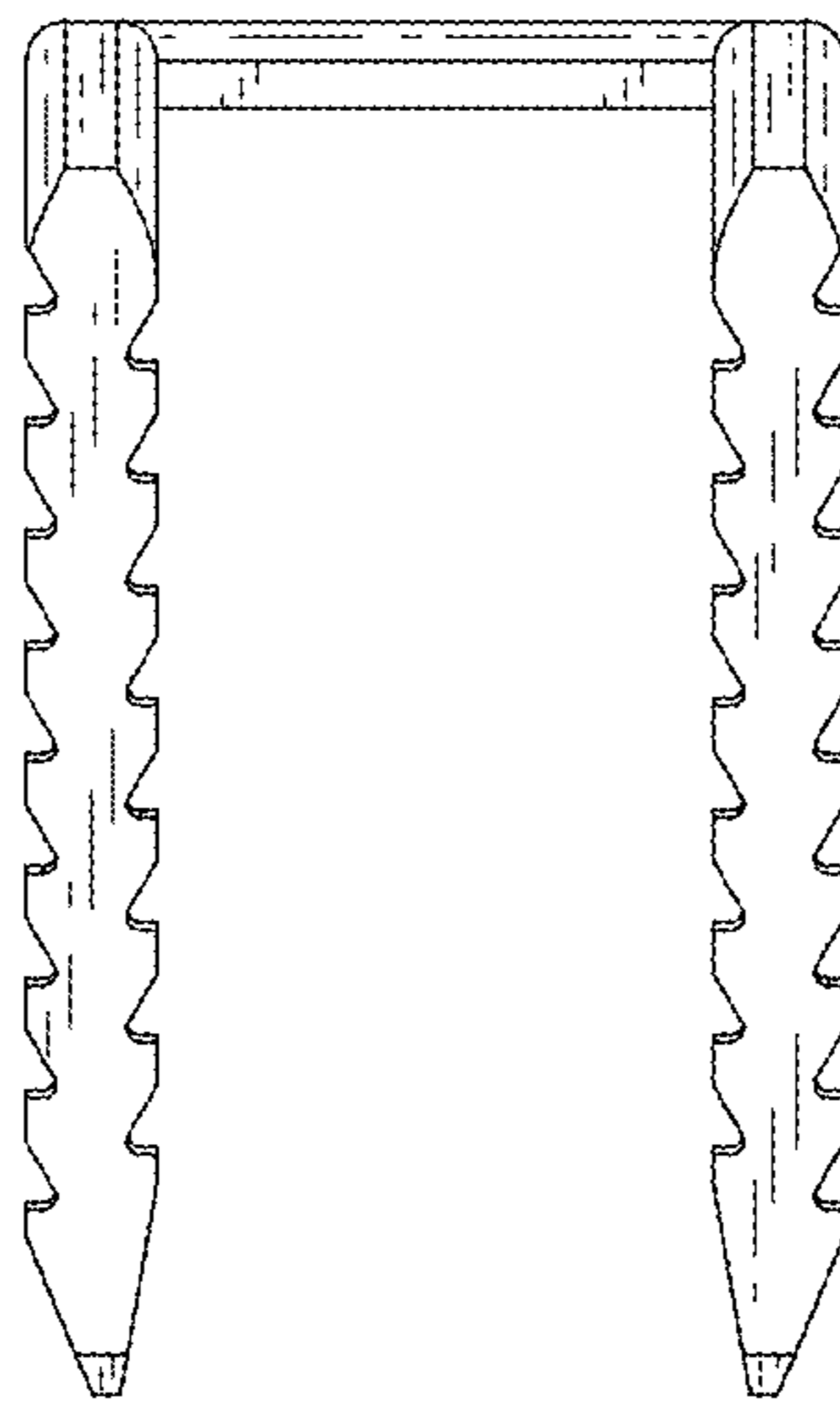


FIG. 7

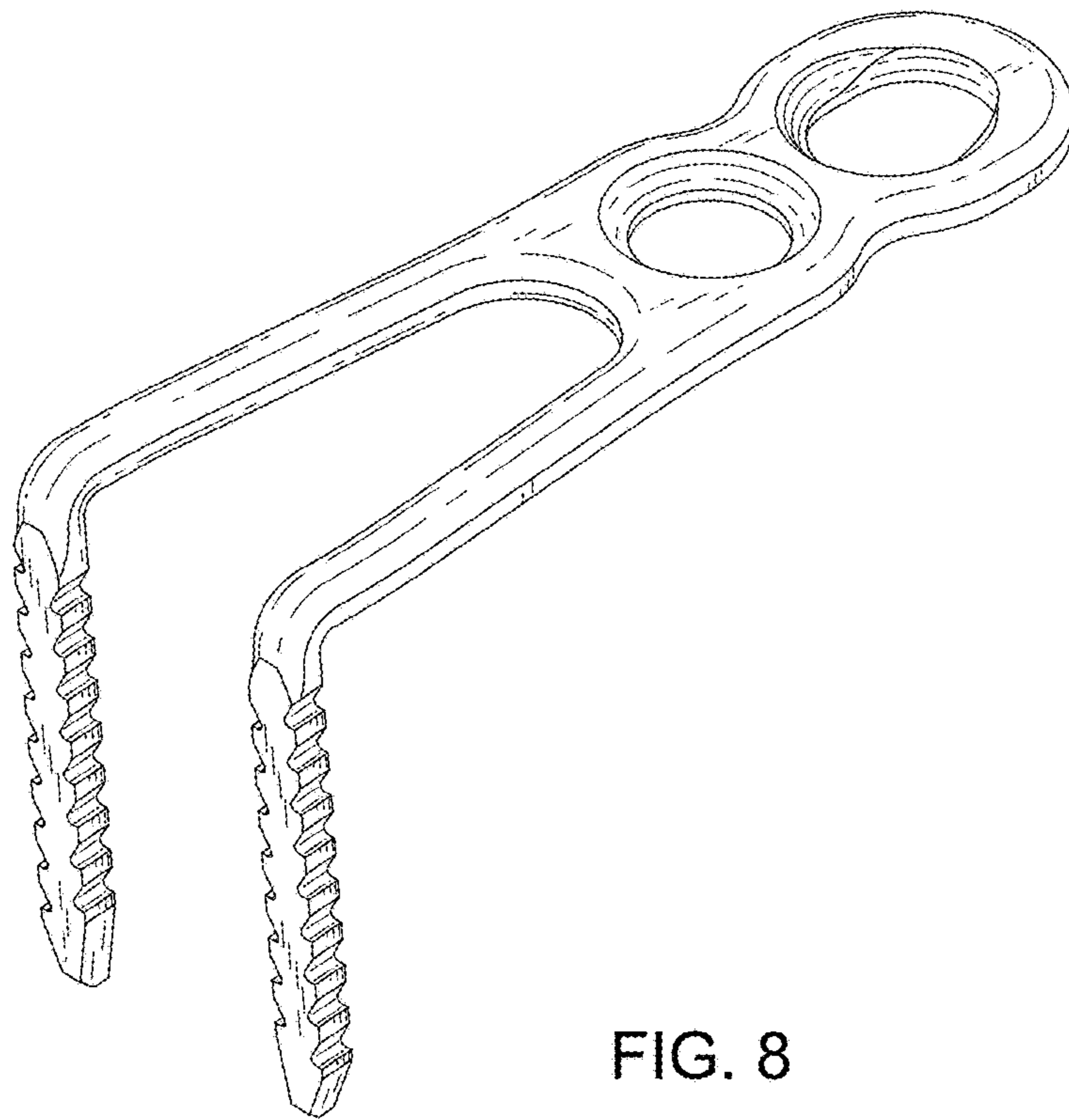


FIG. 8

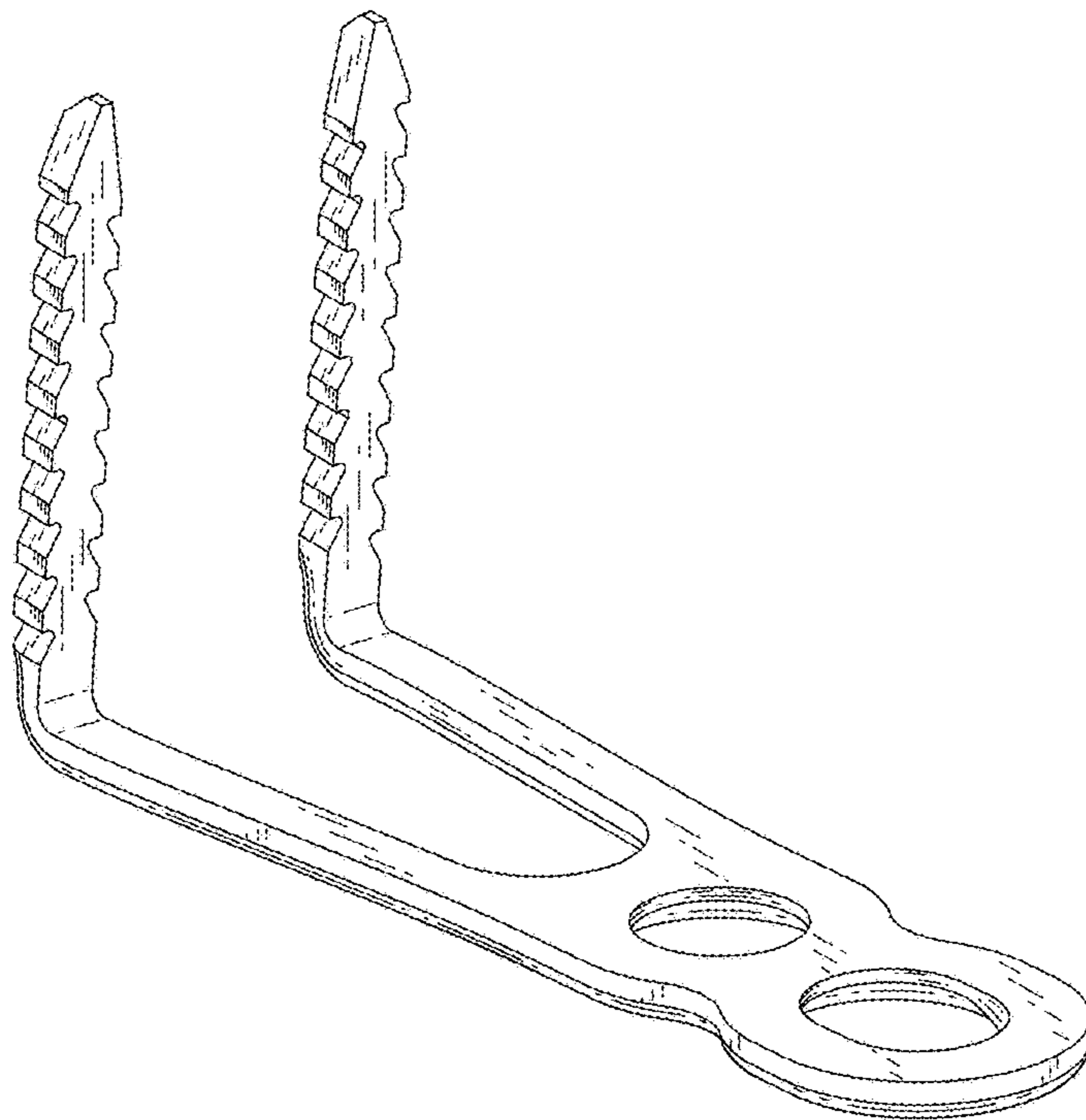


FIG. 9

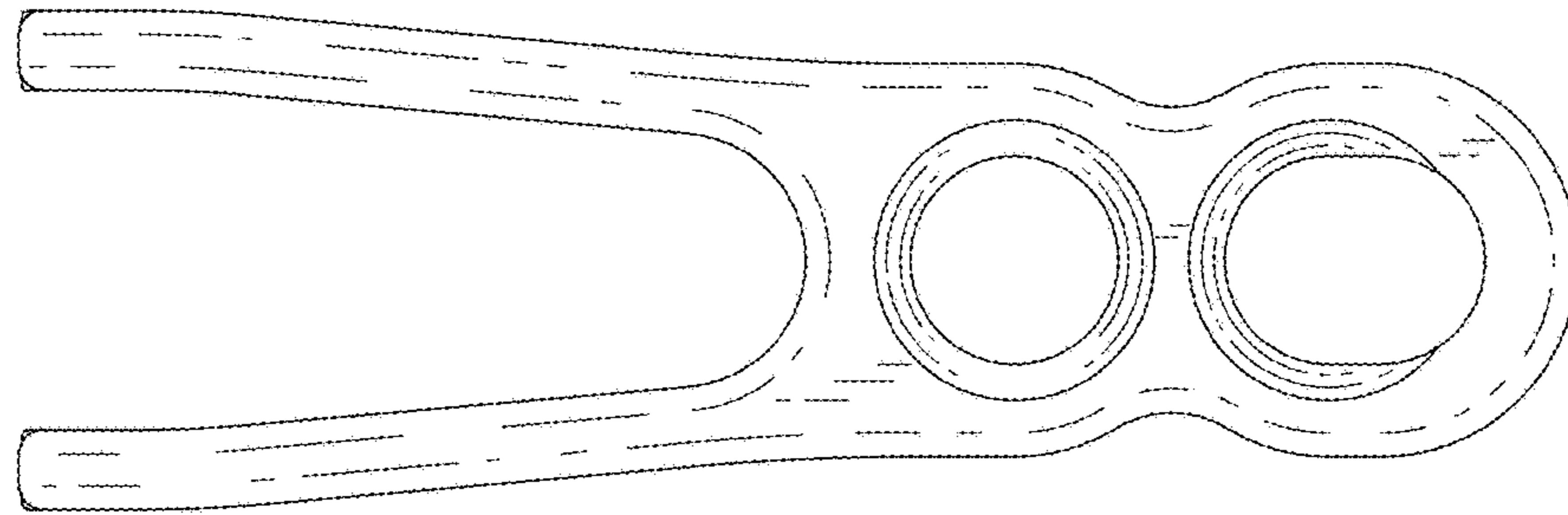


FIG. 10

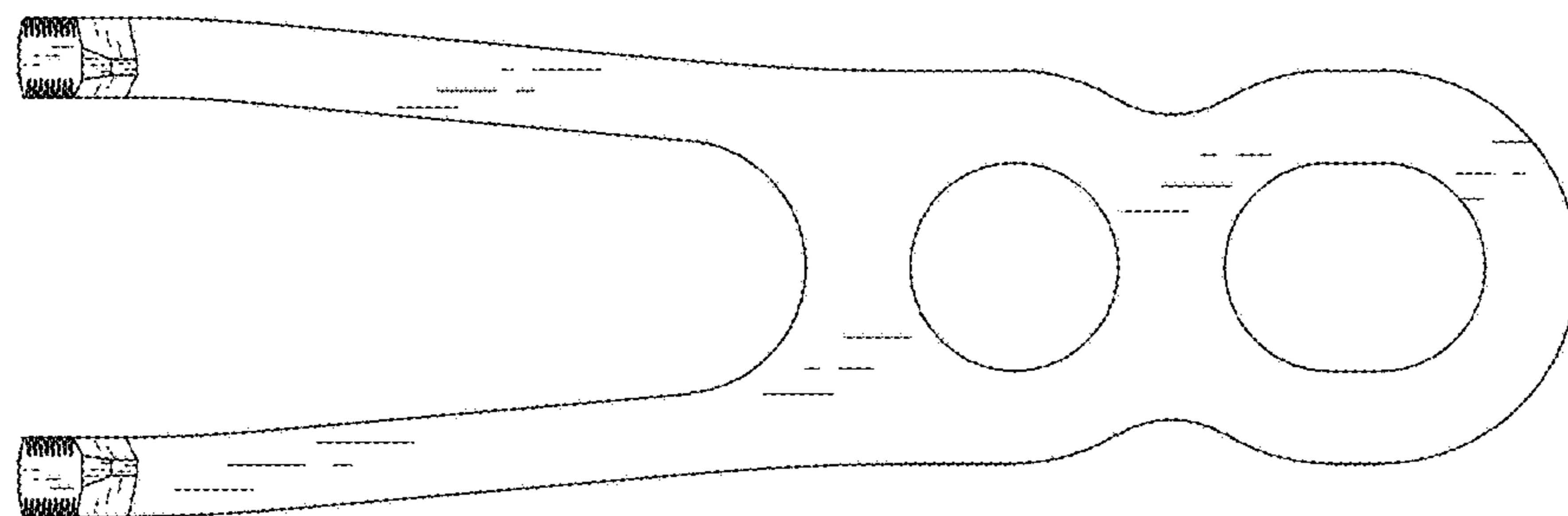


FIG. 11

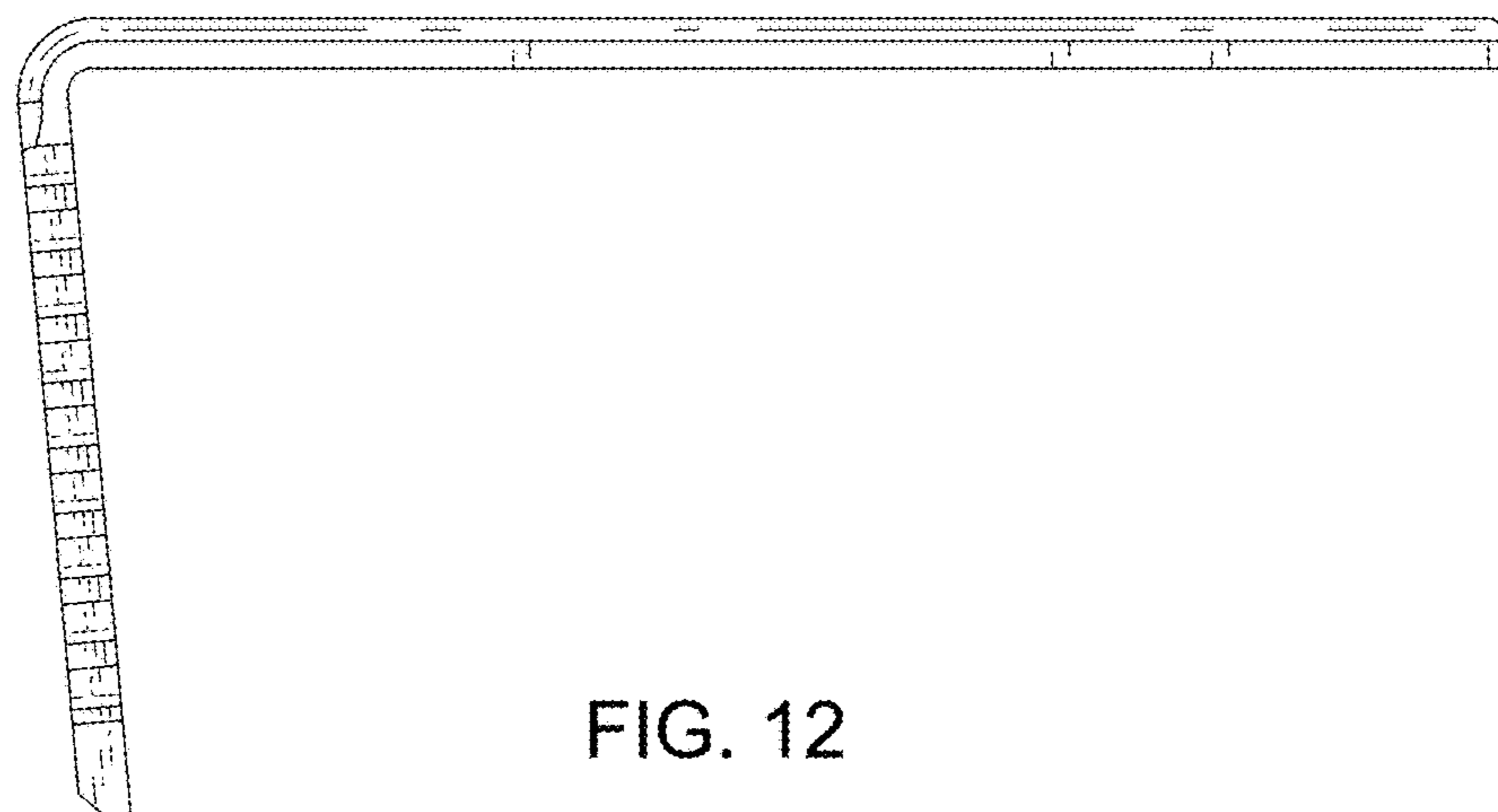


FIG. 12

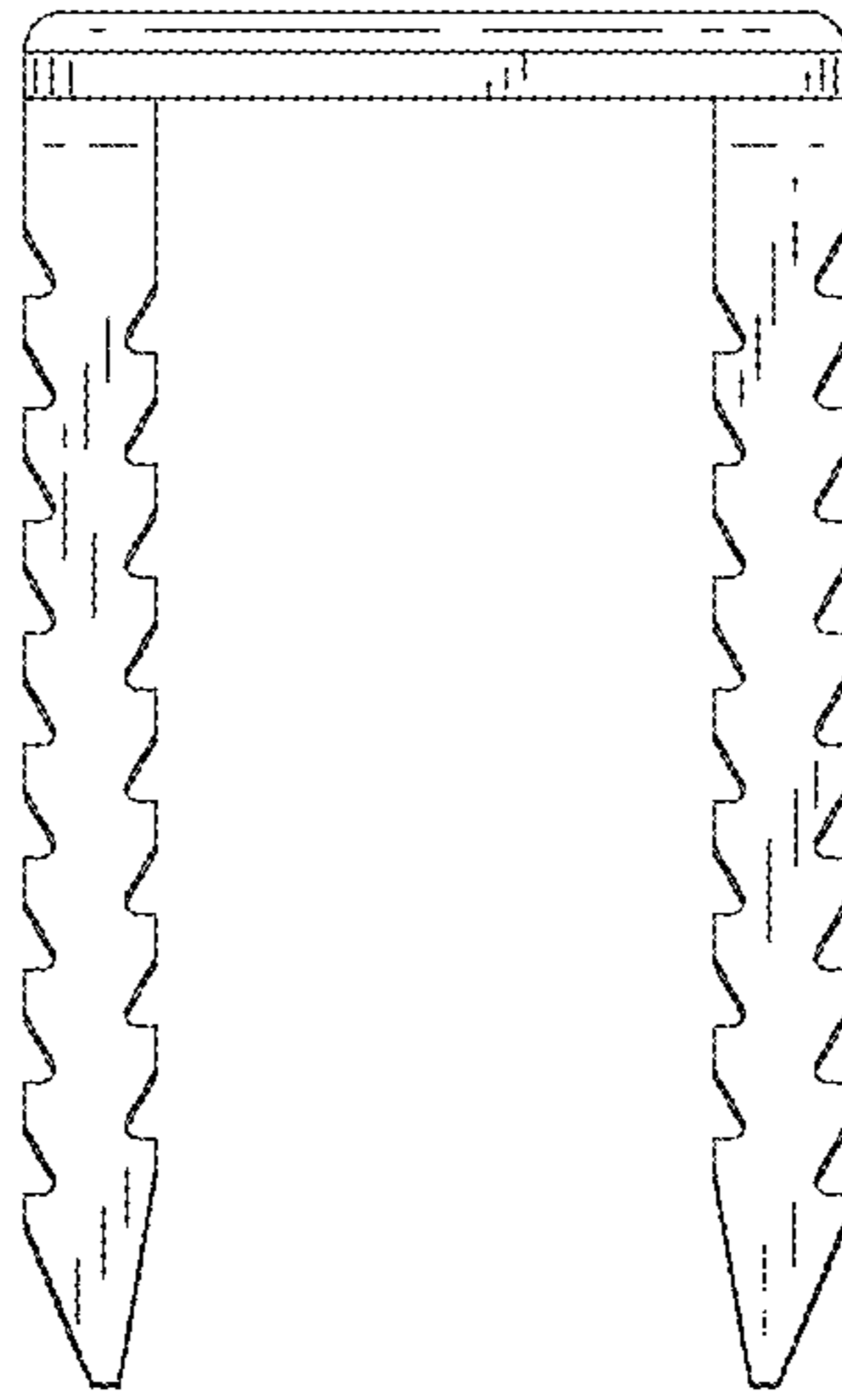


FIG. 13

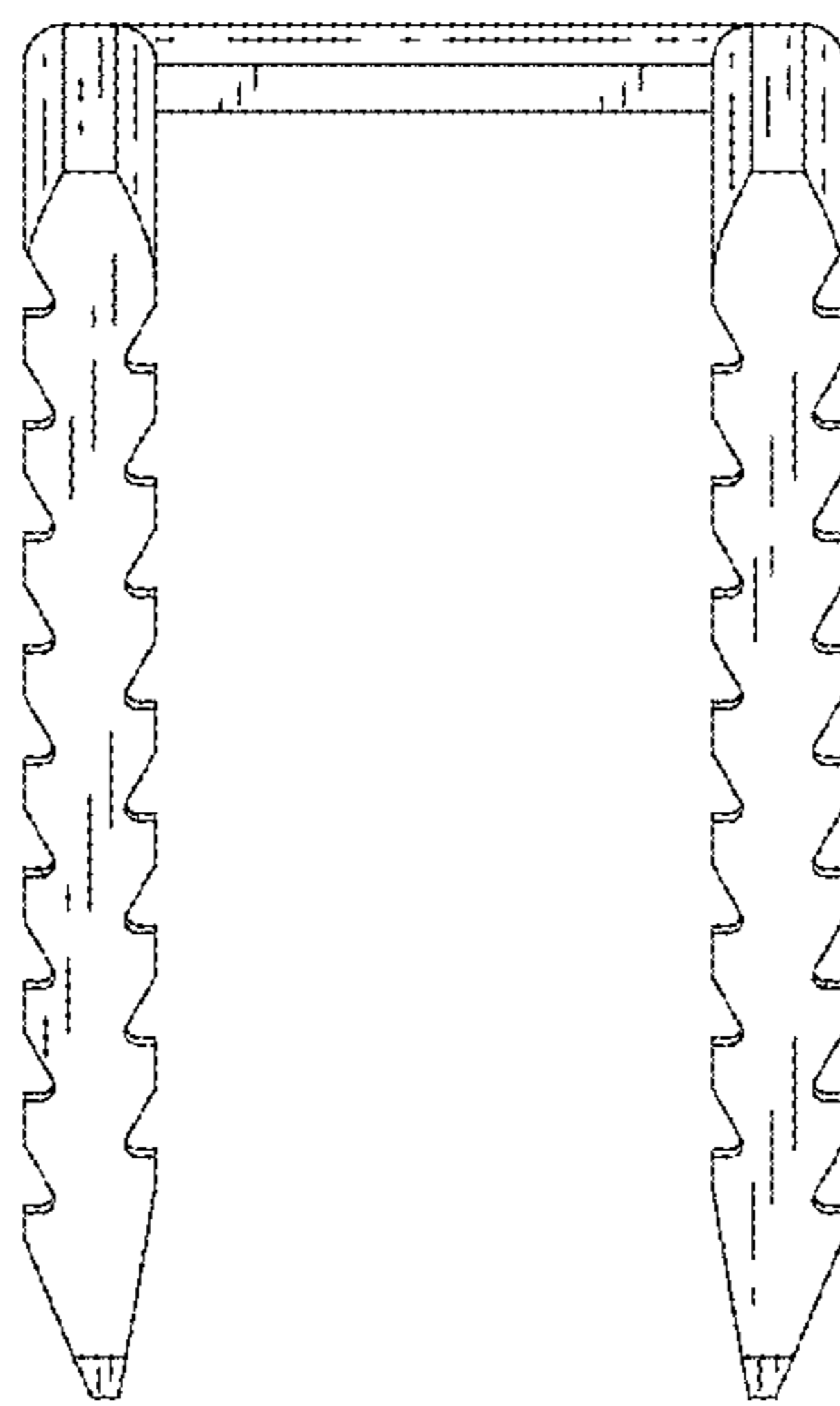


FIG. 14

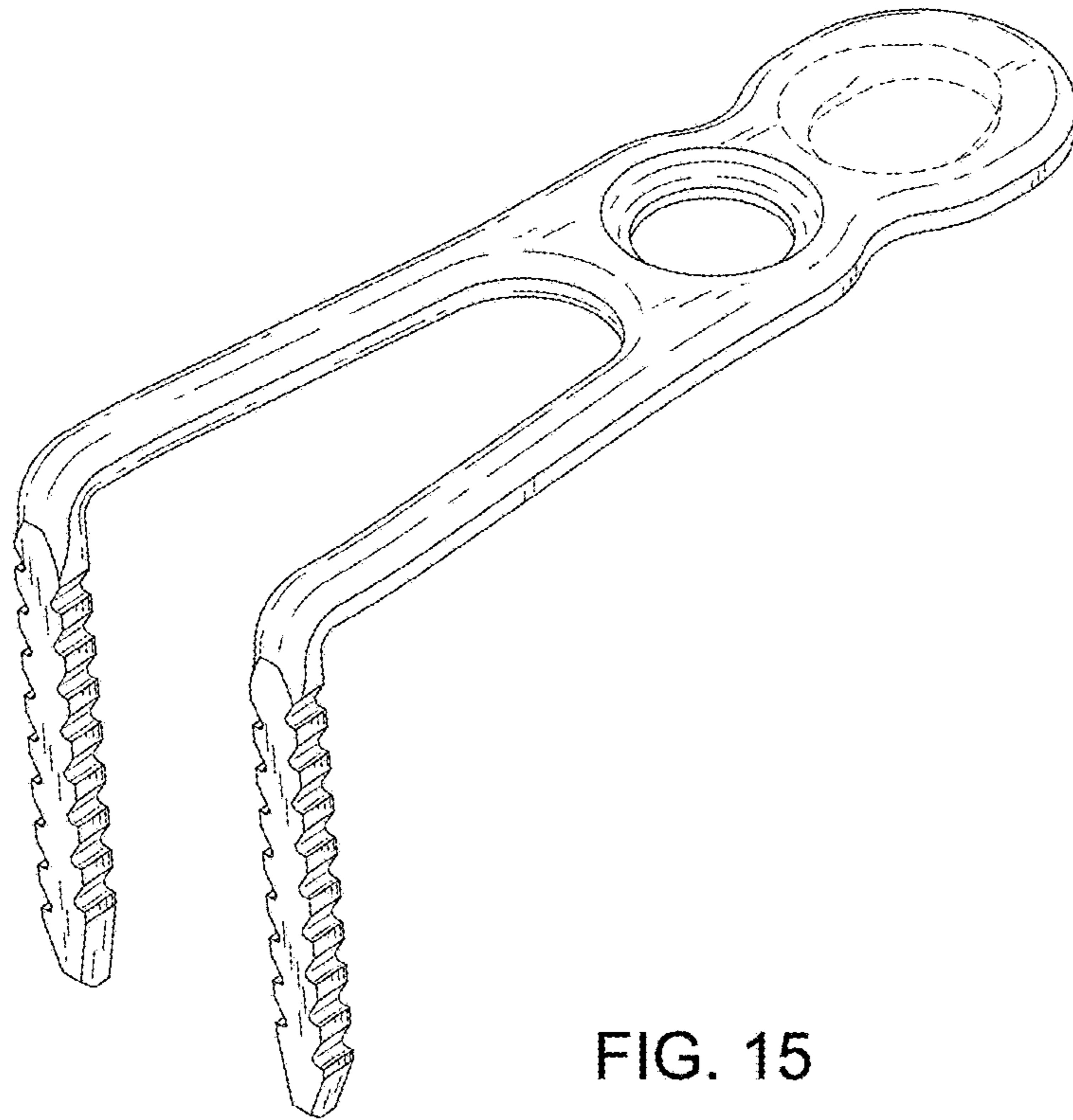


FIG. 15

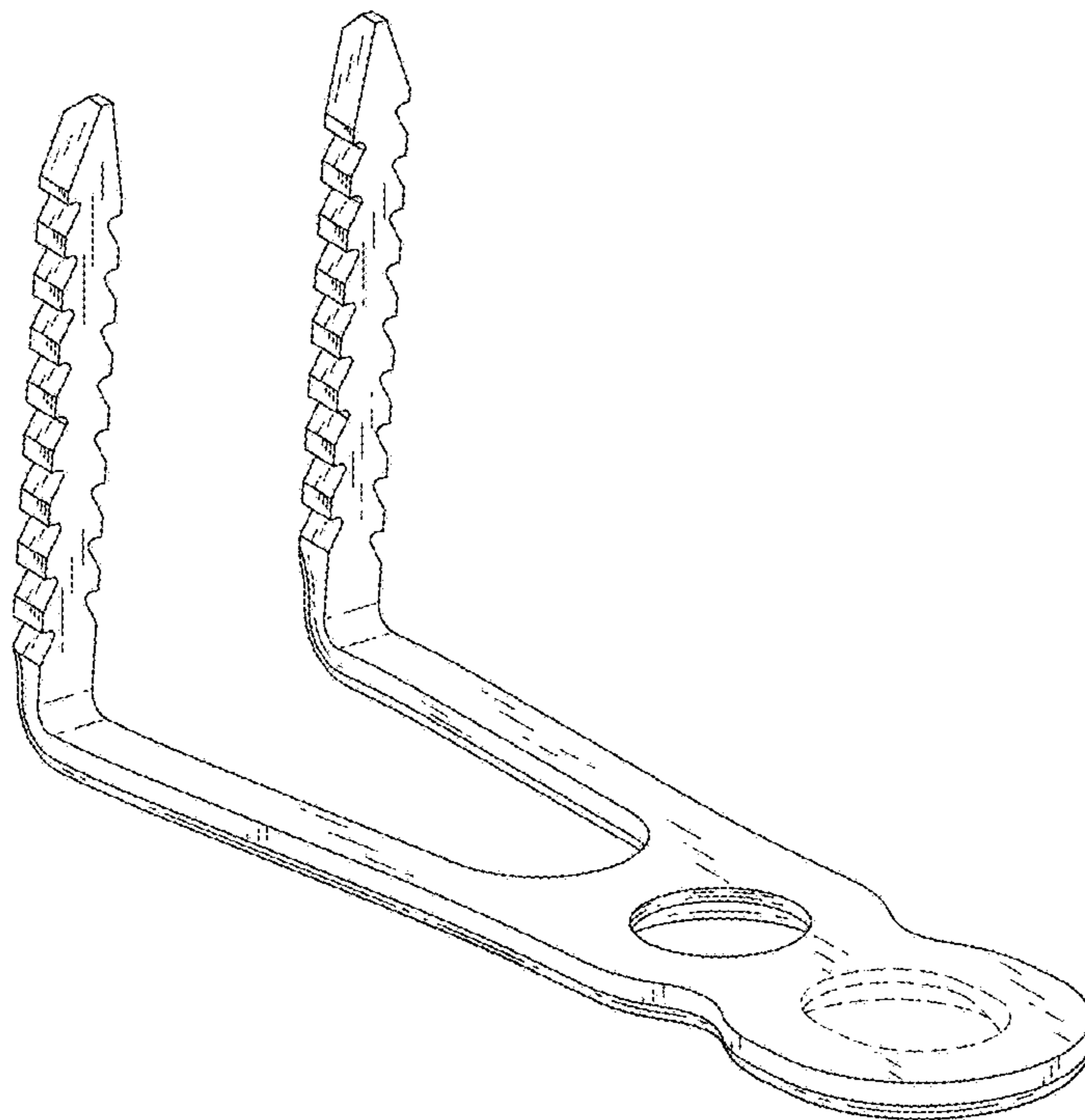


FIG. 16

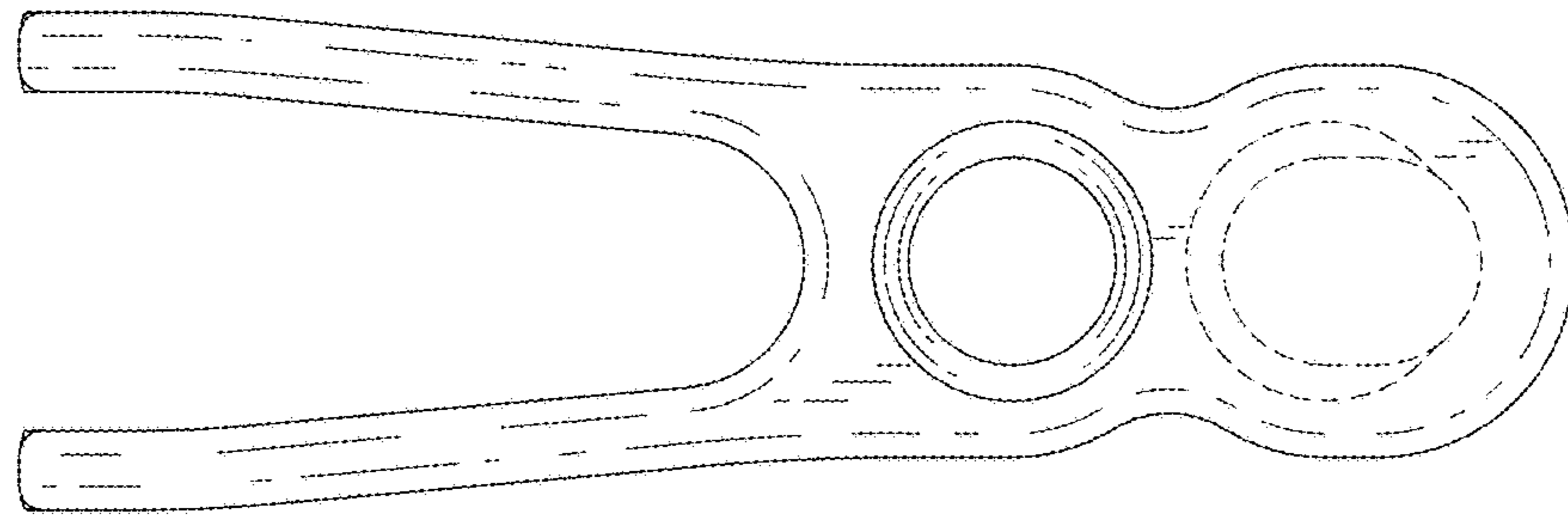


FIG. 17

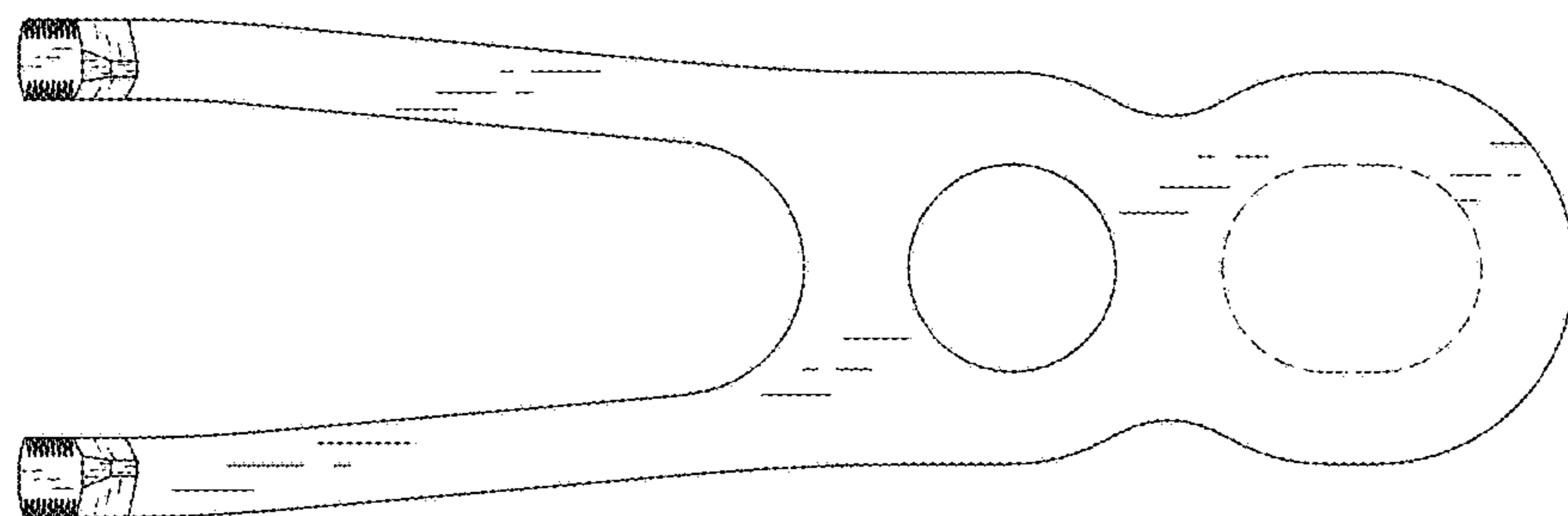


FIG. 18

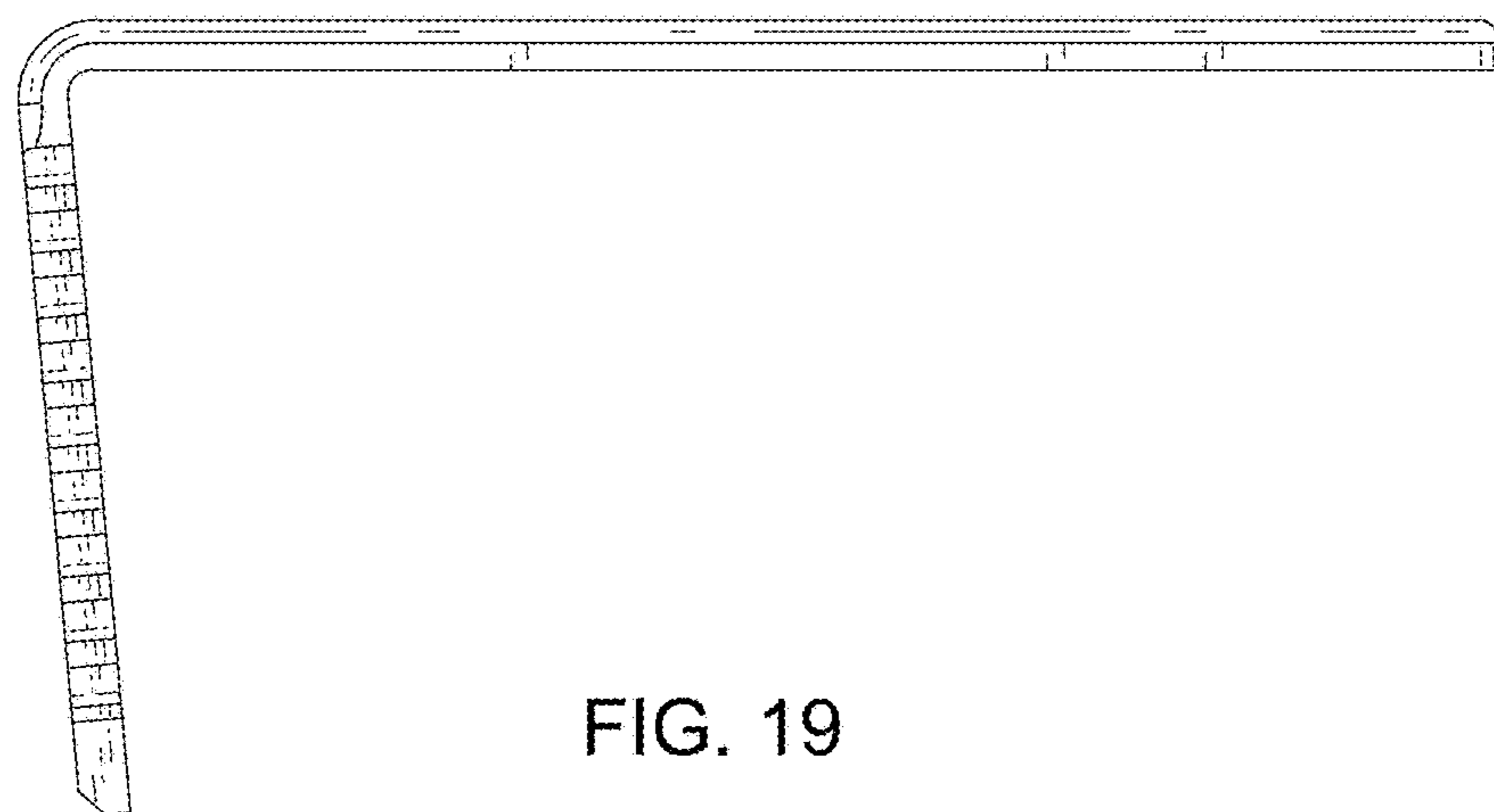


FIG. 19

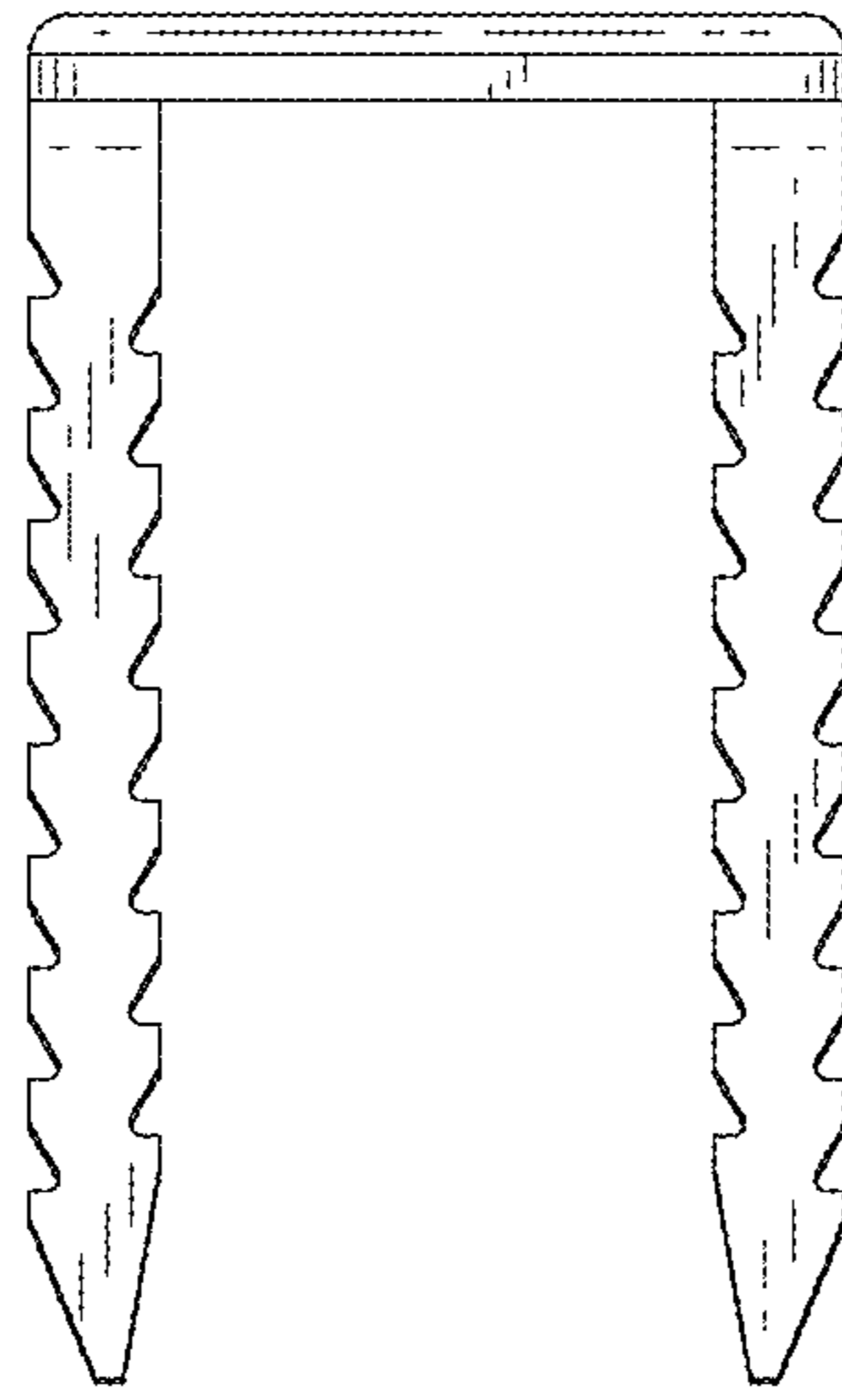


FIG. 20

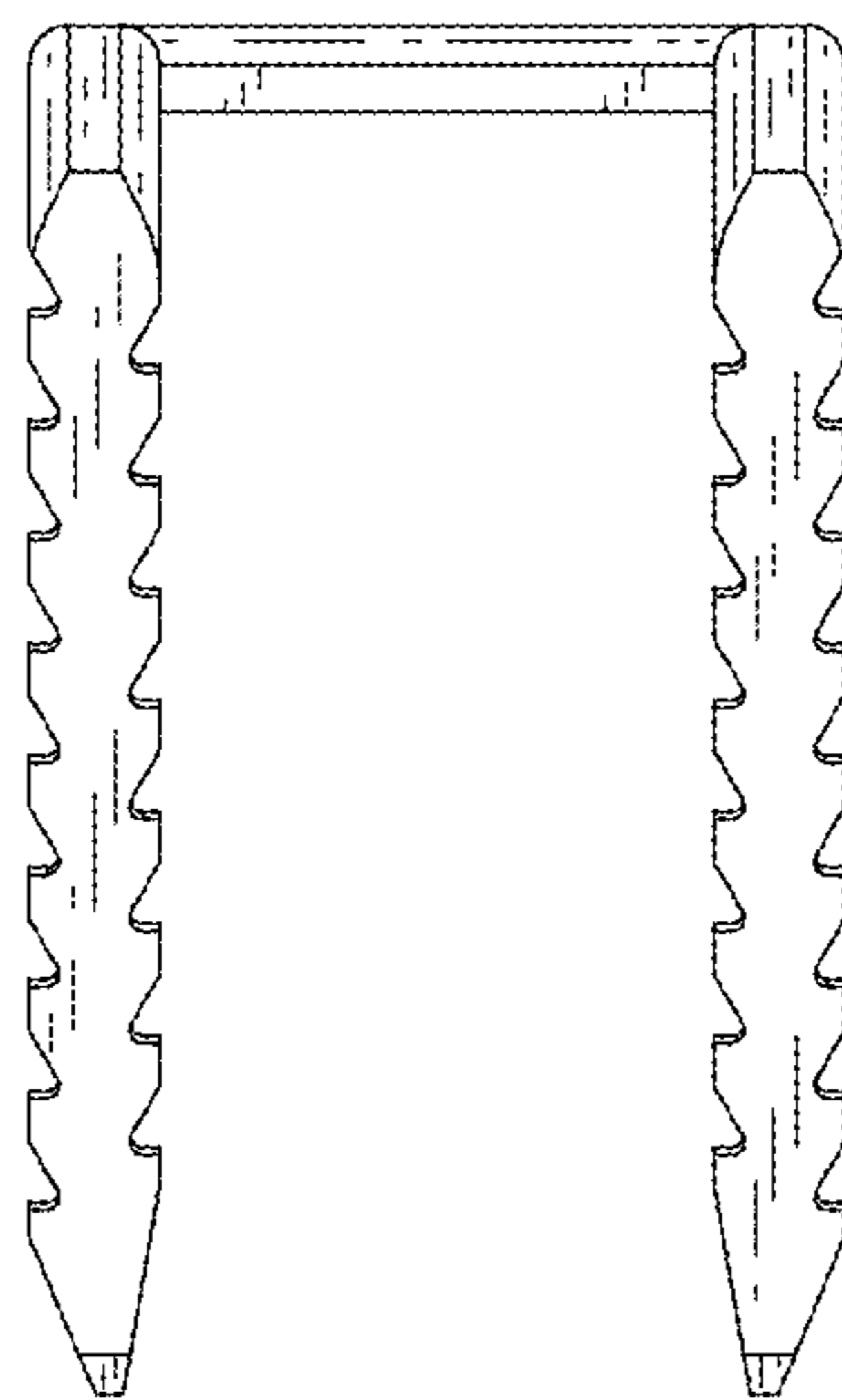


FIG. 21

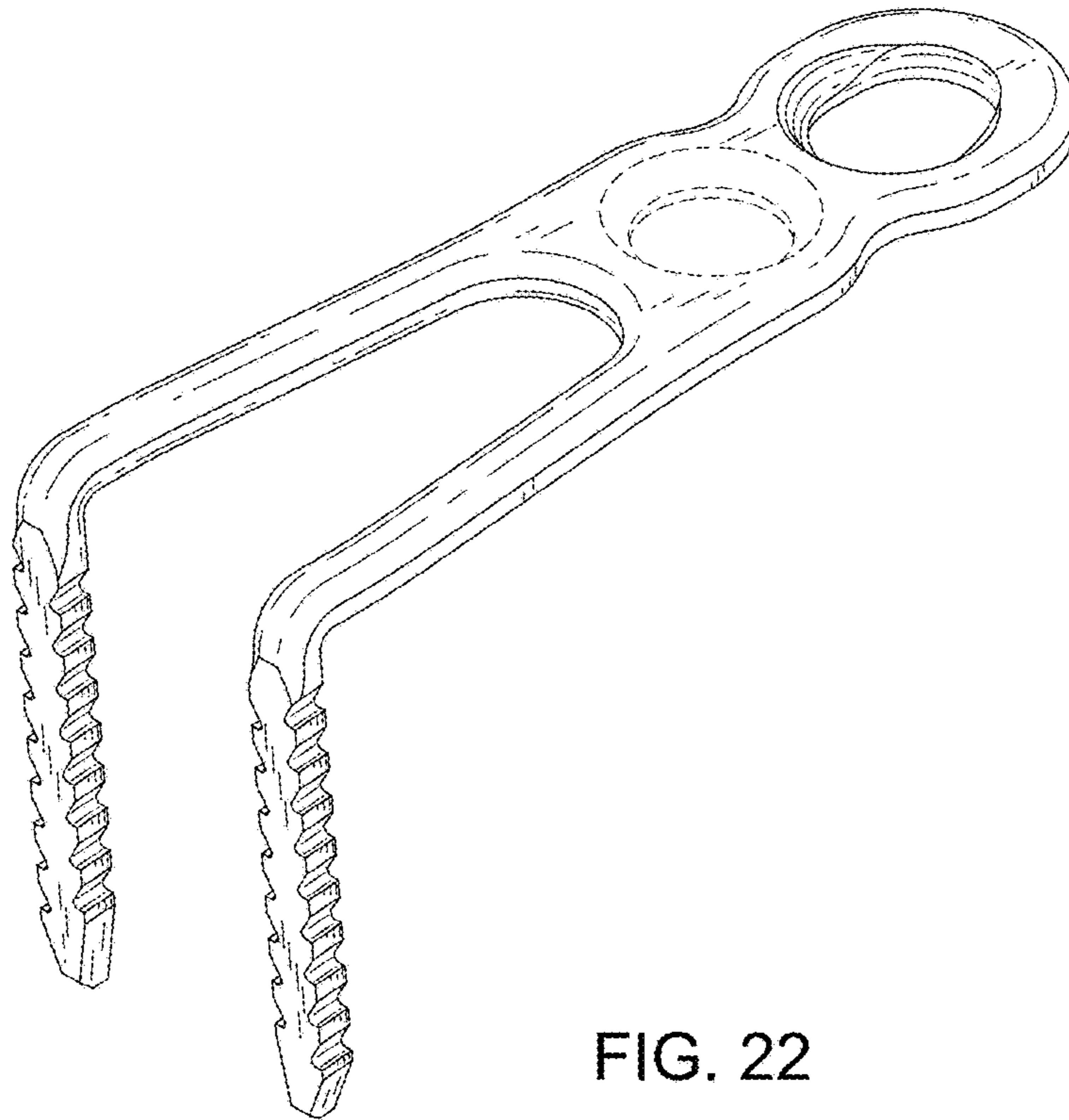


FIG. 22

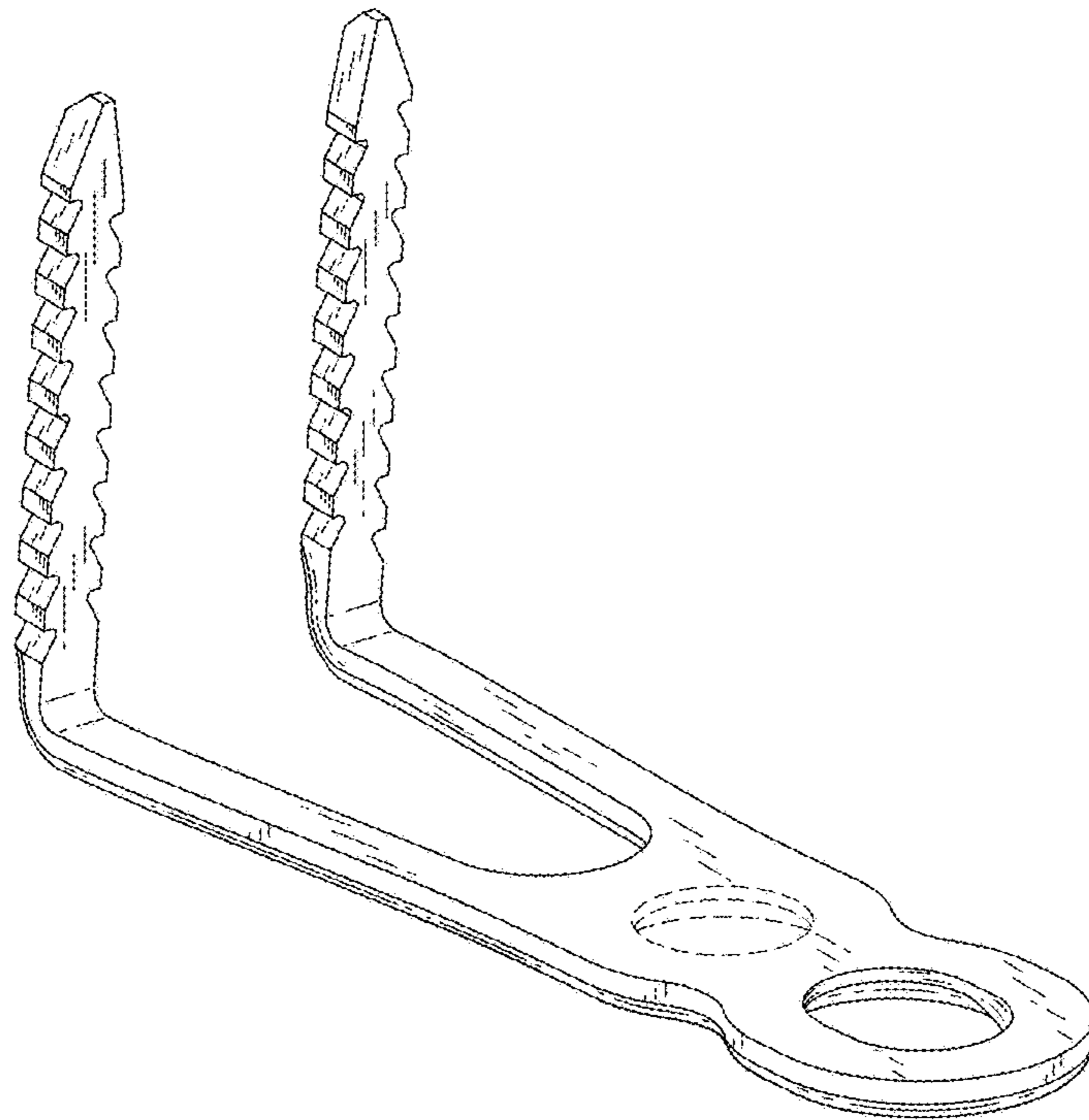


FIG. 23

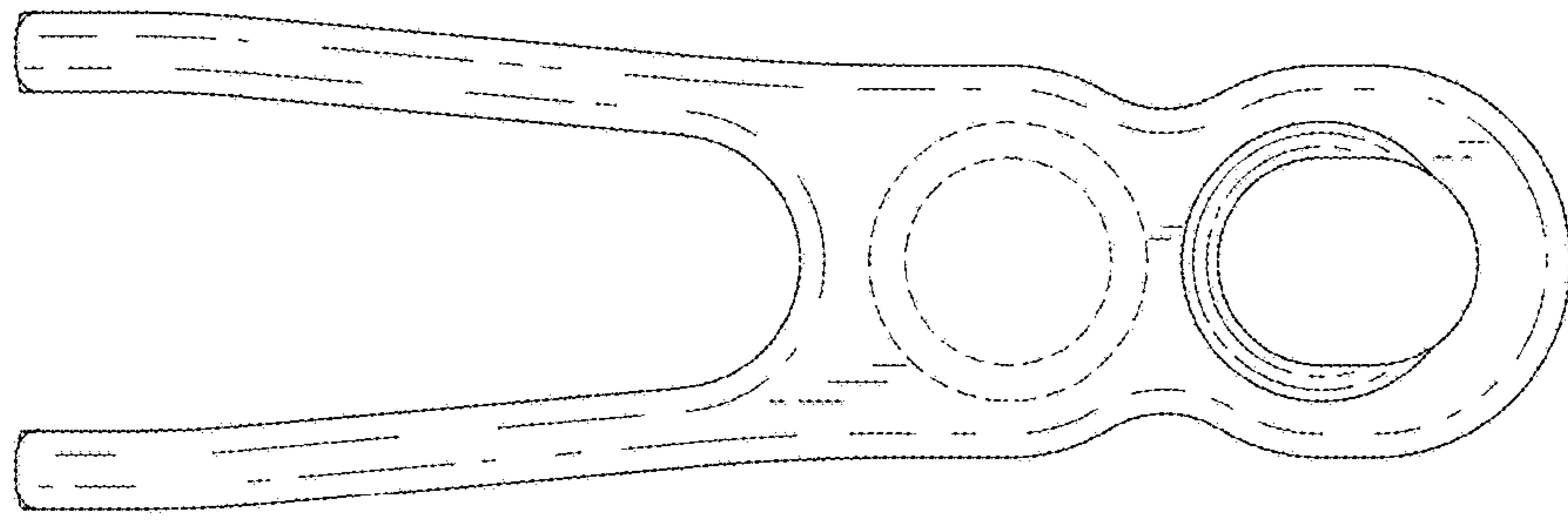


FIG. 24

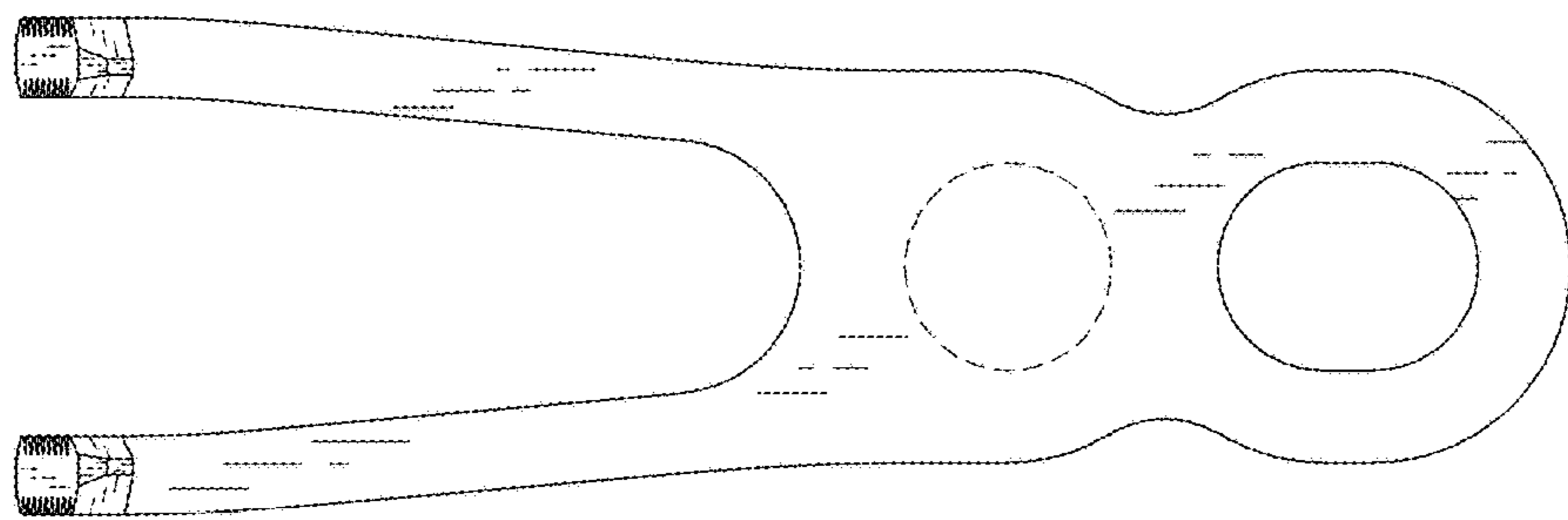


FIG. 25

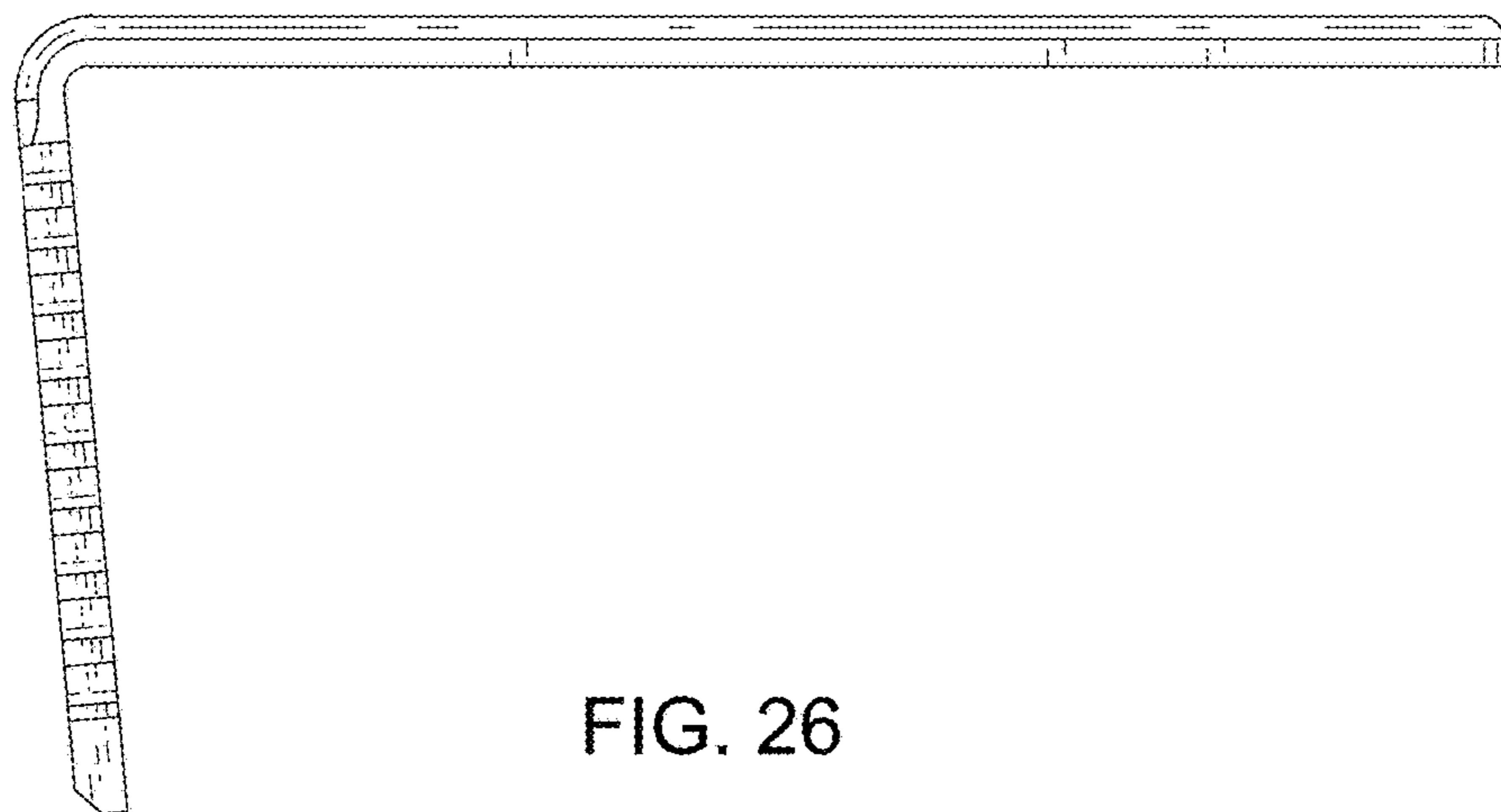


FIG. 26

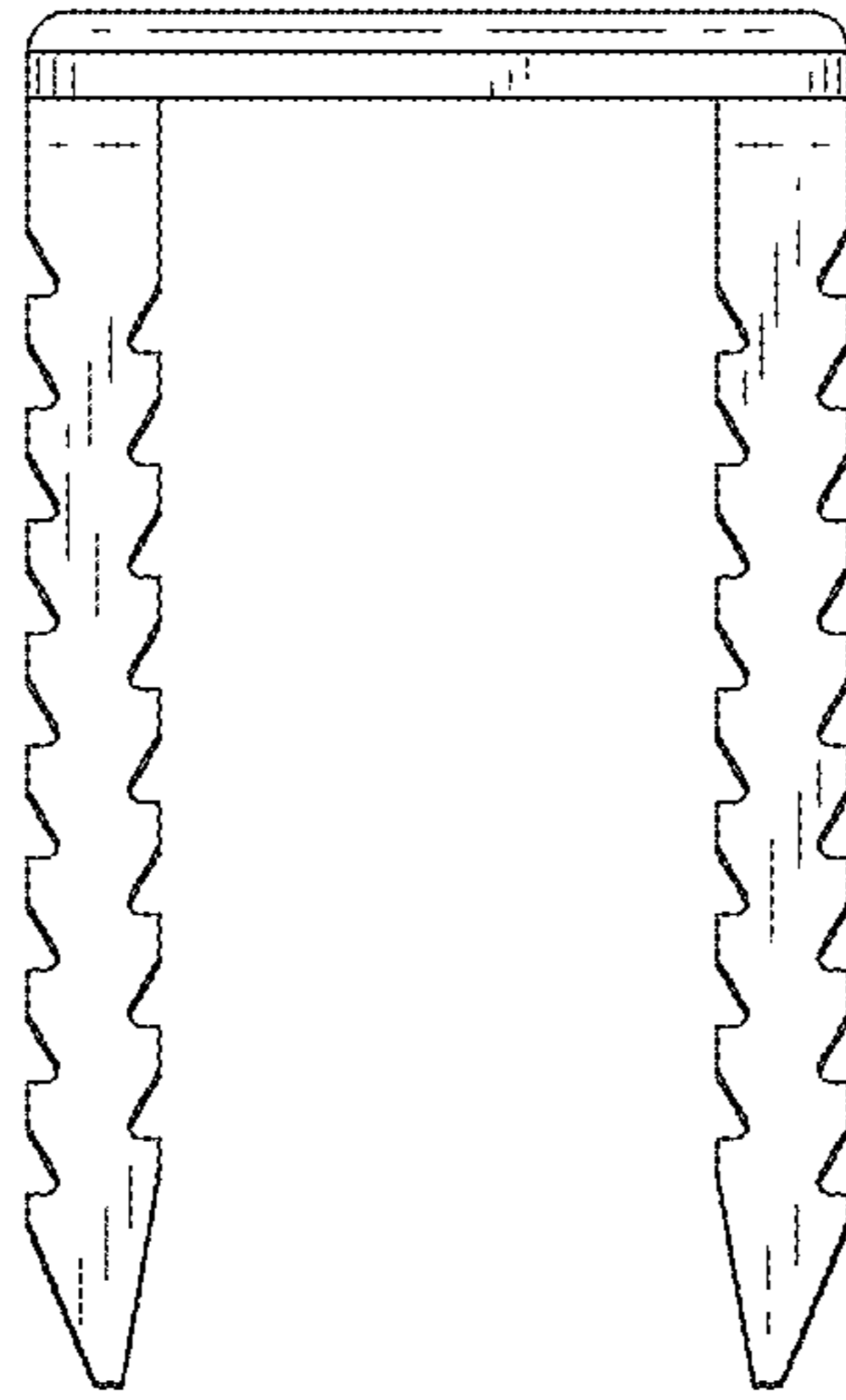


FIG. 27

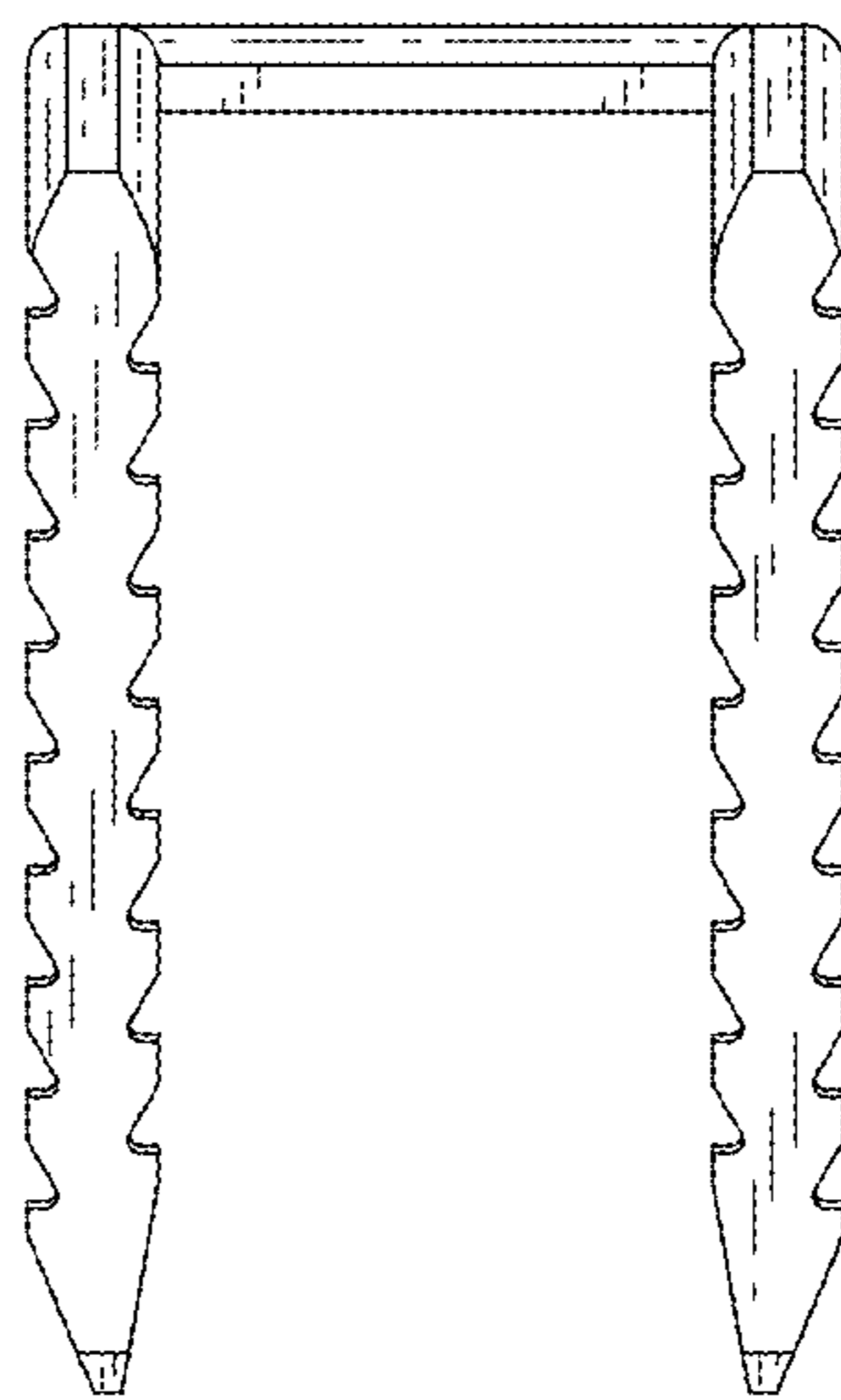


FIG. 28