



US00D840034S

(12) **United States Design Patent** (10) **Patent No.:** **US D840,034 S**
Pfeffer et al. (45) **Date of Patent:** **** Feb. 5, 2019**

(54) **SHAFT ATTACHABLE MEDICAL INSTRUMENT**

(71) Applicant: **KARL STORZ GmbH & Co. KG**,
Tuttlingen (DE)

(72) Inventors: **Marian Pfeffer**, Tuttlingen (DE);
Frank Doll, Tuttlingen (DE); **Daniel Kaercher**,
Tuttlingen (DE); **Yann Thouément**, Guyancourt (FR); **Régis Besse**,
Guyancourt (FR)

(73) Assignee: **KARL STORZ SE & Co. KG**,
Tuttlingen (DE)

(**) Term: **15 Years**

(21) Appl. No.: **29/618,825**

(22) Filed: **Sep. 25, 2017**

(30) **Foreign Application Priority Data**

Mar. 23, 2017 (EM) 003819564-0008

(51) **LOC (11) Cl.** **24-02**

(52) **U.S. Cl.**
USPC **D24/146**

(58) **Field of Classification Search**

USPC D24/127, 133, 135, 144, 146, 147, 184,
D24/214, 129, 137, 138, 139, 140, 141,
D24/187; 606/29, 32, 33, 47, 48, 50, 81,
606/82, 171; 600/414; 604/523; D8/69,
D8/70, 80, 307, 321, 333, 343
CPC A61B 17/32002; A61B 18/1442; A61B
18/14; A61B 2090/0813; A61B 17/1613;
A61B 17/1617; A61B 2017/0023; A61B
2017/00455; A61B 1/07; A61B 5/0042;
A61B 5/0084; A61F 9/00763; A61F
2002/30784; A61F 2230/0004; A61F
2230/0069; G06K 2009/00932

See application file for complete search history.

(56) **References Cited**

U.S. PATENT DOCUMENTS

D343,564 S * 1/1994 Donofrio D8/308
D348,822 S * 7/1994 Donofrio D8/308
6,090,129 A * 7/2000 Ouchi A61B 17/221
606/113
6,814,745 B2 * 11/2004 Prestel A61B 10/06
606/205
D535,397 S * 1/2007 Chen D24/146
D613,905 S * 4/2010 Sheffield D27/187
D627,463 S * 11/2010 Voic D24/144

(Continued)

Primary Examiner — Cathron C Brooks

Assistant Examiner — Samantha Q. Lawrence

(74) *Attorney, Agent, or Firm* — Muncy, Geissler, Olds &
Lowe, P.C.

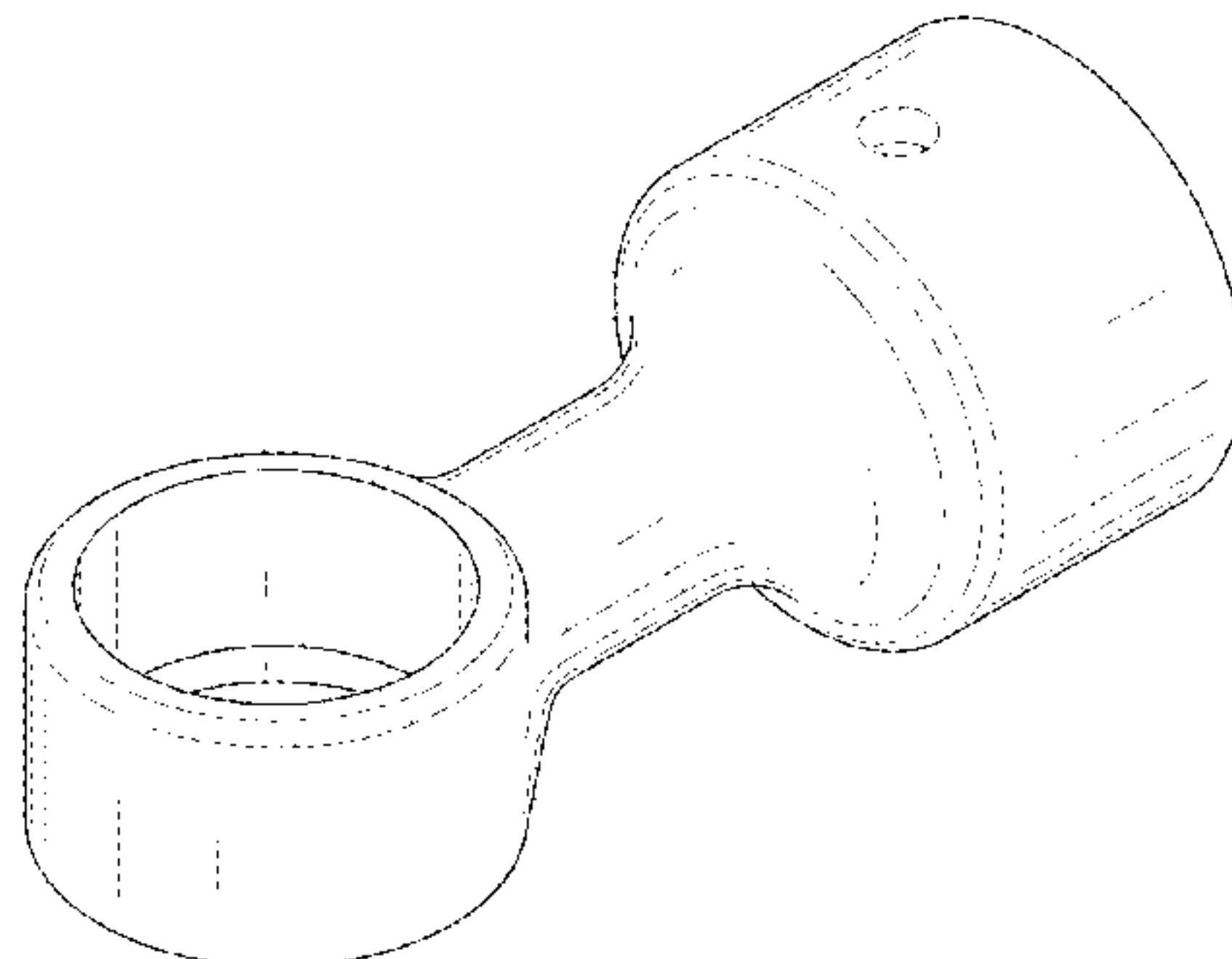
(57) **CLAIM**

The ornamental design for a shaft attachable medical instrument, as shown and described.

DESCRIPTION

FIG. 1 is a front perspective view of a shaft attachable medical instrument according to the present invention.
FIG. 2 is a front view of the shaft attachable medical instrument of FIG. 1.
FIG. 3 is a rear view of the shaft attachable medical instrument of FIG. 1.
FIG. 4 is a left side view of the shaft attachable medical instrument of FIG. 1.
FIG. 5 is a right side view of the shaft attachable medical instrument of FIG. 1.
FIG. 6 is a top view of the shaft attachable medical instrument of FIG. 1; and,
FIG. 7 is a bottom view of the shaft attachable medical instrument of FIG. 1.

(Continued)



The broken lines shown in FIGS. 1-7 illustrate portions of the shaft attachable medical instrument that form no part of the claimed design.

1 Claim, 7 Drawing Sheets

(56)

References Cited

U.S. PATENT DOCUMENTS

D731,649 S *	6/2015	Lualdi	D24/146
D736,925 S *	8/2015	Steinwachs	D24/147
D795,670 S *	8/2017	Shenton	D8/330
D812,746 S *	3/2018	Umemura	D24/133
D812,748 S *	3/2018	Funakoshi	D24/133
D822,218 S *	7/2018	Asai	D24/187
D822,837 S *	7/2018	Naka	D24/187
2006/0157071 A1 *	7/2006	Sheffield	A24F 13/22 131/257

* cited by examiner

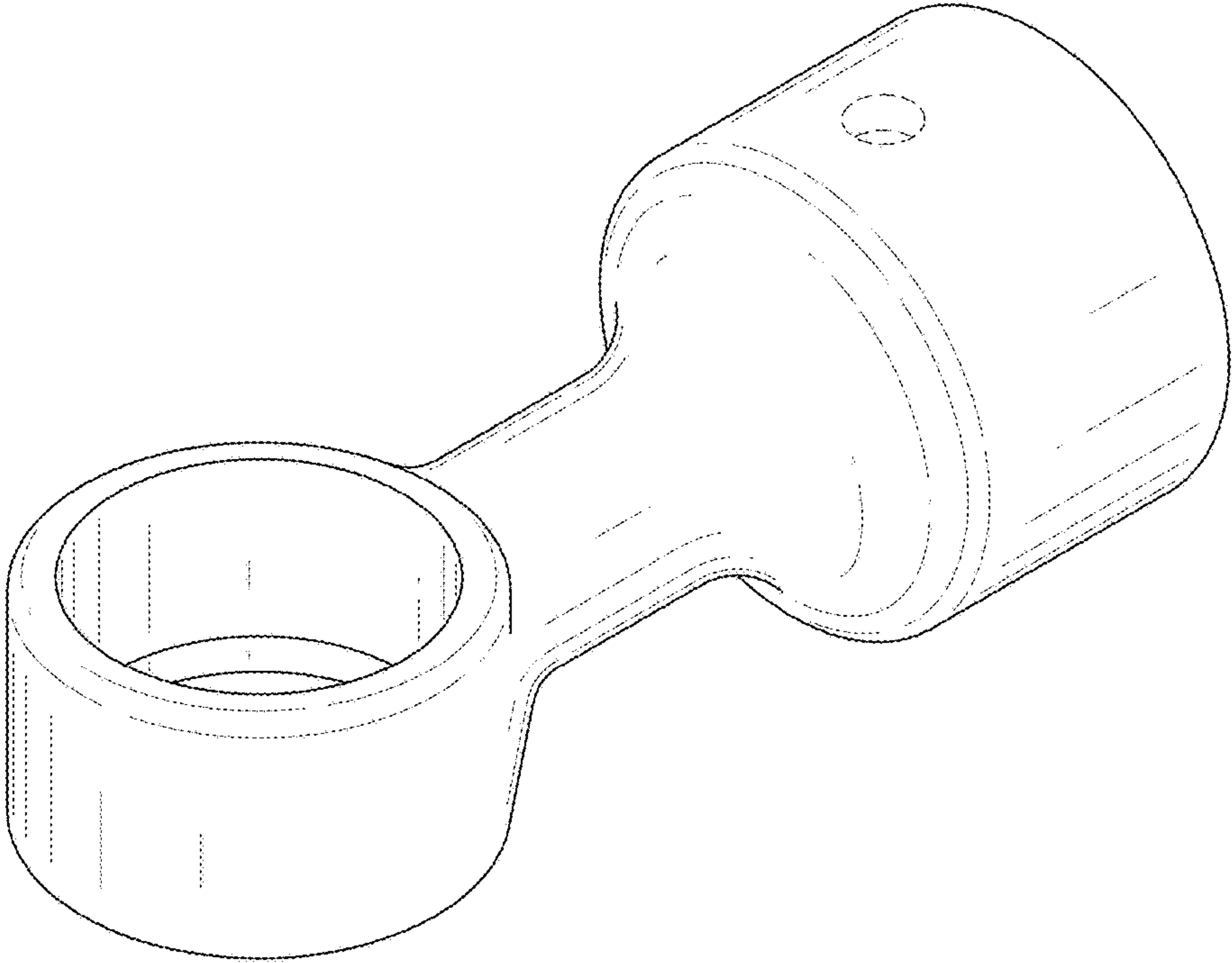


FIG. 1

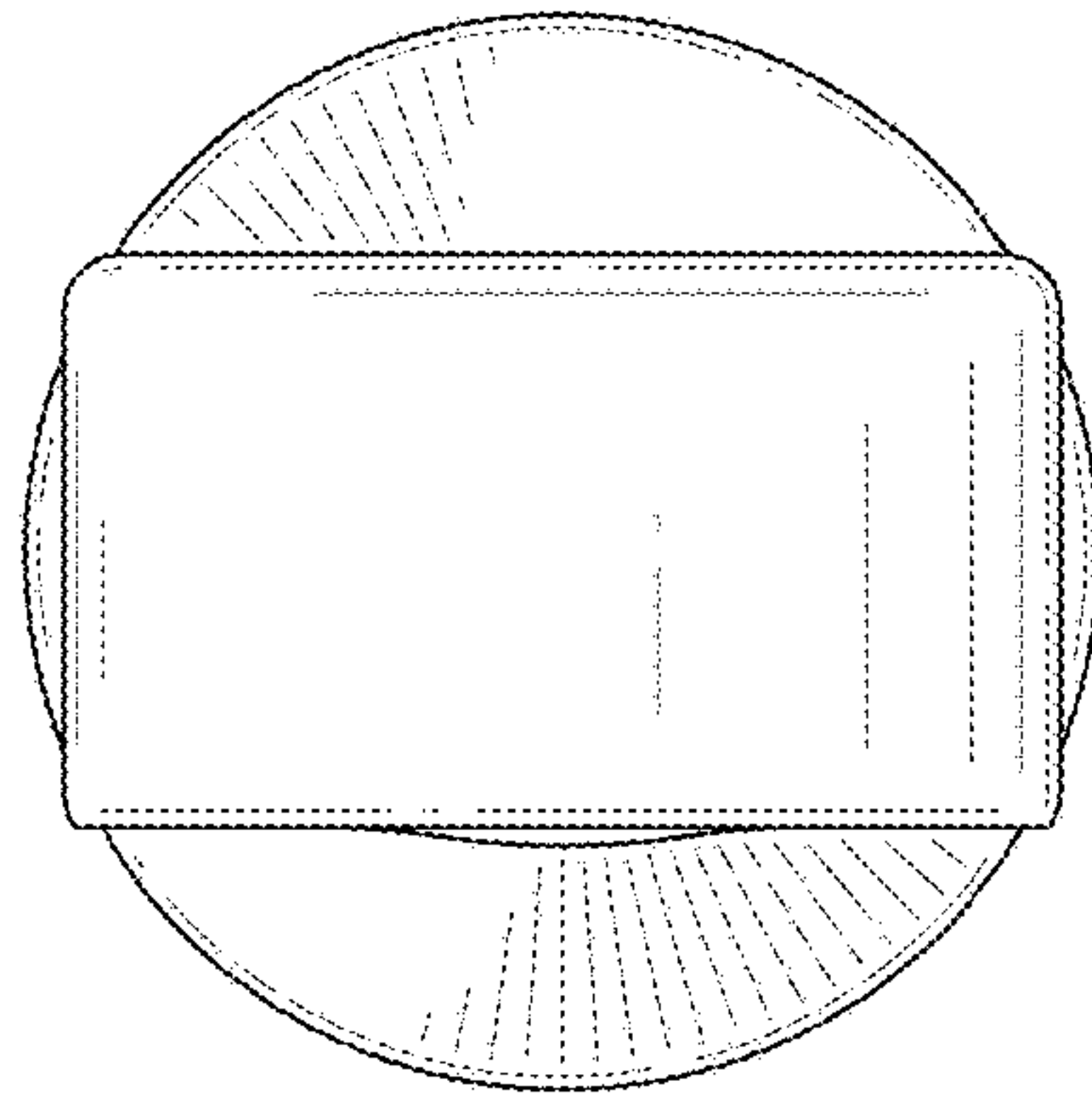


FIG. 2

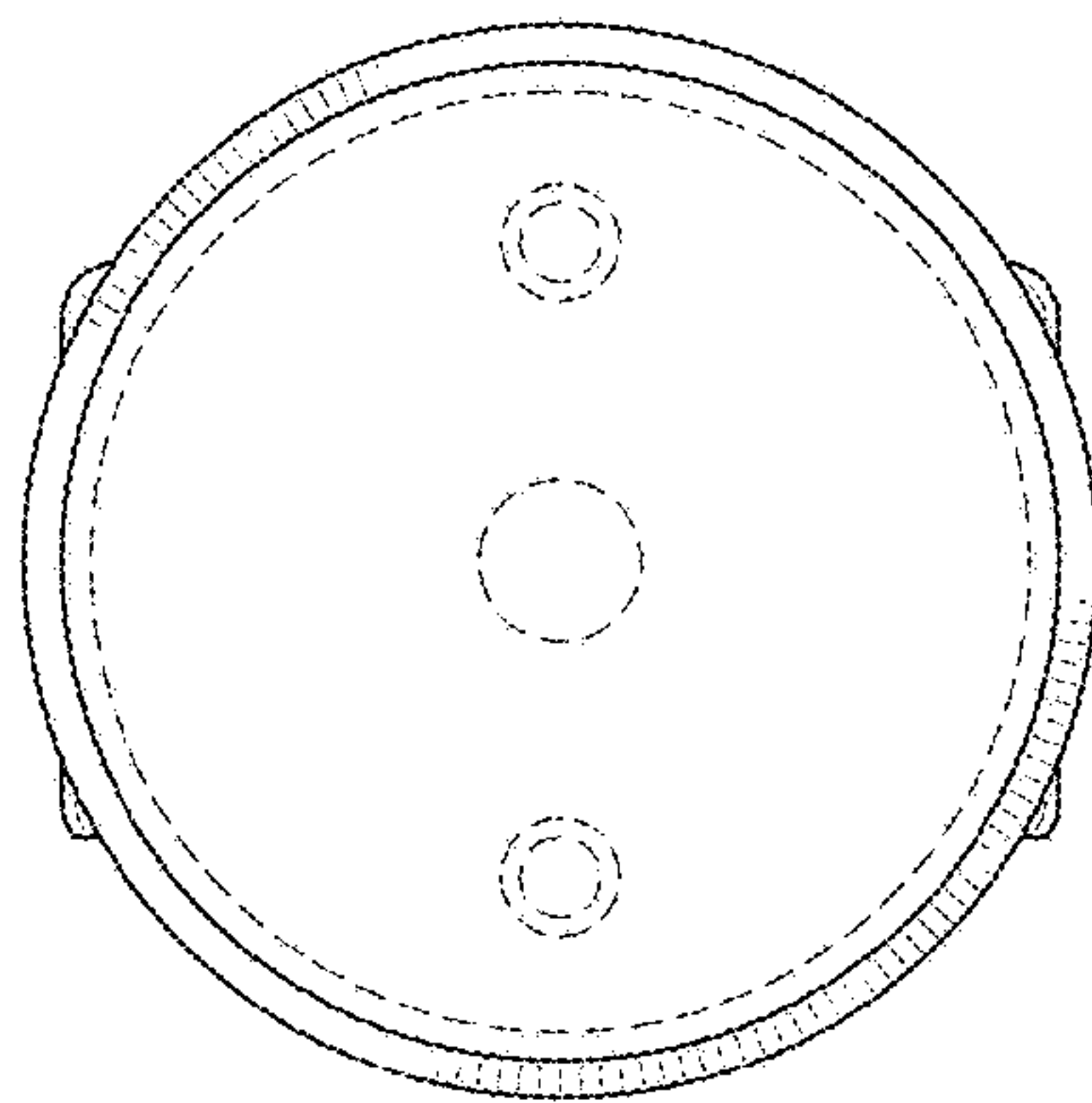


FIG.3

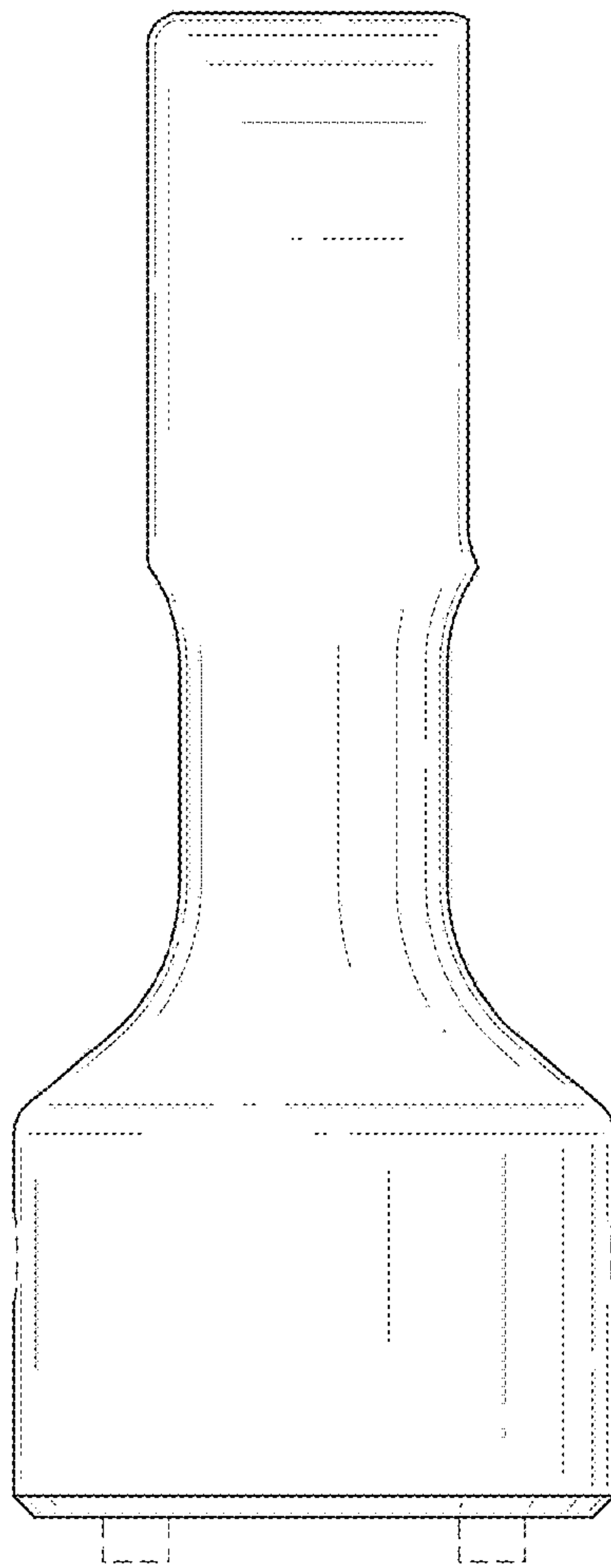


FIG.4

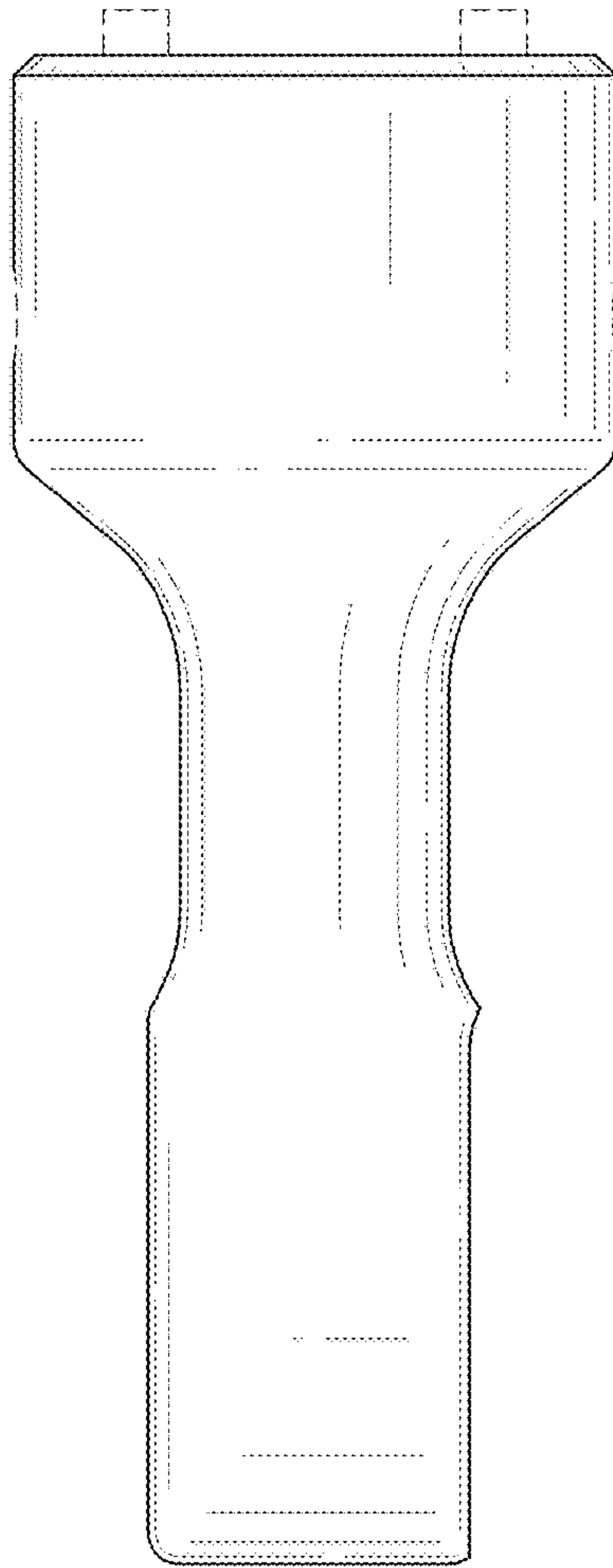


FIG. 5

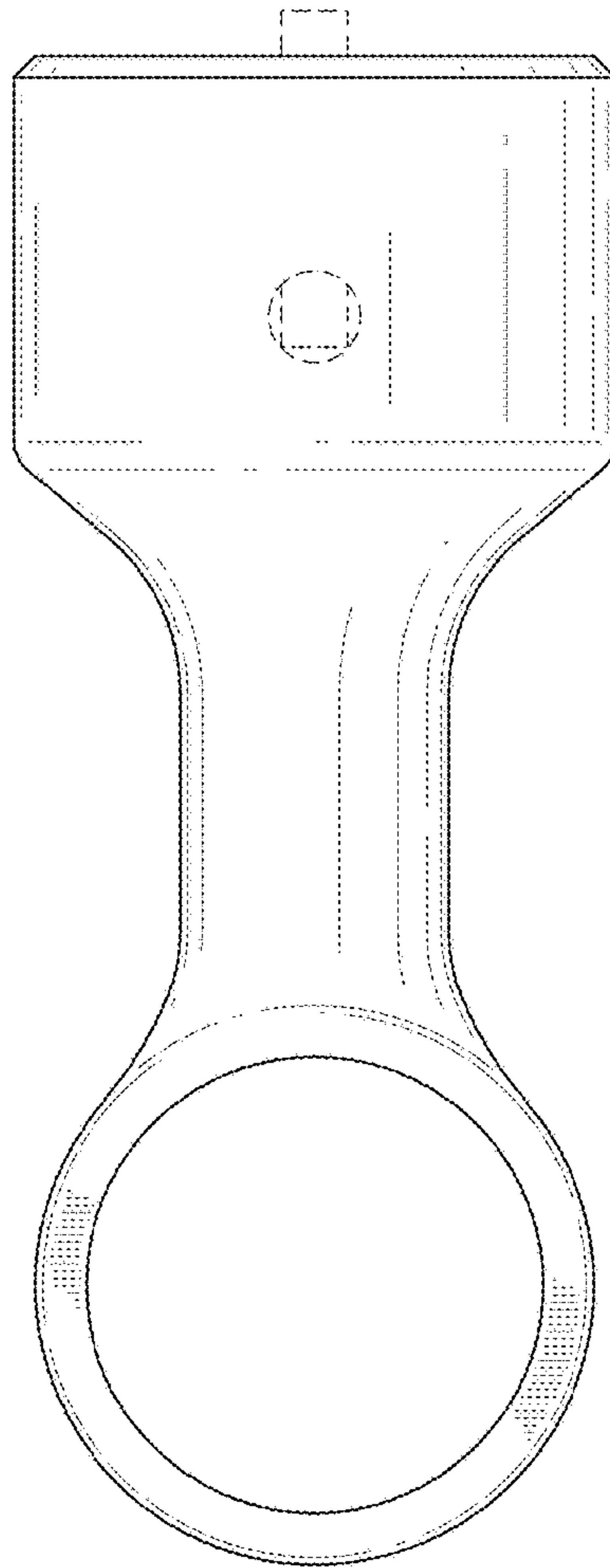


FIG.6

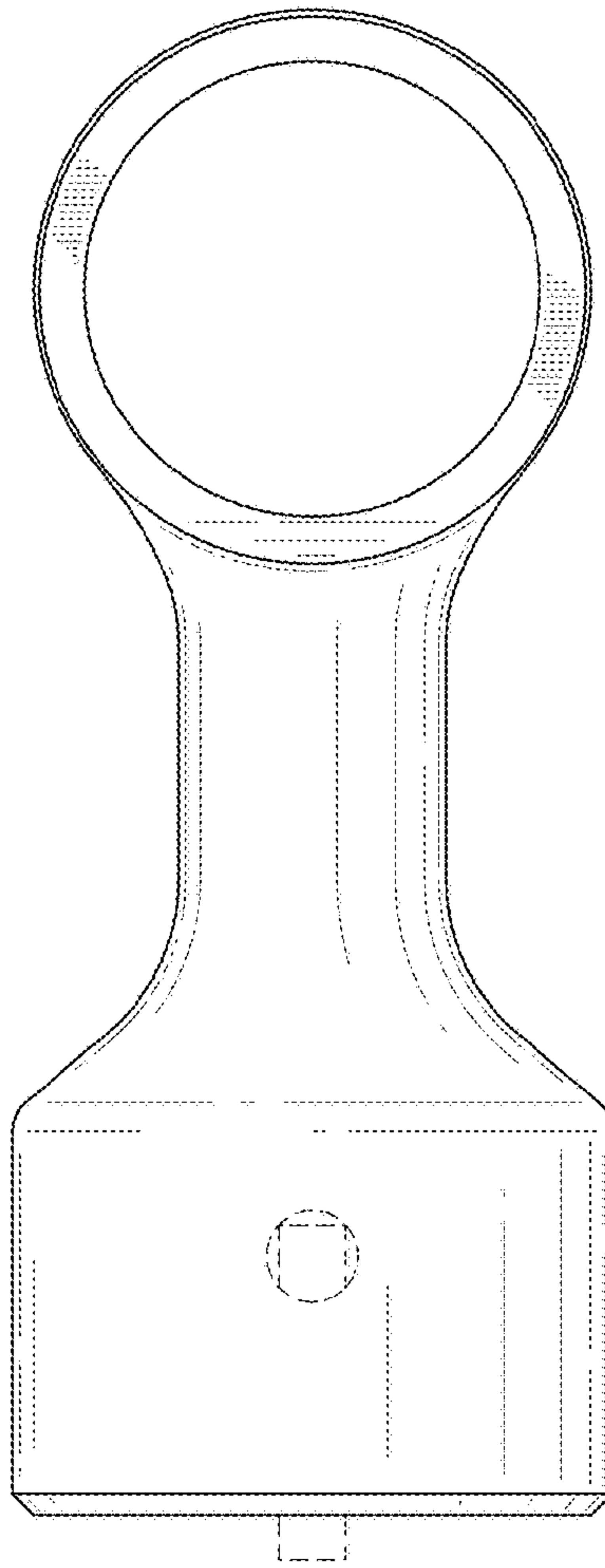


FIG.7