



US00D840033S

(12) **United States Design Patent** (10) **Patent No.:** **US D840,033 S**
Plowiecki et al. (45) **Date of Patent:** **** Feb. 5, 2019**

(54) **CATHETER WITH CUTTING ELEMENT**

(71) Applicant: **BALTON Sp. Z o.o.**, Warsaw (PL)

(72) Inventors: **Emil Plowiecki**, Warsaw (PL); **Leszek Hurkala**, Warsaw (PL)

(73) Assignee: **BALTON Sp. Z o.o.** (PL)

(**) Term: **15 Years**

(21) Appl. No.: **29/614,446**

(22) Filed: **Aug. 18, 2017**

(51) **LOC (11) Cl.** **24-02**

(52) **U.S. Cl.**
 USPC **D24/146**

(58) **Field of Classification Search**
 USPC D24/140, 107, 128, 133, 231, 232, 108,
 D24/112–114, 127, 129, 130, 146, 147,
 D24/186
 CPC A61B 17/320758; A61B 17/0401; A61B
 17/320725; A61B 18/1492; A61B
 2017/0409; A61B 2017/0441; A61B
 18/245; A61B 2017/0472; A61B
 2017/06052; A61B 2017/22038; A61B
 8/21; A61B 2017/320741; A61M
 25/0662; A61M 25/10; A61M 27/00;
 A61M 3/0279

See application file for complete search history.

(56) **References Cited**

U.S. PATENT DOCUMENTS

6,142,993 A * 11/2000 Whayne A61B 18/1492
 600/374

6,445,958 B1 * 9/2002 Machek A61N 1/0563
 607/119

6,454,775 B1 * 9/2002 Demarais A61B 17/320725
 606/128

D622,379 S * 8/2010 Singh D24/130

D638,930 S * 5/2011 Moehle D24/112

D640,785 S * 6/2011 Lee D24/112

D679,803 S * 4/2013 Carter D24/112

D695,891 S * 12/2013 Biel D24/112

8,613,754 B2 * 12/2013 Chanduszko A61F 2/01
 606/200

9,867,967 B2 * 1/2018 Gianotti A61M 25/10

9,980,747 B2 * 5/2018 Schramm A61B 17/3496

9,993,137 B2 * 6/2018 Farhadi A61B 1/00135

2017/0273710 A1 * 9/2017 Plowiecki A61B 17/320725

* cited by examiner

Primary Examiner — Cathron C Brooks
Assistant Examiner — Samantha Q Lawrence
 (74) *Attorney, Agent, or Firm* — Ware, Fressola, Maguire
 & Barber LLP

(57) **CLAIM**

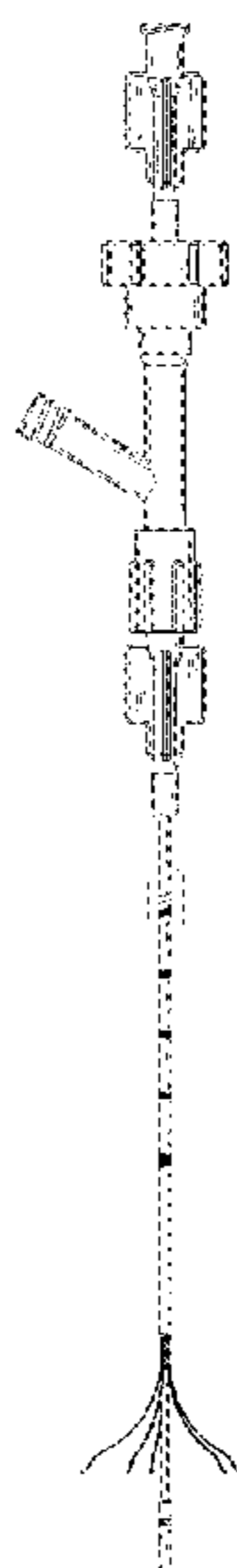
We claim the ornamental design for a catheter with cutting element, as shown and described.

DESCRIPTION

FIG. 1 is a left side view of a catheter with cutting element; FIG. 2 is a right side view of the catheter with the cutting element; FIG. 3 is a front view of the catheter with the cutting element; FIG. 4 is a top plan view of the catheter with the cutting element; and, FIG. 5 is a bottom plan view of the catheter with the cutting element.

The break lines indicate a symbolic break in length. The appearance of any portion of the article between the break lines forms no part of the claimed design.

1 Claim, 3 Drawing Sheets



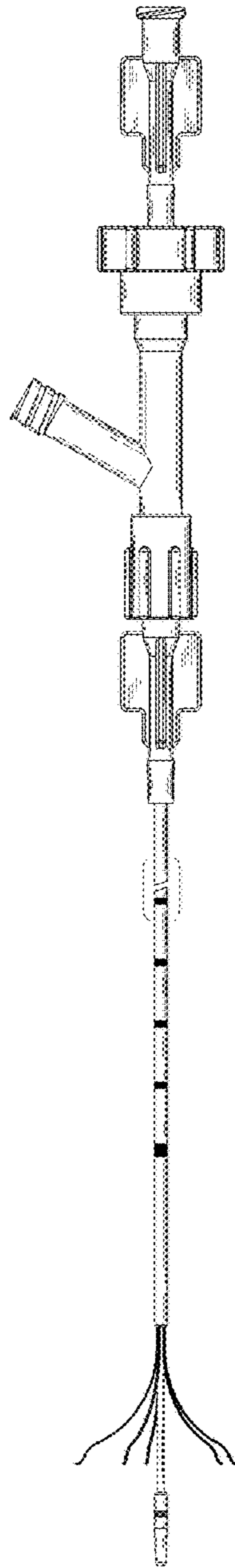


Fig. 1

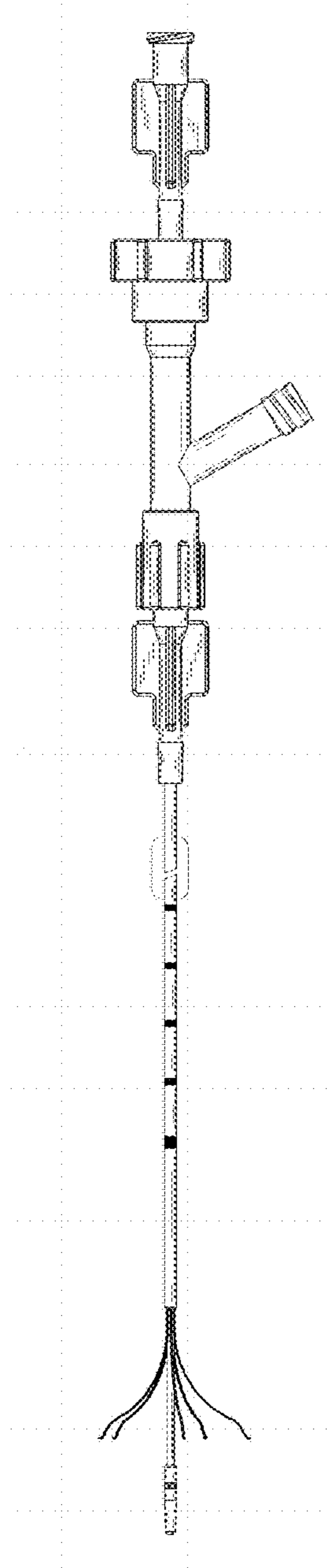


Fig. 2

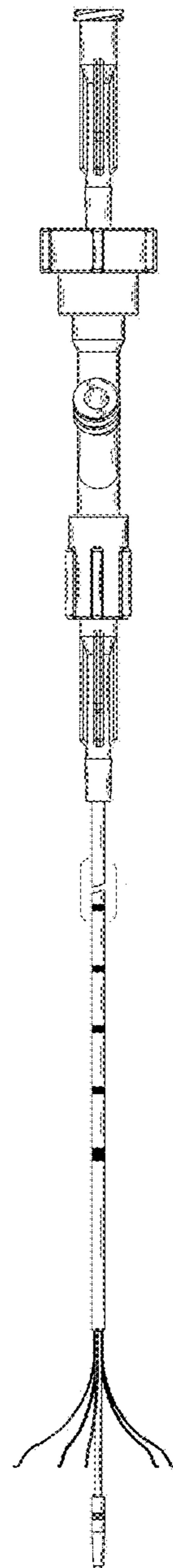


Fig. 3