

US00D840032S

(12) **United States Design Patent** (10) **Patent No.:** **US D840,032 S**  
**Clifford et al.** (45) **Date of Patent:** **\*\* \*Feb. 5, 2019**

(54) **SURGICAL DRILL**

(71) Applicant: **Stryker Corporation**, Kalamazoo, MI (US)

(72) Inventors: **Steven T. Clifford**, Byron Center, MI (US); **James K. Beachnau**, Portage, MI (US); **Craig E. Volstromer**, Marshall, MI (US); **Aaron T. Johnson**, Vicksburg, MI (US); **Benjamin Purrenhage**, Kalamazoo, MI (US)

(73) Assignee: **Stryker Corporation**, Kalamazoo, MI (US)

(\*) Notice: This patent is subject to a terminal disclaimer.

(\*\*) Term: **15 Years**

(21) Appl. No.: **29/598,918**

(22) Filed: **Mar. 29, 2017**

(51) **LOC (11) Cl.** ..... **24-02**

(52) **U.S. Cl.**  
USPC ..... **D24/146**

(58) **Field of Classification Search**  
USPC ..... D24/127, 130, 133, 146, 147, 148;  
D8/93, 97, 300, 310, 311, 313, 14, 14.1,  
D8/29.1, 29.2, 30, 61, 68; D19/110, 115;  
D7/649; D23/223, 226, 229; 222/525,  
222/566, 567, 568, 569, 572, 575, 333,  
222/390  
CPC ..... B26B 3/00; B26B 1/10; A61B 17/089;  
A61B 17/1617; A61B 17/3211; A61B  
17/3417; A61B 5/1411; A61B 17/1624;  
A61B 17/162; A61B 17/1622; A61B  
2017/00424; B05C 17/103; B05C 17/116;  
B05C 17/01

See application file for complete search history.

(56) **References Cited**

U.S. PATENT DOCUMENTS

D329,092 S \* 9/1992 Carusillo ..... D24/146  
D364,463 S \* 11/1995 Pitzen ..... D24/146  
5,993,454 A \* 11/1999 Longo ..... A61B 17/1624  
606/80

(Continued)

OTHER PUBLICATIONS

Stryker Corporation, "Cordless Driver 31 / CD4 Proficiency Assessment," 2015, 4 pages.

(Continued)

*Primary Examiner* — Cathron C Brooks

*Assistant Examiner* — Samantha Q. Lawrence

(74) *Attorney, Agent, or Firm* — Howard & Howard Attorneys PLLC

(57) **CLAIM**

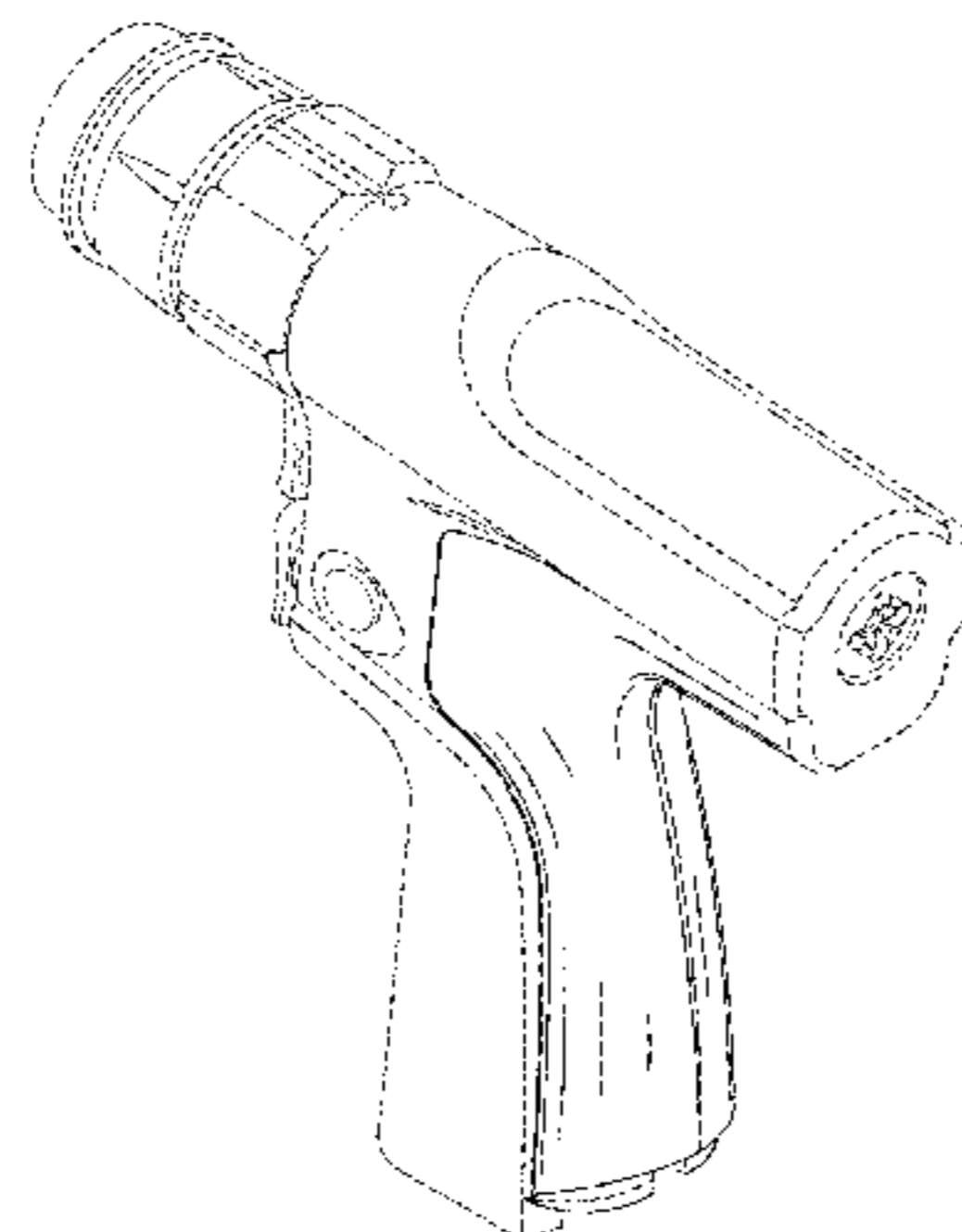
The ornamental design for a surgical drill, as shown and described.

**DESCRIPTION**

FIG. 1 is a top, front perspective view of a surgical drill; FIG. 2 is a top, front left perspective view thereof; FIG. 3 is a bottom, front right perspective view thereof; FIG. 4 is a bottom, front left perspective view thereof; FIG. 5 is a top, rear right perspective view thereof; FIG. 6 is a top, rear left perspective view thereof; FIG. 7 is a bottom, rear right perspective view thereof; FIG. 8 is a bottom, rear left perspective view thereof; FIG. 9 is a left side elevational view thereof; FIG. 10 is a right side elevational view thereof; FIG. 11 is a bottom plan view thereof; and, FIG. 12 is a rear elevational view thereof.

The broken lines shown in FIGS. 1-12 illustrate, portions of a surgical drill that form no part of the claimed design.

(Continued)



Additionally, the broken lines shown in FIGS. 5-12 which surround a rear surface and notch under the rear surface illustrate portions of the surgical drill that form no part of the claimed design.

**1 Claim, 12 Drawing Sheets**

(56)

**References Cited**

U.S. PATENT DOCUMENTS

D420,879 S \* 2/2000 Watson ..... D8/68  
 6,123,235 A \* 9/2000 Hsu ..... B05C 17/0103  
 192/69.7  
 D456,678 S \* 5/2002 Karten ..... D8/29.1  
 D463,237 S \* 9/2002 Sims ..... D8/68  
 D499,624 S \* 12/2004 Concari ..... D8/68  
 D516,883 S \* 3/2006 Popov ..... D8/29.1  
 D531,874 S \* 11/2006 Wu ..... D8/68  
 7,195,230 B2 \* 3/2007 Fast-Karberg ..... G02B 6/4463  
 226/91  
 D545,152 S \* 6/2007 Lopano ..... D8/14.1  
 D573,425 S \* 7/2008 Post ..... D8/14.1  
 D594,983 S \* 6/2009 Price ..... D24/133  
 7,637,392 B2 \* 12/2009 Hsu ..... B05C 17/0103  
 222/137

D620,593 S \* 7/2010 Tran ..... D24/144  
 D635,835 S \* 4/2011 Post ..... D8/14.1  
 D660,663 S \* 5/2012 Brummitt ..... D8/14.1  
 D673,020 S \* 12/2012 Brummitt ..... D23/223  
 D687,273 S \* 8/2013 Breitenmoser ..... D8/14.1  
 D687,549 S \* 8/2013 Johnson ..... D24/133  
 D700,966 S \* 3/2014 O'Leary ..... D24/146  
 D709,194 S \* 7/2014 Miller ..... D24/143  
 8,870,093 B2 \* 10/2014 Brummitt ..... B05B 7/045  
 222/105  
 D725,978 S \* 4/2015 Uematsu ..... D8/14.1  
 D736,887 S \* 8/2015 Schwarz ..... D23/223  
 D743,547 S \* 11/2015 Chang ..... D24/146  
 D759,237 S \* 6/2016 Heath ..... D24/133  
 D794,196 S \* 8/2017 Russell ..... D24/146  
 D817,136 S \* 5/2018 Becket ..... D8/68  
 D817,137 S \* 5/2018 Becket ..... D8/68  
 2012/0043102 A1 \* 2/2012 Okuda ..... B25F 5/02  
 173/217

OTHER PUBLICATIONS

Stryker Corporation, "Stryker Cordless Driver 3", 2017, 1 page.  
 Stryker Corporation, "Stryker Cordless Driver III", 2017, 1 page.  
 Stryker Instruments, "System 7 Recon Power Tools", 2013, 4 pages.  
 Youtube, "Stryker Complete Cordless Driver 3 System with Biosteon  
 ACL Kit", Jan. 18, 2016, 3 pages.

\* cited by examiner

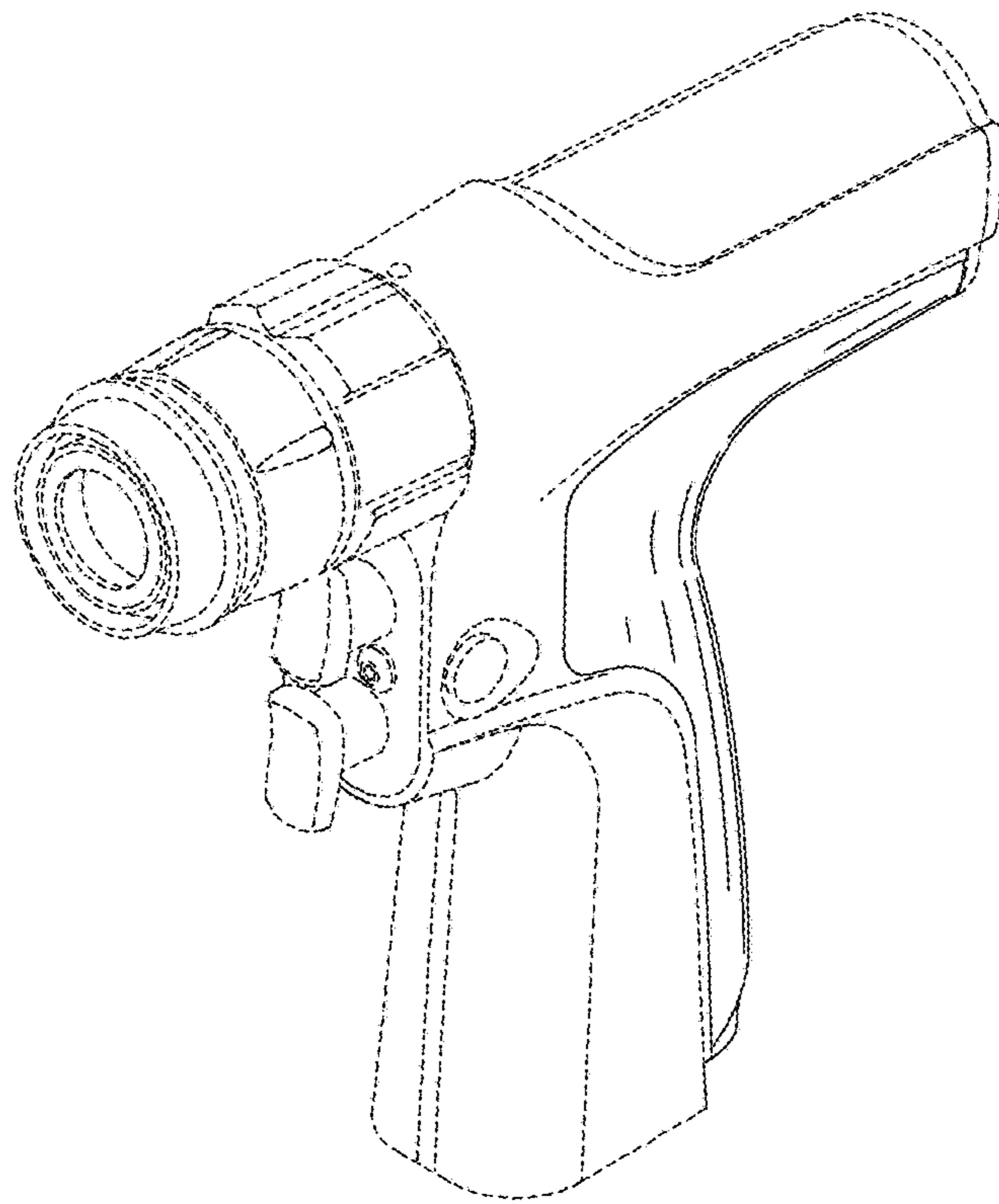


FIG. 1

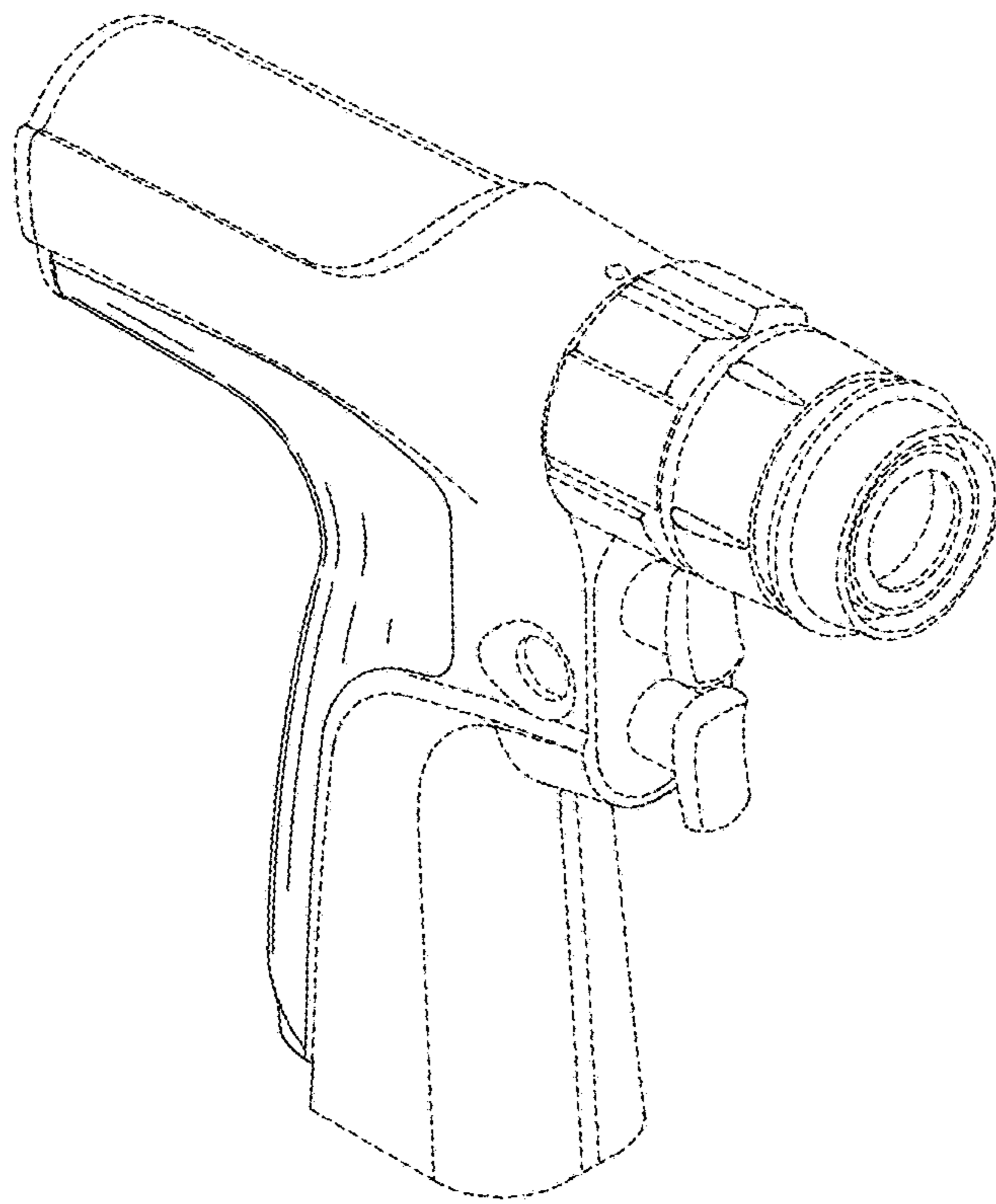


FIG. 2

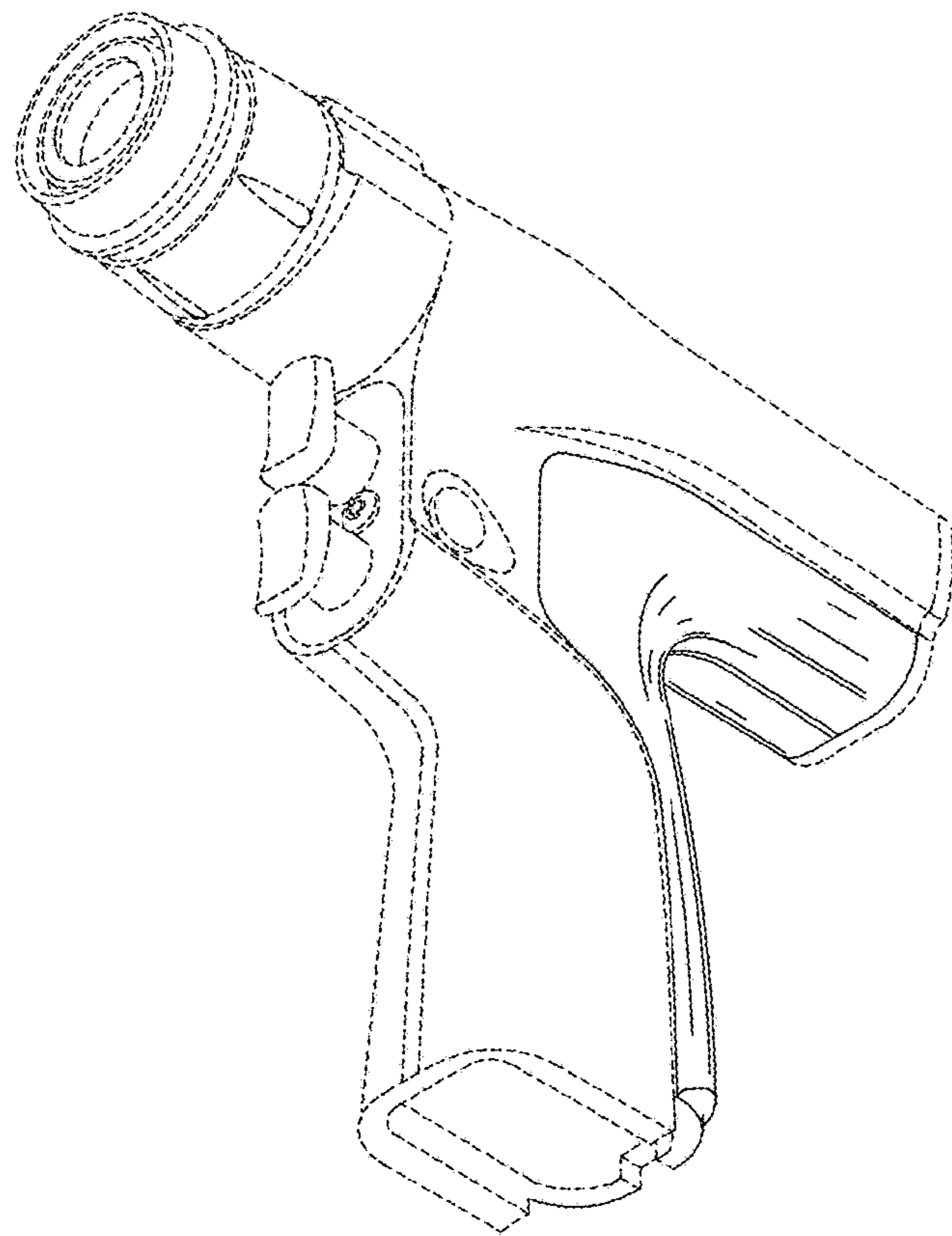


FIG. 3

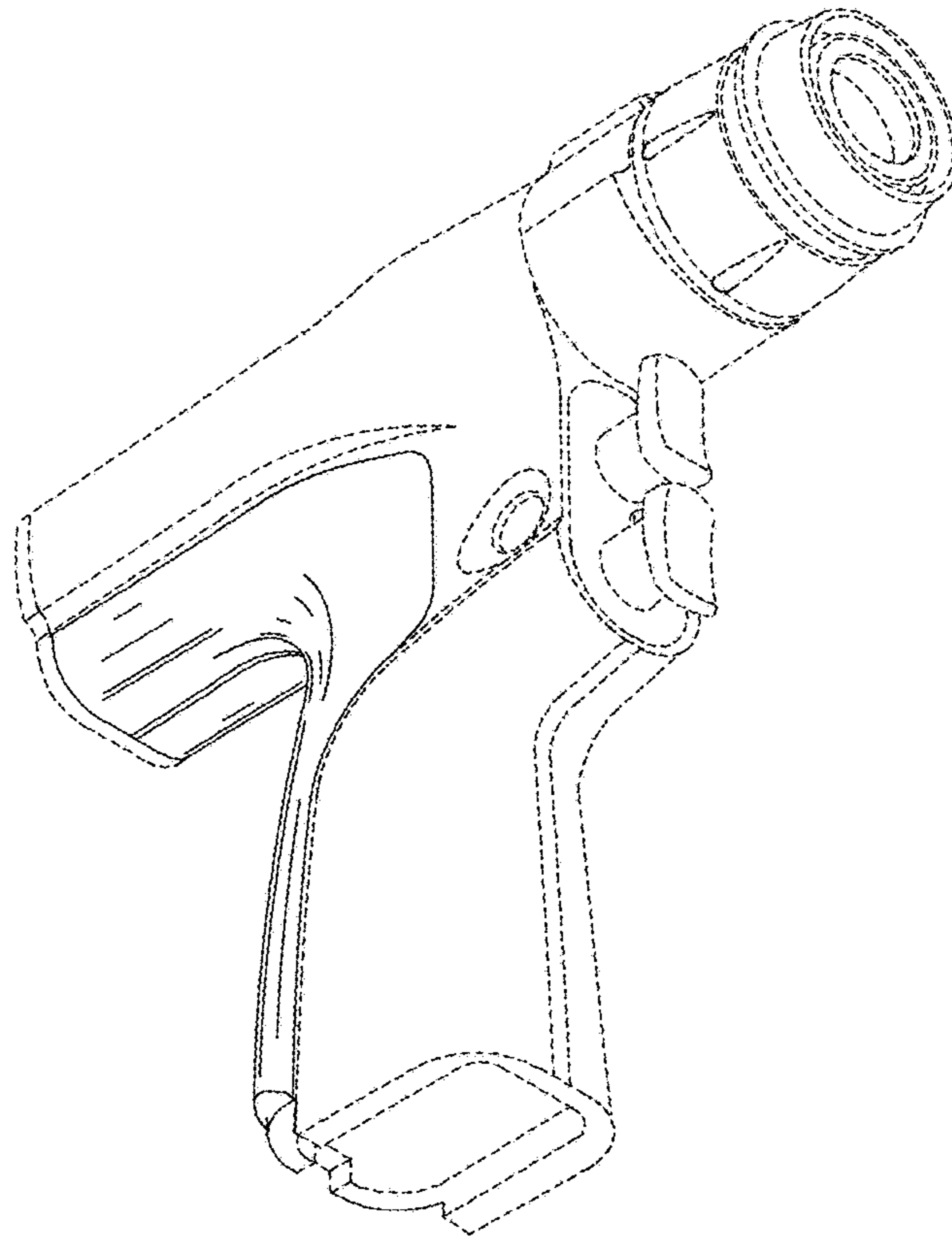


FIG. 4

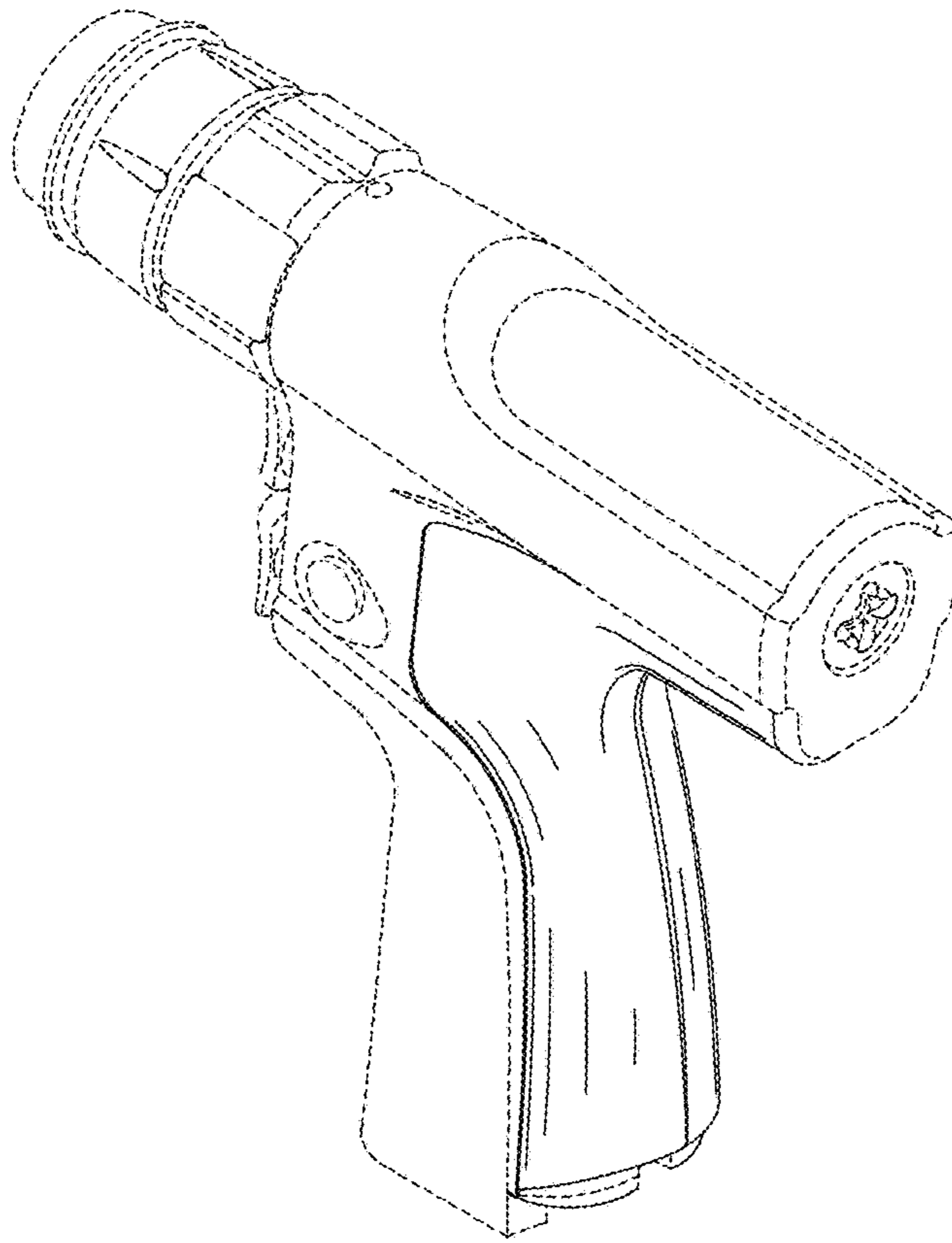


FIG. 5

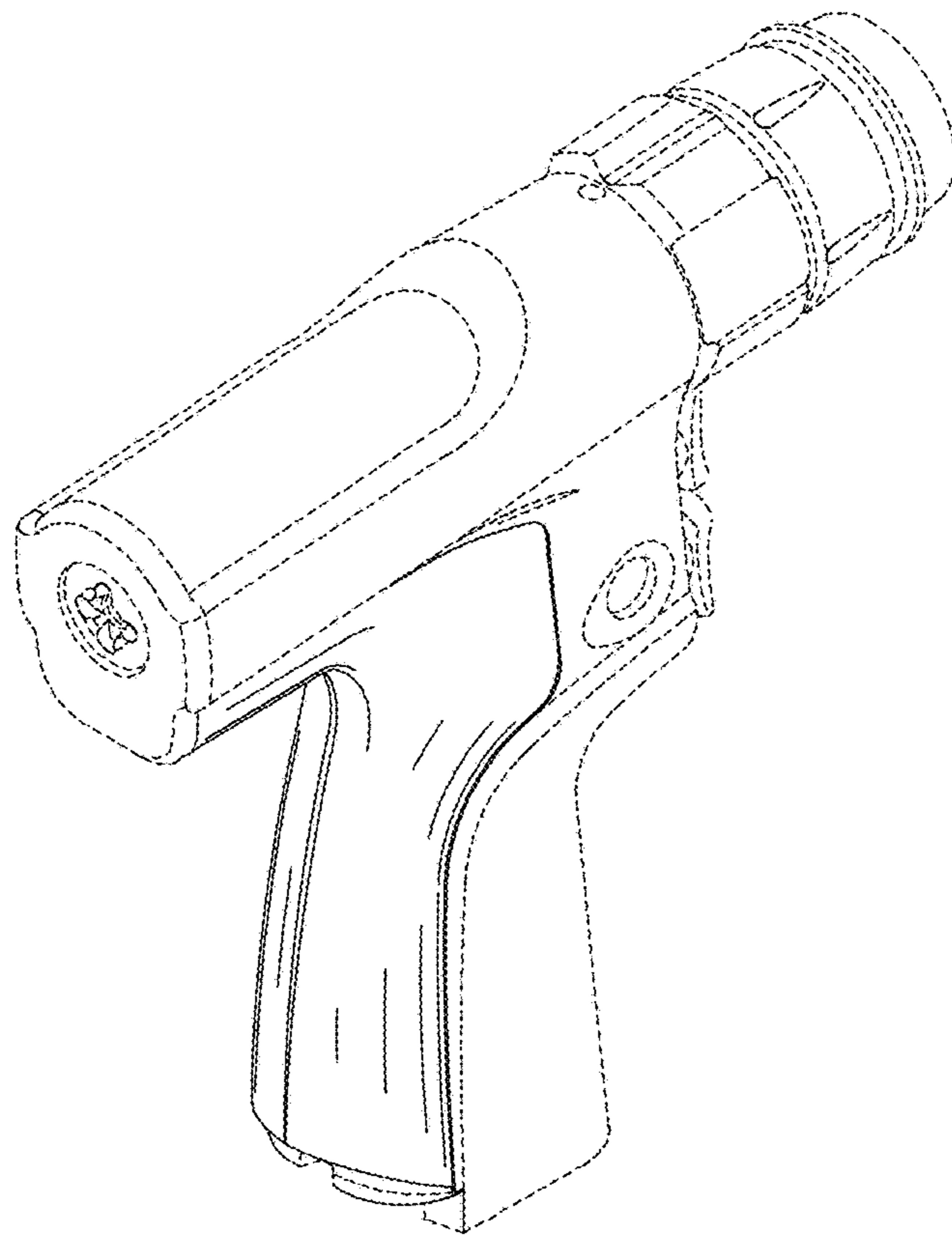


FIG. 6



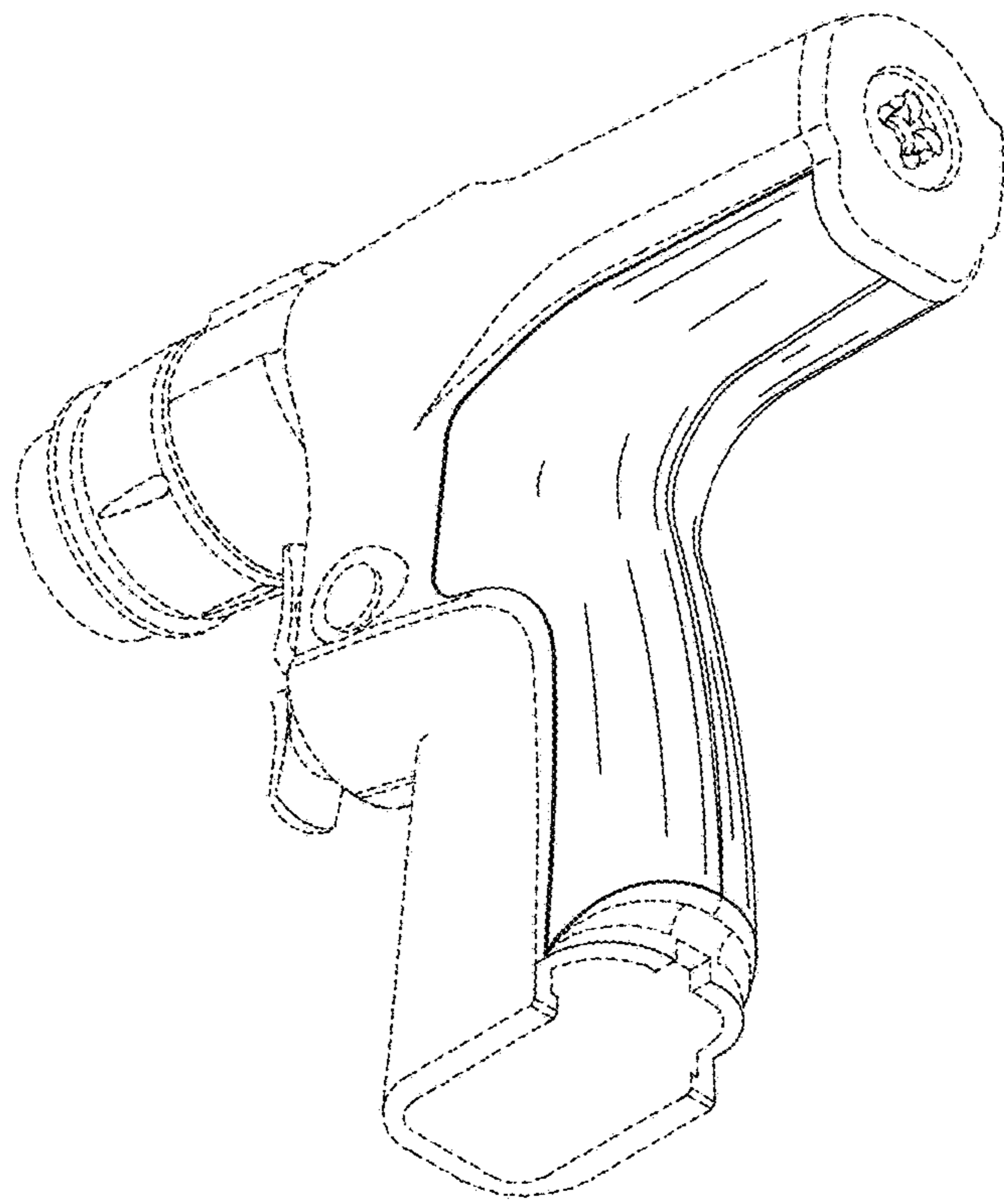


FIG. 7

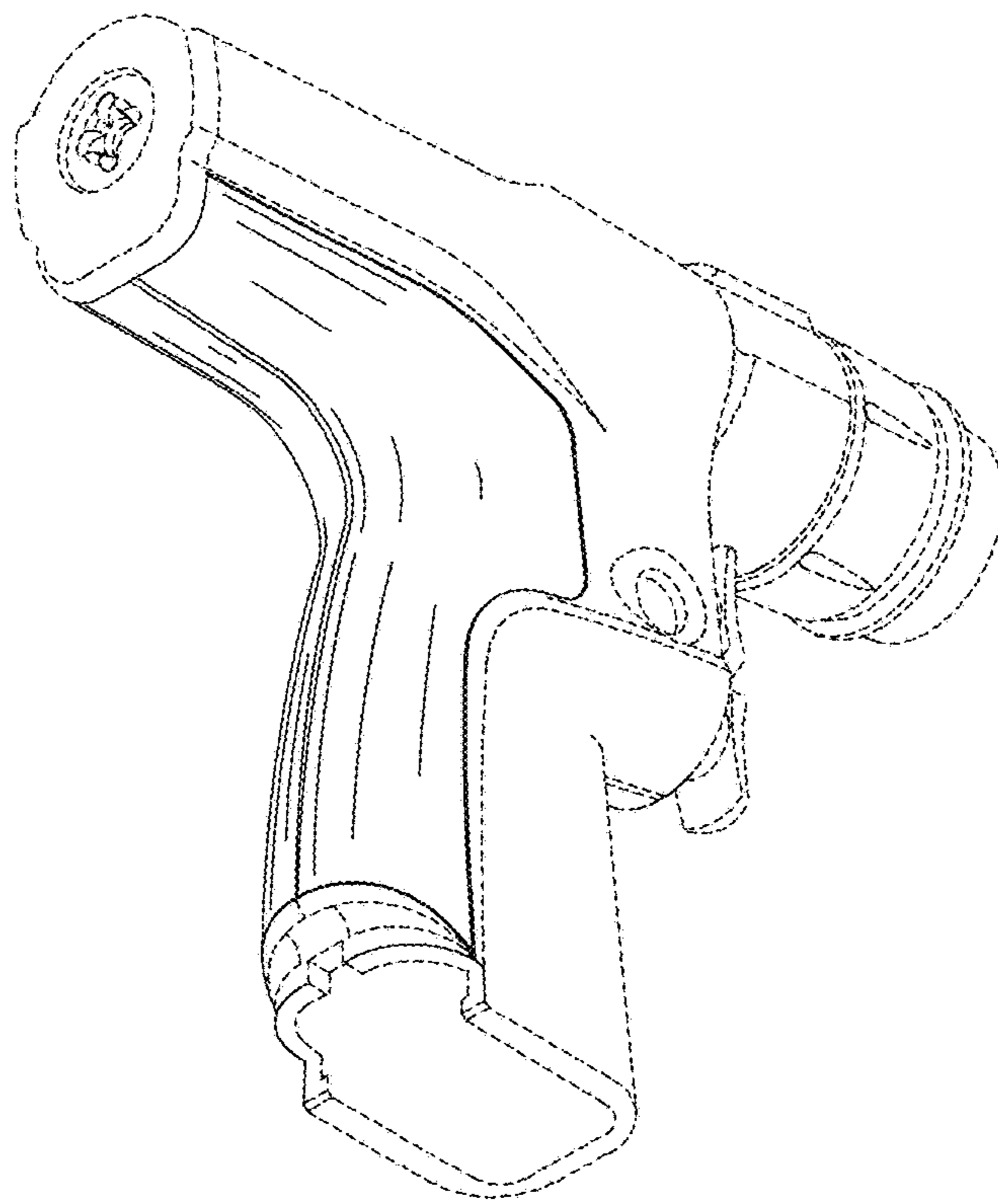


FIG. 8

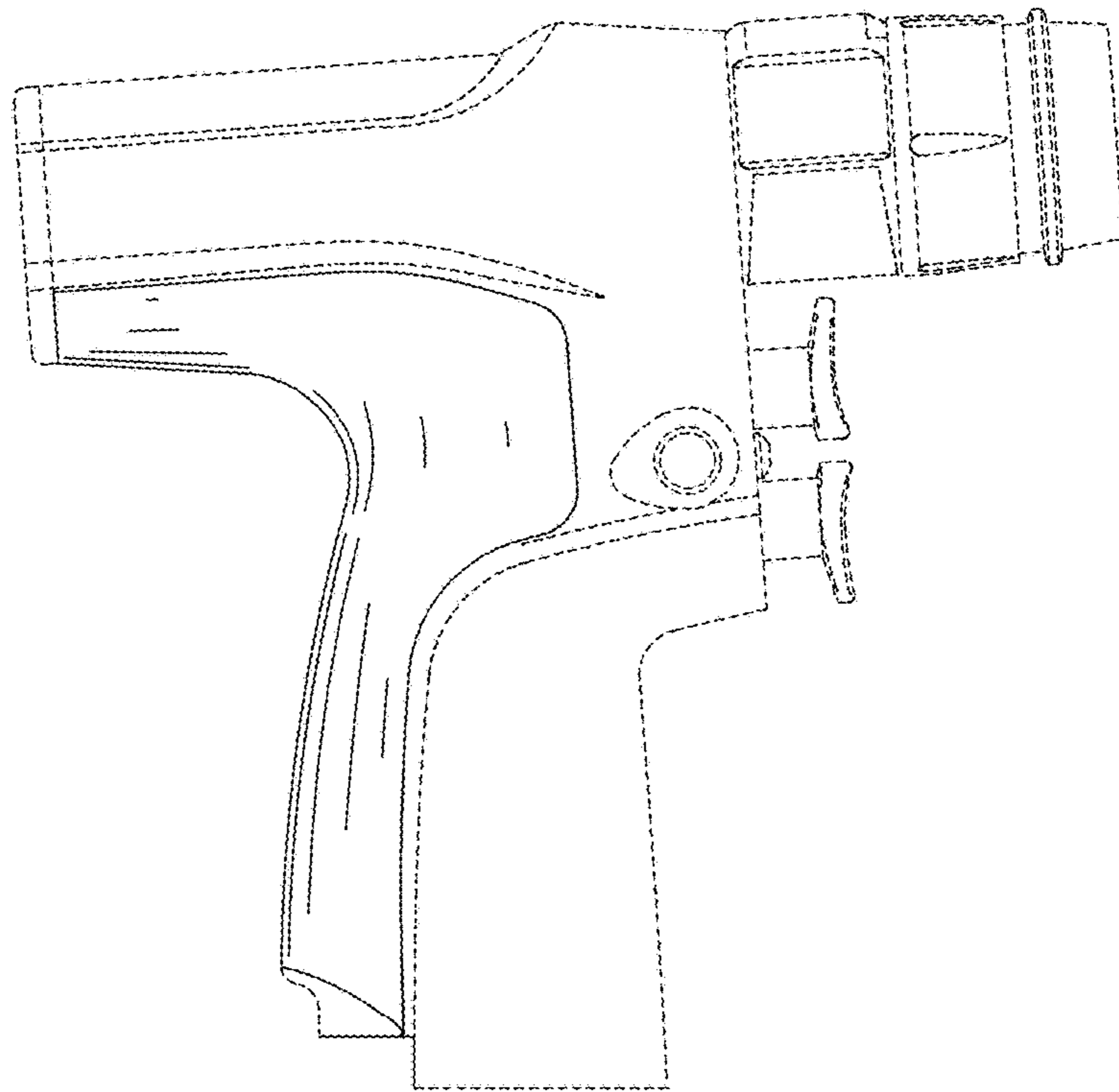


FIG. 9

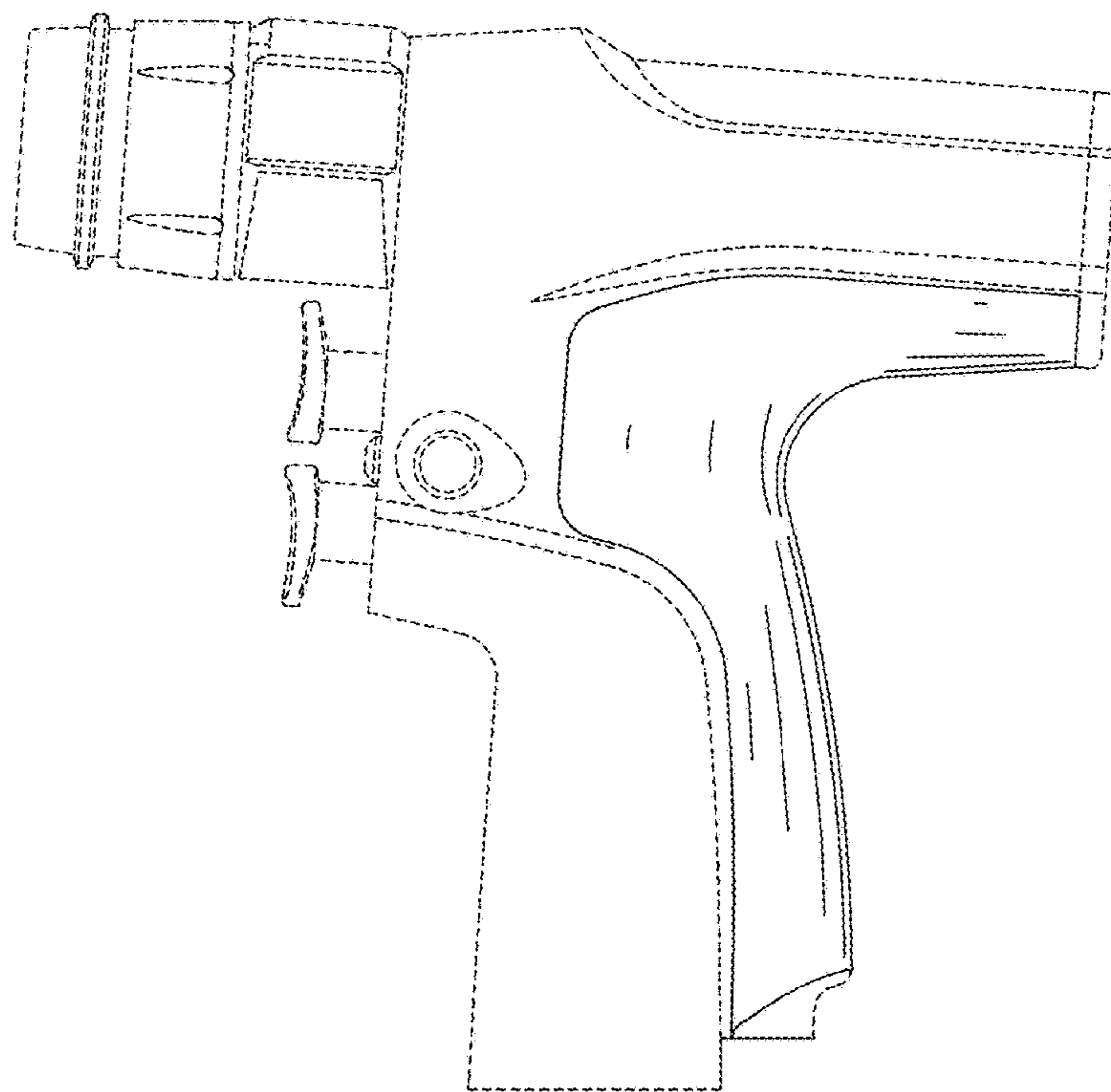


FIG. 10

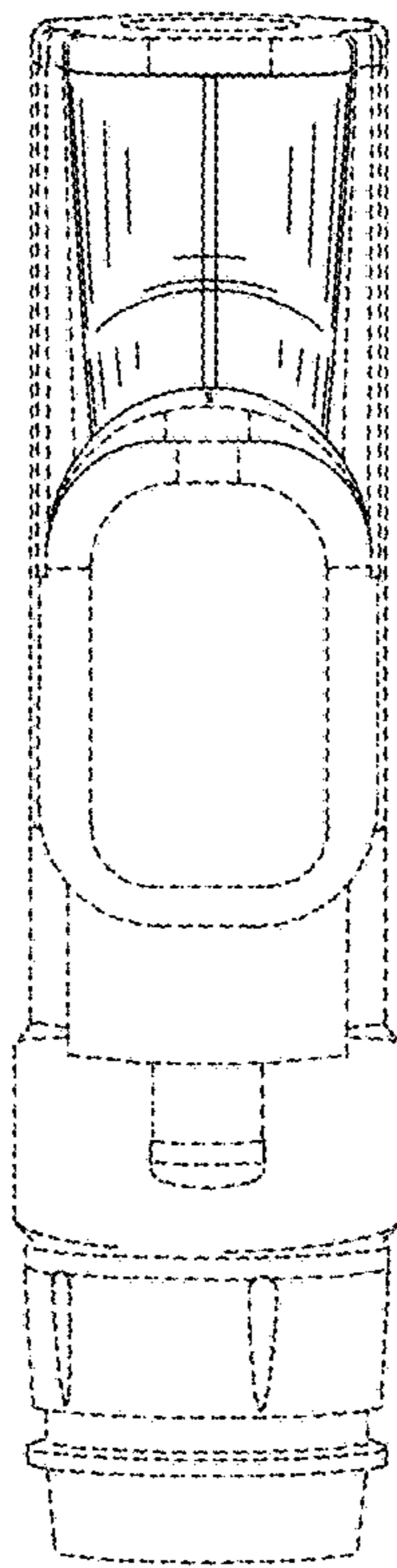


FIG. 11

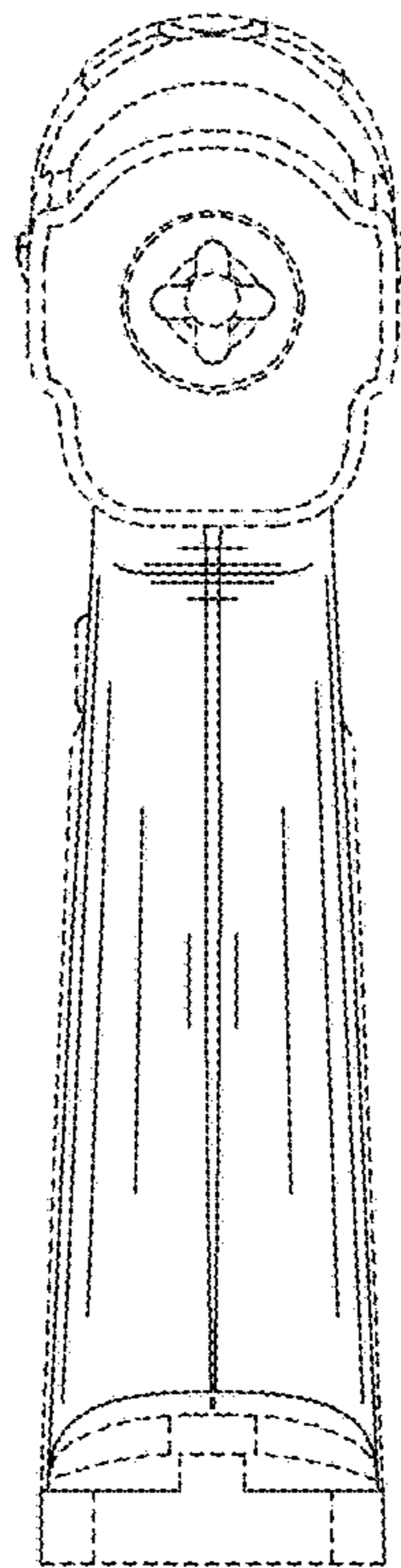


FIG. 12