

US00D840031S

(12) **United States Design Patent** (10) **Patent No.:** **US D840,031 S**  
**Teufel** (45) **Date of Patent:** **\*\* Feb. 5, 2019**

(54) **FEMORAL TARGET GUIDE**  
 (71) Applicant: **KARL STORZ SE & Co. KG,**  
 Tuttlingen (DE)  
 (72) Inventor: **Felix Teufel,** Tuttlingen (DE)  
 (73) Assignee: **KARL STORZ SE & Co. KG,**  
 Tuttlingen (DE)

D205,664 S \* 9/1966 Drake ..... D22/149  
 D225,700 S \* 1/1973 Ament ..... D3/18  
 D246,663 S \* 12/1977 Sing ..... D22/149  
 4,580,563 A \* 4/1986 Gross ..... A61B 17/0642  
 606/167  
 D360,344 S \* 7/1995 Eggert ..... D8/83  
 D364,325 S \* 11/1995 Jetter ..... D8/48  
 D413,776 S \* 9/1999 Bird ..... D8/29  
 D482,591 S \* 11/2003 Lisle ..... D8/107  
 D493,527 S \* 7/2004 Szabo ..... D24/133  
 D585,547 S \* 1/2009 Bisleri ..... D24/133

(Continued)

(\*\*) Term: **15 Years**  
 (21) Appl. No.: **29/629,943**  
 (22) Filed: **Dec. 18, 2017**

*Primary Examiner* — Jeffrey D Asch  
*Assistant Examiner* — Tracey J Bell  
 (74) *Attorney, Agent, or Firm* — Muncy, Geissler, Olds &  
 Lowe, P.C.

(30) **Foreign Application Priority Data**

(57) **CLAIM**

Jun. 16, 2017 (EM) ..... 004050714-0001

The ornamental design for a femoral target guide, as shown and described.

(51) **LOC (11) Cl.** ..... **24-02**

**DESCRIPTION**

(52) **U.S. Cl.**

USPC ..... **D24/140; D8/83**

(58) **Field of Classification Search**

USPC ..... D24/133, 140, 143, 150, 152, 167, 171,  
 D24/172, 176, 231, 111, 112, 146, 147;  
 D8/47, 48, 82, 83, 88, 89, 85, 86, 98,  
 D8/107; D3/18; D27/793; D22/149  
 CPC . A61B 17/1764; A61B 17/1714; A61B 17/17;  
 A61F 2/4657

See application file for complete search history.

FIG. 1 is a front perspective view of a femoral target guide according to the present invention.  
 FIG. 2 is a front view of the femoral target guide of FIG. 1.  
 FIG. 3 is a rear view of the femoral target guide of FIG. 1.  
 FIG. 4 is a left side view of the femoral target guide of FIG. 1.  
 FIG. 5 is a right side view of the femoral target guide of FIG. 1.  
 FIG. 6 is a top view of the femoral target guide of FIG. 1; and,  
 FIG. 7 is a bottom view of the femoral target guide of FIG. 1.

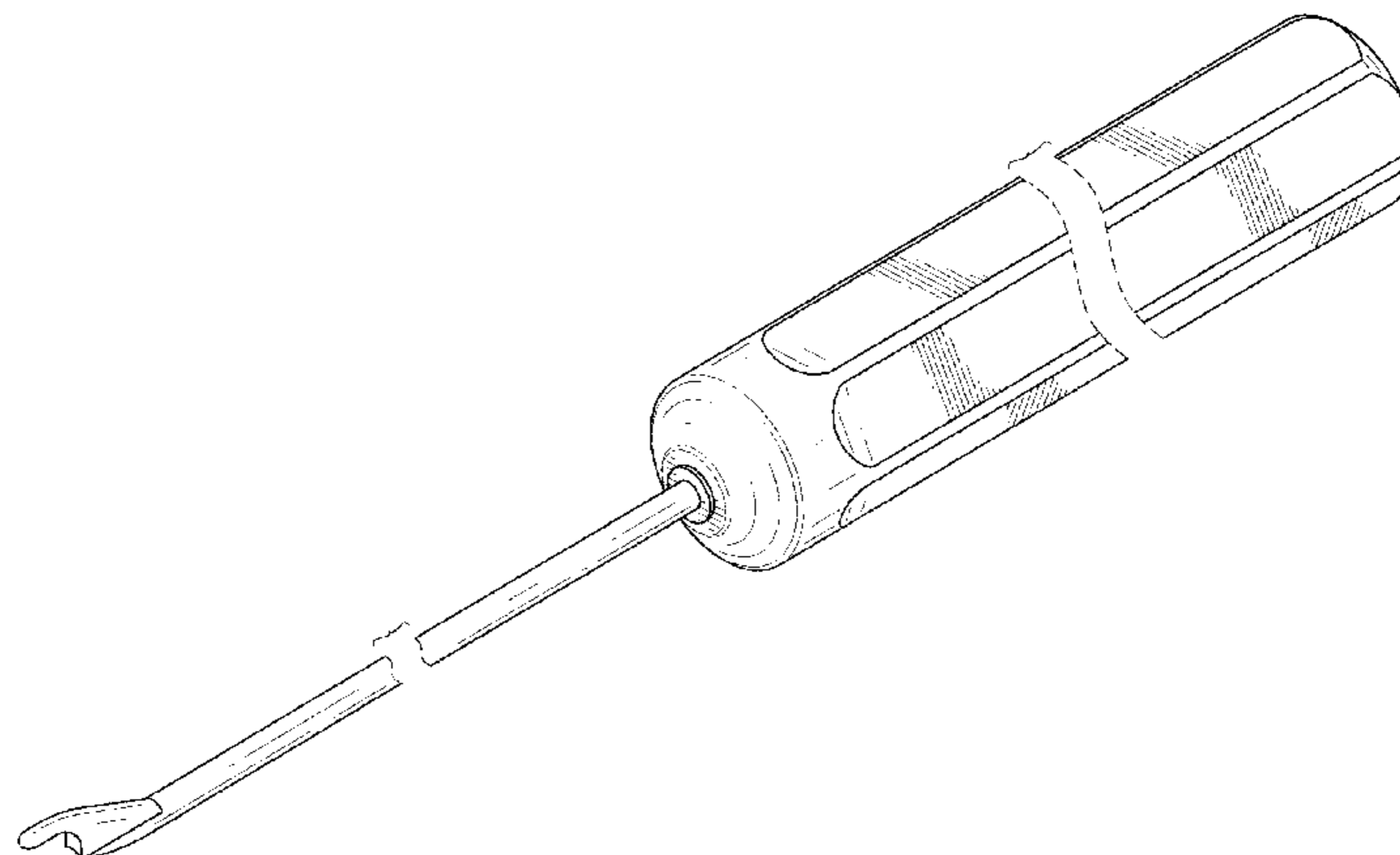
(56) **References Cited**

**U.S. PATENT DOCUMENTS**

1,711,062 A \* 4/1929 Purinton ..... A22C 17/16  
 140/102.5  
 D169,572 S \* 5/1953 Ament ..... D8/98  
 D199,564 S \* 11/1964 Koss ..... D19/123  
 3,236,275 A \* 2/1966 Smith ..... B25B 15/004  
 606/104

The broken lines depict portions of the femoral target guide that form no part of the claimed design. The appearance of any portion of the article between the pairs of broken lines bounded with brackets forms not part of the claimed design.

**1 Claim, 7 Drawing Sheets**



(56)

**References Cited**

U.S. PATENT DOCUMENTS

D646,547 S \* 10/2011 DeBaker ..... B25B 15/002  
D8/86  
2004/0193172 A1\* 9/2004 Ross ..... A61B 17/1714  
606/96  
2016/0361084 A1\* 12/2016 Weisenburgh, II .....  
A61B 17/320068

\* cited by examiner

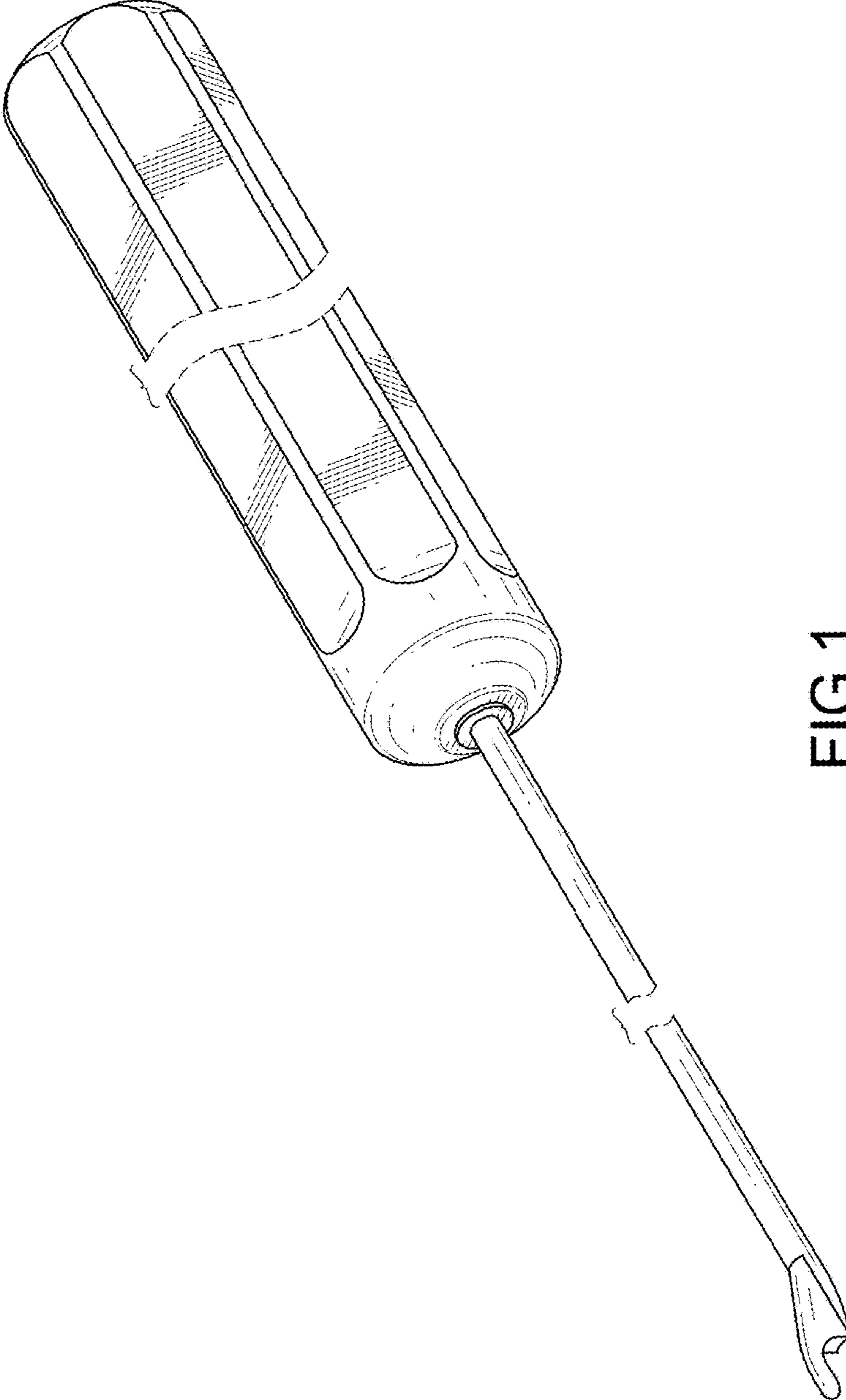


FIG.1

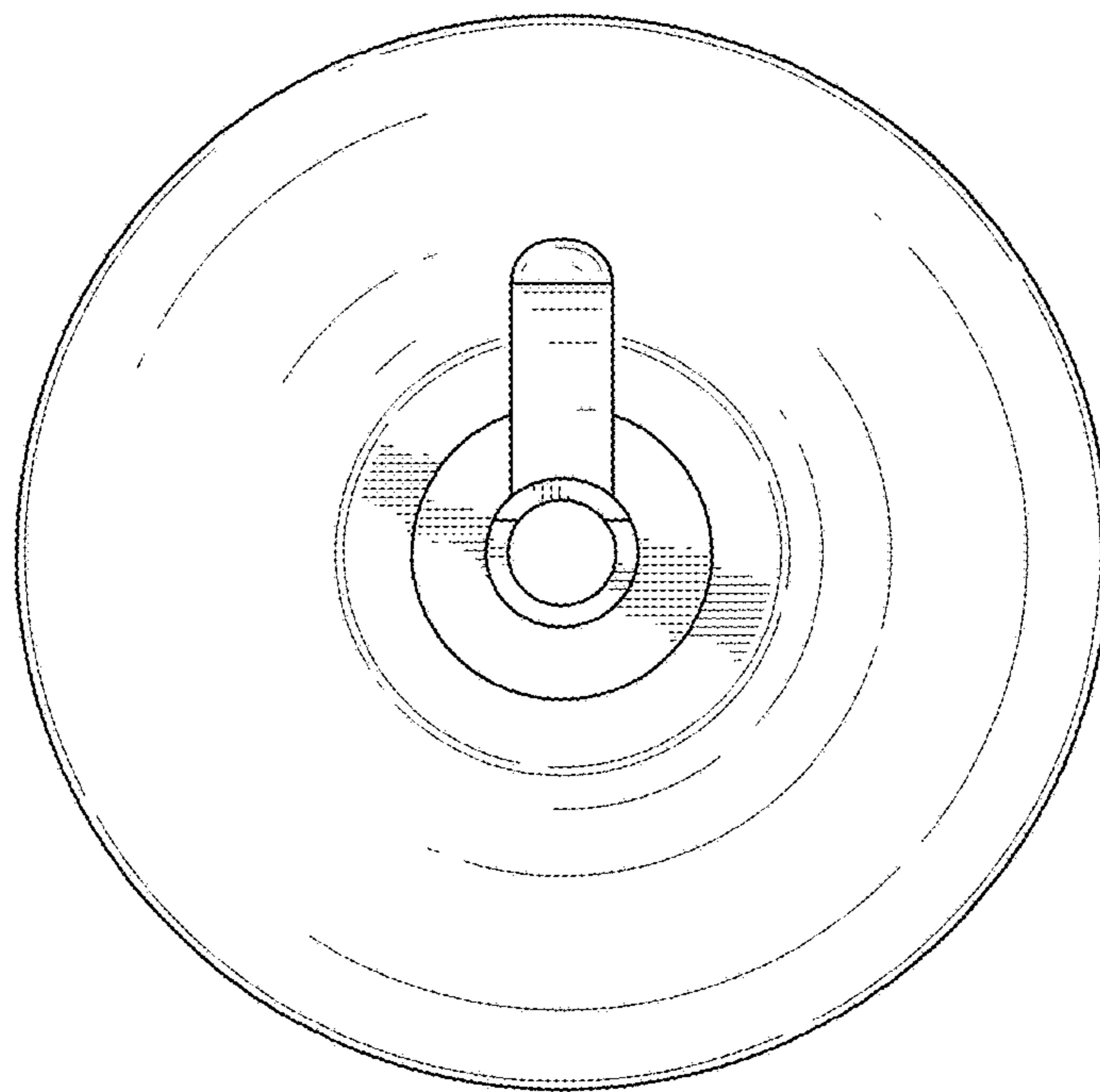


FIG.2

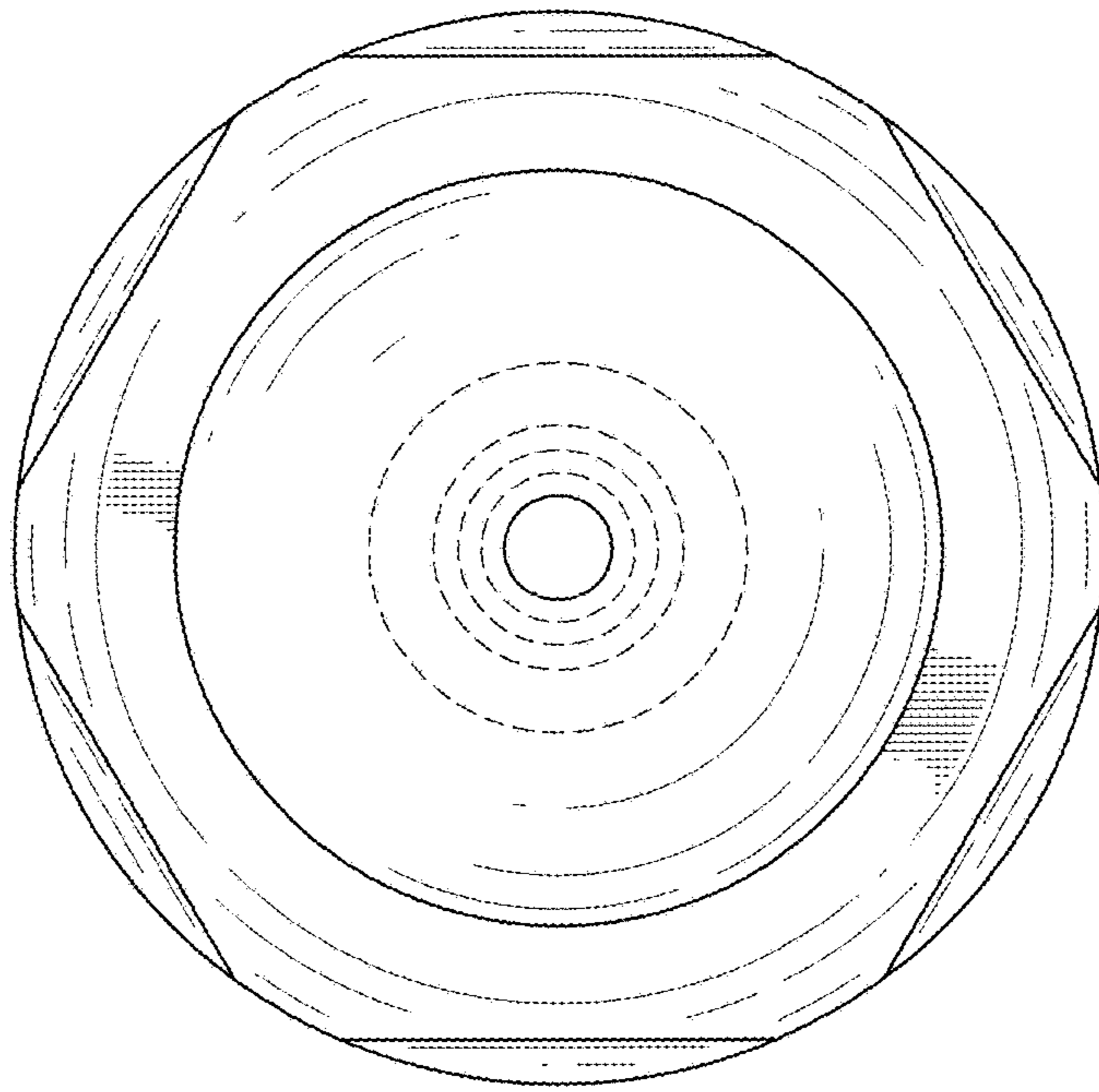


FIG.3

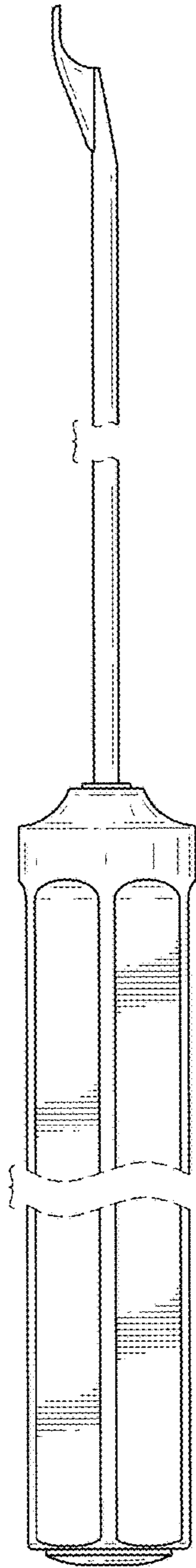


FIG.4

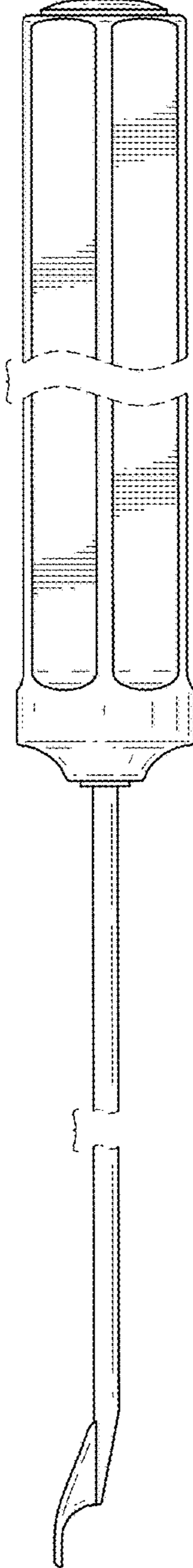


FIG.5

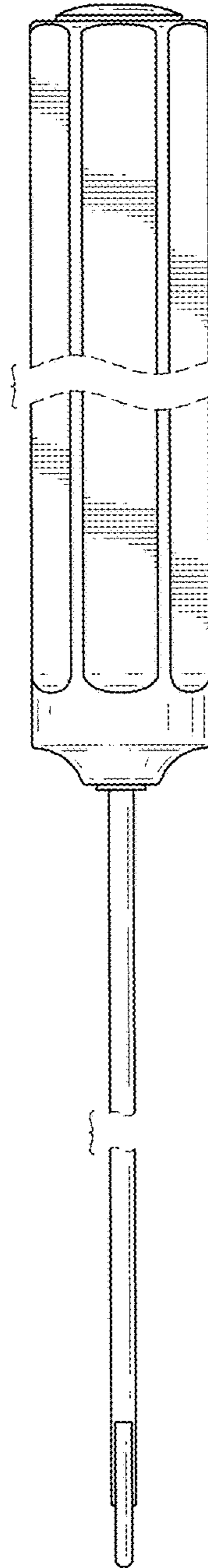


FIG.6



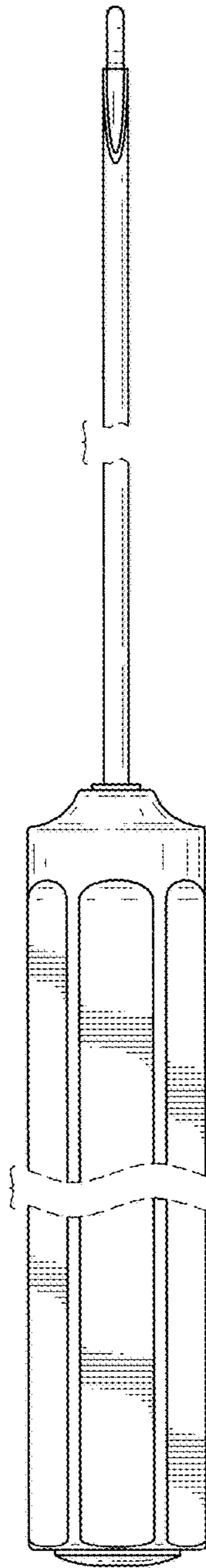


FIG.7