



US00D840028S

(12) **United States Design Patent**
Shan

(10) **Patent No.:** **US D840,028 S**

(45) **Date of Patent:** **** Feb. 5, 2019**

(54) **STETHOSCOPE HEAD**

(71) Applicant: **WUXI KAISHUN MEDICAL
DEVICE MANUFACTURING CO.,
LTD.**, Wuxi, Jiangsu (CN)

(72) Inventor: **Xijie Shan**, Wuxi (CN)

(73) Assignee: **WUXI KAISHUN MEDICAL
DEVICE MANUFACTURING CO.,
LTD.**, Jiangsu (CN)

(**) Term: **15 Years**

(21) Appl. No.: **29/589,202**

(22) Filed: **Dec. 29, 2016**

(30) **Foreign Application Priority Data**

Dec. 2, 2016 (CN) 2016 3 0588789

(51) **LOC (11) Cl.** **24-02**

(52) **U.S. Cl.**
USPC **D24/134**

(58) **Field of Classification Search**
USPC D24/134, 133, 137, 173, 174, 187, 200;
D14/200, 204, 205; 600/26, 27, 28;
381/67, 328, 331; 181/67, 130, 135, 137
CPC .. A61B 7/00; A61B 5/00; A61B 5/026; A61B
5/7278; A61B 5/0207; A61B 7/003; A61B
7/026; A61B 7/04

See application file for complete search history.

(56) **References Cited**

U.S. PATENT DOCUMENTS

D277,890 S * 3/1985 Loughridge D24/134
D323,394 S * 1/1992 Casto D24/134
D373,824 S * 9/1996 Packard D24/134
D389,575 S * 1/1998 Grasfield D24/134
D390,660 S * 2/1998 Rashman D24/133
D395,509 S * 6/1998 Packard D24/137

D410,285 S * 5/1999 Packard D24/134
D432,237 S * 10/2000 Shick D24/134
D432,238 S * 10/2000 Packard D24/134
D452,736 S * 1/2002 Werblud D24/134
6,510,918 B2 * 1/2003 Bates A61B 7/02
181/126
D487,928 S * 3/2004 Drummond D24/134
6,725,966 B2 * 4/2004 Drummond A61B 7/02
181/131
6,932,186 B2 * 8/2005 Costa A61B 7/02
181/131
D536,448 S * 2/2007 Jackson D24/134
D625,804 S * 10/2010 Sternberger D24/134
D639,426 S * 6/2011 Boyd D24/134
D740,415 S * 10/2015 Johnson D24/134
D752,216 S * 3/2016 Chong D24/134
2004/0114767 A1 * 6/2004 Tseng A61B 7/02
381/67
2005/0029038 A1 * 2/2005 Costa A61B 7/02
181/131

(Continued)

Primary Examiner — Ian Simmons

Assistant Examiner — Yolanda Robinson

(74) *Attorney, Agent, or Firm* — Bond Schoeneck &
King, PLLC; George R. McGuire

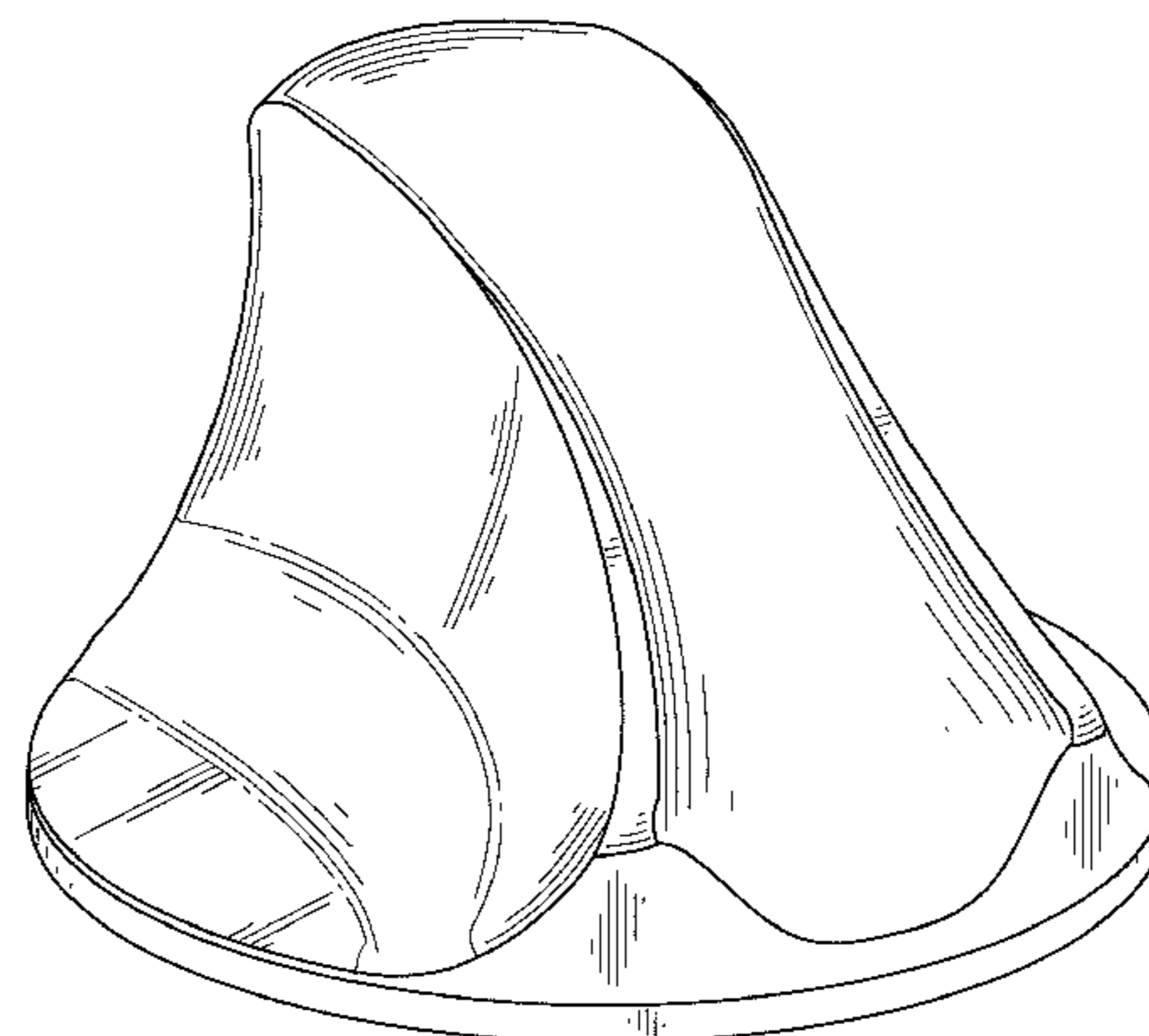
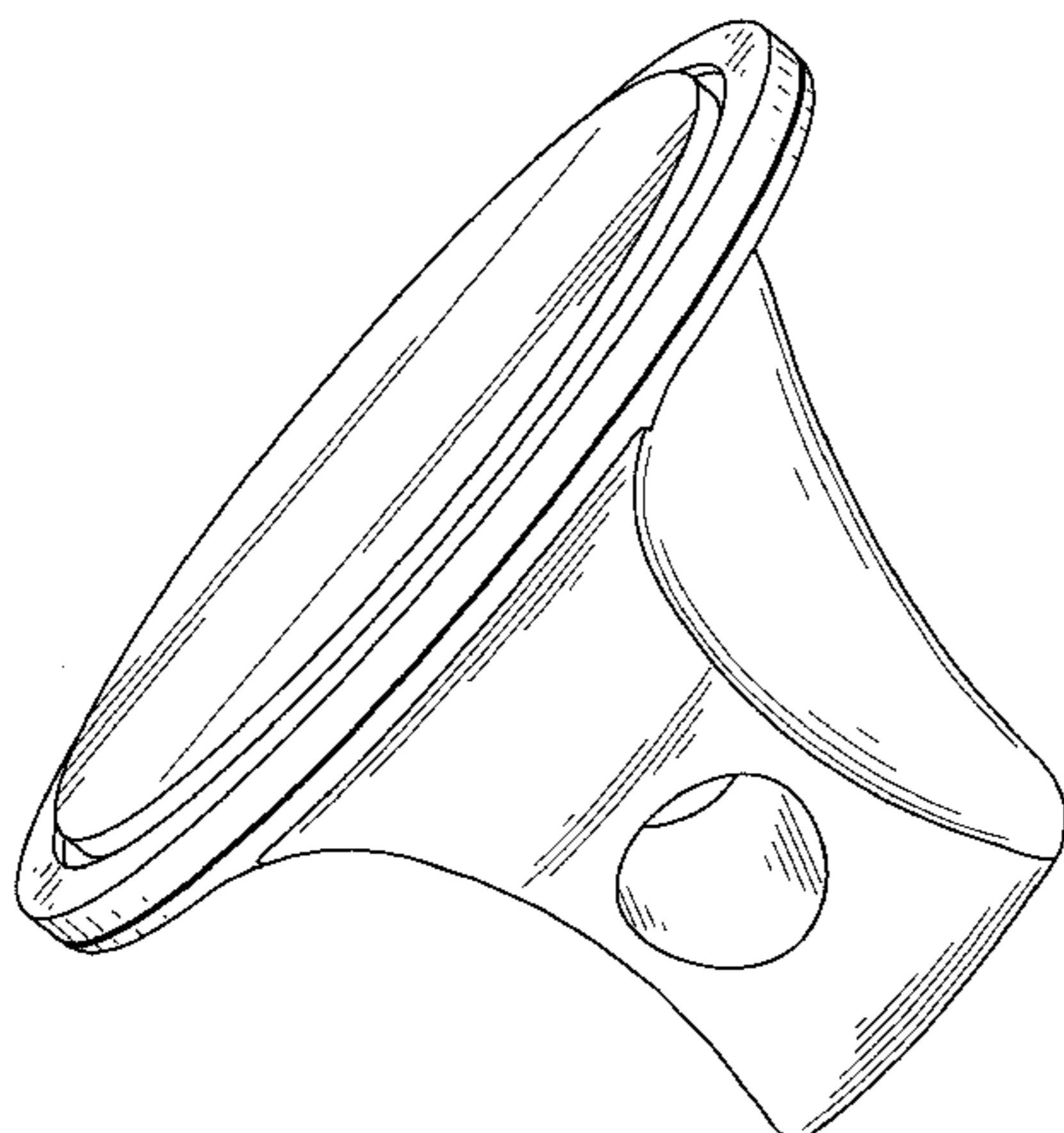
(57) **CLAIM**

The ornamental design for a stethoscope head, as shown and described.

DESCRIPTION

FIG. 1 is a rear perspective view of an embodiment for a new and ornamental design for a stethoscope head;
FIG. 2 is an upper perspective view thereof;
FIG. 3 is a front elevation view thereof;
FIG. 4 is a rear elevation view thereof;
FIG. 5 is a left side elevation view thereof, the right side elevation being a mirror image;
FIG. 6 is a top plan view thereof; and,
FIG. 7 is a bottom plan view thereof.

1 Claim, 7 Drawing Sheets



(56)

References Cited

U.S. PATENT DOCUMENTS

2008/0245602 A1* 10/2008 Nakamura A61B 7/026
181/131
2008/0257637 A1* 10/2008 Miller A61B 7/02
181/131
2015/0190110 A1* 7/2015 Chong H04R 1/46
600/528

* cited by examiner

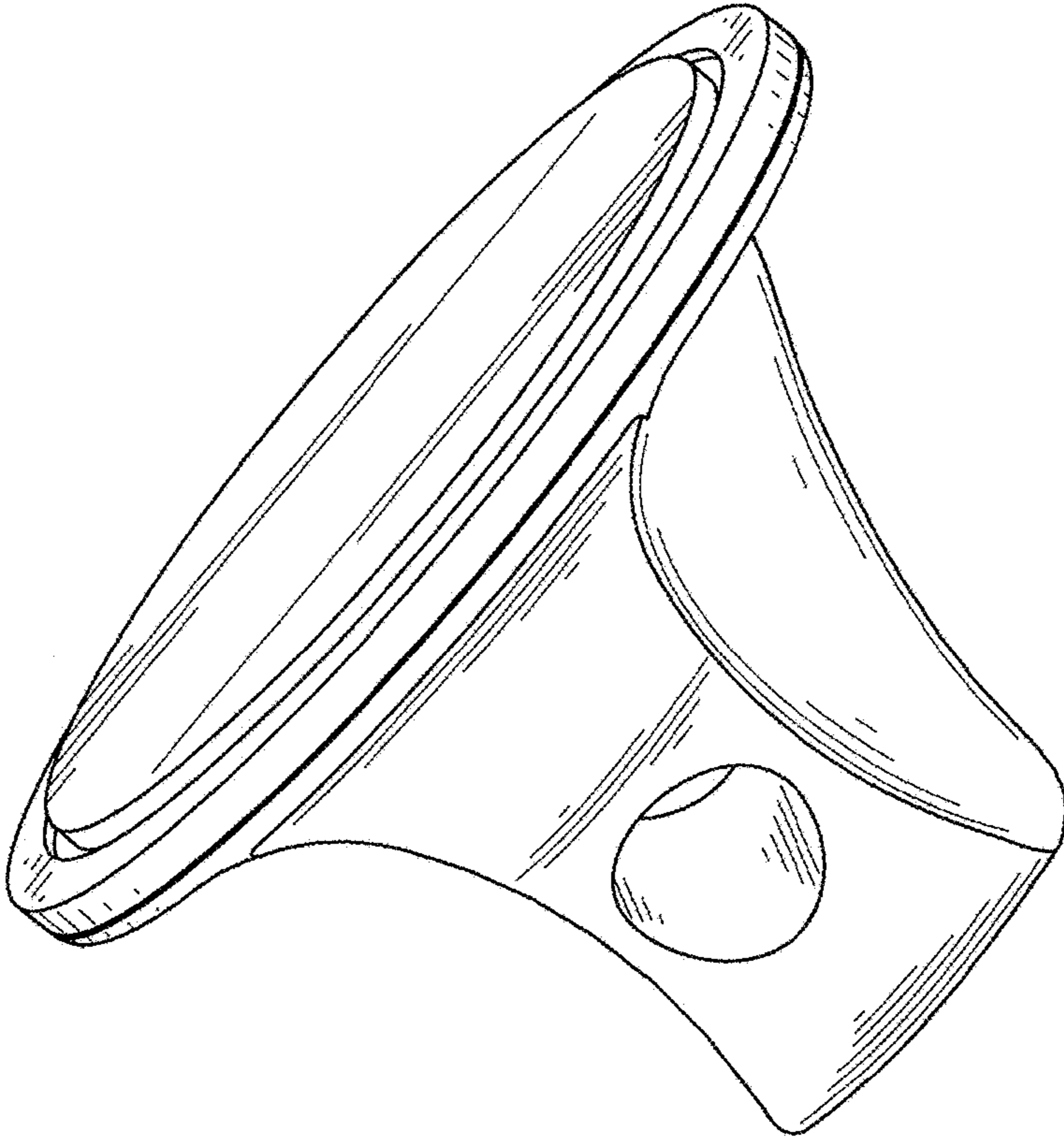


FIG. 1

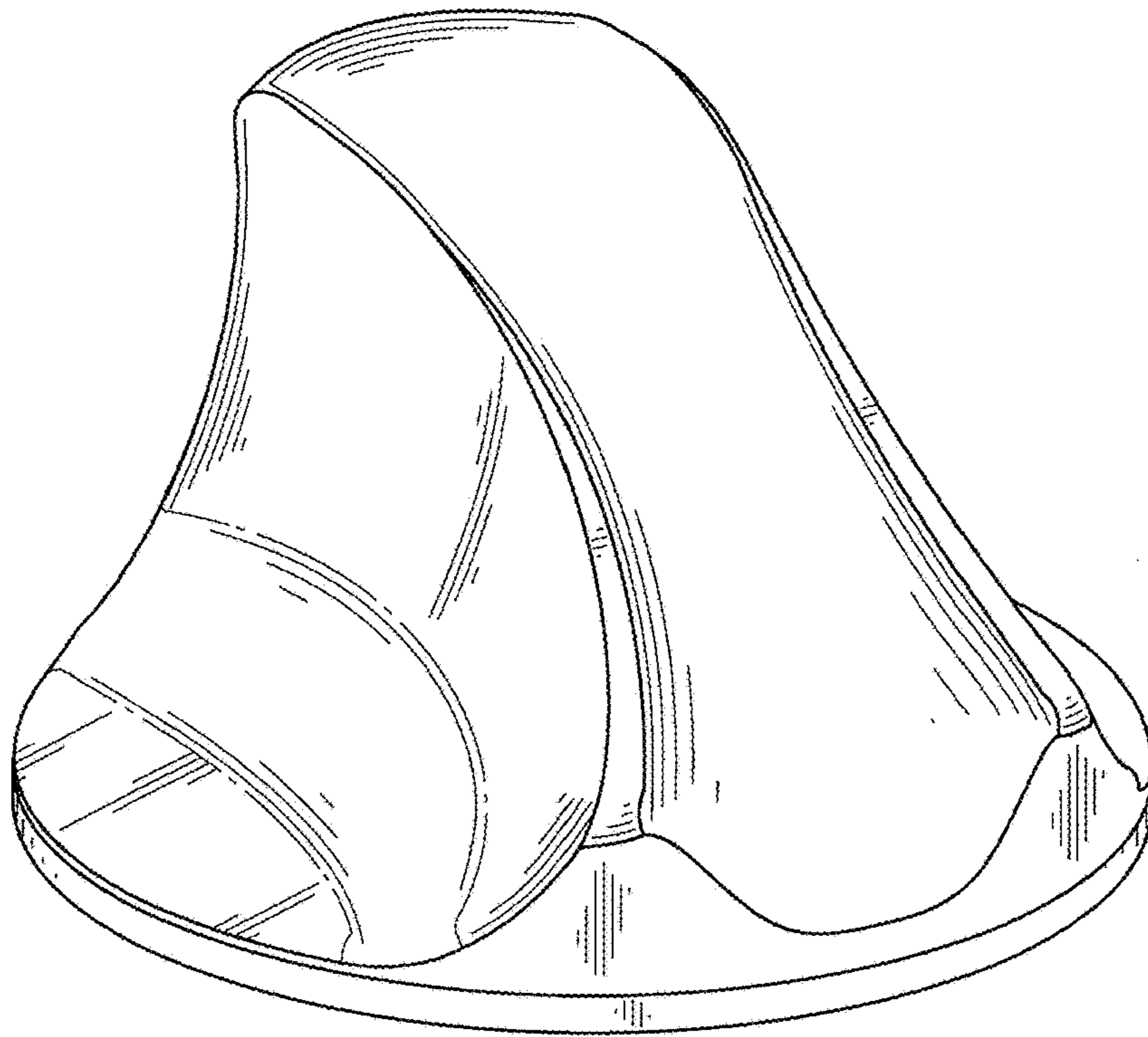


FIG. 2

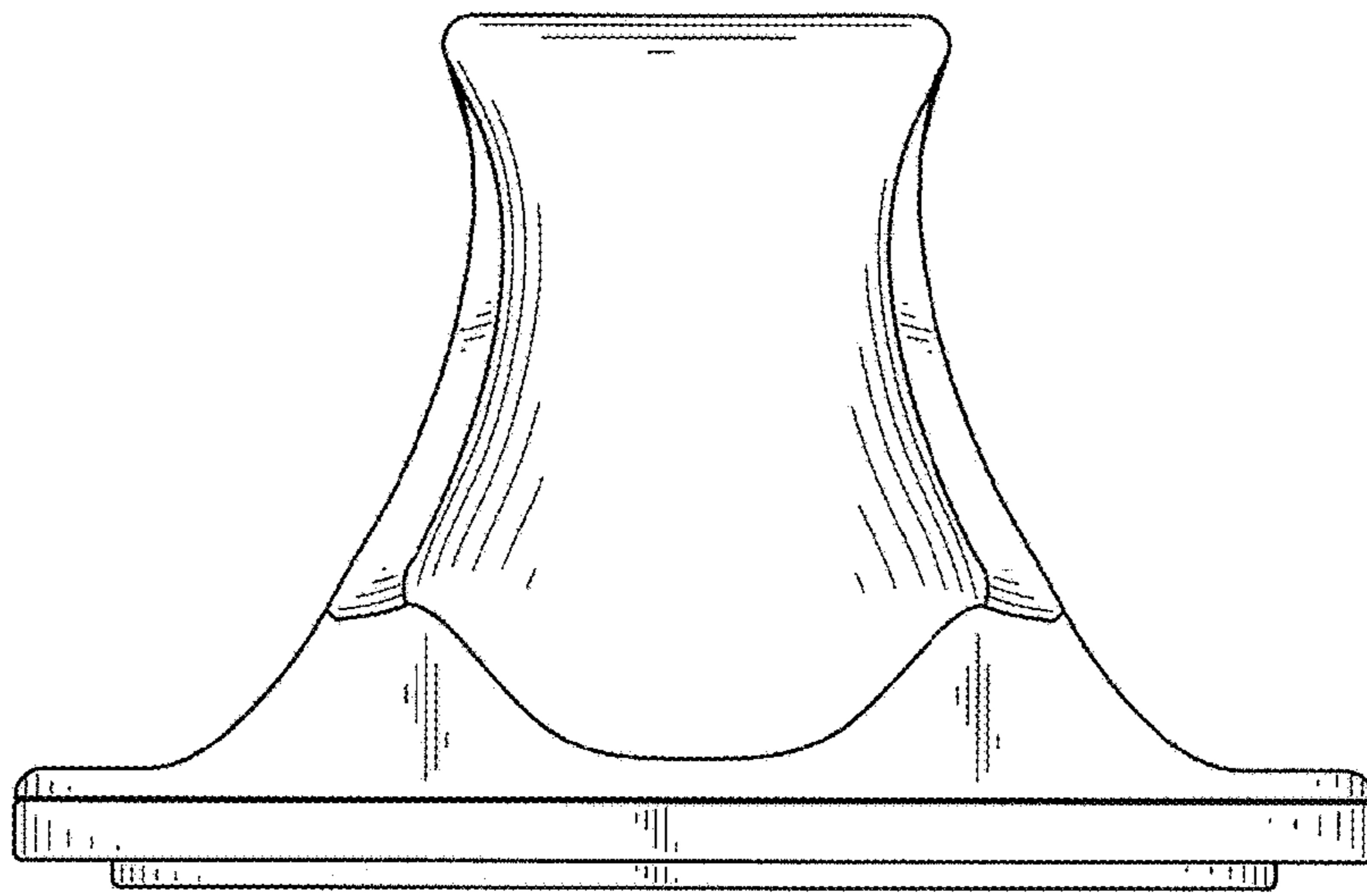


FIG. 3

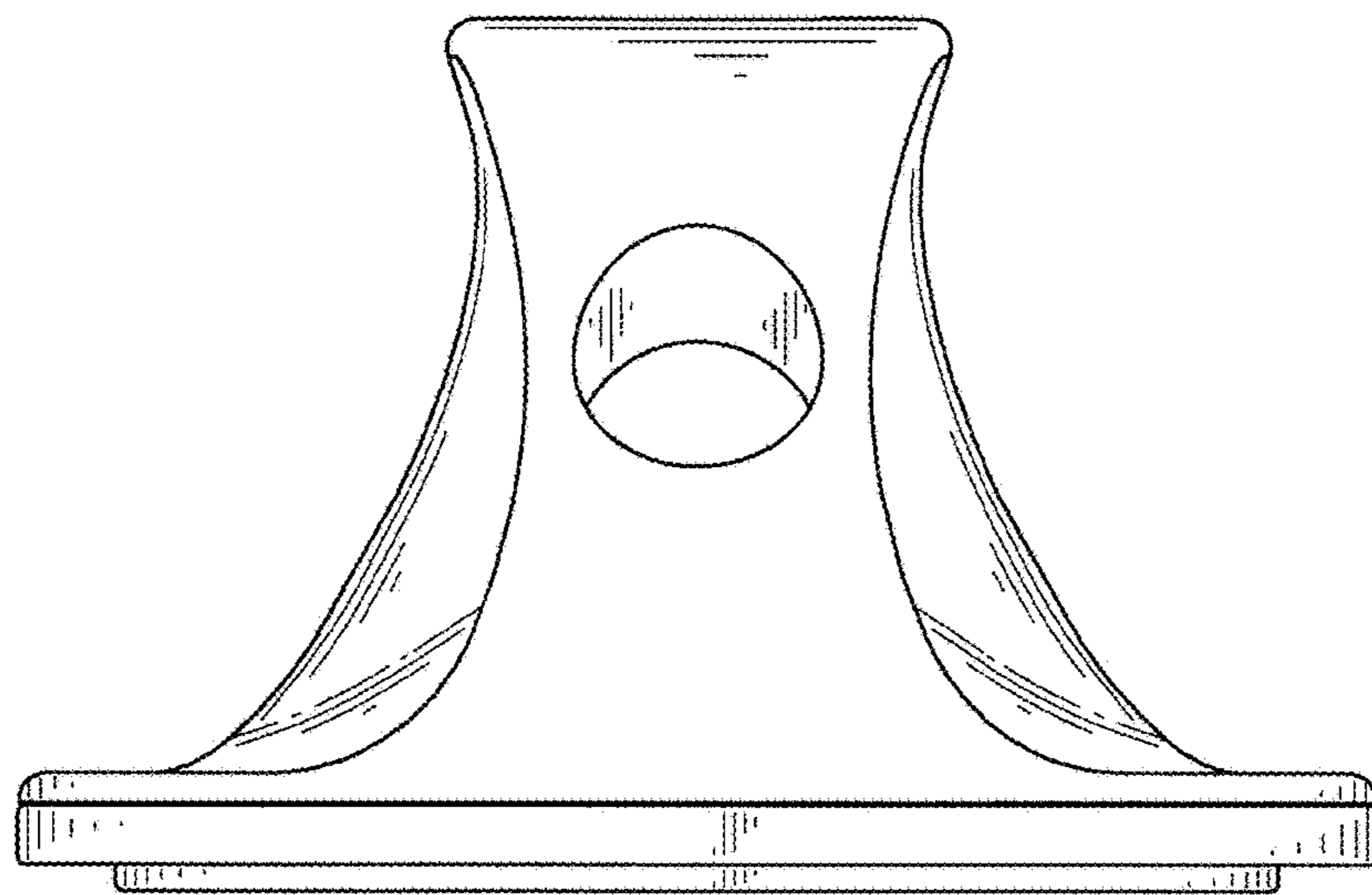


FIG. 4

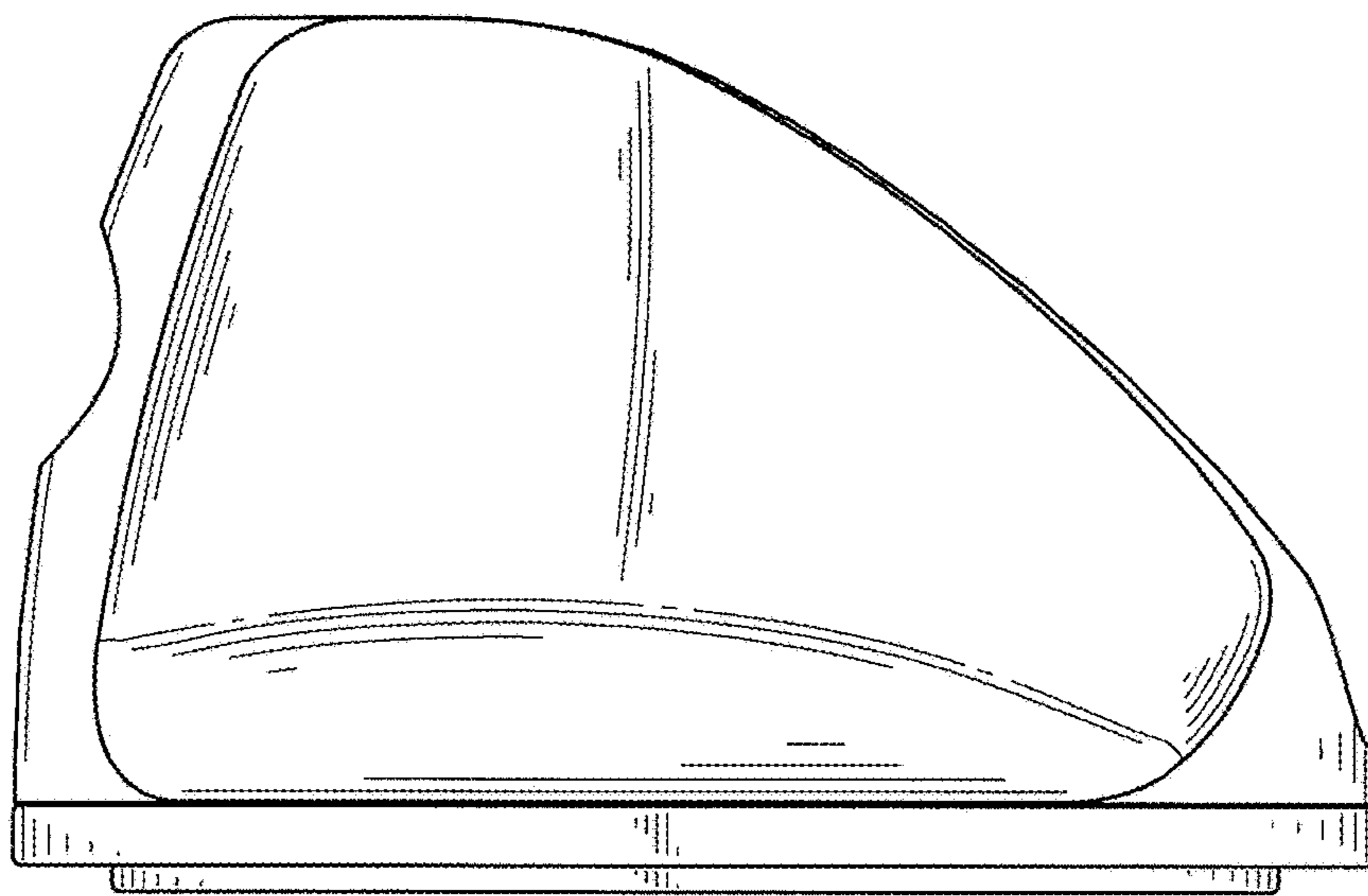


FIG. 5

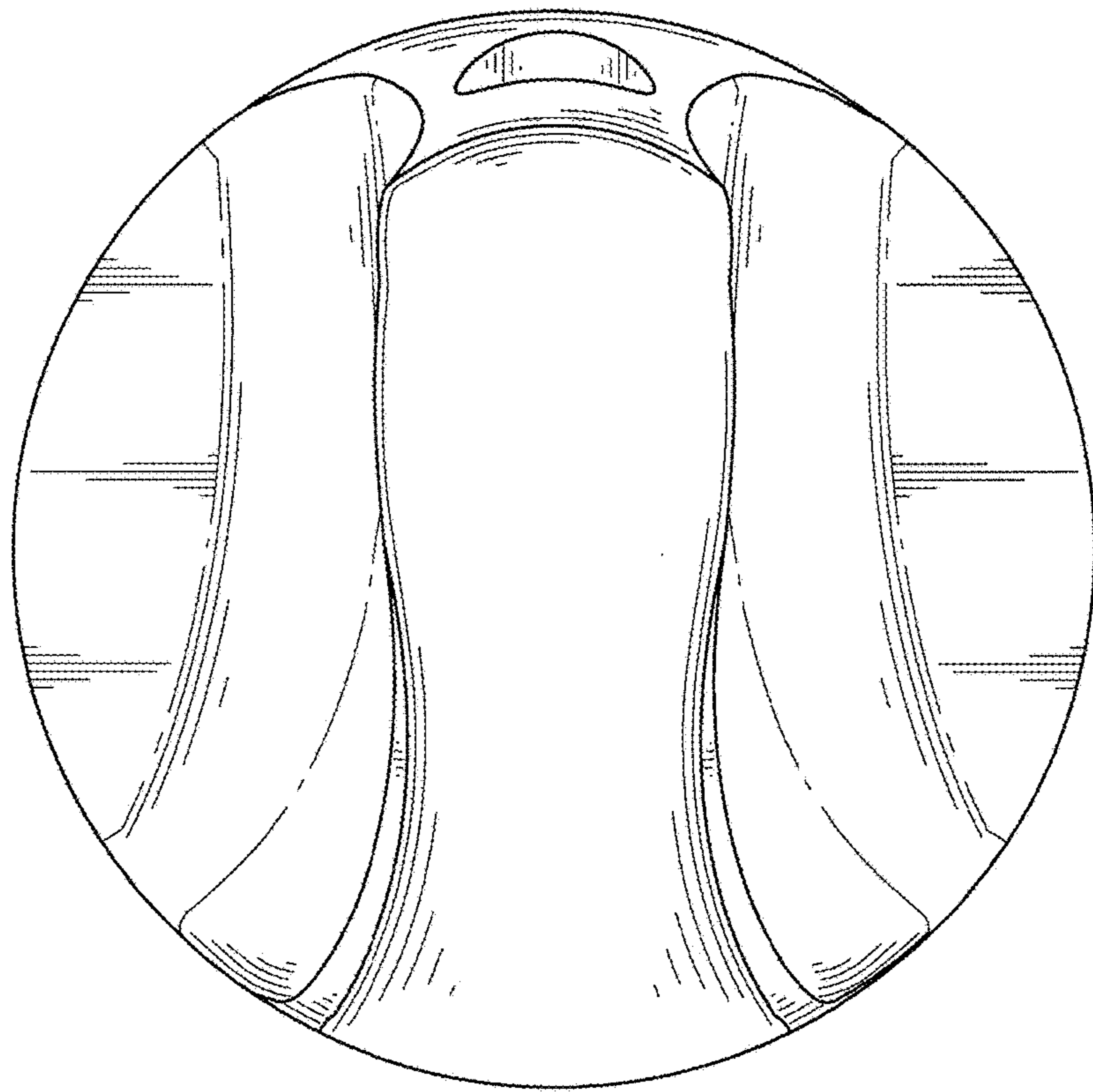


FIG. 6

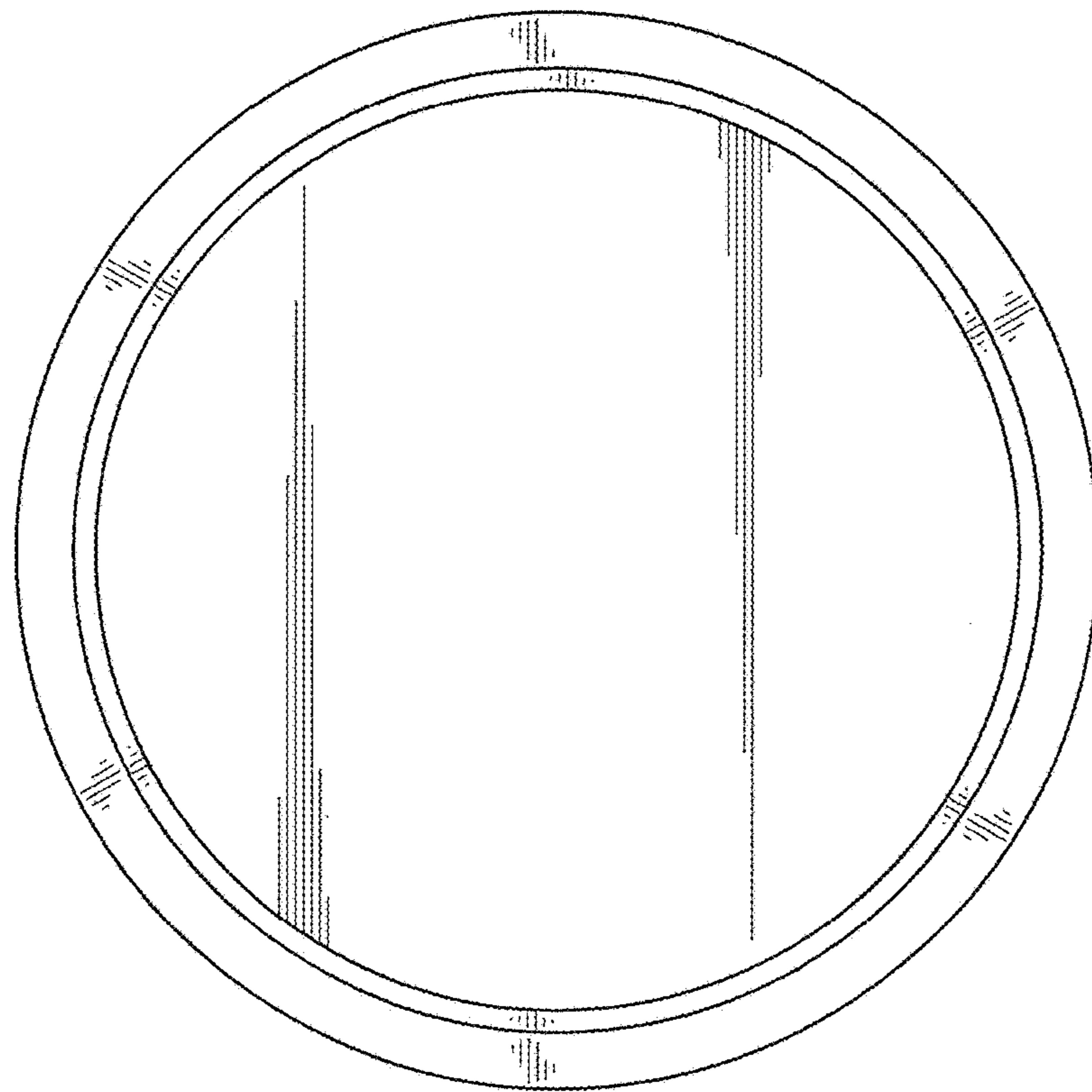


FIG. 7