



US00D840025S

(12) **United States Design Patent** (10) **Patent No.:** **US D840,025 S**
Bianchi et al. (45) **Date of Patent:** **** Feb. 5, 2019**

(54) **ABSORBENT ARTICLE**

(71) Applicant: **The Procter & Gamble Company**,
Cincinnati, OH (US)

(72) Inventors: **Ernesto Gabriel Bianchi**, Oberursel
(DE); **Gemma Baquer Molas**,
Schwalbach (DE); **Nguyen**
Huynh-Trang Le, Bad Soden (DE);
Manuela Ines Schneider, Bensheim
(DE)

(73) Assignee: **The Procter & Gamble Company**,
Cincinnati, OH (US)

(**) Term: **15 Years**

(21) Appl. No.: **29/585,994**

(22) Filed: **Nov. 30, 2016**

Related U.S. Application Data

(62) Division of application No. 29/518,784, filed on Feb.
27, 2015, now abandoned.

(30) **Foreign Application Priority Data**

Aug. 28, 2014 (WO) 835918601

(51) **LOC (11) Cl.** **24-04**

(52) **U.S. Cl.**
USPC **D24/124**

(58) **Field of Classification Search**

USPC D2/700, 701, 704, 705; D8/402;
D24/100-104, 124-126, 189; D25/139
CPC A61F 13/15; A61F 13/64; A61F 13/476;
A61F 13/5611; A61F 13/5633; A61F
2013/16; A61F 2013/4708

See application file for complete search history.

(56) **References Cited**

U.S. PATENT DOCUMENTS

3,200,460 A * 8/1965 Steeg A61F 13/64
24/682.1
3,225,765 A * 12/1965 Mosier A61F 13/64
604/397
3,477,433 A * 11/1969 Dillon A61F 13/53418
604/370
D263,169 S * 2/1982 Larko D24/124
4,315,507 A * 2/1982 Whitehead A61F 13/539
156/201

(Continued)

OTHER PUBLICATIONS

Hemp Babies Diaper Doublers (5 Pack), posted at Cottonbabies.com, posting date Jun. 16, 2013, ©2015 Cottonbabies.com, [online], [site visited Apr. 13, 2016]. Available from Internet, <URL: http://www.cottonbabies.com/product_info.php?cPath=26&products_id=724>.*

(Continued)

Primary Examiner — Susan E Krakower

Assistant Examiner — L. A. Grabenstetter

(74) *Attorney, Agent, or Firm* — Andrew J. Hagerty

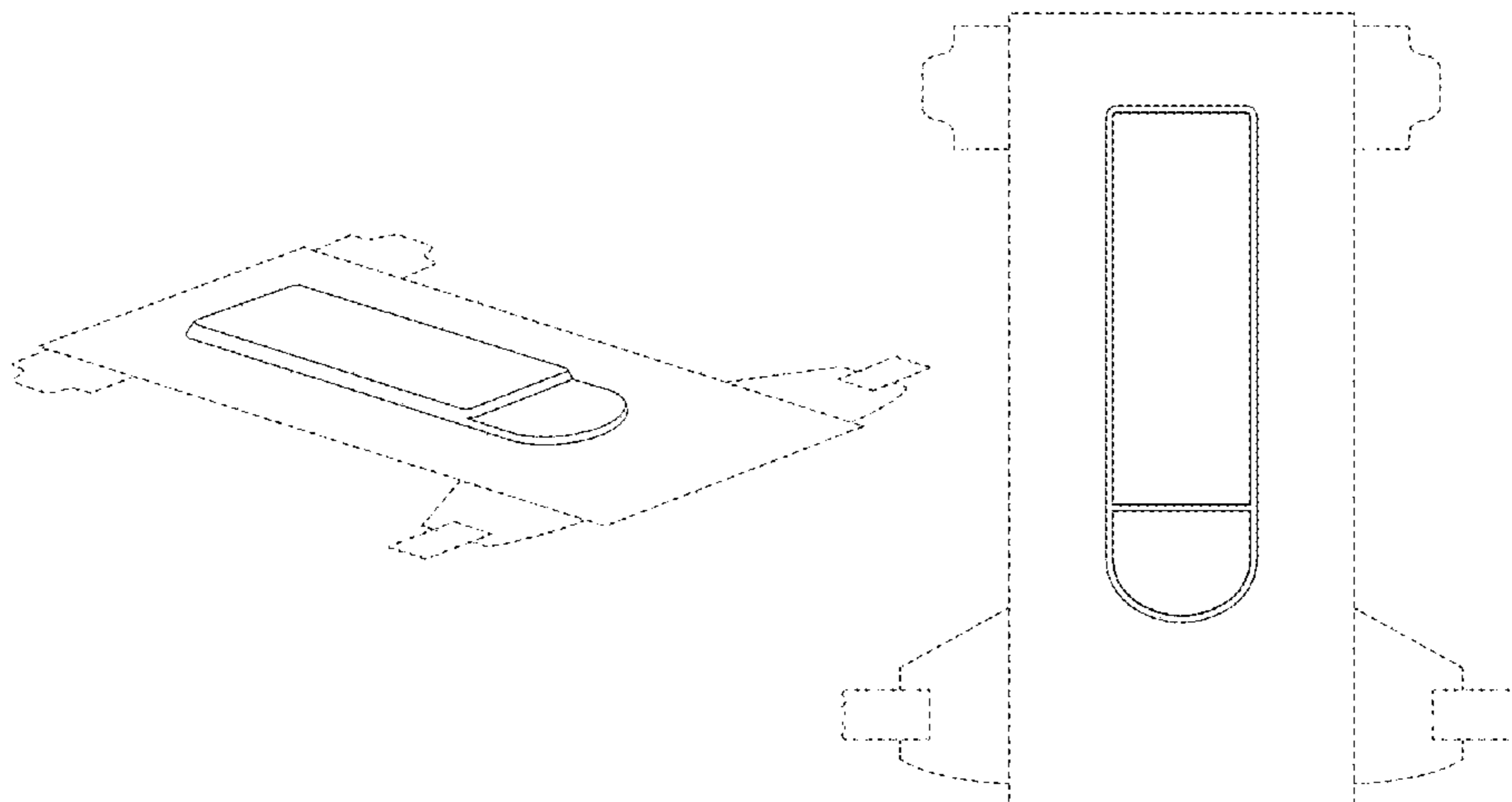
(57) **CLAIM**

The ornamental design for an absorbent article, as shown and described.

DESCRIPTION

FIG. 1 is a perspective view of an absorbent article, showing our new design;
FIG. 2 is a bottom view thereof;
FIG. 3 is a right side view thereof;
FIG. 4 is a top view thereof;
FIG. 5 is a left side view thereof;
FIG. 6 is a front view thereof; and,
FIG. 7 is a rear side view thereof.
The broken lines, including those showing the diaper tabs and ears, are included for the purpose of illustrating environment and form no part of the claimed design.

1 Claim, 4 Drawing Sheets



(56)

References Cited

U.S. PATENT DOCUMENTS

D278,363 S 4/1985 Schenkel
 4,597,759 A 7/1986 Douglas
 5,037,418 A * 8/1991 Kons A61F 13/476
 604/385.05
 D320,274 S 9/1991 Douglas
 5,170,001 A * 12/1992 Amendola G10D 13/003
 84/422.4
 D359,806 S * 6/1995 Mikler D24/189
 D372,307 S * 7/1996 Barringer D23/208
 5,570,145 A * 10/1996 Soneda H01J 9/2272
 396/547
 D393,456 S * 4/1998 Goodman D14/461
 D406,187 S * 3/1999 Garcia-Gutierrez D1/127
 D408,626 S * 4/1999 Lage D3/203.5
 D437,932 S 2/2001 Ruman et al.
 D439,971 S 4/2001 Richardson
 D448,481 S * 9/2001 Mok D24/124
 D457,951 S 5/2002 Abney et al.
 D470,935 S 2/2003 Sherrod
 6,551,296 B1 * 4/2003 Boulanger A61F 13/4752
 604/385.04
 D477,872 S 7/2003 Sosalla
 6,747,183 B2 6/2004 Siegart
 D499,653 S * 12/2004 Karim D19/901
 D528,605 S * 9/2006 Lee D20/10
 D529,608 S 10/2006 Maeyama
 D570,488 S 6/2008 Kirksey
 D574,962 S 8/2008 Atkins
 D578,212 S 10/2008 Perkins
 D612,504 S * 3/2010 Ha D24/189
 D613,451 S 4/2010 Welsh
 D625,001 S 10/2010 Richmond
 D647,200 S 10/2011 Slaughter
 D672,029 S * 12/2012 Inoue D24/103
 D689,668 S * 9/2013 Zaltsberg D2/705

8,603,062 B1 * 12/2013 Smith A61F 13/475
 604/387
 2006/0058751 A1 * 3/2006 Rosenfeld A61F 13/15203
 604/380
 2008/0319411 A1 * 12/2008 Mortensen A61F 13/4702
 604/387
 2014/0230831 A1 * 8/2014 Zaltsberg A61F 5/30
 128/891
 2014/0257225 A1 * 9/2014 Tagg A61F 13/5611
 604/385.05
 2014/0302745 A1 * 10/2014 Golubovic A61F 13/15
 450/1

OTHER PUBLICATIONS

BumGenius Diaper Doublers / Newborn Insert (6 Pack), posted at Cottonbabies.com, posting date Jun. 5, 2007, © 2015 Cottonbabies.com, [online], [site visited Apr. 13, 2016]. Available from Internet, <URL: http://www.cottonbabies.com/product_info.php?products_id=765>.*
 Peachy Green Snap-in Bamboo Inserts (Sized), posted at Bellybuttonsandbubbles.com, posting date May 11, 2012, © Bellybuttonsandbubbles.com, [online], [site visited Apr. 20, 2016]. Available from Internet, <URL: http://www.bellybuttonsandbubbles.com/item_128/Peachy-Green-Snap-in-Bamboo-Inserts-Sized>.*
 Punkin Butt Pocket Patch Hemp Inserts—Large posted at Amazon.com, posting date Nov. 15, 2012, © Amazon.com, [online], [site visited Apr. 20, 2016]. Available from Internet, <URL: http://www.amazon.com/Punkin-Butt-Pocket-Patch-Inserts/dp/B005E9ODTU/ref=sr_1_1_a_it?ie=UTF8&qid=1461181664&sr=8-1 &keywords=punkin+butt+pocket>.*
 Flip Diaper Cover and Stay Dry Insert Review, posted at Parentingpatch.com, posting date Oct. 15, 2012, [online], [site visited Sep. 18, 2017]. Available from Internet, <URL: <https://parentingpatch.com/flip-diaper-cover-and-stay-dry-insert-review/>>.*

* cited by examiner

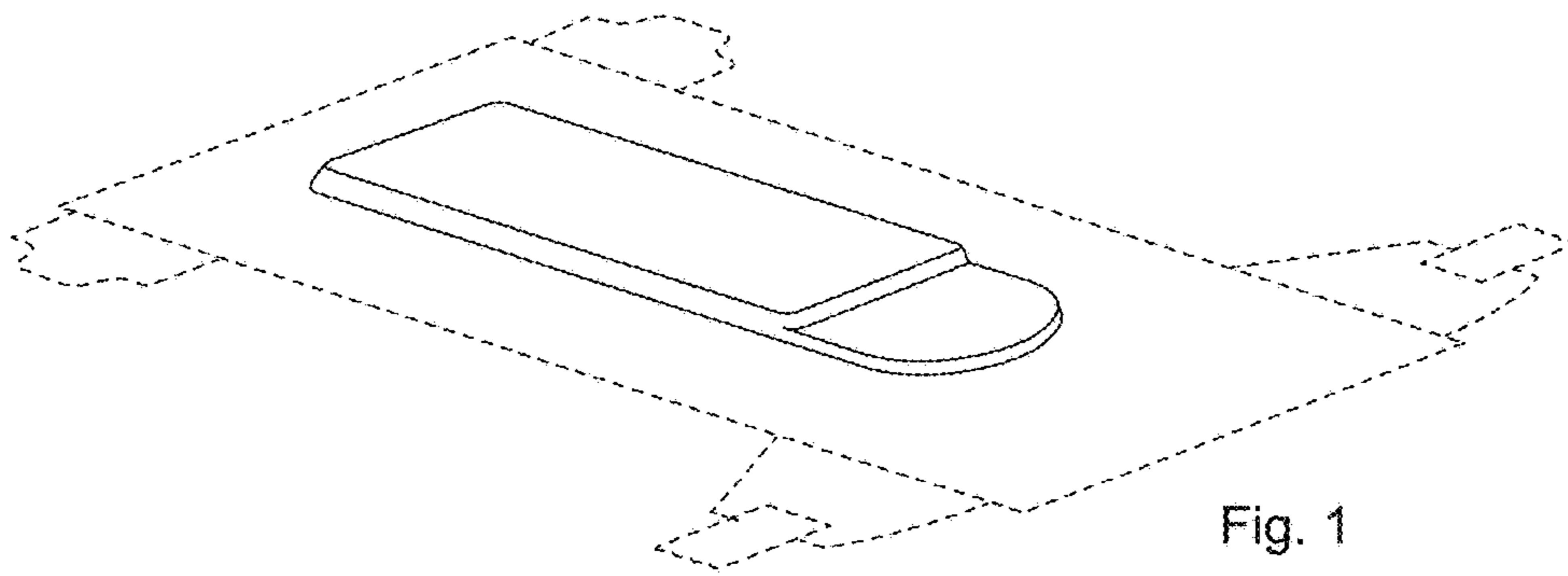


Fig. 1

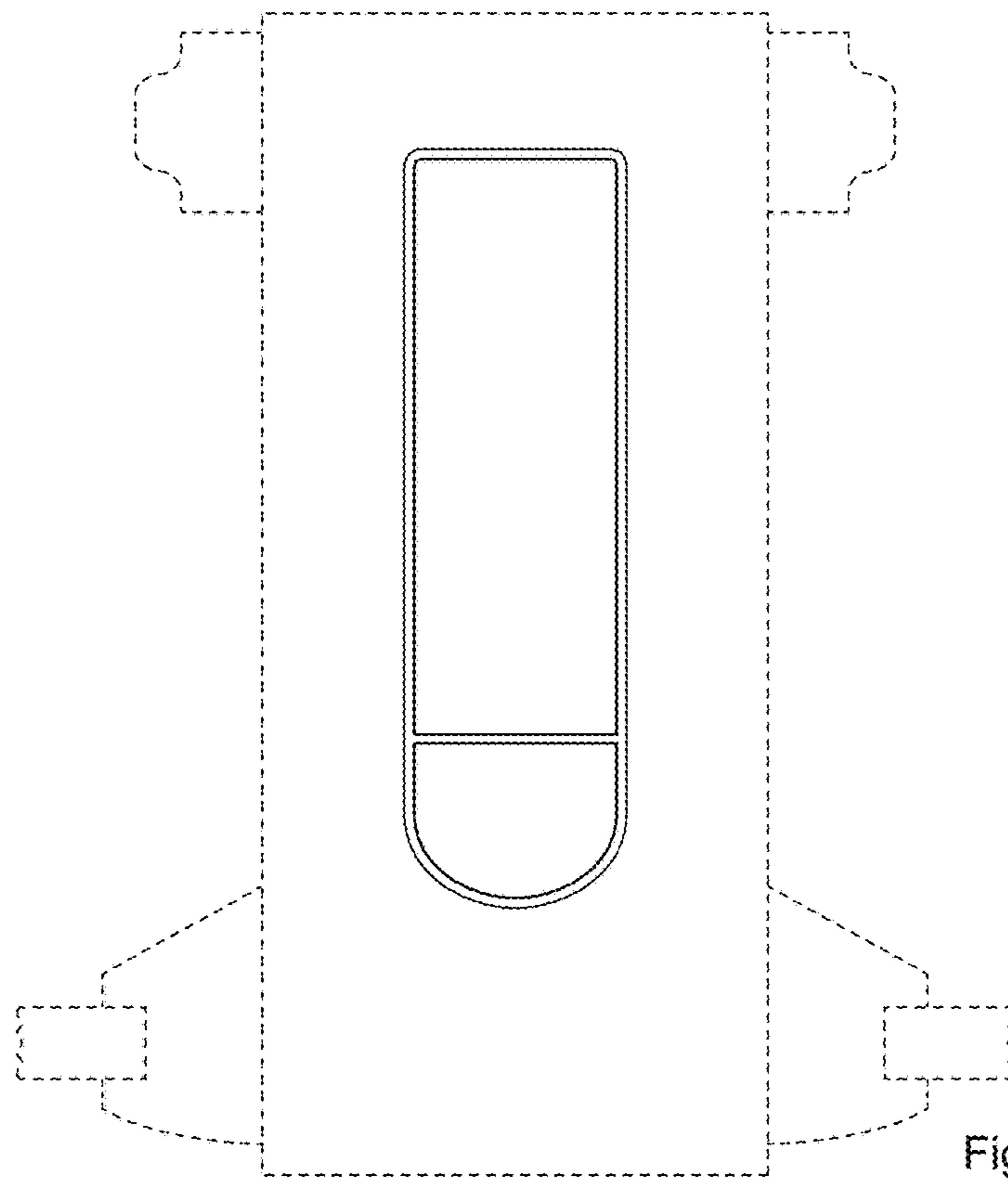
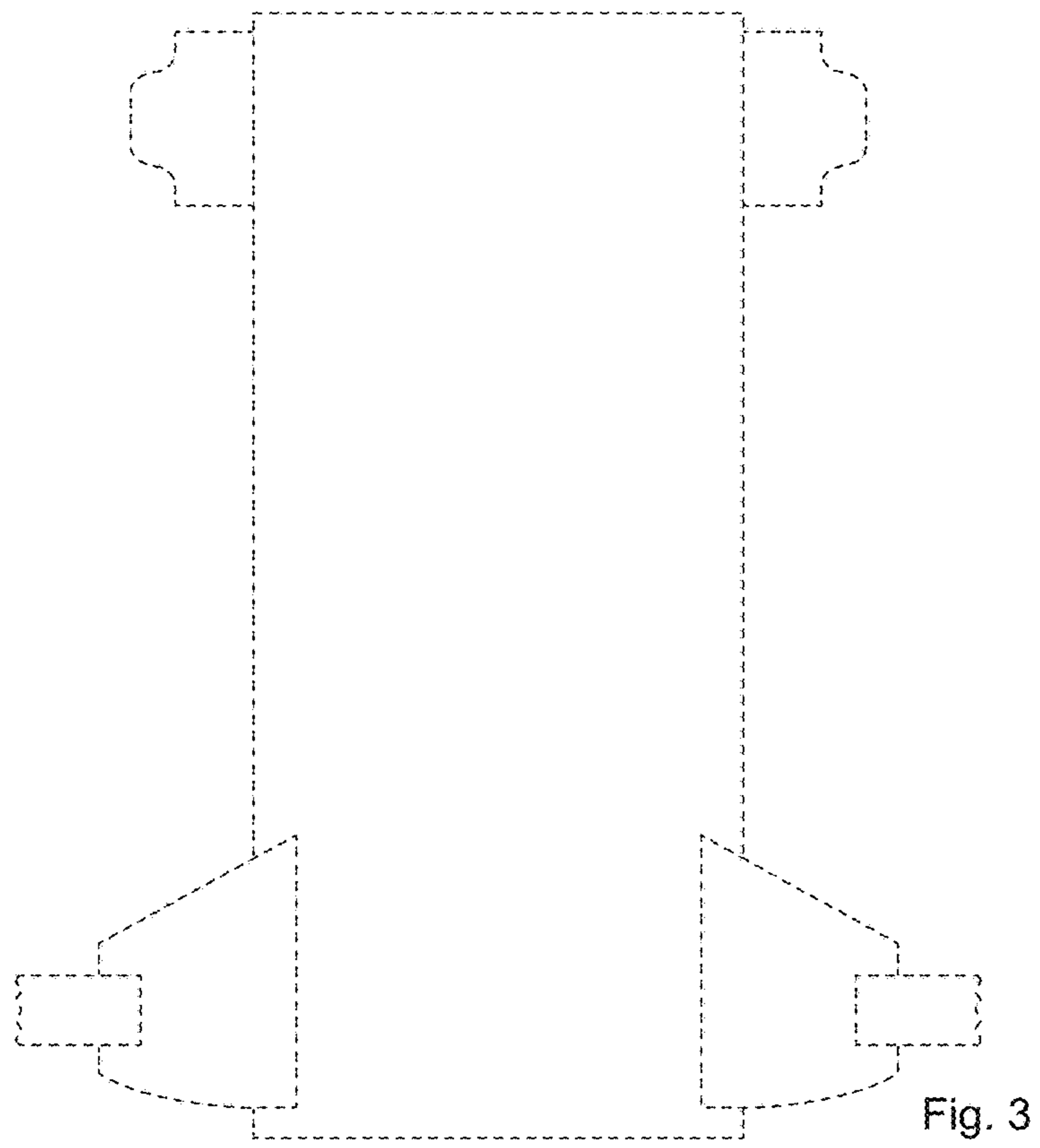


Fig. 2



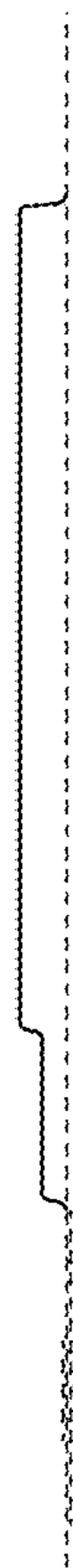


Fig. 4

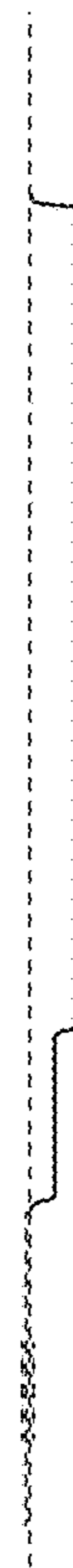


Fig. 5

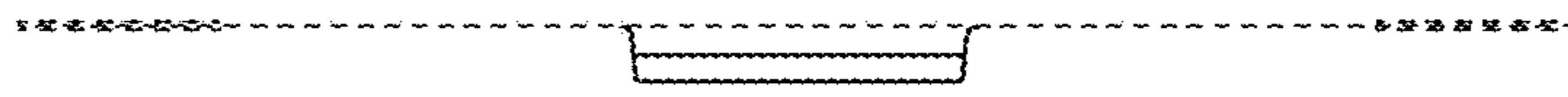


Fig. 6

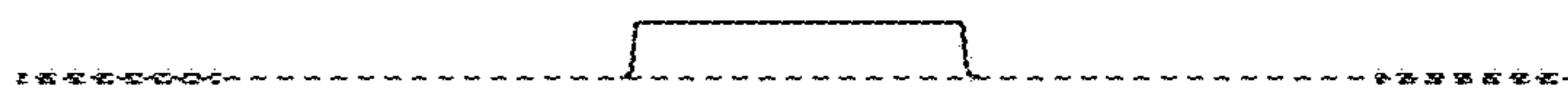


Fig. 7