



US00D840024S

(12) **United States Design Patent** (10) **Patent No.:** **US D840,024 S**
Stonecipher et al. (45) **Date of Patent:** **** Feb. 5, 2019**

(54) **ON-BODY INJECTOR FOR DRUG DELIVERY**

604/232, 187, 158, 164.08, 192, 263, 163, 604/181, 184, 198, 227, 168.01, 275, 604/890.1; D9/414, 424, 417, 426

(71) Applicant: **AMGEN INC.**, Thousand Oaks, CA (US)

CPC A61M 2005/14252; A61M 2005/1581; A61M 5/14248; A61M 2005/14513; A61M 2005/206

(72) Inventors: **Brian Stonecipher**, Newbury Park, CA (US); **Craig Lester**, Westlake Village, CA (US); **R. Paul Mounce**, Burbank, CA (US); **Eva Stump**, Newbury Park, CA (US); **Michel D. Arney**, Wellesley, MA (US); **Maxwell Franklin Bischoff**, Somerville, MA (US); **Laurie Burns**, St. Louis, MO (US); **Gregg Allen Flender**, Bedford, MA (US); **Barbara Hartigan**, Newbury Park, CA (US); **Gaurav Rohatgi**, Waltham, MA (US); **Bryce George Rutter**, Saint Louis, MO (US); **Megan Marie Rutter**, Saint Louis, MO (US); **Kristin Leigh Sjo-Gaber**, West Roxbury, MA (US)

See application file for complete search history.

(56) **References Cited**

U.S. PATENT DOCUMENTS

| | | | |
|--------------|--------|----------|---------|
| D370,011 S | 5/1996 | Lindeman | |
| D424,626 S * | 5/2000 | Goto | D21/329 |
| D441,185 S * | 5/2001 | Shimizu | D13/168 |
| D445,496 S | 7/2001 | Anderson | |

(Continued)

Primary Examiner — David G Muller

Assistant Examiner — Nathan M Johnston

(74) *Attorney, Agent, or Firm* — Marshall, Gerstein & Borun LLP

(73) Assignee: **AMGEN INC.**, Thousand Oaks, CA (US)

(57) **CLAIM**

The ornamental design for an on-body injector for drug delivery, as shown and described.

(**) Term: **15 Years**

DESCRIPTION

(21) Appl. No.: **29/634,319**

FIG. 1 is a perspective view showing a new design for an on-body injector for drug delivery; FIG. 2 is a top view of the on-body injector of FIG. 1; FIG. 3 is a bottom view of the on-body injector of FIG. 1; FIG. 4 is a right-side view of the on-body injector of FIG. 1; FIG. 5 is a left-side view of the on-body injector of FIG. 1; FIG. 6 is a back view of the on-body injector of FIG. 1; and, FIG. 7 is a front view of the on-body injector of FIG. 1. The dashed lines showing portions of the on-body injector are included for the purpose of illustrating environment and form no part of the claimed design.

(22) Filed: **Jan. 19, 2018**

Related U.S. Application Data

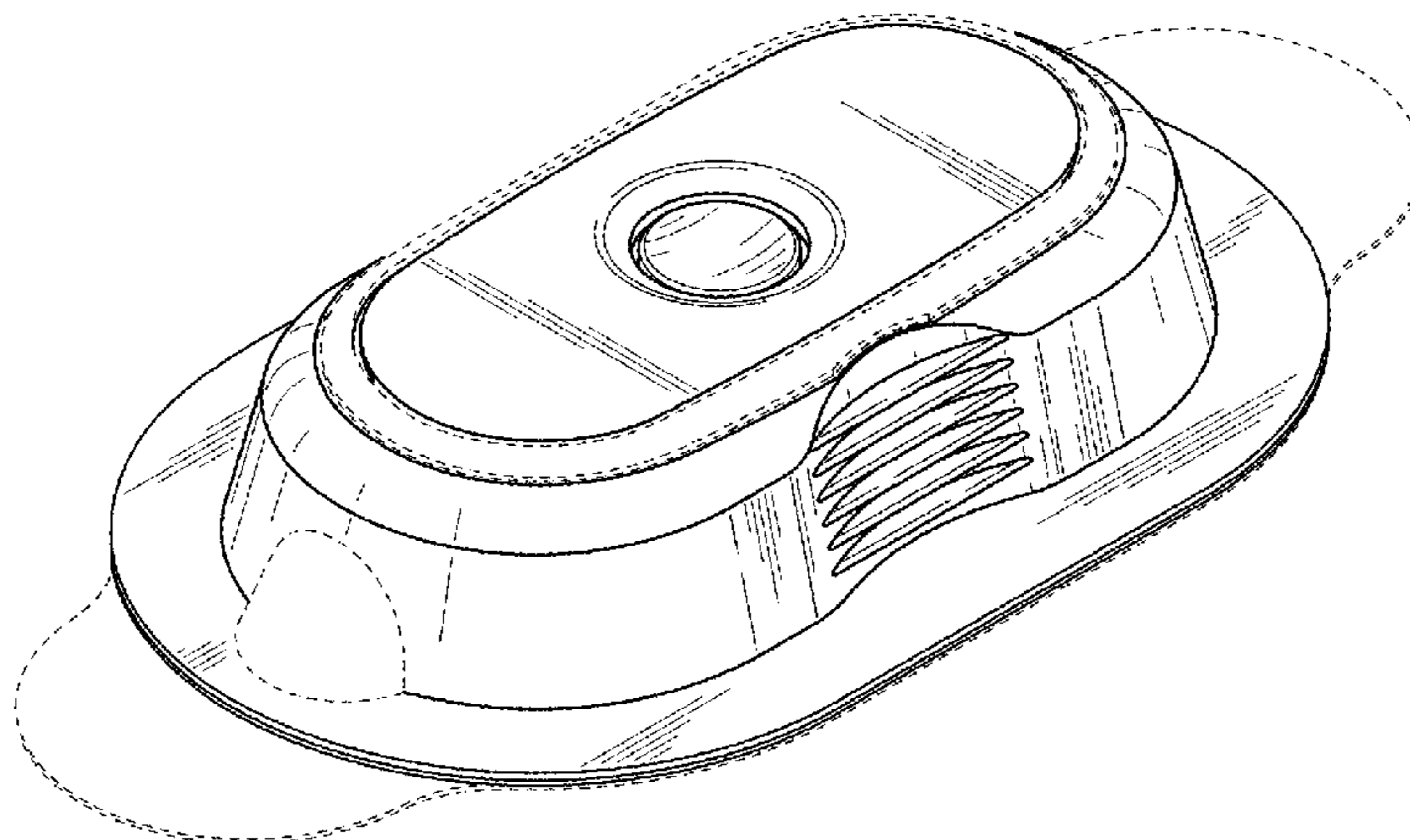
(62) Division of application No. 29/554,311, filed on Feb. 10, 2016, now Pat. No. Des. 821,571.

(51) **LOC (11) Cl.** **24-02**

(52) **U.S. Cl.**
USPC **D24/112**

(58) **Field of Classification Search**
USPC D24/112-114, 133, 186, 104, 130, 127, D24/176, 108, 110, 220; 606/181, 185;

1 Claim, 3 Drawing Sheets



(56)

References Cited

U.S. PATENT DOCUMENTS

| | | | | | | | | | |
|----------------|---------|------------------|-------|--------------|-------------------|---------|-----------------|-------|---------------|
| D483,281 S * | 12/2003 | Cobigo | | D10/104.1 | D710,229 S * | 8/2014 | Burke | | D10/104.1 |
| D490,069 S * | 5/2004 | Lee | | D14/188 | D714,266 S | 9/2014 | Okamura et al. | | |
| D495,303 S | 8/2004 | Coullahan et al. | | | 9,220,838 B2 * | 12/2015 | Soma | | A61M 1/36 |
| D510,584 S * | 10/2005 | Tierney | | D14/203.6 | D769,438 S | 10/2016 | Crosby et al. | | |
| D544,092 S | 6/2007 | Lewis | | | D792,359 S * | 7/2017 | Nakagawa | | D13/168 |
| D552,184 S * | 10/2007 | Hussaini | | D14/496 | D794,771 S * | 8/2017 | Wu | | D24/108 |
| D554,630 S * | 11/2007 | Ma | | D14/240 | D794,801 S * | 8/2017 | Newhouse | | D24/169 |
| D561,730 S * | 2/2008 | Deubler | | D14/138 AA | D806,232 S * | 12/2017 | Hwang | | D24/112 |
| D602,155 S * | 10/2009 | Foley | | D24/113 | D812,738 S * | 3/2018 | Wolford | | D24/111 |
| D602,586 S * | 10/2009 | Foley | | D24/113 | D814,019 S * | 3/2018 | Crosby | | D24/110 |
| D622,685 S | 8/2010 | Garra et al. | | | D815,289 S * | 4/2018 | Evers | | D24/169 |
| 7,976,493 B2 | 7/2011 | Carter et al. | | | 9,962,295 B2 * | 5/2018 | Dunn | | A61F 13/00068 |
| D649,532 S * | 11/2011 | Tran | | D14/218 | D821,571 S * | 6/2018 | Stonecipher | | D24/112 |
| 8,210,172 B2 * | 7/2012 | Crowder | | A61M 15/0045 | 2005/0064917 A1 * | 3/2005 | Peng | | H04M 1/021 |
| | | | | 128/200.24 | | | | | 455/575.1 |
| D674,786 S * | 1/2013 | Park | | D14/240 | 2009/0254041 A1 | 10/2009 | Krag et al. | | |
| D707,651 S * | 6/2014 | Tsai | | D14/191 | 2011/0306929 A1 | 12/2011 | Levesque et al. | | |
| | | | | | 2014/0276576 A1 | 9/2014 | Cole et al. | | |
| | | | | | 2015/0250943 A1 | 9/2015 | Momose | | |
| | | | | | 2015/0306307 A1 | 10/2015 | Cole et al. | | |

* cited by examiner

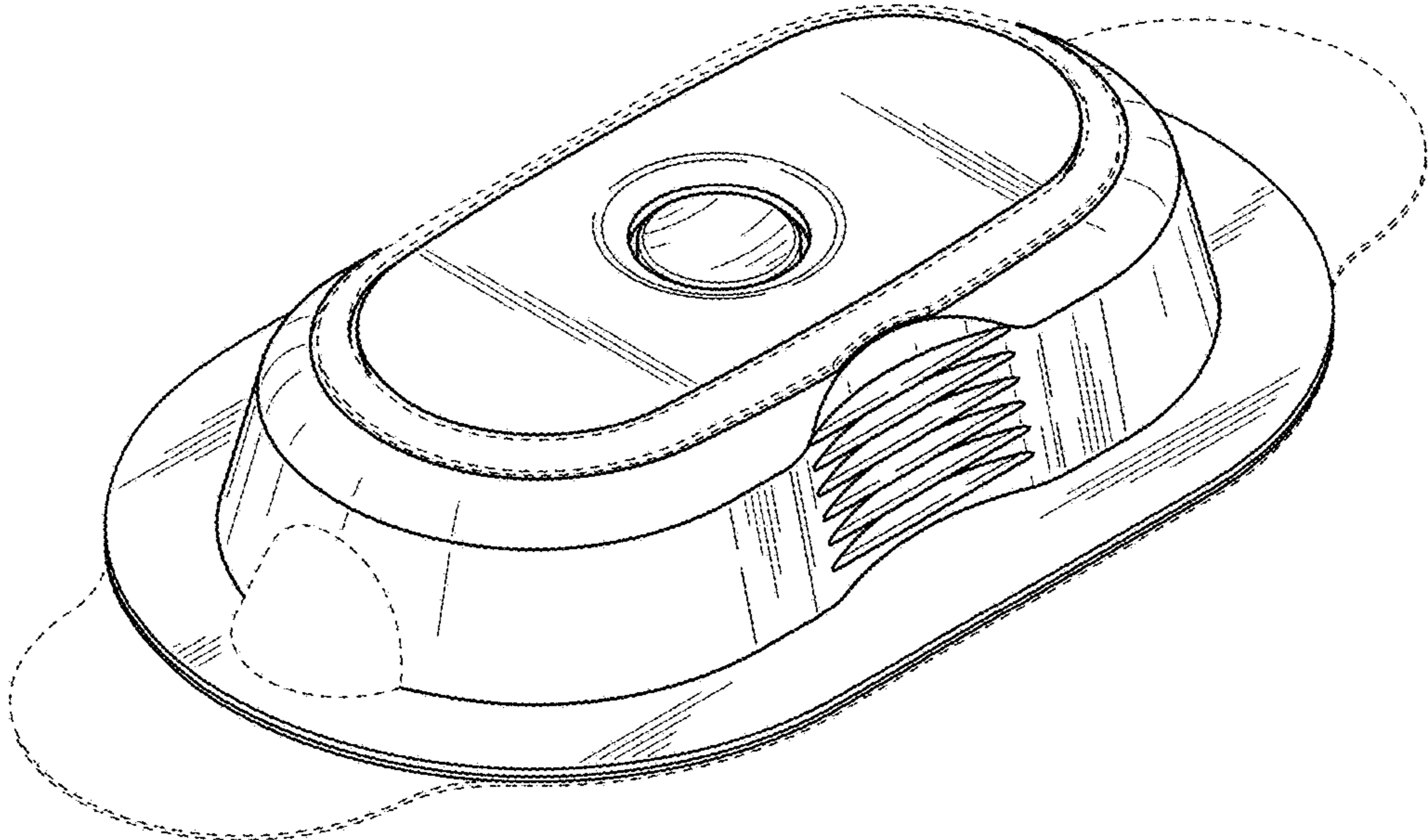


FIG. 1

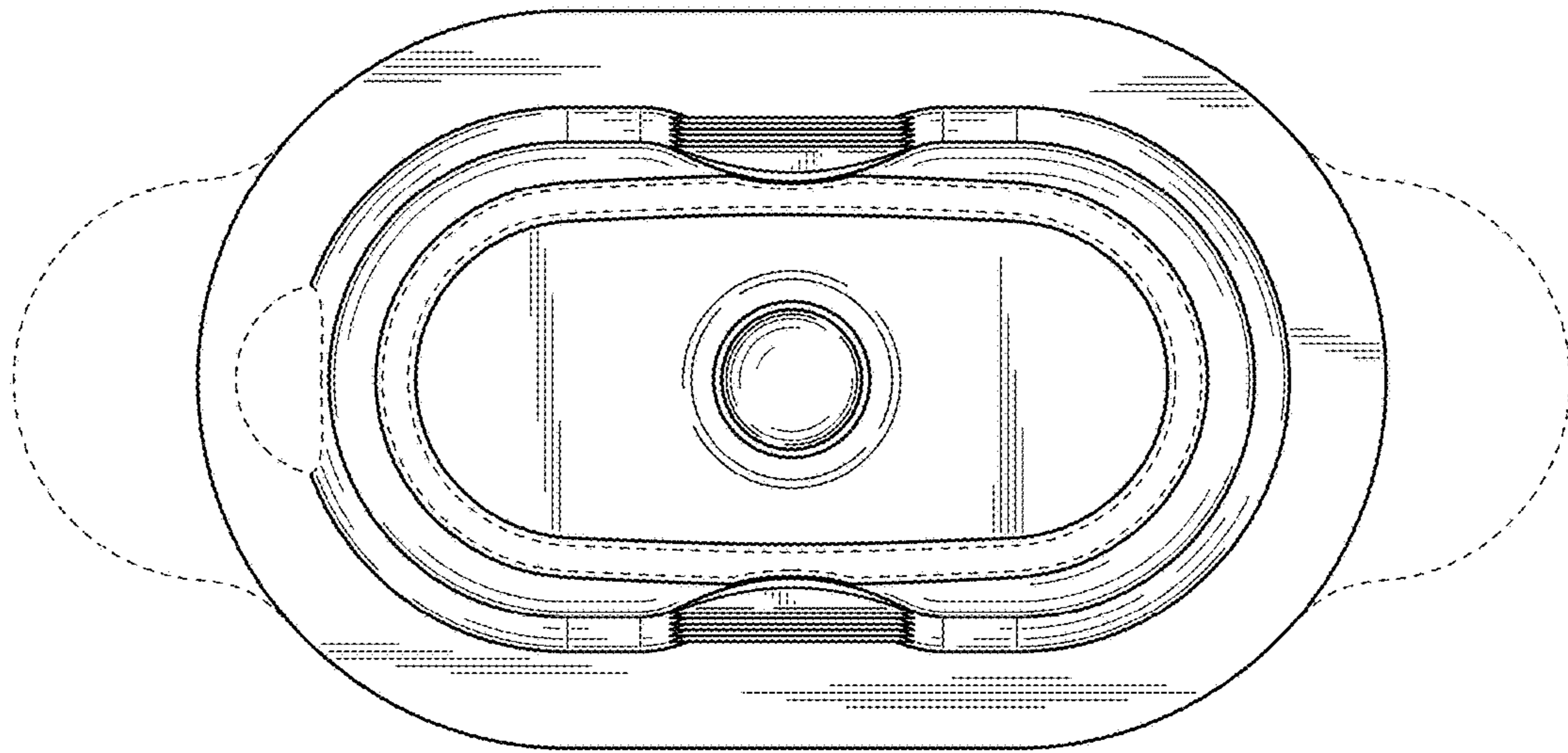


FIG. 2

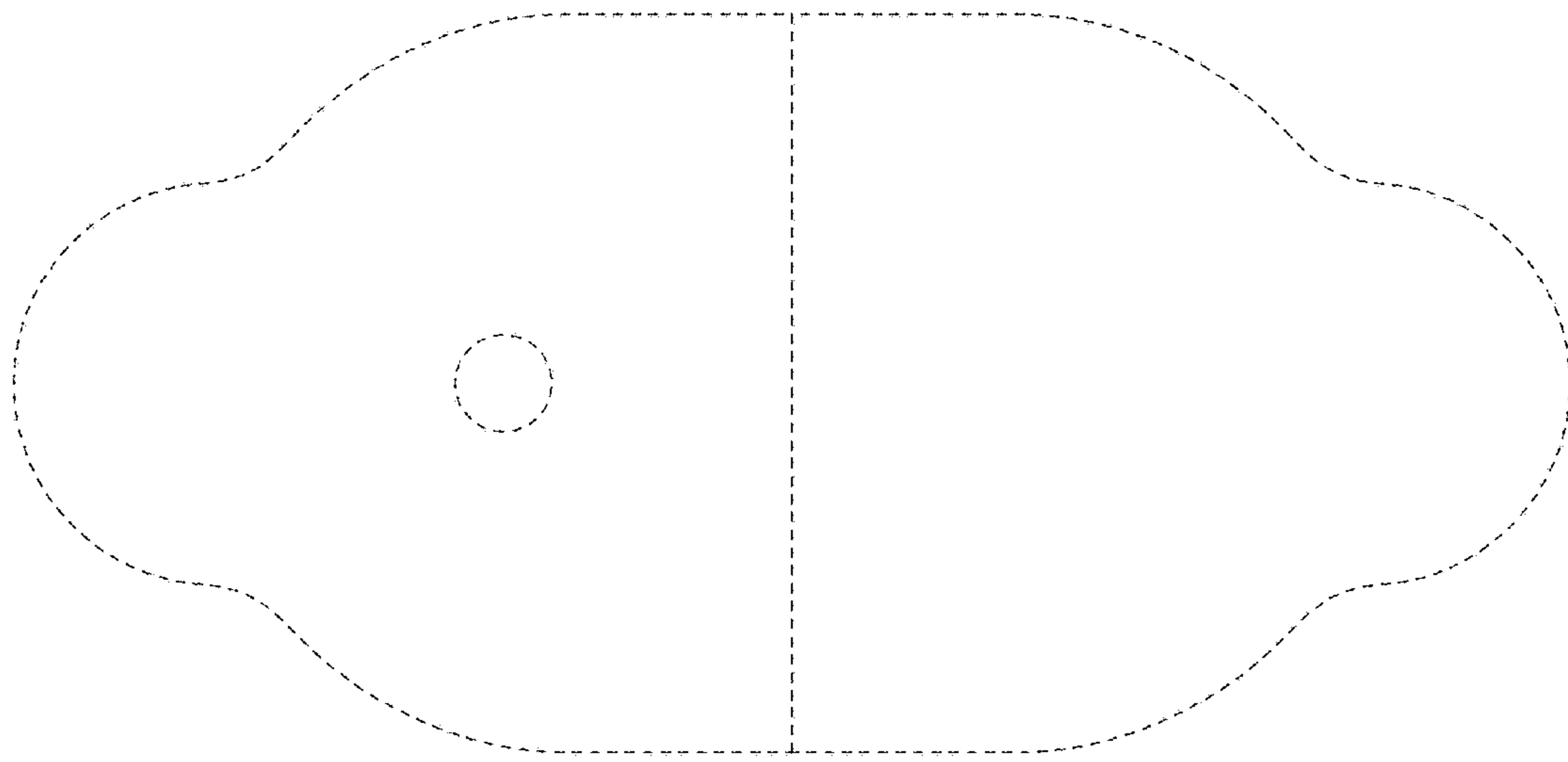


FIG. 3

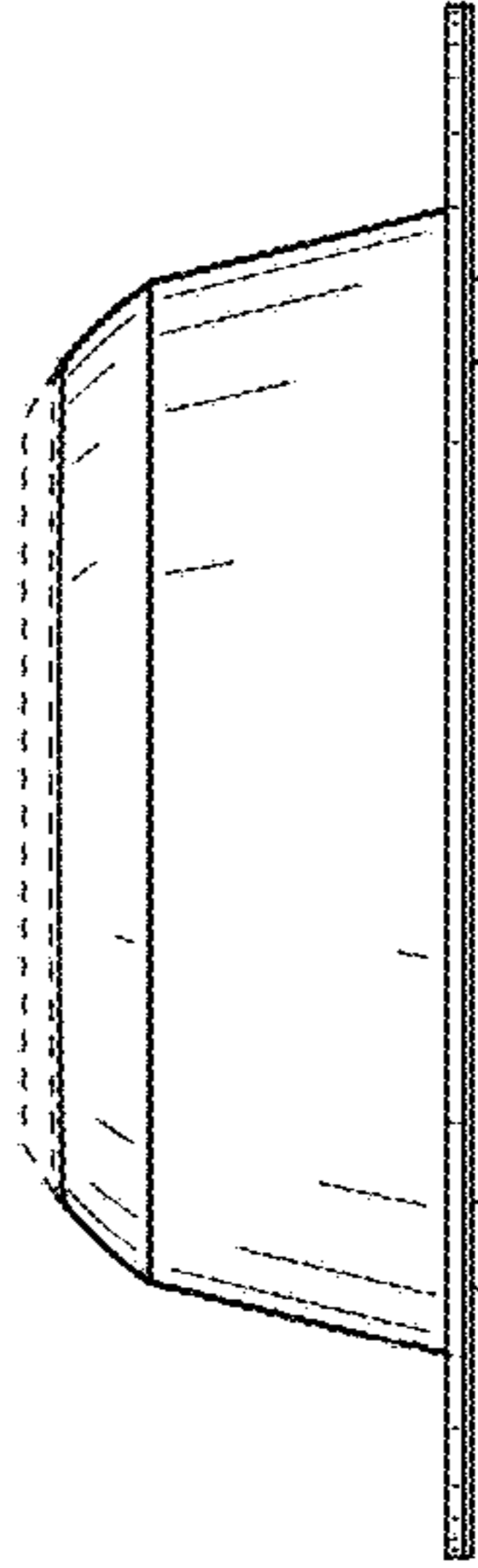


FIG. 4

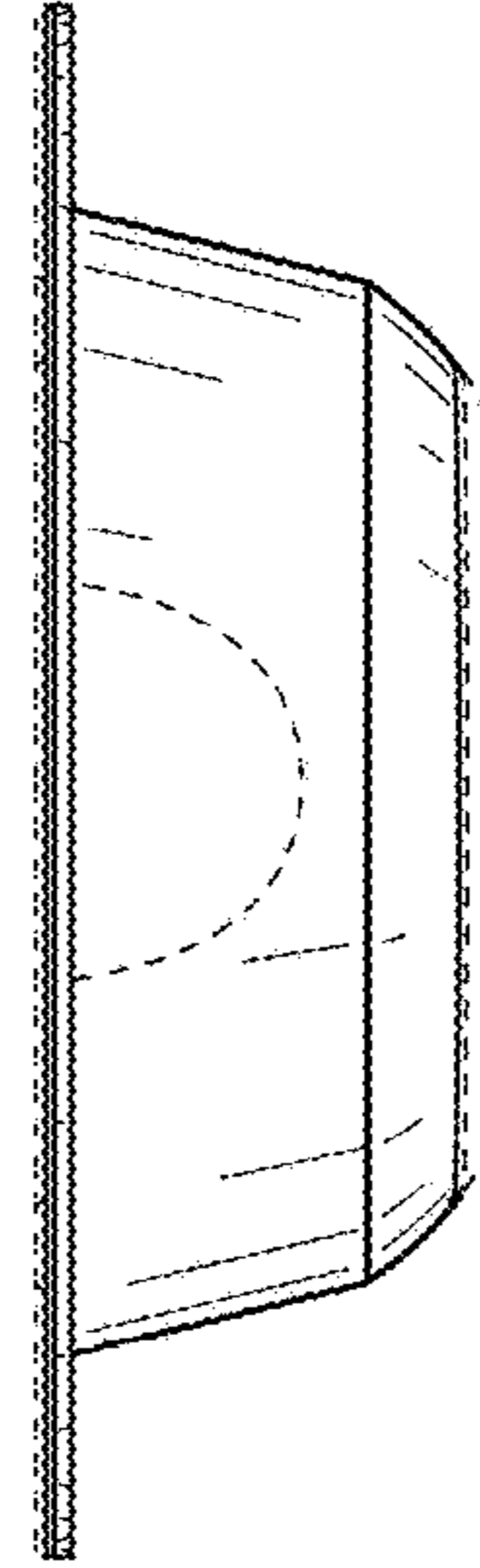


FIG. 5

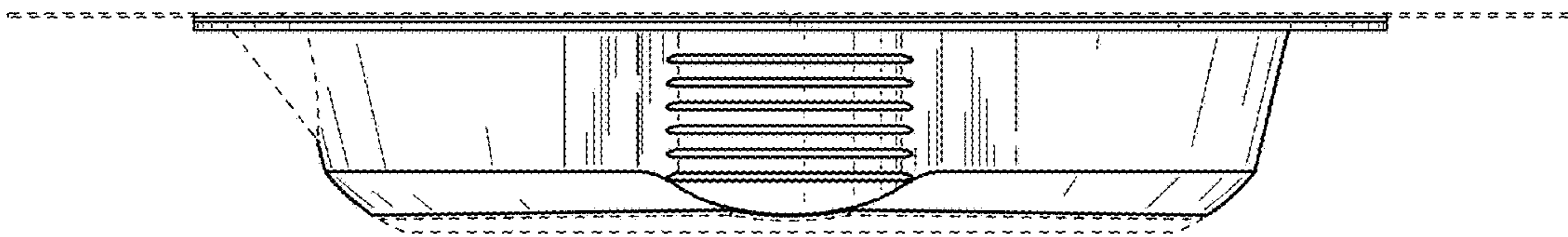


FIG. 6

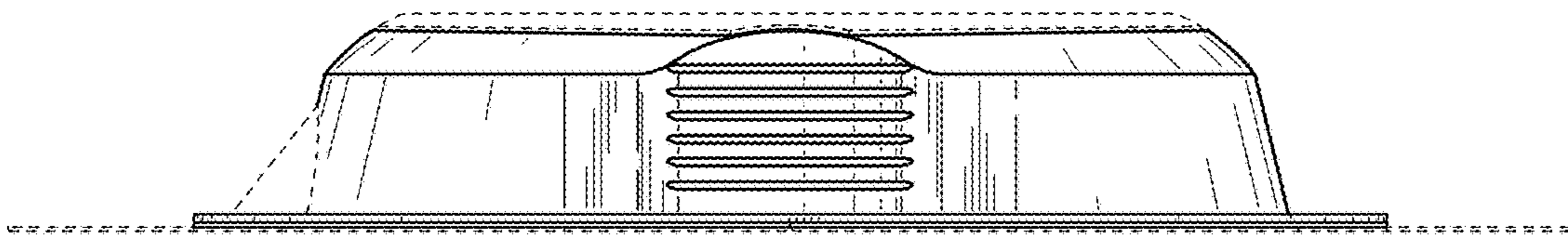


FIG. 7