



US00D840021S

(12) **United States Design Patent** (10) **Patent No.:** **US D840,021 S**
Lacy et al. (45) **Date of Patent:** **** Feb. 5, 2019**

(54) **INFUSION PUMP WITH INTERCONNECT FEATURES**

(71) Applicant: **Smiths Medical ASD, Inc.**, Plymouth, MN (US)

(72) Inventors: **Christopher Lacy**, Arden Hills, MN (US); **Walter Dobrovolny**, Saint Paul, MN (US); **Kevin Krautbauer**, Saint Paul, MN (US); **Jonathan Sanborn**, Saint Louis Park, MN (US); **Steven Plager**, Eden Prairie, MN (US)

(73) Assignee: **Smiths Medical ASD, Inc.**, Plymouth, MN (US)

(**) Term: **15 Years**

(21) Appl. No.: **29/587,011**

(22) Filed: **Dec. 8, 2016**

(51) **LOC (11) Cl.** **24-02**

(52) **U.S. Cl.**
USPC **D24/111; D24/128**

(58) **Field of Classification Search**
USPC D24/108, 111, 112, 114, 127, 128, 129, D24/130, 133, 141, 146, 147, 152, 186,
(Continued)

(56) **References Cited**

U.S. PATENT DOCUMENTS

4,620,736 A * 11/1986 Shanks B60D 1/06
224/517
D367,528 S * 2/1996 Marston D24/111
(Continued)

OTHER PUBLICATIONS

memteknoloji.com, Stackable Syringe Pump Dixson Instilar 1438, undated online product page, retrieved Sep. 18, 2018 from <URL:http://memteknoloji.com/dixion/www.dixion.de/en/catalogue/intensivstation-4/injektionspumpen-4/stapelbare-injektionspumpe-instilar-1438-3.html> (Year: 2018).*

(Continued)

Primary Examiner — Sheryl Lane

Assistant Examiner — Calvin E Vansant

(74) *Attorney, Agent, or Firm* — Patterson Thuent Pedersen, P.A.

(57) **CLAIM**

We claim the ornamental design for infusion pump with interconnect features, as shown and described.

DESCRIPTION

FIG. 1 is a top rear perspective view of infusion pump with interconnect features according to a first embodiment of the invention.

FIG. 2 is a bottom perspective view of the infusion pump with interconnect features.

FIG. 3 is a front elevation view of the infusion pump with interconnect features.

FIG. 4 is a rear elevation view of the infusion pump with interconnect features.

FIG. 5 is a side elevation view of the infusion pump with interconnect features.

FIG. 6 is another side elevation view of the infusion pump with interconnect features, from the side opposite that in FIG. 5.

FIG. 7 is a top plan view of the infusion pump with interconnect features.

FIG. 8 is a bottom plan view of the infusion pump with interconnect features.

FIG. 9 is a top rear perspective view of infusion pump with interconnect features according to a second embodiment of the invention.

FIG. 10 is a bottom perspective view of the infusion pump with interconnect features according to the second embodiment.

FIG. 11 is a front elevation view of the infusion pump with interconnect features according to the second embodiment.

FIG. 12 is a rear elevation view of the infusion pump with interconnect features according to the second embodiment.

FIG. 13 is a side elevation view of the infusion pump with interconnect features according to the second embodiment.

FIG. 14 is another side elevation view of the infusion pump with interconnect features according to the second embodiment, from the side opposite that in FIG. 13.

(Continued)

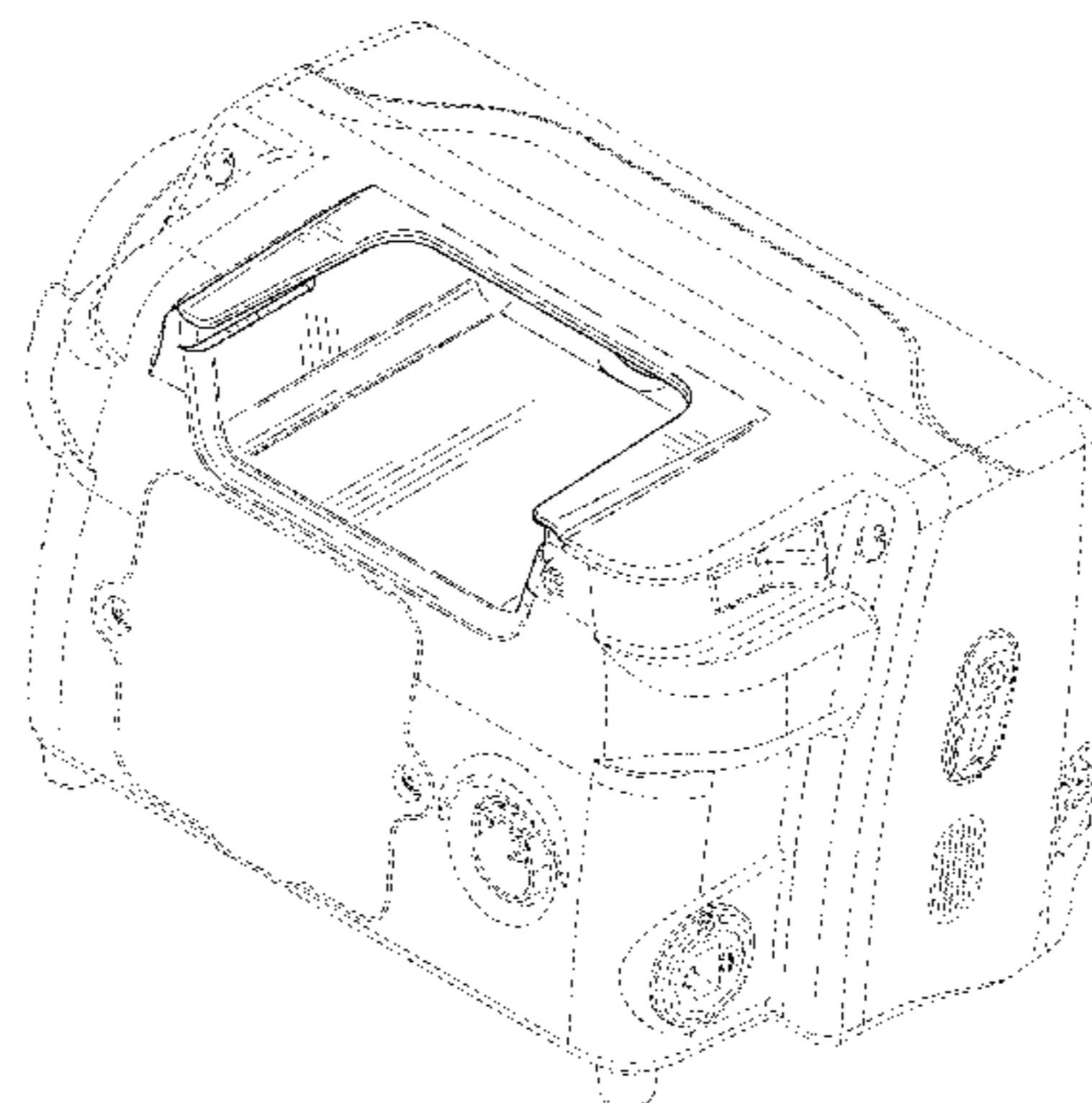


FIG. 15 is a top plan view of the infusion pump with interconnect features according to the second embodiment; and,

FIG. 16 is a bottom plan view of the infusion pump with interconnect features according to the second embodiment. In the drawings, the dashed broken lines depict portions of the infusion pump interconnect features that form no part of the claim. The dot-dashed broken lines depict the boundary of the claimed design and form no part of the claim.

1 Claim, 16 Drawing Sheets

(58) **Field of Classification Search**

USPC D24/214, 215; D8/93, 97, 300, 310, 311;
 D23/129, 223, 249, 259, 262; D16/202;
 D14/171, 196; D15/7
 CPC A61B 1/00094; A61M 2005/1583; A61M
 2005/1586; A61M 2005/3277; A61M
 5/158; A61M 5/1413; A61M 5/1582;
 A61M 5/3243; A61M 25/0606; A61M

25/0612; A61M 25/0631; A61M 25/0637;
 A61M 5/14228; A61M 5/142; A61F
 2002/9517; F04B 43/082; F04B 43/1223
 See application file for complete search history.

(56)

References Cited

U.S. PATENT DOCUMENTS

5,782,805	A	7/1998	Meinzer et al.	
5,954,527	A	9/1999	Jhuboo et al.	
7,556,616	B2	7/2009	Fathallah et al.	
7,896,572	B2	3/2011	Fathallah et al.	
D679,379	S *	4/2013	Katsura	D24/111
9,545,475	B2	1/2017	Borges et al.	
2013/0272773	A1	10/2013	Kamen et al.	

OTHER PUBLICATIONS

Emsworld.com, Space Infusion Pump System, undated online product page, retrieved Sep. 18, 2018 from <URL:https://www.emsworld.com/product/10264356/space-infusion-pump-system> (Year: 2018).*

* cited by examiner

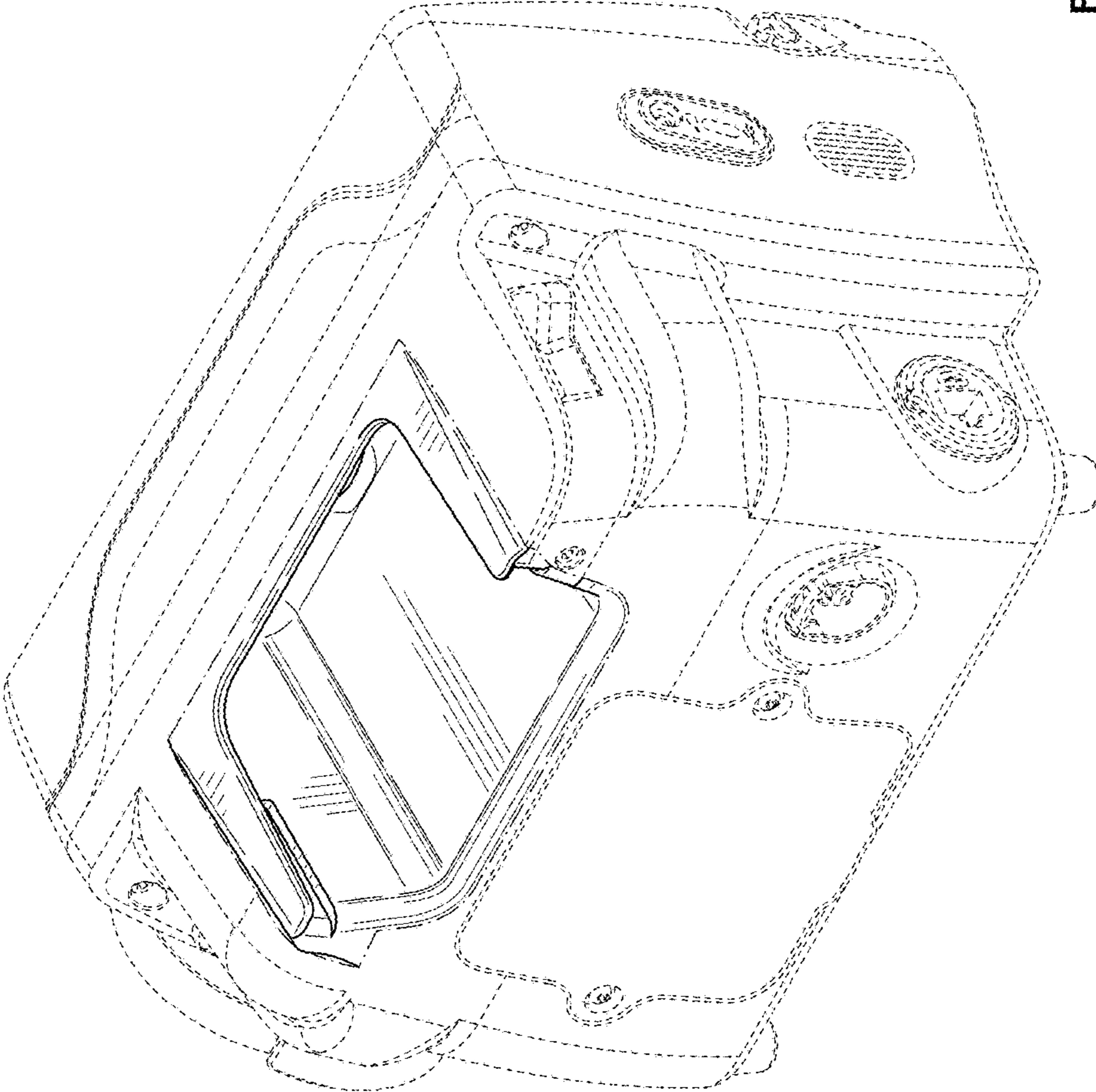


FIG. 1

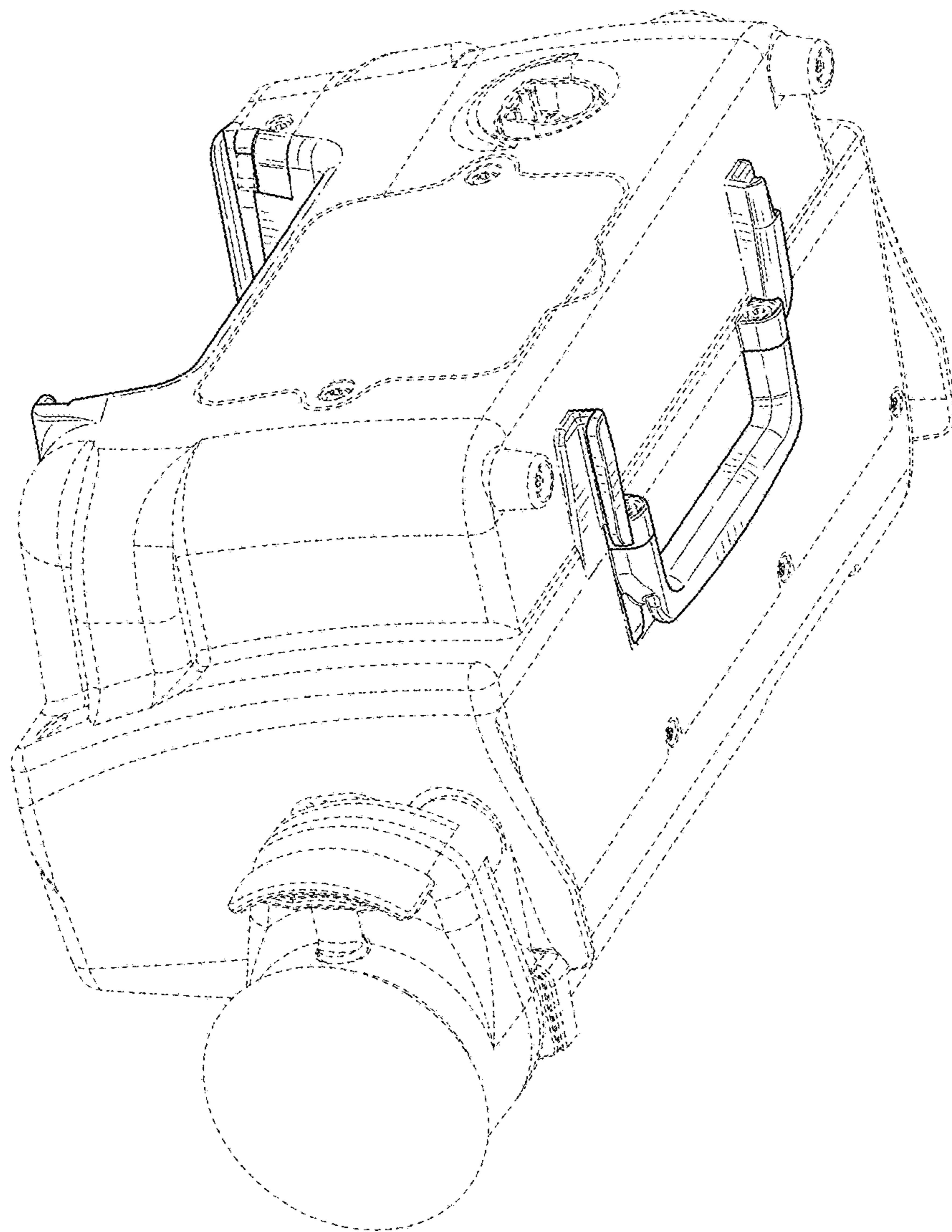


FIG. 2

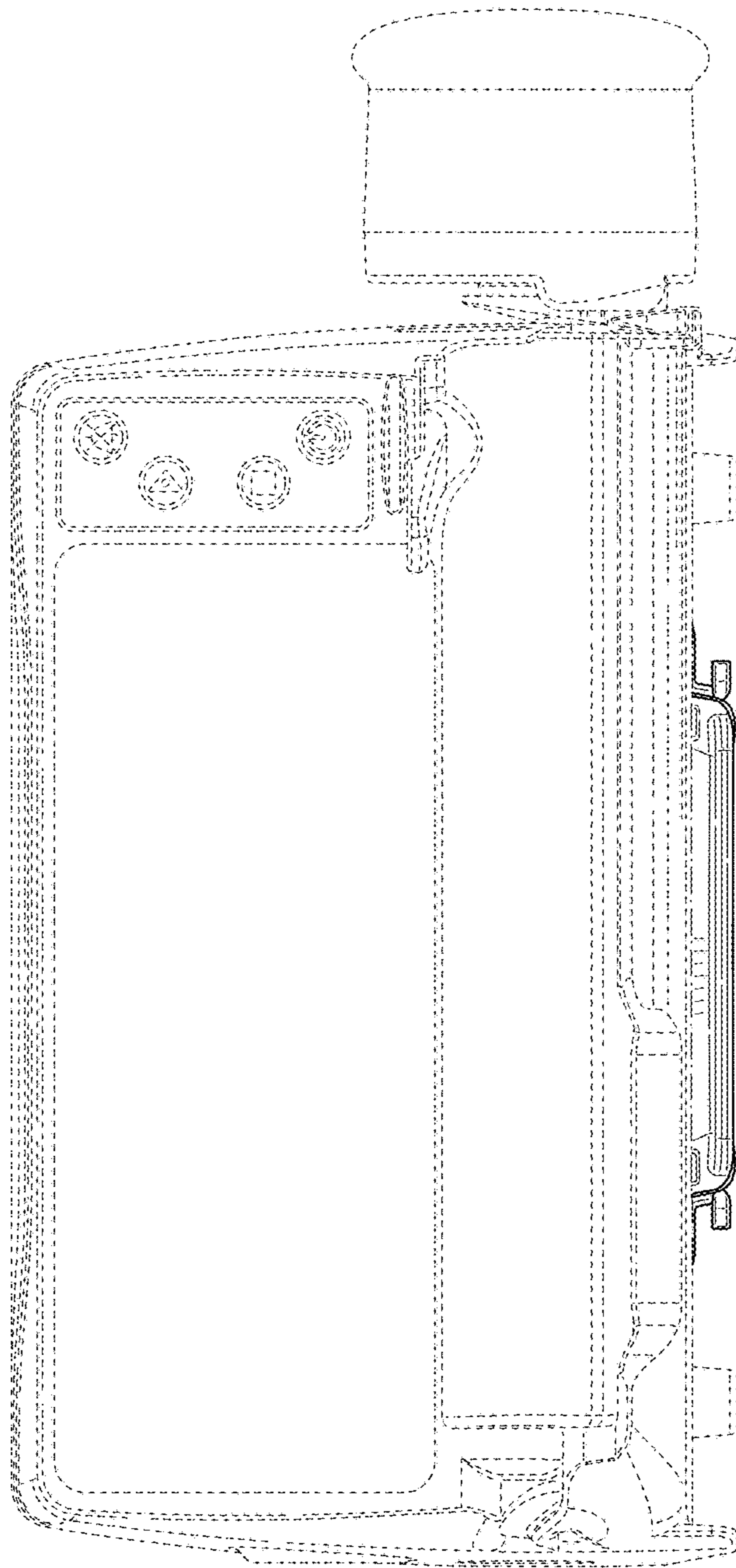


FIG. 3

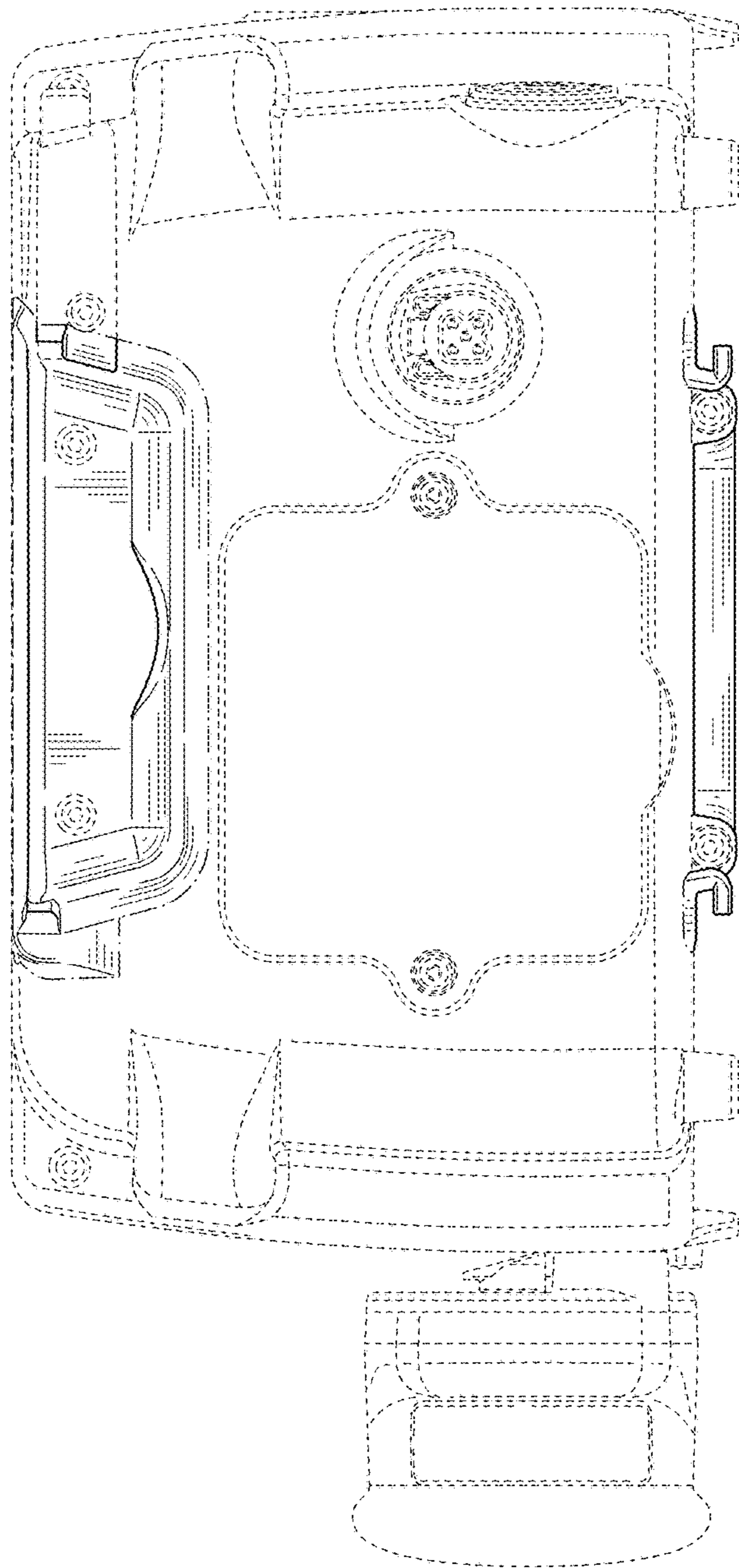


FIG. 4

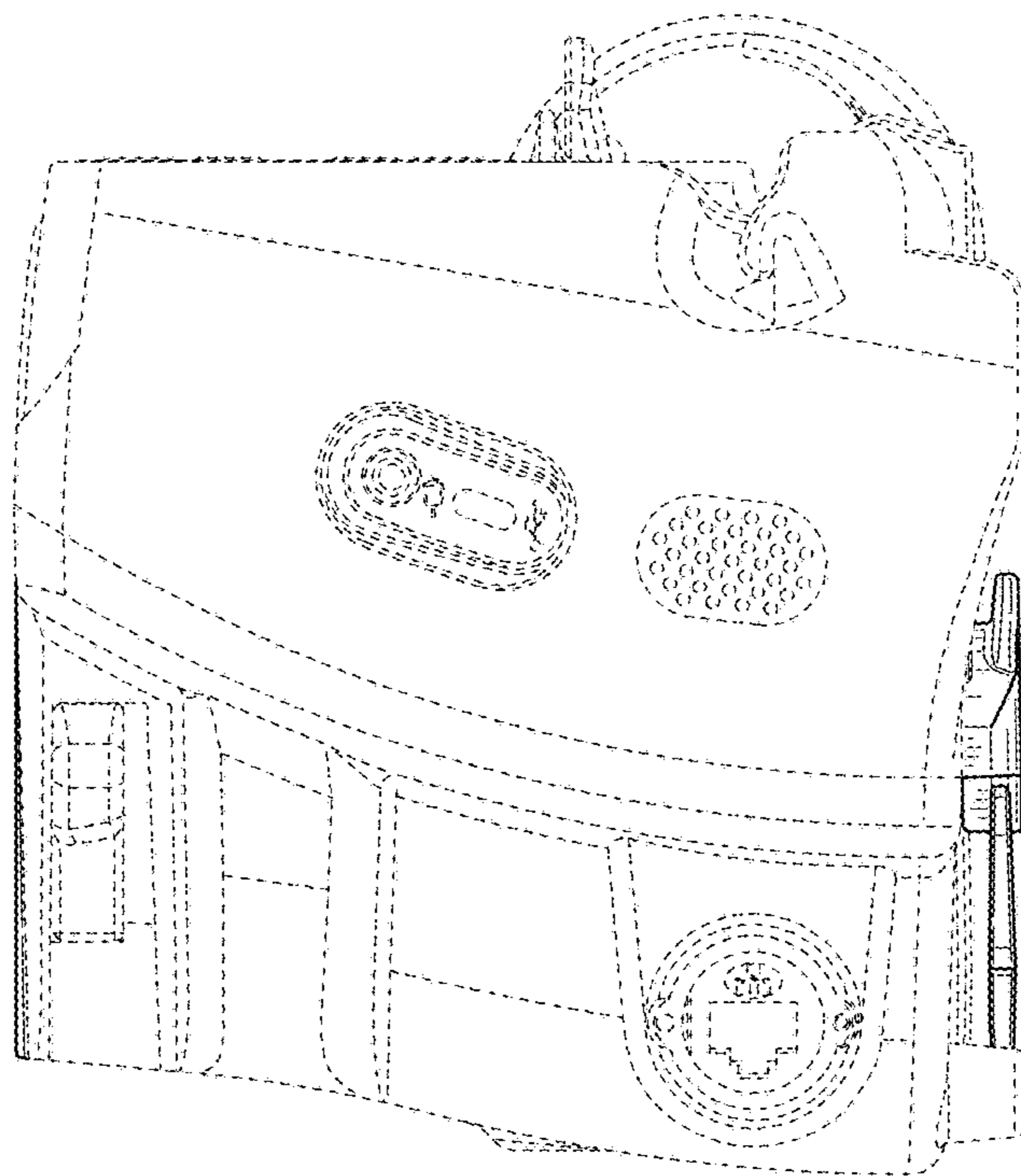


FIG. 5

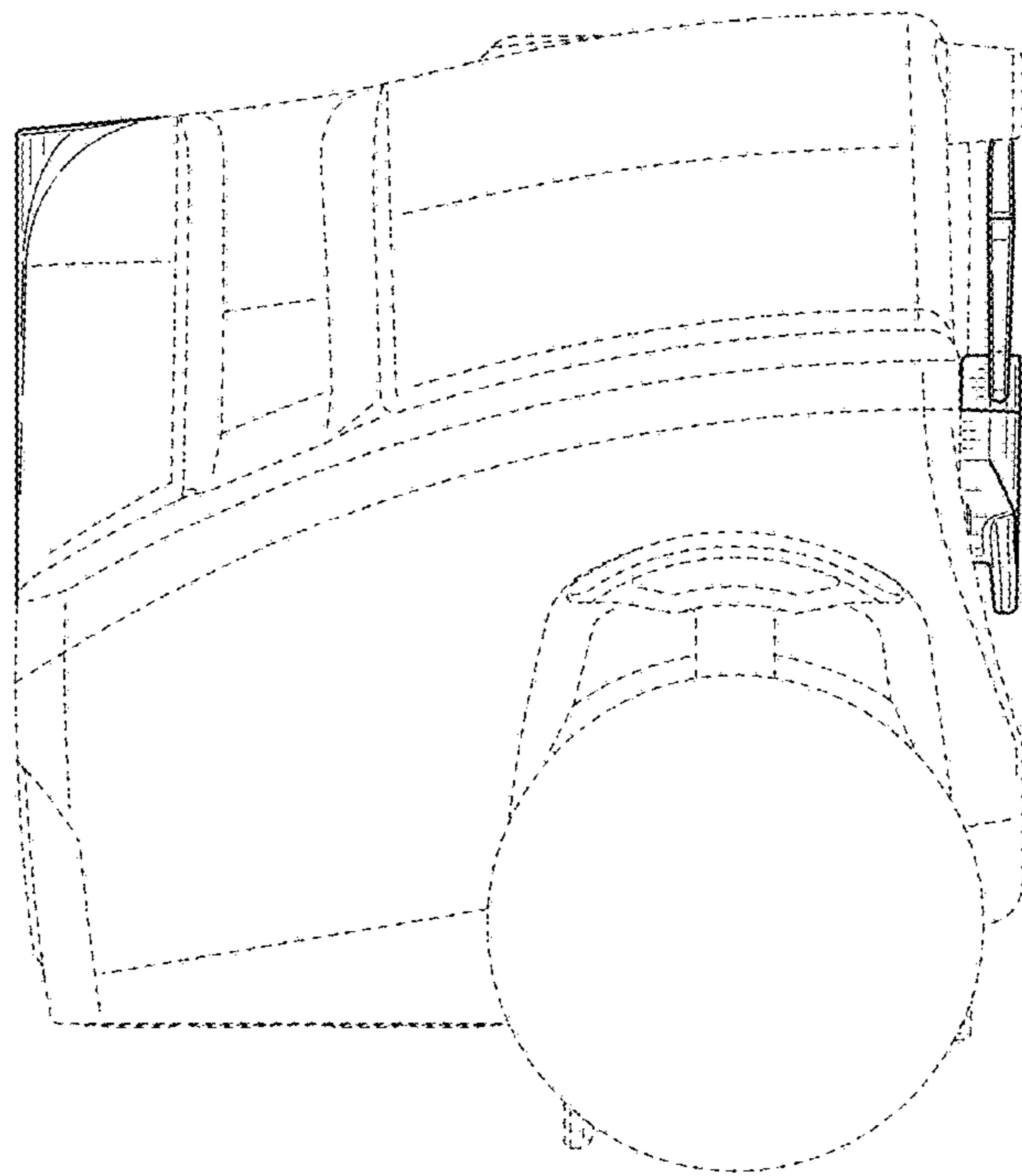


FIG. 6

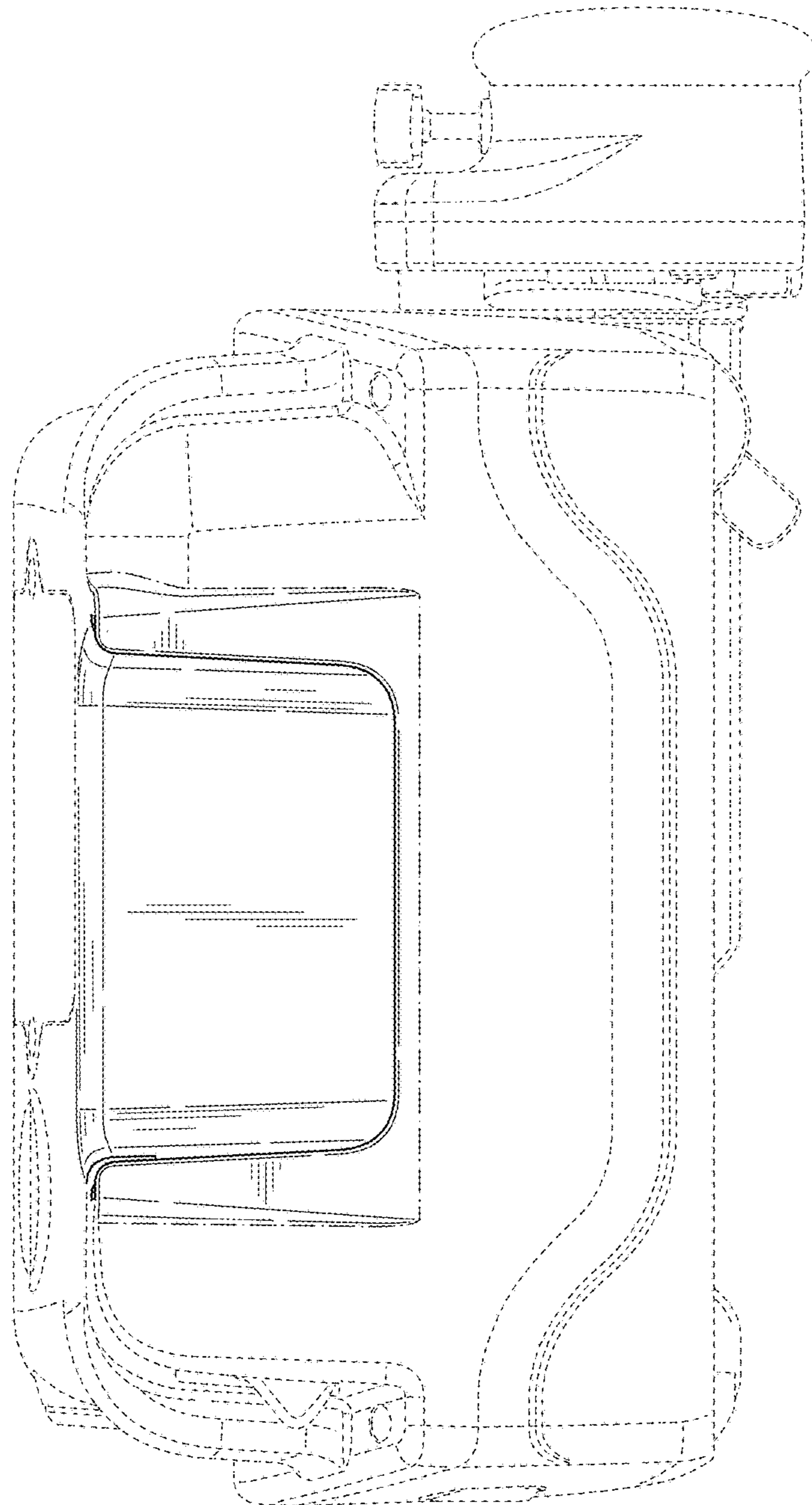


FIG. 7

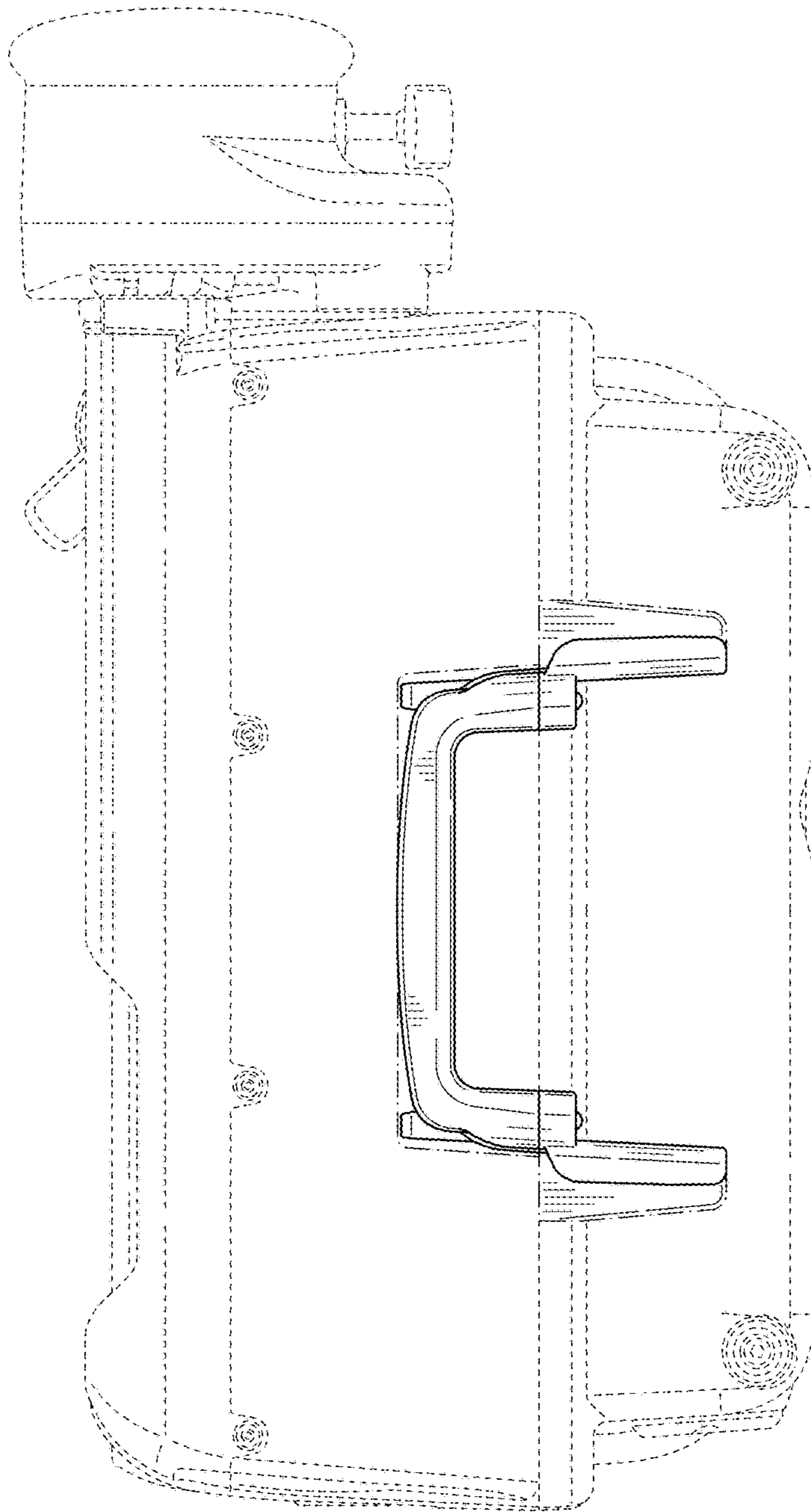


FIG. 8

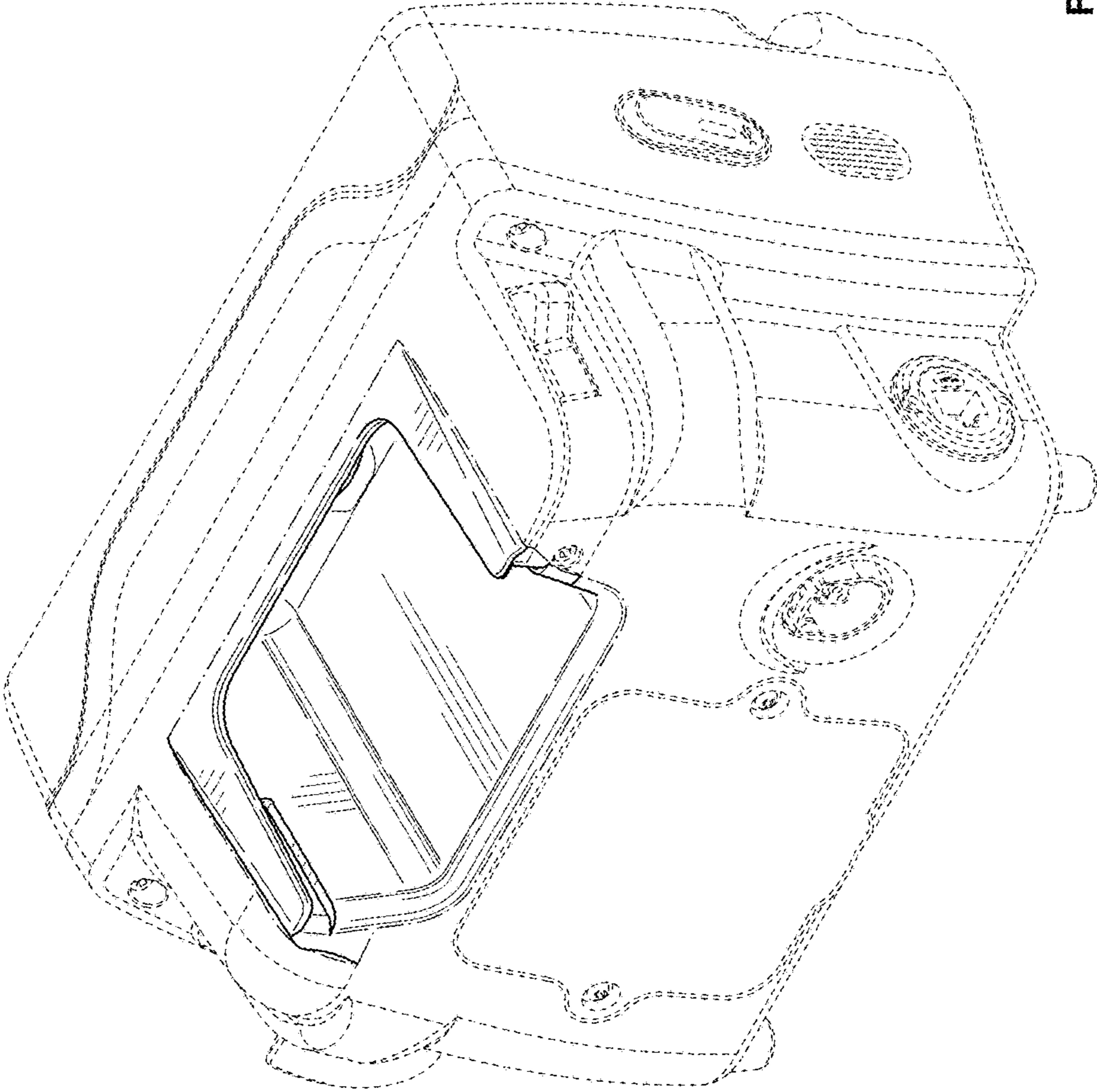


FIG. 9

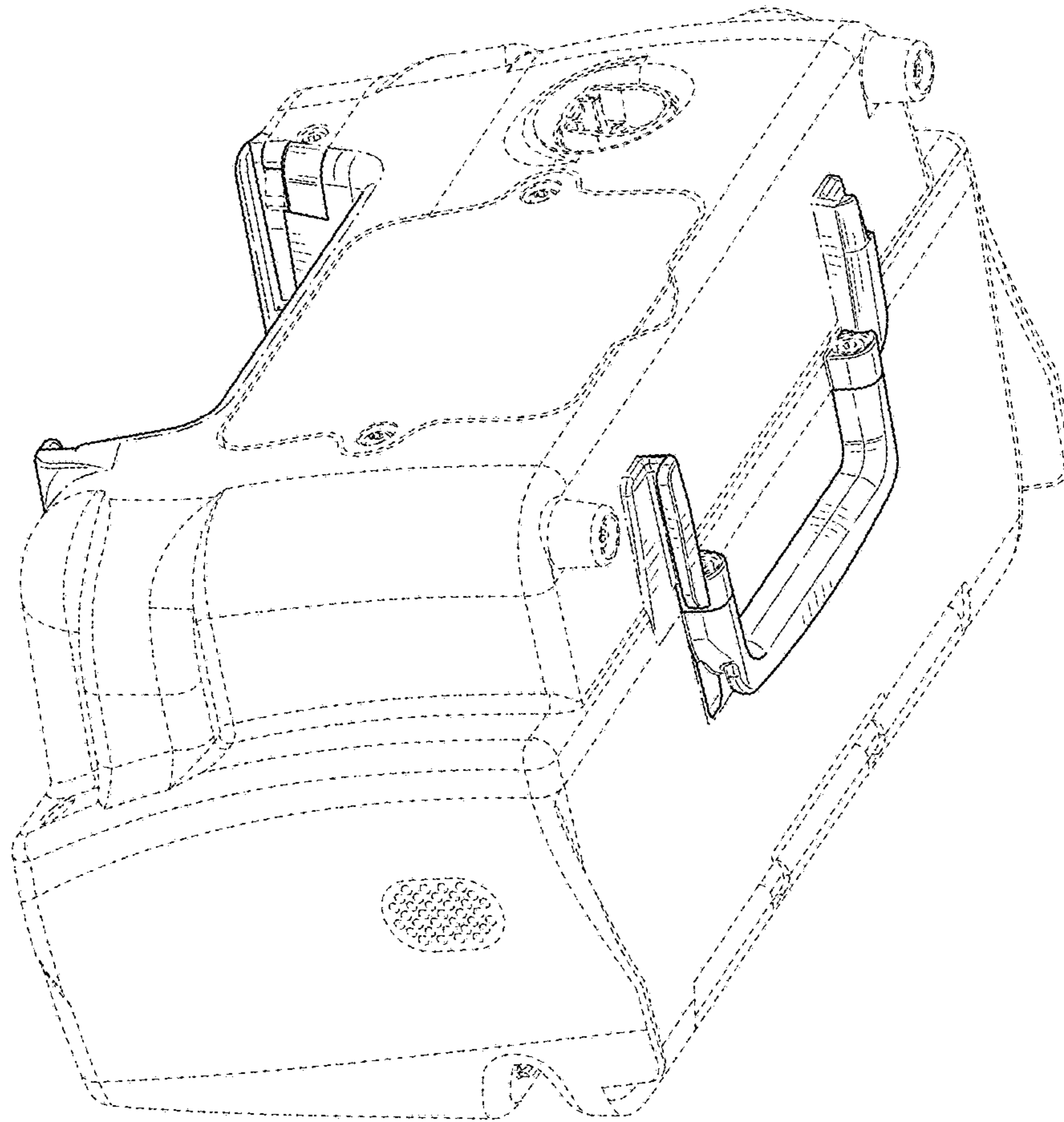


FIG. 10

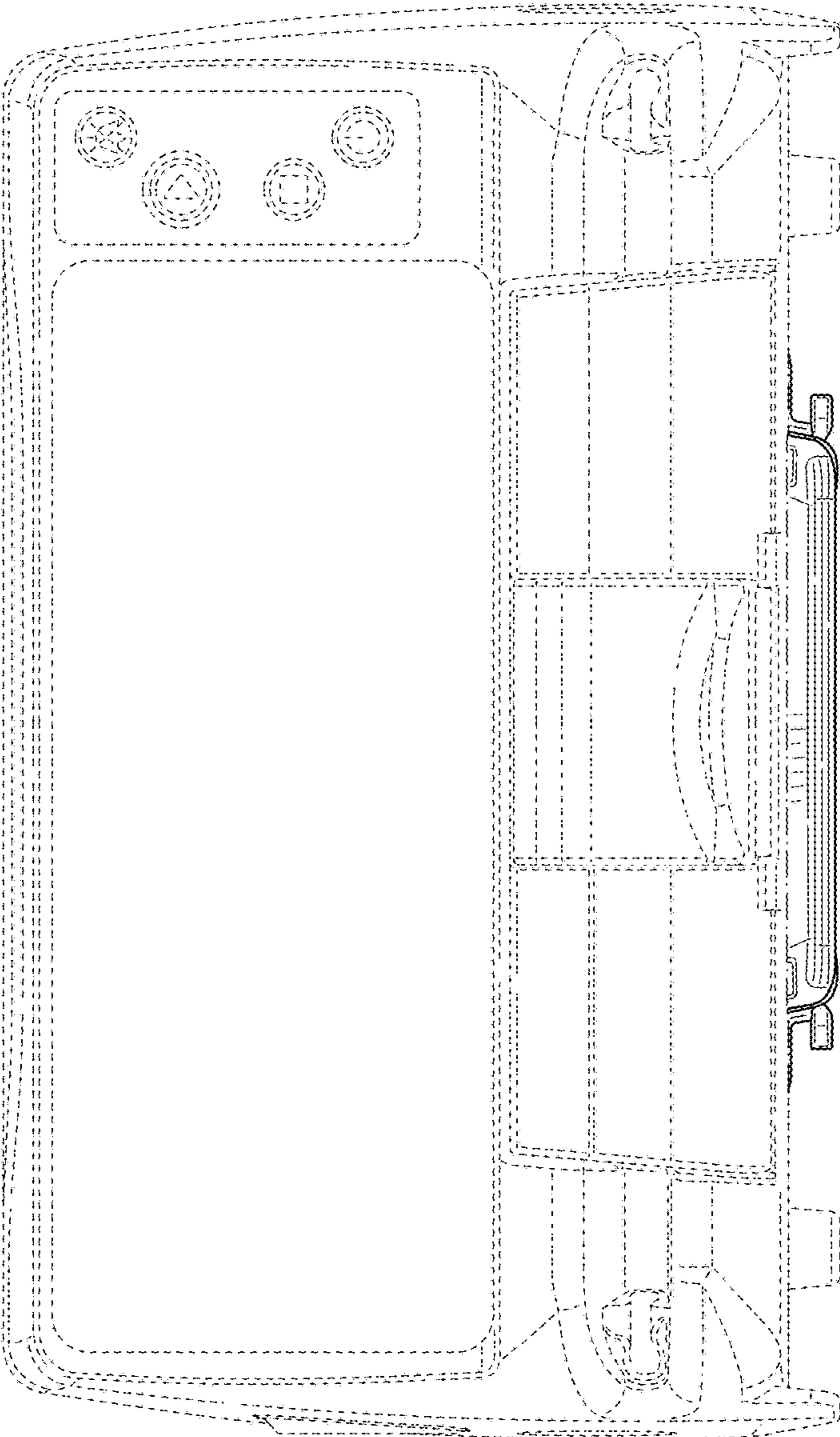


FIG. 11

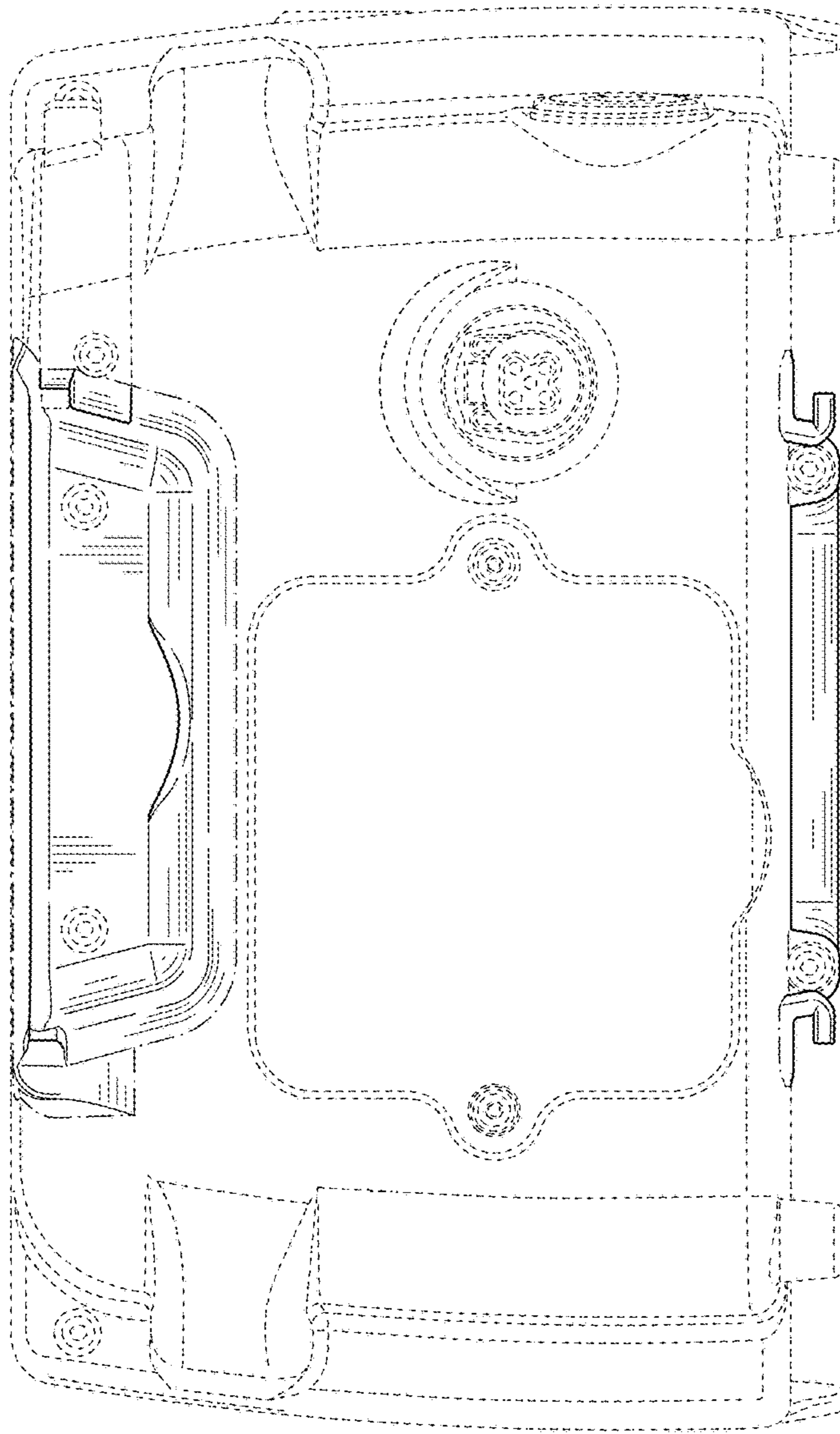


FIG. 12

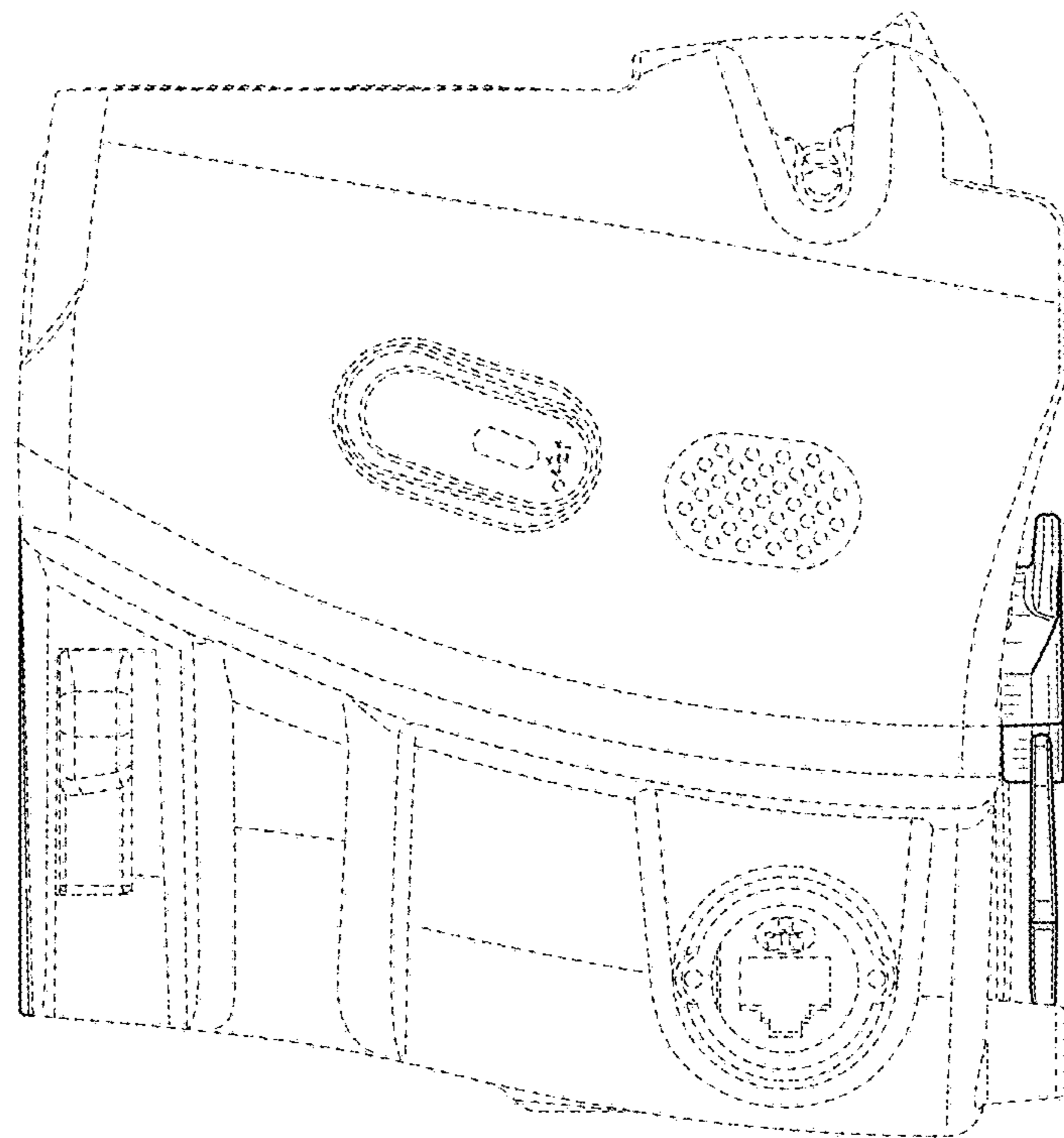


FIG. 13

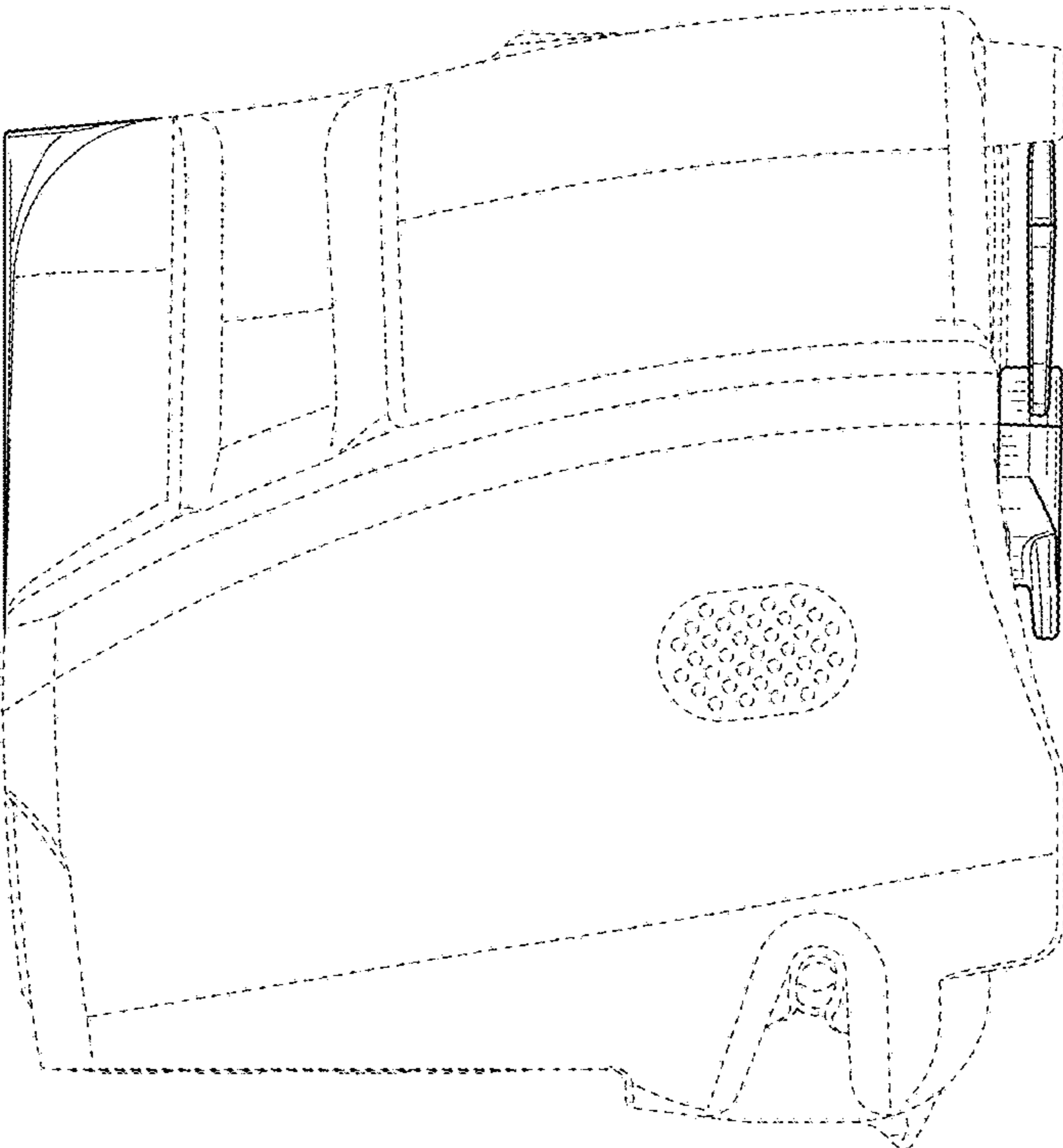


FIG. 14

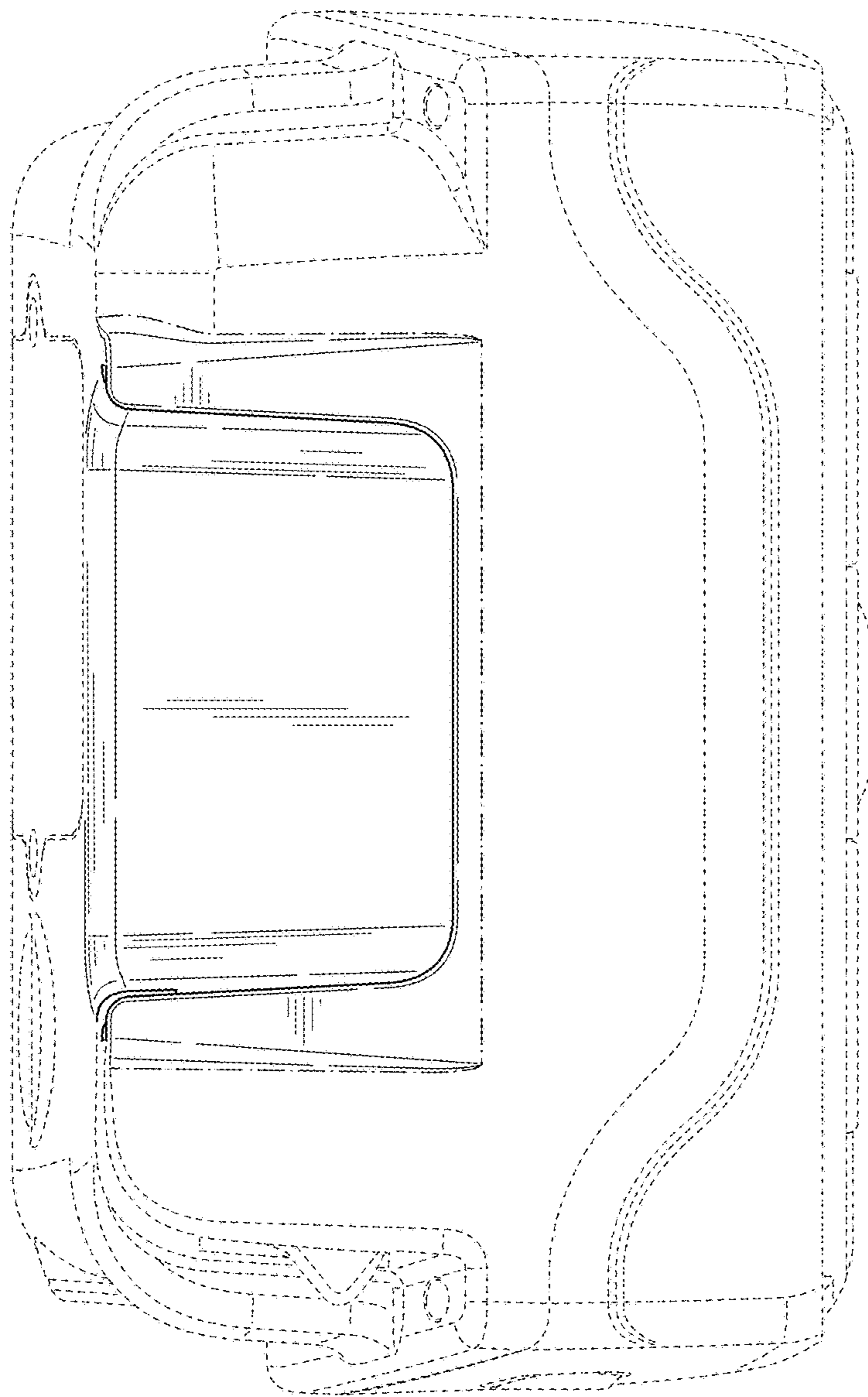


FIG. 15

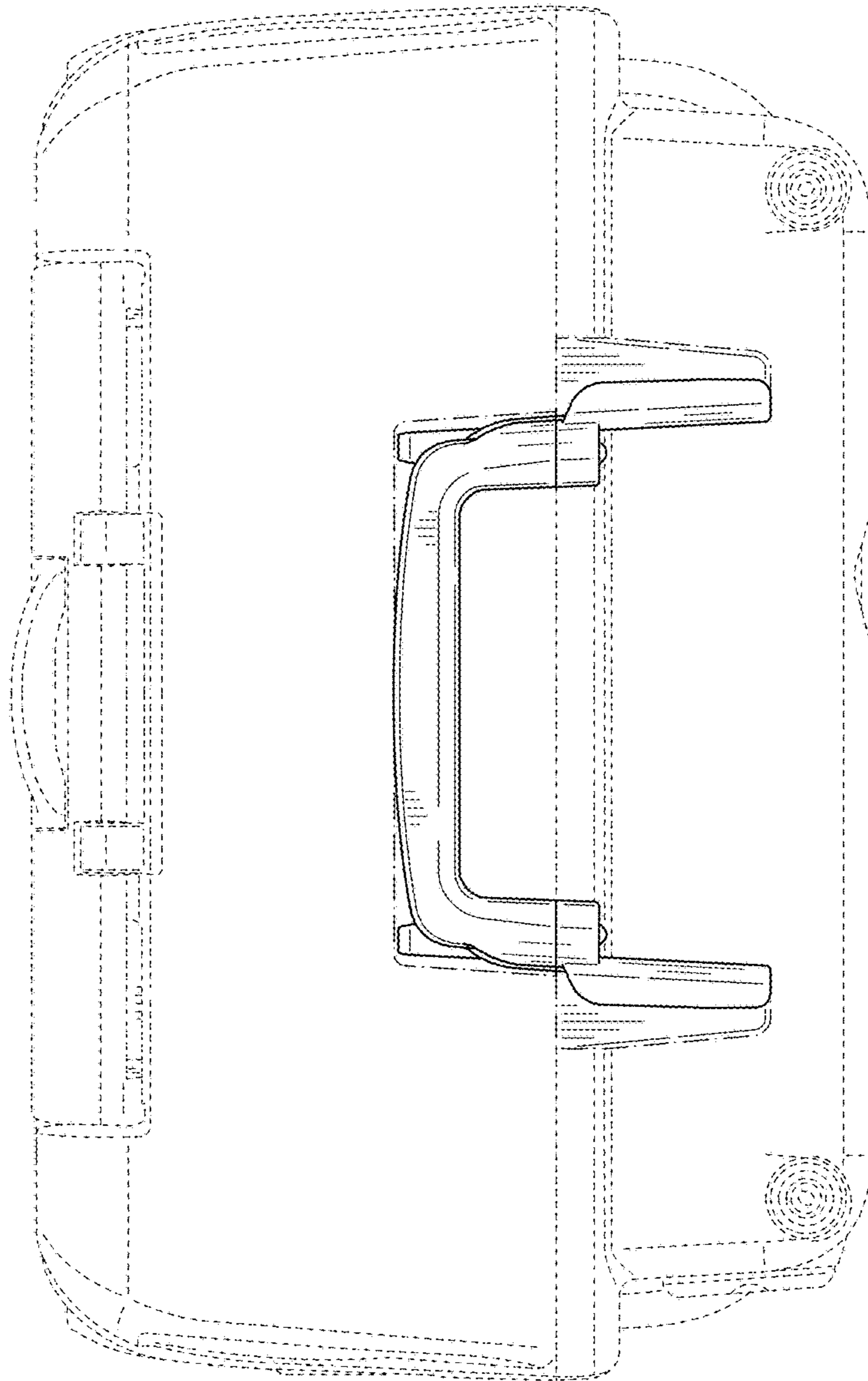


FIG. 16