



US00D840020S

(12) **United States Design Patent**
Howgill

(10) **Patent No.:** **US D840,020 S**

(45) **Date of Patent:** **** Feb. 5, 2019**

(54) **INHALER**

(71) Applicant: **3M INNOVATIVE PROPERTIES COMPANY**, St. Paul, MN (US)

(72) Inventor: **Stephen J Howgill**, Leicester (GB)

(**) Term: **15 Years**

(21) Appl. No.: **29/596,242**

(22) Filed: **Mar. 7, 2017**

(30) **Foreign Application Priority Data**

Sep. 7, 2016 (EM) 001452460

(51) **LOC (11) Cl.** **29-02**

(52) **U.S. Cl.**
USPC **D24/110**

(58) **Field of Classification Search**
USPC D24/107, 108, 110, 110.1-110.5, 127,
D24/164; D29/108; 128/200.14, 200.23
CPC A61M 15/0085; A61M 15/0005; A61M
11/005; A61M 11/00; A61M 11/02;
A61M 11/04; A61M 5/087; A61M
5/0871; A61M 5/091; A61M 5/097;
A61M 15/00; A61M 15/0065; A61M
15/0091; A61M 15/0021; A61M 15/0026;
A61M 15/008; A61M 15/007; A63B
23/18

See application file for complete search history.

(56) **References Cited**

U.S. PATENT DOCUMENTS

D660,410 S * 5/2012 Zuyderhoudt D24/110
D660,411 S * 5/2012 Zuyderhoudt D24/110
D769,436 S * 10/2016 Walsh D24/110
D769,437 S * 10/2016 Walsh D24/110
D782,651 S * 3/2017 Milton-Edwards D24/110

D783,147 S * 4/2017 Fosbury D24/110
D783,148 S * 4/2017 Fosbury D24/110
D783,150 S * 4/2017 Cottam D24/110
D783,151 S * 4/2017 Cottam D24/110
D783,152 S * 4/2017 Fosbury D24/110
D783,153 S * 4/2017 Cottam D24/110
D783,154 S * 4/2017 Fosbury D24/110
D783,155 S * 4/2017 Fosbury D24/110
D783,156 S * 4/2017 Milton-Edwards D24/110
D783,157 S * 4/2017 Milton-Edwards D24/110
D783,158 S * 4/2017 Milton-Edwards D24/110
D783,159 S * 4/2017 Fosbury D24/110
D783,804 S * 4/2017 Fosbury D24/110
D783,805 S * 4/2017 Milton-Edwards D24/110
D783,806 S * 4/2017 Milton-Edwards D24/110
D783,807 S * 4/2017 Fosbury D24/110

* cited by examiner

Primary Examiner — Karen E Kearney

Assistant Examiner — Aula Soroush

(74) *Attorney, Agent, or Firm* — Ted K. Ringsred

(57) **CLAIM**

The ornamental design for an inhaler, as shown and described.

DESCRIPTION

FIG. 1 is a perspective view showing the new design for an inhaler. As shown, the cover is in a closed position.

FIG. 2 is a front elevational view thereof;

FIG. 3 is a rear elevational view thereof;

FIG. 4 is a left side elevational view thereof, the right side view being a mirror image thereof;

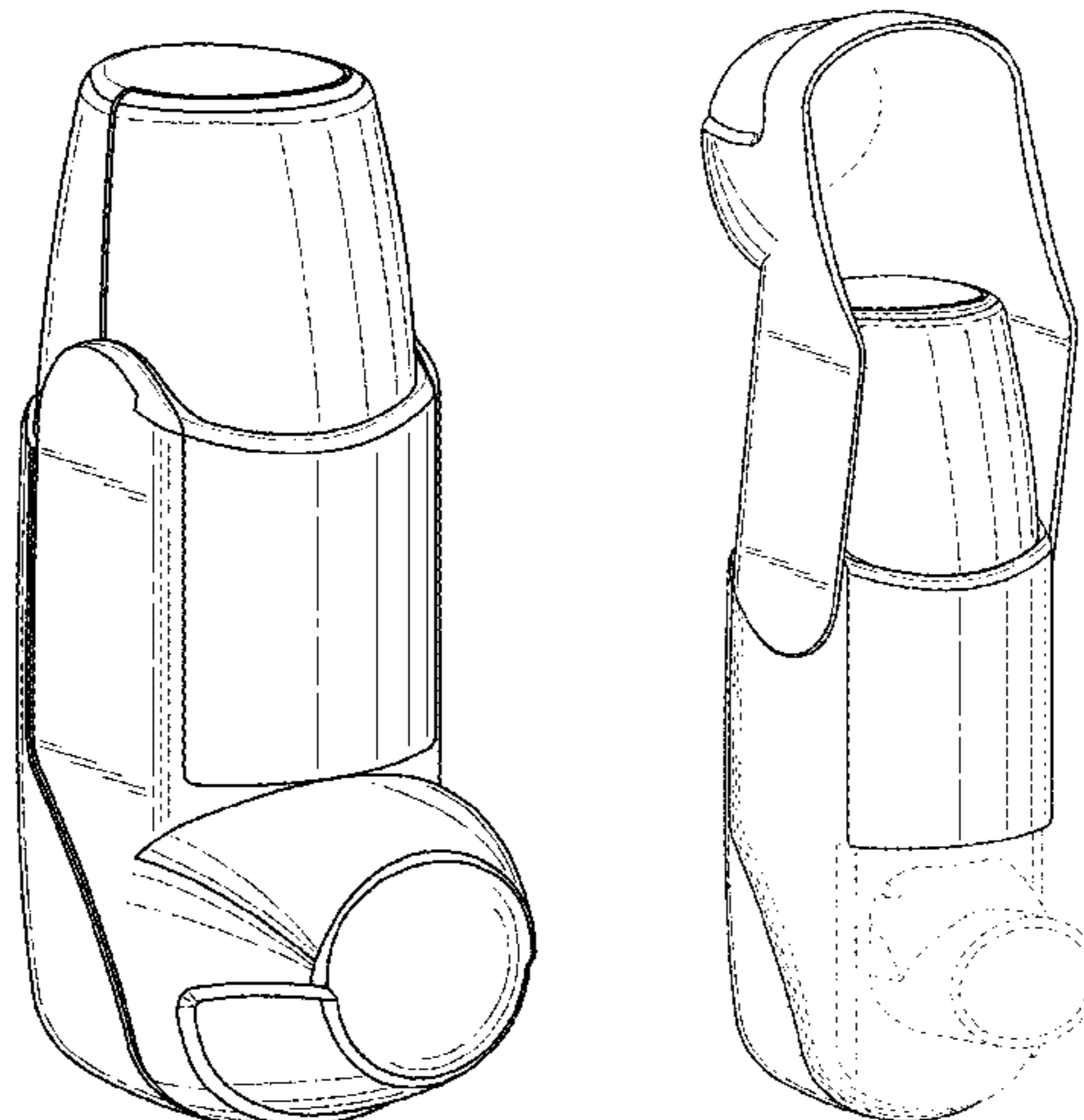
FIG. 5 is a top plan view thereof;

FIG. 6 is a bottom plan view thereof; and,

FIG. 7 is another perspective view thereof, with the inhaler cover shown in an open position.

The broken lines in the drawings illustrate portions of the inhaler that form no part of the claimed design.

1 Claim, 3 Drawing Sheets



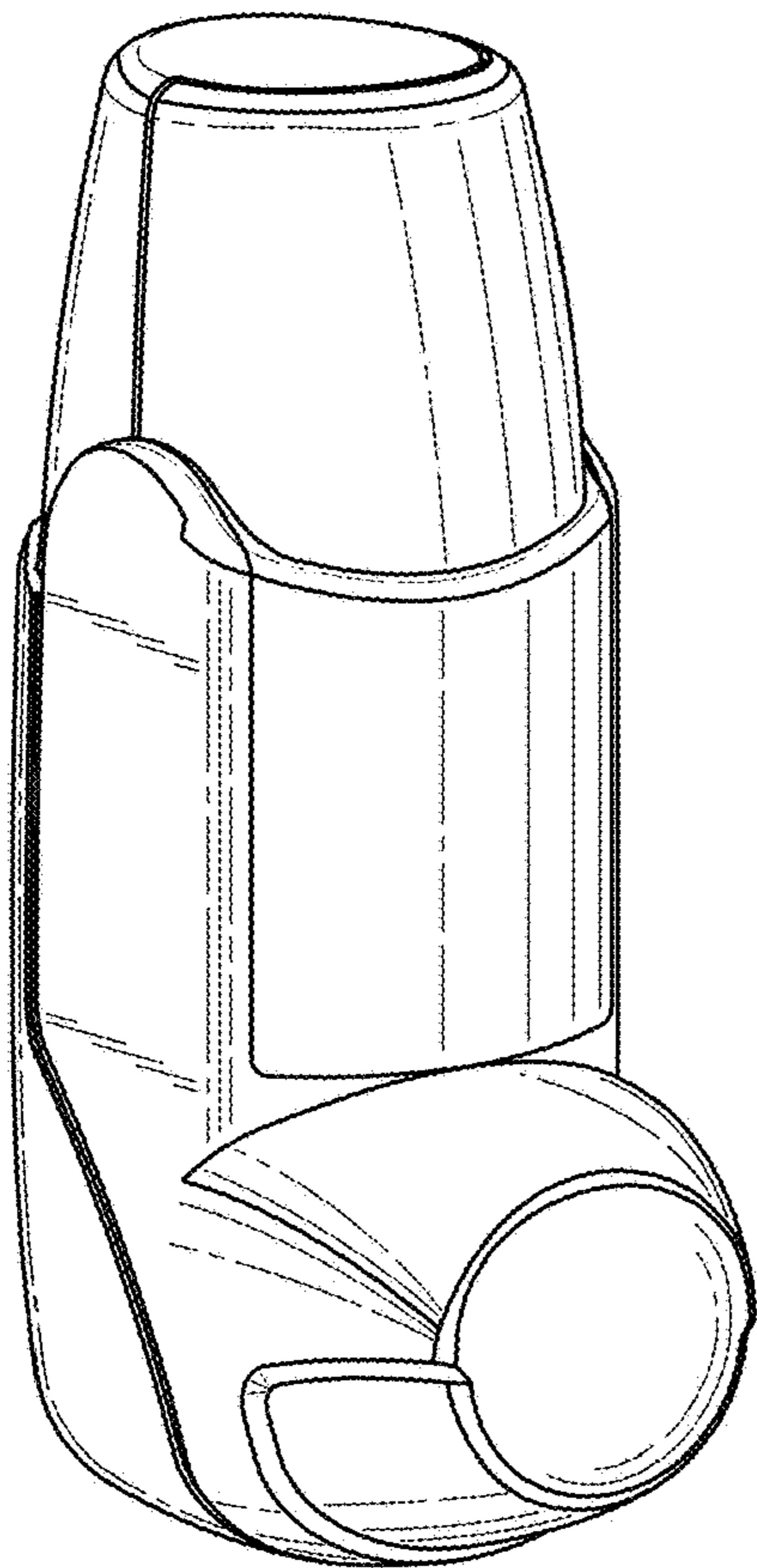


Fig. 1

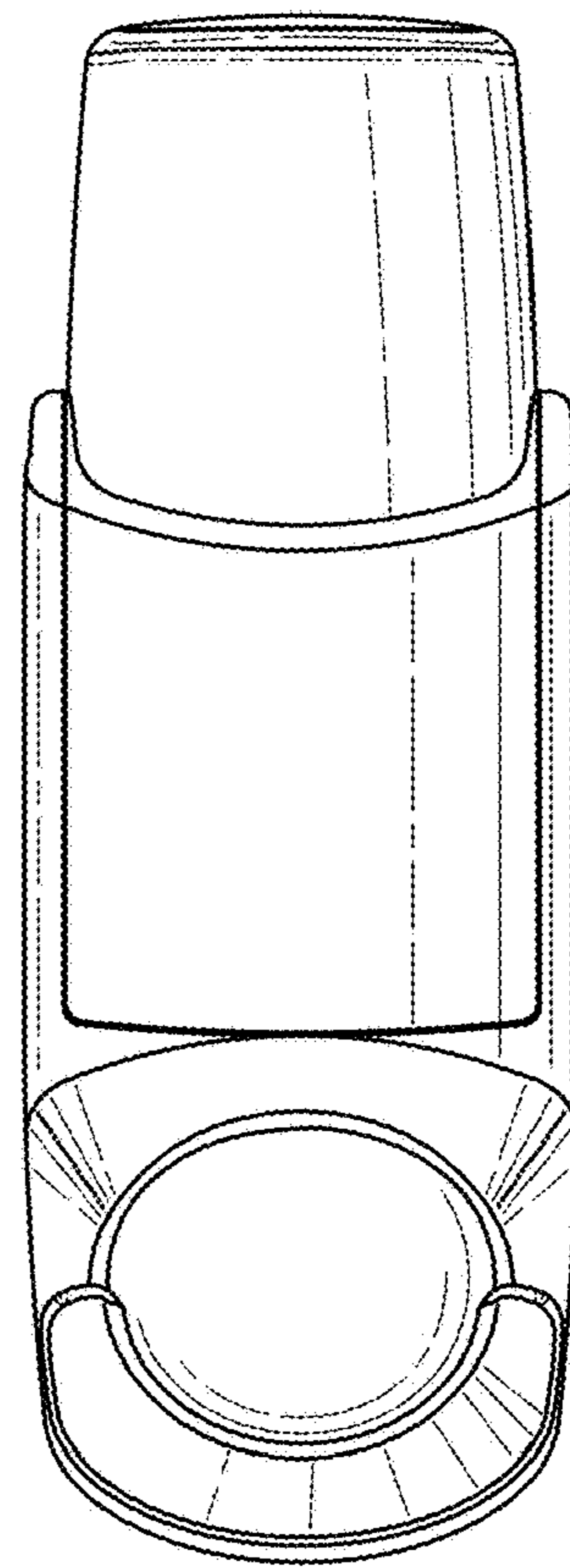


Fig. 2

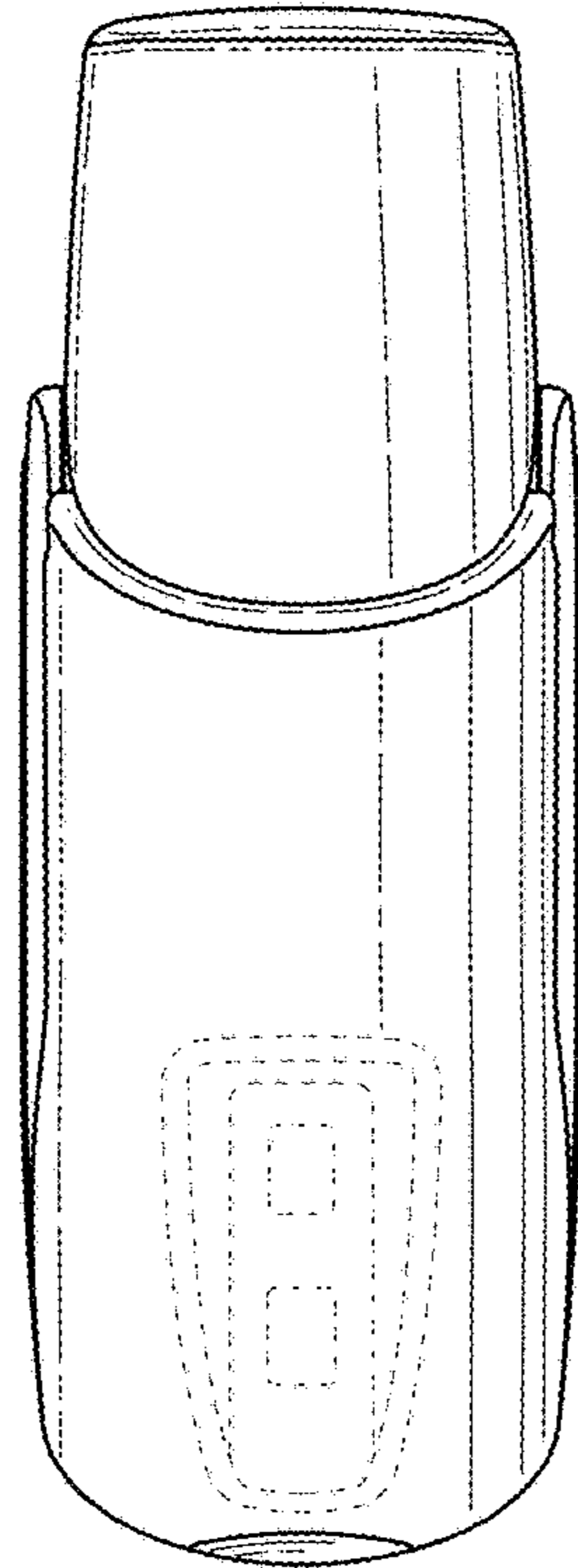


Fig. 3

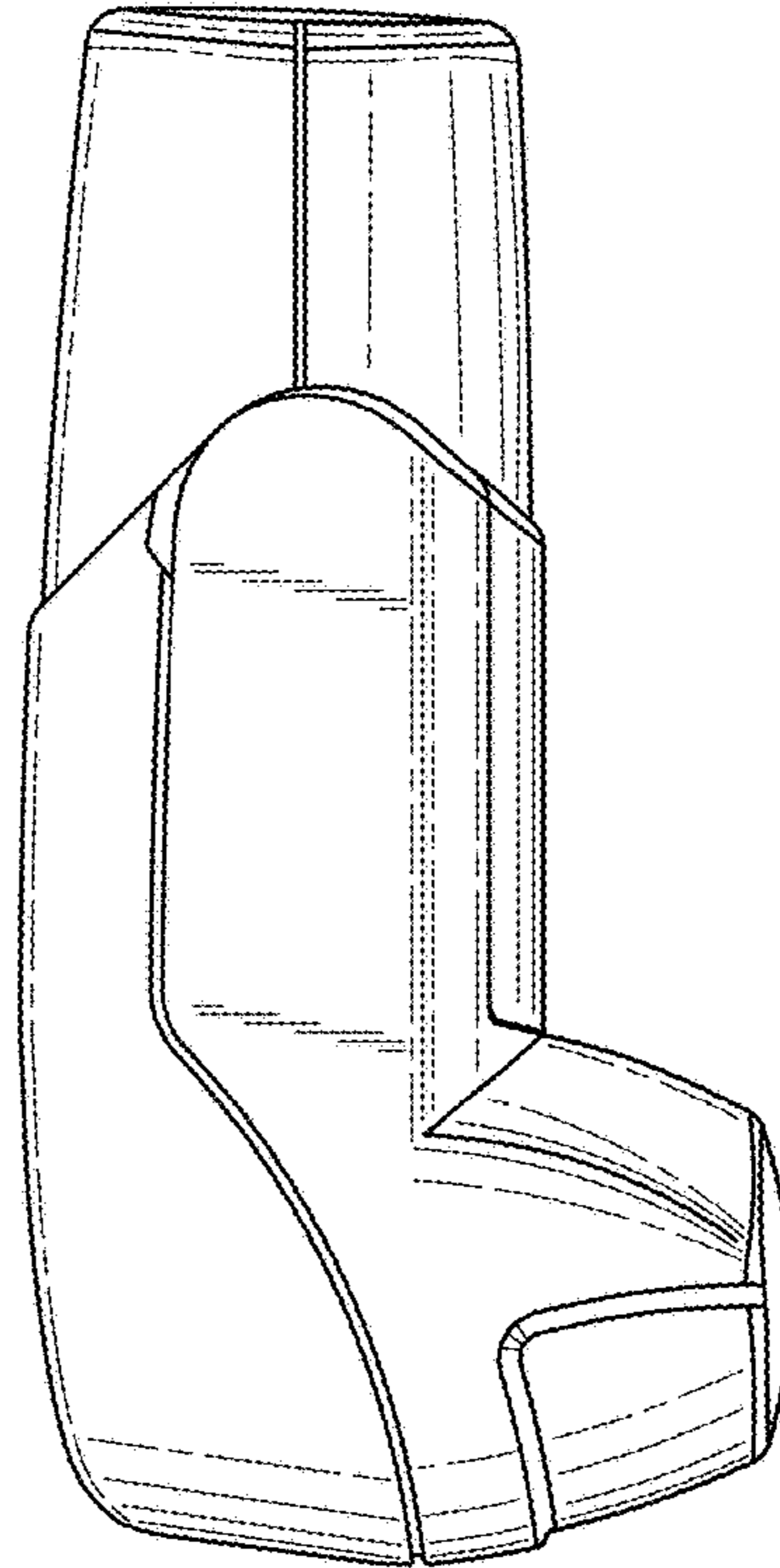


Fig. 4

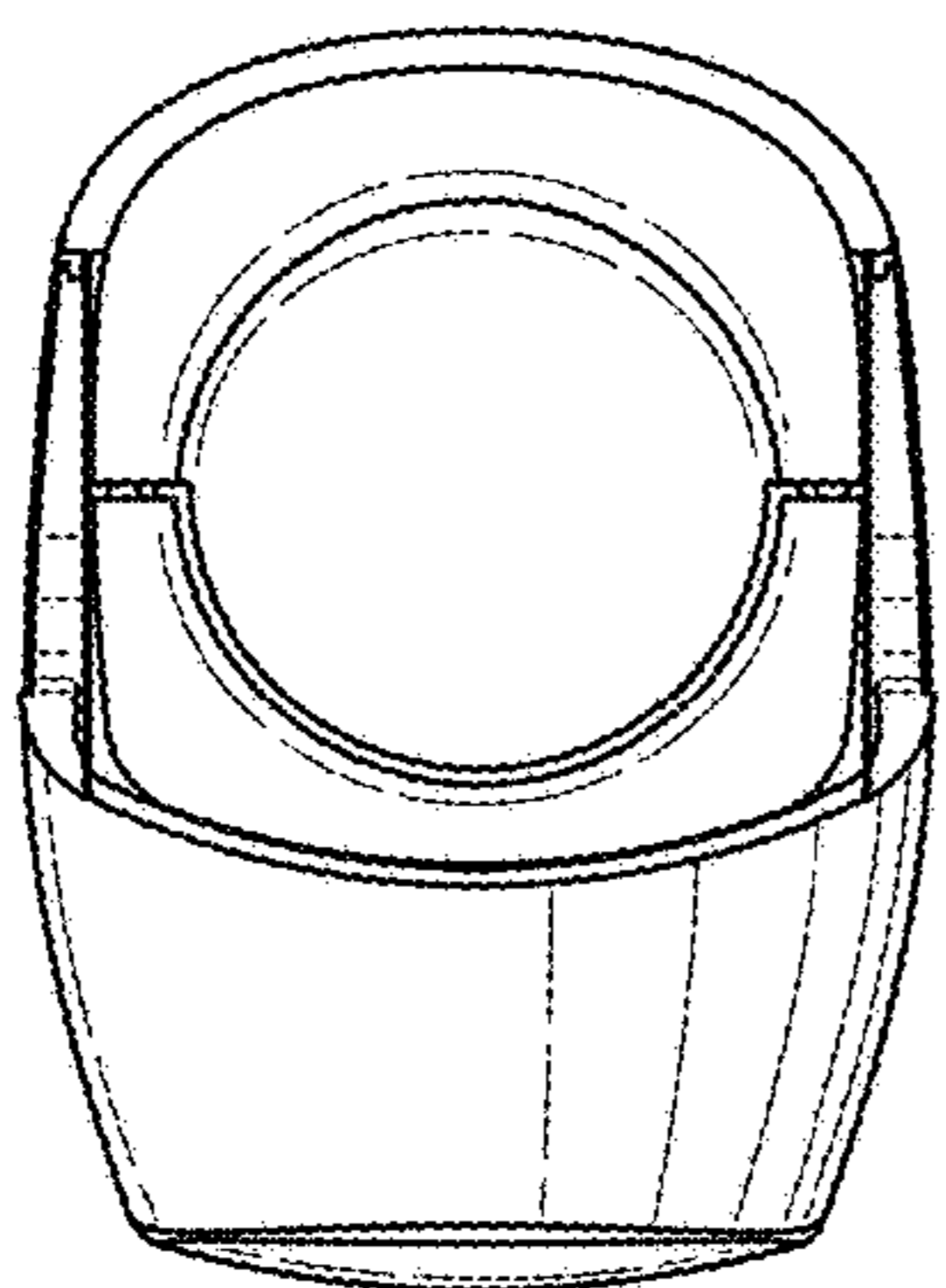


Fig. 5

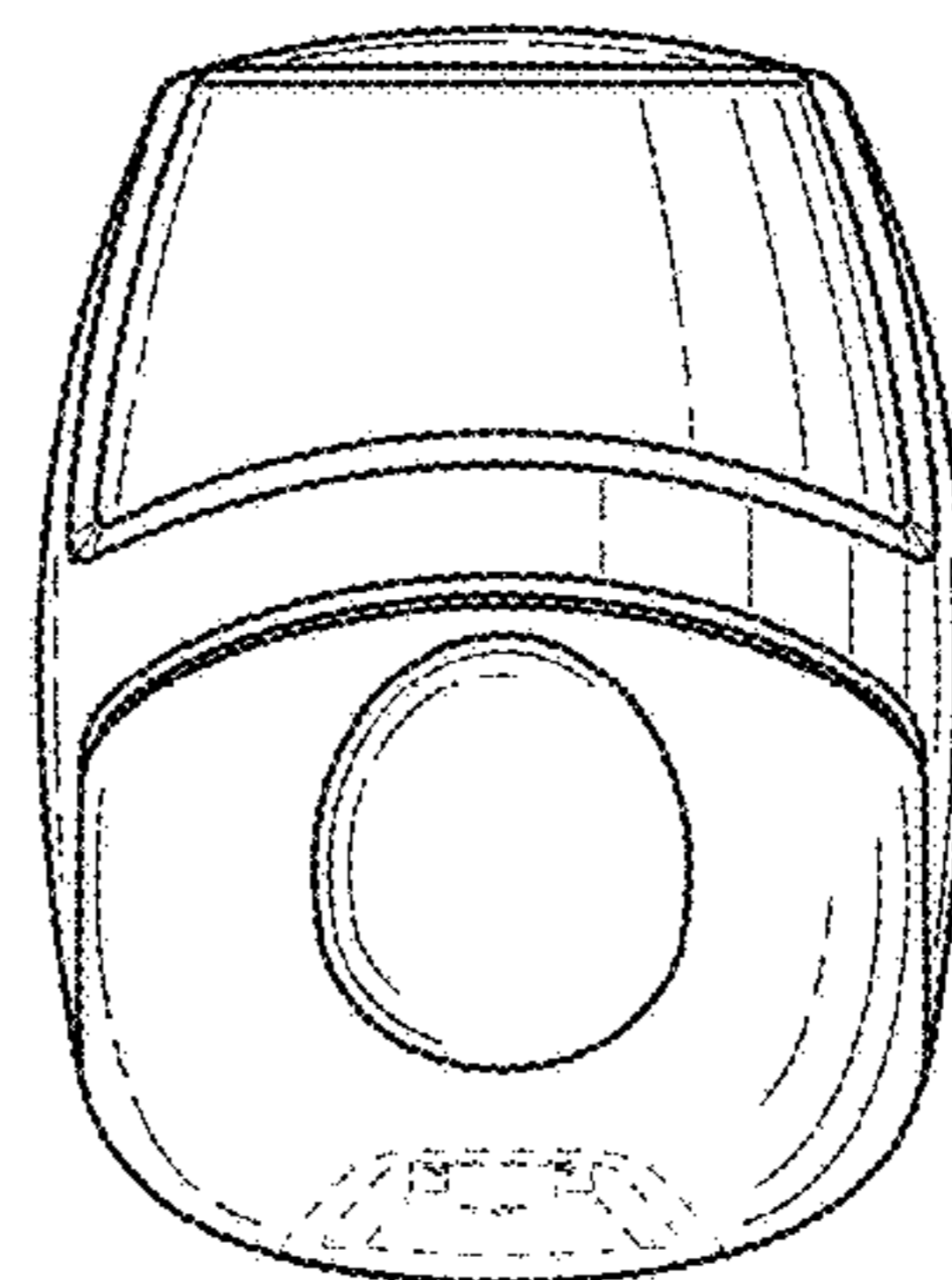


Fig. 6

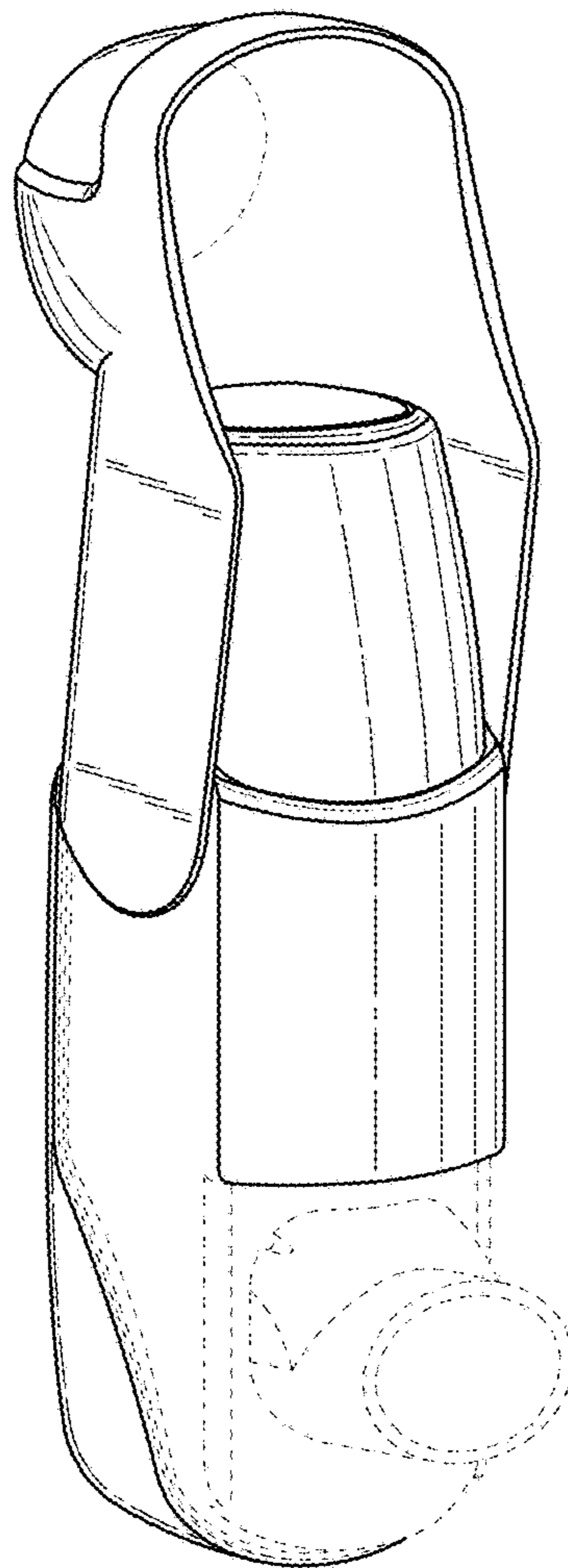


Fig. 7